

INSTALLATION INSTRUCTIONS AND PARTS LIST

MODEL 585254, 586254
54" O-MEGA STEPS
UNIVERSAL APPLICATION

1. READ INSTRUCTIONS COMPLETELY AND CHECK TO MAKE SURE THAT ALL REQUIRED PARTS (LISTED ON THE SERVICE PARTS LIST) ARE ON HAND BEFORE STARTING THE INSTALLATION.
2. FOLLOW THE INSTRUCTIONS INCLUDED WITH THE SPECIFIC BRACKET PACKAGE THAT YOU ARE USING, TO MOUNT THE BRACKETS TO YOUR VEHICLE.
3. BEFORE ATTACHING THE O-MEGA STEPS TO THE BRACKETS, MOUNT THE STEP PADS (ITEM #2) TO THE STEP PLATES USING THE 1/2" TEK SCREWS (ITEM #6) PROVIDED. POSITION THE STEP PAD ACCORDINGLY FOR YOUR VEHICLE. WHEN INSTALLING THE PADS ON THE STEPS, DRILL AND INSTALL THE TWO CENTER SCREWS FIRST. IF INSTALLING THE PADS WHEN THE TEMPERATURE IS AROUND 70° F., MAKE SURE THE SCREWS IN THE END SLOTTED HOLES ARE IN THE MIDDLE OF THE SLOT. WHEN TURNING IN THE SCREWS, TURN THEM IN SNUG THEN BACK OFF A ¼ TURN. PLASTIC WILL EXPAND WHEN IT IS HOT AND CONTRACT WHEN IT GETS COLD AND THE SLOT WILL ALLOW THIS TO HAPPEN WITHOUT RISING UP BETWEEN THE SCREWS.
4. INSTALL THE REQUIRED NUMBER OF SQUARE HEAD SCREWS (ITEM#4) INTO THE DESIGNATED SLOTS IN THE BOTTOM OF THE STEP PLATES.
5. INSTALL THE END CAPS (ITEM #3) AS SHOWN IN (FIG.1), TIGHTENING THE SERRATED NUTS (ITEM#5) TO 5 LB FT.
6. POSITION THE O-MEGA STEP ON THE MOUNTING BRACKETS SO THAT THE SQUARE HEAD SCREWS (ITEM #4) ARE LOCATED IN THE SLOTS OF THE MOUNTING BRACKETS AND THE STEP IS CENTERED, SIDE TO SIDE, ON THE VEHICLE. INSTALL 5/16" SERRATED FLANGE NUTS (ITEM #5) ON THE SQUARE HEAD SCREWS (ITEM #4) AND TIGHTEN TO 19 LB FT.

SERVICE PARTS LIST

ITEM	PART NO.	QTY	DESCRIPTION
1	107959	1	EXTRUSION-AL, 51.00"OMEGA STP, SATIN
1	551949	1	EXTRUSION-AL, 51.00"OMEGA STP, BLACK
2	107957	2	PAD-STEP PLATE, 4.50 X 20.00
3	107956	2	CAP-END,PLSTC,2.95 X 6.70
4	106880	8	SCREW-SQ HD,5/16-18 X 1,MAGNIGUARD
5	102680	8	NUT-SERR FLG,HX,SST,WX,5/16-18
6	107958	12	SCREW-PPH,TEK,#8-18 X 1/2",SST,BZP



(A LUVERNE Company)

1200 E. Birch St.

Brandon, SD 57005

552518 SHEET 1 OF 2 13JUN14

SERVICE PARTS LIST

PACKAGE NO. - 585254
PACKAGE NO. - 586254

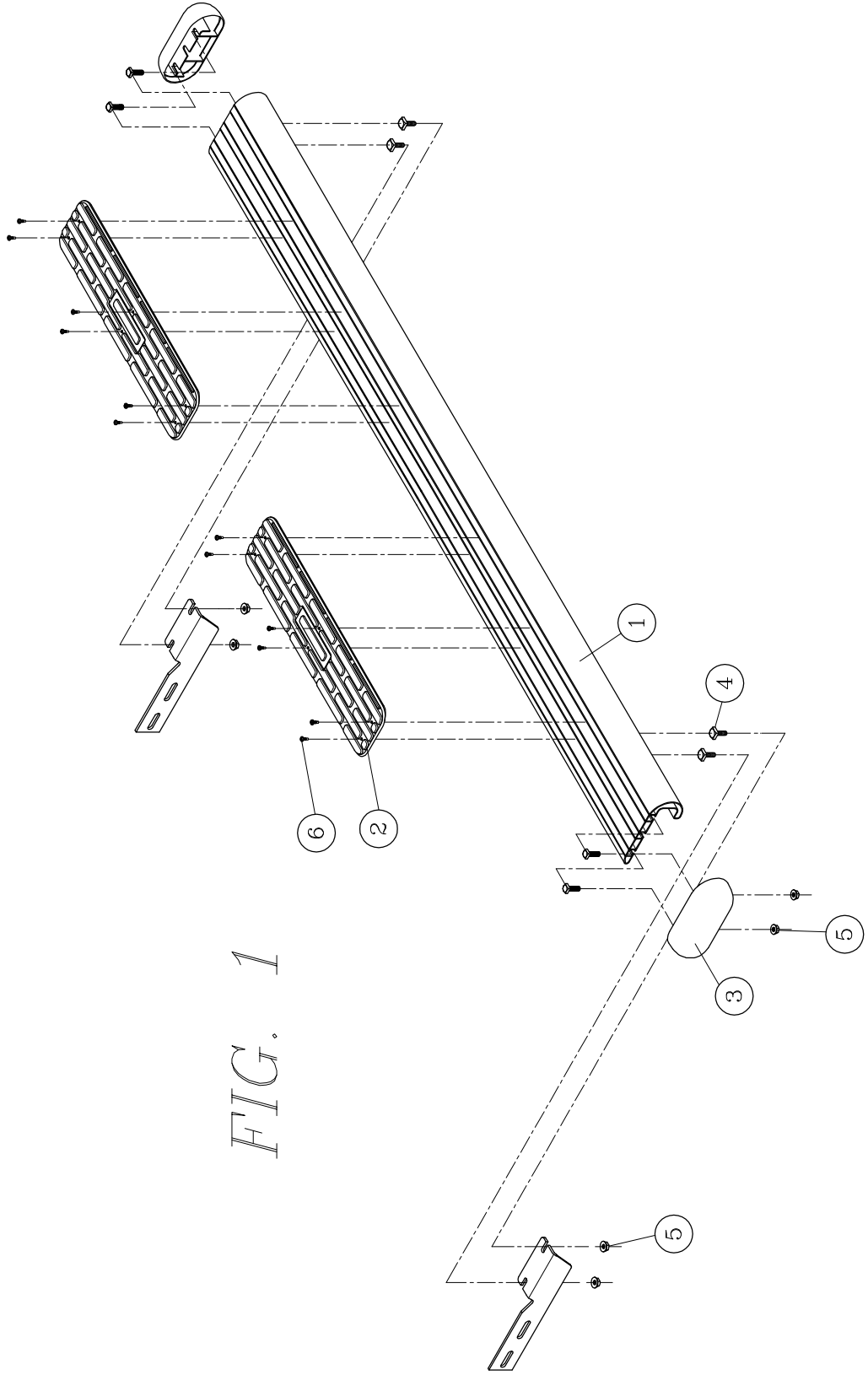


FIG. 1

INSTALLATION INSTRUCTIONS AND PARTS LIST

APPLICATION: 570748 REAR STEP BRACKETS:

APPLICATION: 07+ SPRINTER VANS

1. READ INSTRUCTIONS COMPLETELY AND CHECK TO MAKE SURE THAT ALL REQUIRED PARTS (LISTED ON SERVICE PARTS LIST) ARE ON HAND BEFORE STARTING THE INSTALLATION.

NOTE: THIS WILL NOT FIT WITH THE FACTORY RECEIVER HITCH.

2. ON THE LEFT SIDE OF THE VEHICLE LOCATE THE MOUNTING HOLES ON THE REAR FRAME OF THE VEHICLE. USING FOUR (4) 7/16"-14 X 4" BOLTS (ITEM #4), FOUR (4) 7/16" FLAT WASHER (ITEM #5) AND FOUR(4) 7/16"-14 FLANGE NUTS (ITEM #6) INSTALL THE UPPER MOUNTING BRACKET (ITEM #1). TIGHTEN BOLTS TO 19 LB. FT.
3. USING FOUR (4) 3/8"-16 X 1" BOLTS (ITEM #7), FOUR (4) 3/8" FLAT WASHERS (ITEM #8) AND FOUR (4) 3/8"-16 FLANGE NUTS (ITEM #9) INSTALL THE LOWER MOUNTING BRACKET (ITEM #2). **NOTE: DO NOT TIGHTEN AT THIS TIME.**

NOTE: WHEN INSTALLING GRIP STEPS IT IS RECOMMENDED THAT THE LOWER BRACKET IS ALL THE WAY OUT AND MOUNTED IN THE LOWER SET OF HOLES, AND WHEN INSTALLING MEGA/O-MEGA STEPS THAT THE LOWER BRACKET IS SLID ALL THE WAY IN AND MOUNTED IN THE UPPER SET OF HOLES.

4. REPEAT STEPS 1 – 3 FOR THE RIGHT SIDE OF THE VEHICLE.
5. ATTACH THE STEP BOARD PER THE STEP BOARD INSTRUCTIONS. **NOTE: ONLY HAND TIGHTEN STEP BOARD BOLTS AT THIS TIME.**
6. ENSURE THAT THE STEP IS LEVEL AND POSITIONED CORRECTLY AND TIGHTEN ALL REMAINING BOLTS TO 19 LB. FT.

SERVICE PARTS LIST

ITEM	PART NO.	QTY	DESCRIPTION
1	552599	2	MOUNTING BRACKET – UPPER, 570748
2	552600	1	MOUNTING BRACKET – LOWER, RH, 570748
3	552601	1	MOUNTING BRACKET – LOWER, LH, 570748
4	103773	8	SCREW – HEX HEAD, 7/16"-14 X 4", ZP
5	100081	8	WASHER – FLAT , 7/16", ZP
6	103737	8	NUT – HEX, SERR FLANGE, 7/16"-14, ZP
7	100040	8	SCREW – HEX HEAD, 3/8"-16 X 1", ZP
8	100062	8	WASHER – FLAT, 3/8", ZP
9	100181	8	NUT – HEX, SERR FLANGE, 3/8"16, ZP



SERVICE PARTS LIST
 MODEL NO. - 570748

FIG. 1

