

MBRP

MBRP Muffler Installation Instructions

235T211

2014-UP
2020

Arctic Cat 6000
Yamaha Transporter 600

Note: Local regulations may limit or prohibit modification to your snowmobile's emissions system and/or the sound levels that it generates. It is your responsibility to be aware of restrictions that may apply to your intended use of this product.

1. Remove the springs securing the stock muffler. (Place the springs safely aside so they can be reused.)
2. Remove the expansion chamber to allow for easy removal of the stock muffler.
3. Remove the rubber bushings from the stock muffler and transfer them onto the MBRP muffler.
4. Install the MBRP muffler in the same location as the stock muffler, then reinstall the expansion chamber, reusing the stock gasket.
5. Reuse the stock springs to secure the muffler at the provided locations. The spring extension is needed at the front-upper attachment location. If necessary, loosen the rearward spring tab on the vehicle frame, and rotate it away from the muffler (as shown in **Figure 2**) to create more spring tension at this location. Retighten the spring tab in place.
6. Replace the expansion chamber springs and the hood.

NOTE: To avoid exhaust leaks use a high heat silicone to seal all connections between the expansion chambers and the muffler. Monitor the exhaust for leaks during the first 200 miles after your installation and re-apply silicone where necessary. We suggest having your local snowmobile mechanic or performance shop install this product.

CAUTION: **DO NOT** touch the muffler while the snowmobile is running or shortly after it has run, as it may result in personal injury.

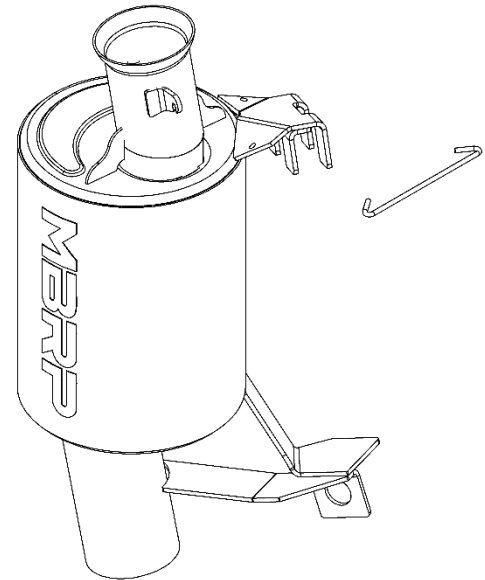


Figure 2

MBRP Ltd. warranty applies for a two (2) year period from the date of purchase to defects in product material and workmanship and is to the original purchaser on record and for the original vehicle for which it was designed and installed. This warranty is limited, at MBRP Ltd.'s sole determination, to the repair or replacement of defective product only and does not include the cost of removal or re-installation, damage by accident, abuse, misuse or misapplication or any consequential damages however they may arise. Determination of warranty coverage shall be at the discretion of an authorized MBRP Ltd. quality engineer.