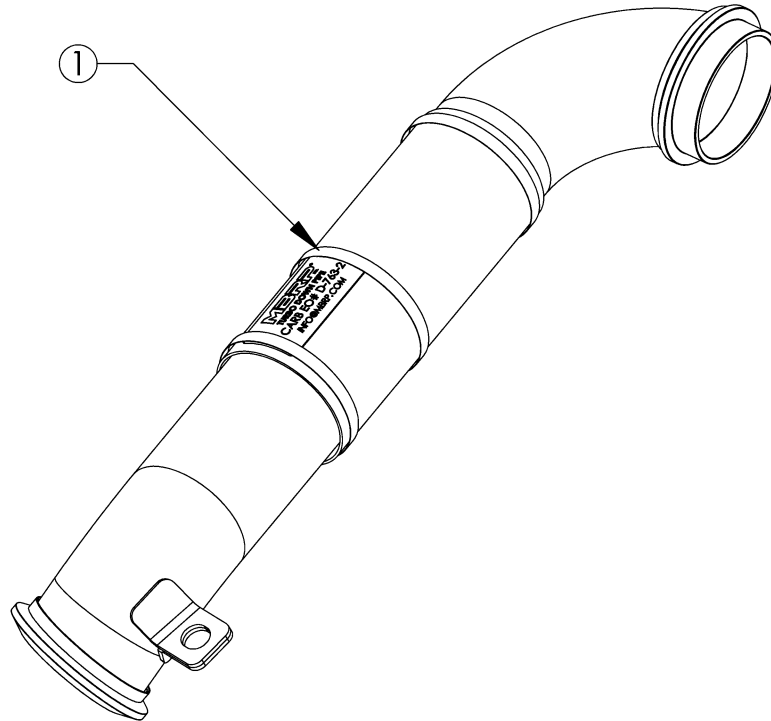


# GMCA424

2004 1/2-2010 CHEV/GMC DURAMAX 6.6L, 3"  
DOWN PIPE

CARB EO# D-763-2

# MBRP



ITEM	DESCRIPTION	QTY
1	DOWN PIPE	1

## PLEASE READ BEFORE STARTING INSTALLATION

While MBRP has made every effort to ensure that all components of this system are of superior quality and properly packaged, it is the installer's responsibility to ensure the following before removal of the factory exhaust:

- that ALL components shown above are present.
- that ALL mating components fit together.
- that there are no damaged components.
- that the system you have purchased is appropriate for your vehicle year, model and configuration.
- that the system will not interfere with any modifications previously installed or planned.
- that you have read and understand these instructions.

If you have any questions or are uncertain about any aspect of the installation of this system to your vehicle please contact your dealer before commencing installation.

# MBRP



**Figure 1**



**Figure 2**



**Figure 3**



**Figure 4**



1. Secure the vehicle on jack stands.
2. Remove the right front wheel.
3. Remove the right front inner wheel well liner.
4. Loosen the band clamp that connects the down pipe to the front pipe. Retain the band clamp for installation. **Refer to Figure 1.**
5. Remove the bolt securing the down pipe to the exhaust manifold. **Refer to Figure 2.**
6. Remove the bolts from rear of the front pipe located behind torsion bar cross member.
7. Remove the front pipe from the Vehicle.
8. Loosen the two nuts that retain the transmission dipstick to engine block. Remove the dipstick tube from the transmission and remove from the vehicle.
9. Remove the dipstick from the transmission. **Refer to Figure 3.**
10. Remove the three bolts at the top of the turbo heat shield and rotate to rear. This will allow access to the top band clamp of the down pipe. If the clamp is rotated to the bottom you may need to remove the bolts from the computer module located to the driver side of turbo to allow access to the upper band clamp. Retain the fasteners for installation. **Refer to Figure 4 & 5.**
11. Loosen the upper band clamp on the down pipe.
12. With the band clamp removed apply slight pressure to the down pipe pushing from the turbo exhaust housing.

# MBRP



**Stock Down Pipe Figure 6**



**Figure 7**

13. Remove the factory down pipe from underside of the vehicle between the frame and transmission. **Figure 6** shows the stock down pipe removed.
14. Feed the MBRP **Down Pipe** into area between the Transmission and the Frame.
15. Insert the **Down Pipe** into the exhaust housing of turbo completely until the flange on the turbo and **Down Pipe** are flush.
16. Loosely fit the band clamp on the upper turbo and down pipe connection to keep the **Down Pipe** from falling out but allowing it to rotate slightly. **Refer to Figure 7.**
17. Reinstall the transmission dipstick into the transmission and the two nuts to the back of the bell housing.
18. Secure the **Down Pipe** to the bracket on the exhaust manifold using the original bolt.  
Reinstall the front pipe to the rear exhaust.
19. Reinstall the band clamp securing the front pipe to the **Down Pipe**.
20. Tighten the upper band clamp securing the **Down Pipe** to the turbo housing.
21. Replace the upper heat shield and secure it using the original bolts and reinstall the electronic module if needed.
22. Start the vehicle to check for exhaust leaks.
23. Reinstall the inner fender liner and wheel.

**Congratulations!** Thank you for making MBRP your choice. We know you will enjoy your purchase.