

2007-2010 GM SILVERADO 6.6L BLACK

Warning: When working on, under, or around any vehicle exercise caution. Please allow the vehicle's exhaust system to cool before removal, as exhaust system temperatures may cause severe burns. If working without a lift, always consult vehicle manual for correct lifting specifications. Always wear safety glasses and ensure a safe work area. Serious injury or death could occur if safety measures are not followed.

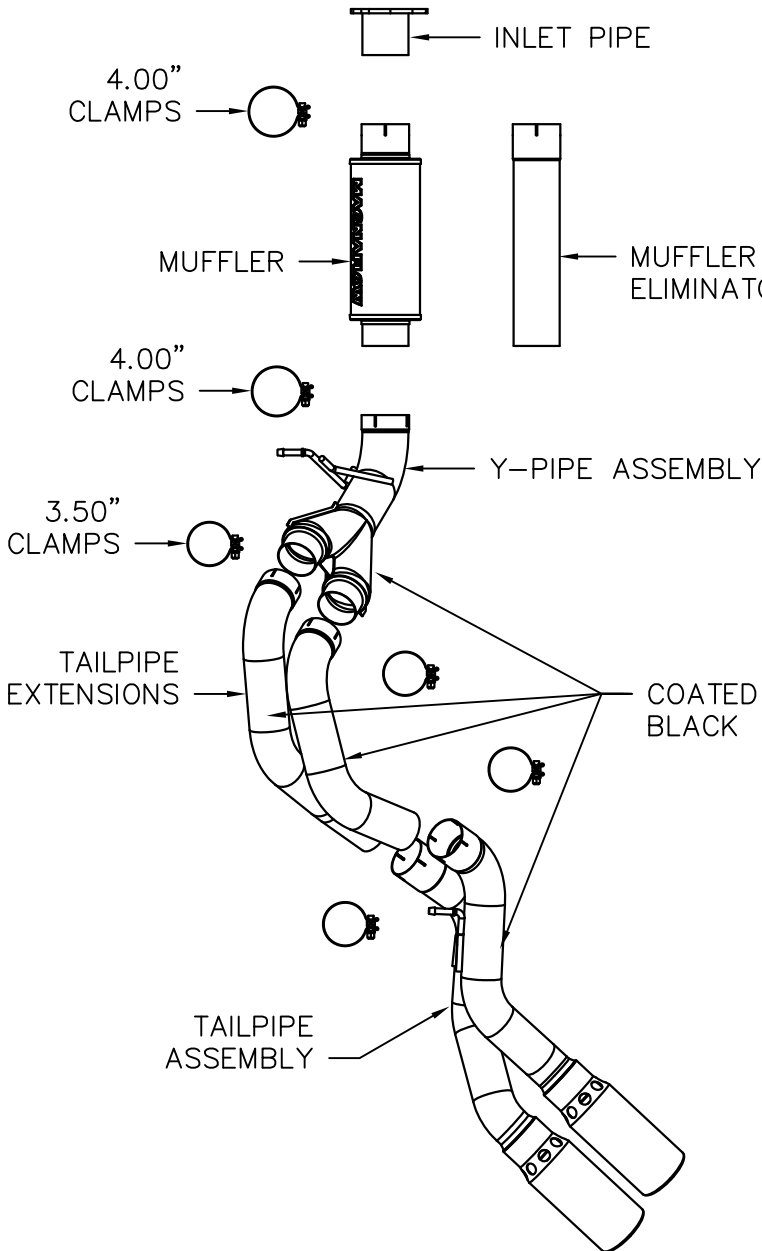
Step 1: (Carefully read all instructions before installation)

Disconnect the vehicle's battery before removal of the OEM exhaust. This will allow the computer to reset itself with the new system, and prevent electrical accidents. To remove the OEM system, you will need to cut the tailpipe just behind the OEM muffler. You can then unbolt the muffler at the 3-bolt flange, and disengage the welded tailpipe hangers from the rubber insulators. Do not damage or discard the OEM gasket, fasteners, or rubber insulators, as they will be reused to mount the new system.

Step 2: Install the new inlet pipe using the OEM gasket and supplied fasteners, but leave all clamps and fasteners loose for final adjustment of the complete system. Install the new muffler or eliminator pipe and Y-pipe assembly using the supplied 4.00" clamps and by fitting the welded hangers into the rubber insulators. Install the tailpipe extensions and tailpipe assembly in a similar fashion using the supplied 3.50" clamps. The driver-side extension pipe has 3 bends, and is longer than the passenger-side.

Step 3: With all components mounted loosely, adjust the system for overall aesthetics and clearance of frame & bodywork. (MAGNAFLOW recommends at least 1/2" of clearance between the exhaust system and any body panels to prevent heat-related body damage or fire.)

Step 4: Once a final position has been chosen for the new system, evenly tighten all fasteners from front to rear. The supplied band clamps must be VERY tight to properly align the pipes and prevent leaks (Approximately 40ft-lbs). U-bolt clamps should be tightened to approximately 30-35ft-lbs. Inspect all fasteners after 25-50 miles of operation and retighten if necessary.



*MAGNAFLOW Performance Exhaust recommends professional installation on all their products