



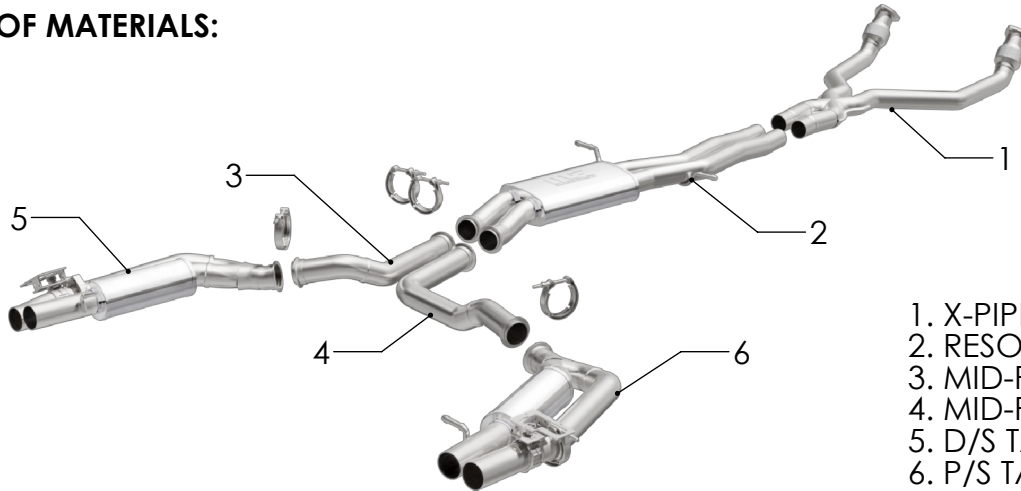
INSTALLATION INSTRUCTIONS



2014-2016 AUDI RS7 4.0L

PART NO. 19306

BILL OF MATERIALS:



- 1. X-PIPE ASSEMBLY
- 2. RESONATOR ASSEMBLY
- 3. MID-PIPE D/S
- 4. MID-PIPE P/S
- 5. D/S TAIL PIPE ASSEMBLY
- 6. P/S TAIL PIPE ASSEMBLY



WEAR SAFETY GLASSES



READ INSTRUCTIONS THOROUGHLY BEFORE INSTALLING PRODUCT



SPRAY LUBRICANT

To ease removal of existing exhaust components (especially on older vehicles) spray penetrating lubricant on all fasteners and hangers/insulators that will be loosened or removed and let soak before disassembly.

HARDWARE KIT:

- 1. [4] 2.50" V-Band Clamp
- 2. [6] M5 x 20mm Bolt
- 3. [6] M5 Nut
- 4. [6] M5 Lock Washer

MINIMUM REQUIRED TOOLS:



12, 14, 15 mm



Hanger Tool (Or Pry Bar)

MAGNAFLOW RECOMMENDS PROFESSIONAL INSTALLATION ON ALL THEIR PRODUCTS



WARNING: When working on, under, or around any vehicle exercise caution. Please allow the vehicle's exhaust system to cool before removal, as exhaust system temperatures may cause severe burns. If working without a lift always consult vehicle manual for correct lifting specifications. Always wear safety glasses and ensure a safe work area. Serious injury or death could occur if safety measures are not followed.

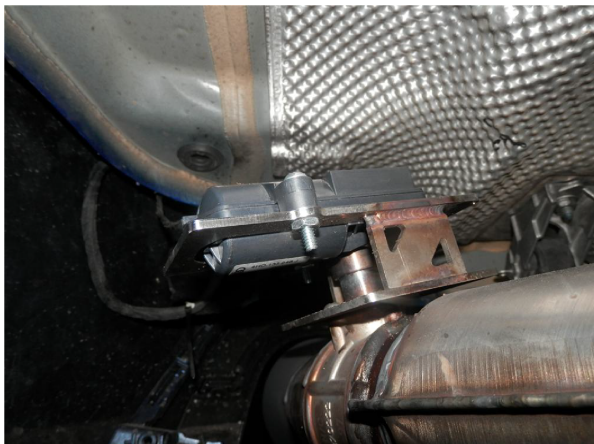
ATTENTION: Always install any supplied band or U-bolt clamps to the proper torque specifications of 40-45 ft-lb for band clamps and 30-35 ft-lb for U-bolt clamps. Over tightening will result in the clamps breaking and will NOT be warranted by MagnaFlow.

MAGNAFLOW: 1901 Corporate Centre Dr - Oceanside, CA 92056 | 1(800)990-0905

Technical Support: 1(800) 959-9226 | Email: moreinfo@magnaflow.com

INSTALLATION INSTRUCTIONS

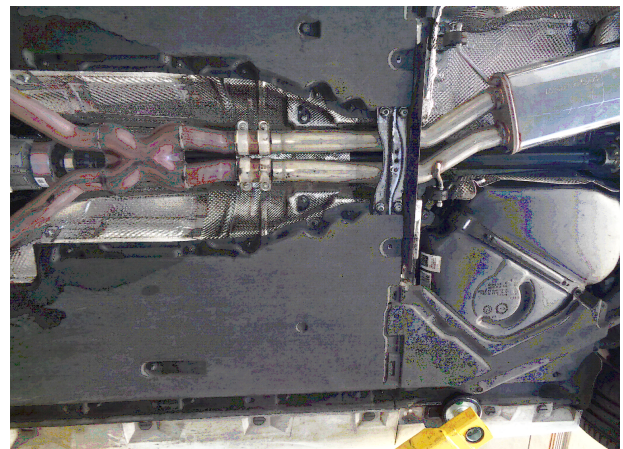
Step 1. To remove the OEM exhaust system you will need to remove the cross braces/stiffener and unplug the electronic exhaust control valves at the rear of the vehicle . Start by unfastening the 3 bolt flanges of the forward Driver and Passenger side resonators. Working rearward disengage the hangers from the rubber insulators (retain rubber insulators and OEM clamps and fasteners) and remove the system.



Step 2. Once the OE system is on the ground you will need to swap the servo motors from the factory control valves to the control valves on the Magnaflow Tip Assemblies. Use the new supplied hardware to attach the servo motors to the valves. At this point remove and retain the OE slip clamps to use on the new system.



Step 3. Begin installation of the new system by fastening the X-Pipe Assembly inlets to the catalytic converter outlets using the OE fasteners (Leave all clamps and fasteners loose for final adjustment of the complete system.)



Step 4. Next attach the Resonator Assembly to the X-Pipe Assembly using the OEM clamps and fitting the hangers into the rubber insulators

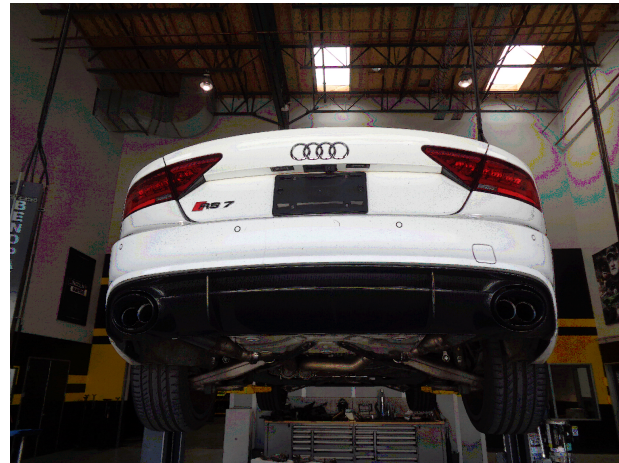
INSTALLATION INSTRUCTIONS



Step 5. Next attach the Mid Pipes to the outlets of the Resonator Assembly using the supplied V-Band clamps. ****NOTE:** Take care when using the V-Band Clamps, they are designed for one time use only. Once the clamp is tightened it can not be reused.



Step 6. Finish by installing the Muffler Assemblies to the outlets of the Mid Pipes using the supplied V-Band clamps and positioning into the openings of the rear valance. Insert hangers into rubber insulators and reattach valve motor connector plugs. Install braces.



Step 7: Once a final position has been chosen for the new exhaust system, evenly tighten all clamps from front to rear using the torque specifications on page one of these instructions. Inspect all fasteners after 25-50 miles for operation and re-tighten if necessary.