

MSD INSTALLATION INSTRUCTIONS

MSD Pro-Billet LT-1 Distributor '93-'94 F-Body, '92-'94 Corvette, '92-'94 Full Size PN 8381

Parts Included:

1 - Distributor	2 - Rotor Screws	5 - 8-32 x 0.5" Phillips Screws
1 - Cap	1 - O-ring	1 - Vacuum Line Assembly
1 - Rotor	3 - 1/4-20 x 2" Socket Head Cap Screws	1 - Removal Tool
1 - Isolator		

IMPORTANT: Due to the number of applications and years that the LT-1 Distributor is used on, it is highly recommended to have the Service Manual for your vehicle during this installation.

IMPORTANT: 1992 Corvettes will need an aftermarket adapter harness to plug the LT-1 Distributor into the vehicles factory harness or it will need to be hardwired.

IMPORTANT NOTES BEFORE INSTALLATION

Throughout its course, the GM LT-1 engine used two different drive mechanisms to connect the cam to the distributor. Figure 1 shows the drive for the MSD PN 8381 Distributor. This design is used in the early model distributors. Make sure this is correct for your application.

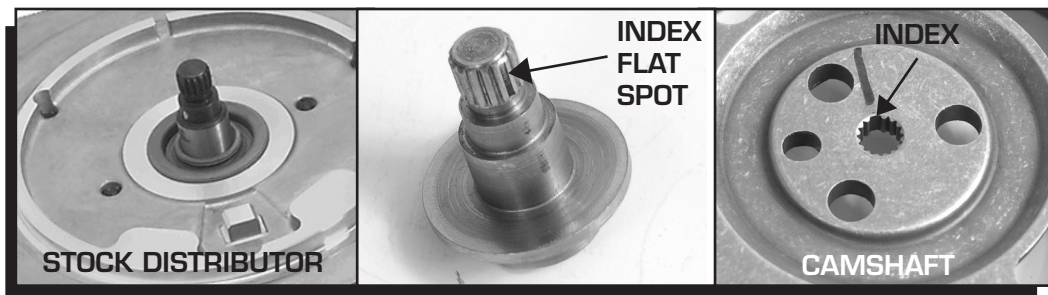


Figure 1 The Drive Mechanism of the PN 8381 Distributor.

Before removing the distributor it is recommended to mark the location of the rotor. This is to ensure that the distributor and cam are indexed correctly prior to reassembly.

Be sure that the O-ring between the distributor cap and the housing is in place before installing the cap. The O-ring must be stretched out, then installed onto the housing. It will shrink back to size.

TIMING INFORMATION

Since the timing of the MSD Pro-Billet Distributor can be adjusted, it is recommended that a timing indicator and mark be fabricated prior to installing the distributor. This way, the timing can be recorded so the MSD Distributor can be set to the same amount. From the factory, the MSD Distributor is set to the factory specs (two turns out).

The MSD Distributor can alter the timing $\pm 7^\circ$. The adjusting screw has a soft Loctite compound applied to it for a seal (Figure 2). Repeated adjustments may loosen the screw. If this occurs, remove the screw and apply Blue Loctite® to the threads. The screw can safely be removed from the distributor.

Too much advance may cause detonation resulting in the ECU retarding the timing through the engine's knock sensor.

When adjusting the timing, take note that the ECU varies the timing at an idle. It is recommended to bring the engine rpm up to 1,500 - 2,000 when setting the timing.

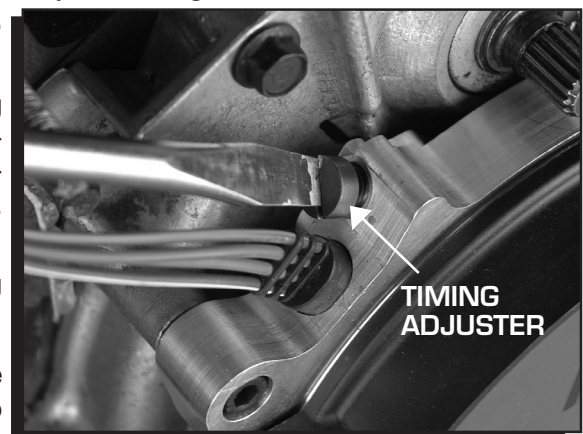


Figure 2 Adjusting the Timing.

remove the four screws that hold the distributor cap to the engine and pull the cap off (Figure 6). Mark the location of the rotor. This will help ensure the proper location of the new distributor (Figure 7).



Figure 8 Removing the Distributor.

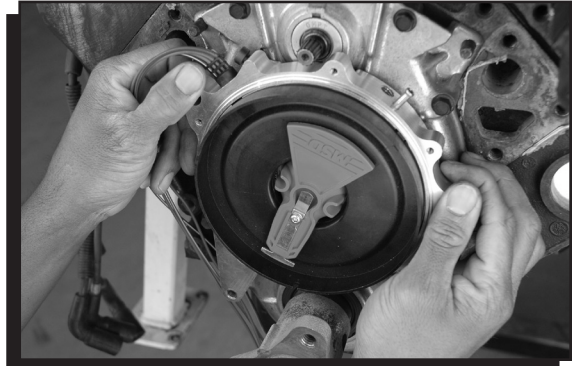


Figure 9 Installing the New Distributor.

16. Remove the three bolts that secure the distributor to the front cover (Figure 8).
17. Notice the indexing pin on the camshaft (Refer to Figure 1). Be sure to align the new distributor with the pin on the cam. The rotor should come to rest in the same location as it did in Figure 7.
18. Install the new Distributor (Figure 9). Use the supplied socket head hex screws.
19. Install the square O-ring seal on the billet housing. Use care not to twist or kink the seal.
20. Install the cap and tighten the five screws evenly.
21. Route the new wiring harness to the top of the intake and plug in the connector (Figure 11).

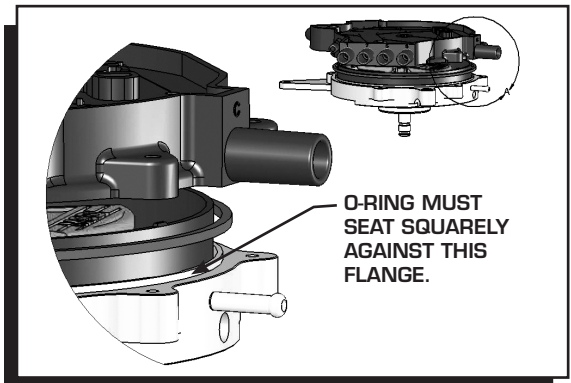


Figure 10 Installing the Seal and Cap.

VACUUM LINE ROUTING

The PN 8381 Distributor Kit is supplied with a vacuum line kit that will aid in venting the distributor cap. One hose assembly connects to a vacuum port on the intake manifold while the other line connects to the air inlet going into the throttle body.

1. Connect the long hose assembly to the lower vacuum inlet of the MSD distributor cap (Figure 12). Use the supplied clamp to secure the hose.
2. Route the vacuum line around the side of the engine and up to the intake manifold. Splice into the hose that connects just over the PCV valve (Figure 13). Also note the check valve that is in-line. The black side of the valve must face towards the vacuum source.
3. Connect the smaller vacuum line to the fresh air inlet port on the top drivers' side of the distributor.
4. Locate the supplied 90° vacuum nipple. Using a 3/16" drill bit, drill a hole in the air intake duct and install the nipple (Figure 14). Make sure the barb goes through and into the duct. Connect the line from the distributor cap to this inlet. This line completes the fresh air circulation through the distributor cap (Figure 15).
5. Install the spark plug wires ensuring they are routed to the correct terminal (Figure 16) and reassemble.

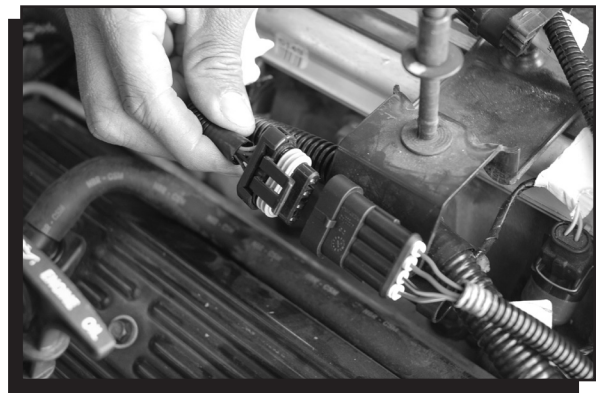


Figure 11 Distributor Connector.

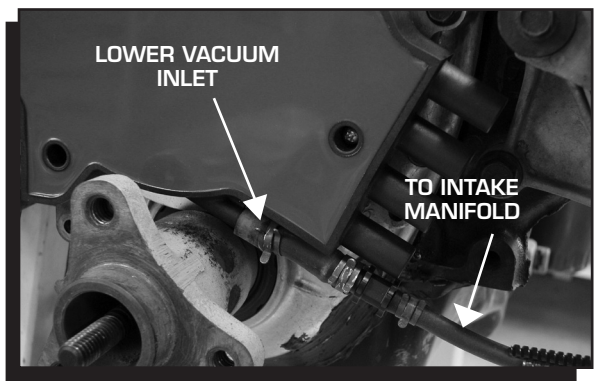
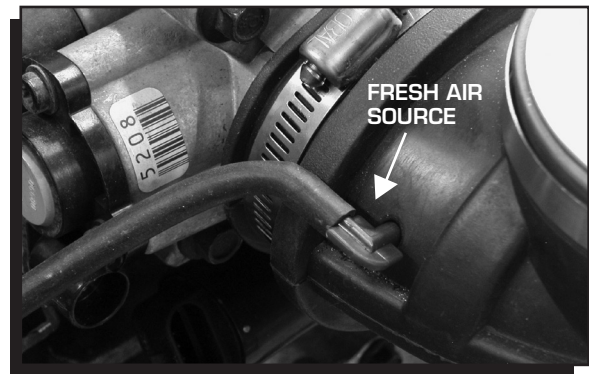
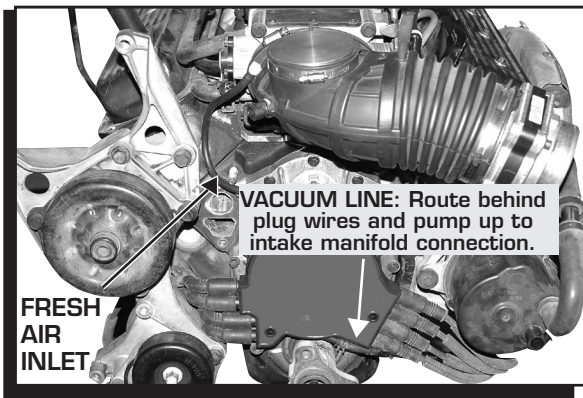
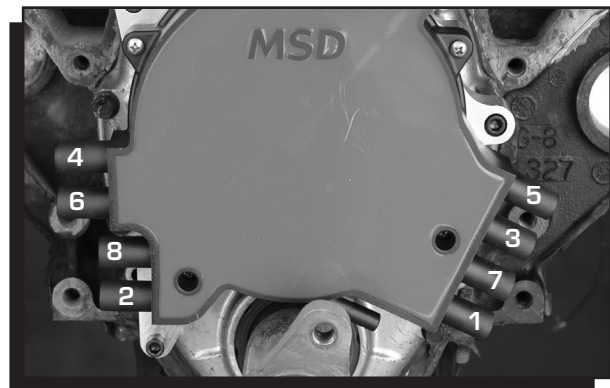


Figure 12 Install the Lower Vacuum Line.

**Figure 13 Connecting the Vacuum Source.****Figure 14 Installing the Fresh Air Line.****Figure 15 Fresh Air Hose Routing.****Figure 16 Plug Wire Routing.**

Service

In case of malfunction, this MSD component will be repaired free of charge according to the terms of the warranty. When returning MSD components for warranty service, **Proof of Purchase** must be supplied for verification. After the warranty period has expired, repair service is based on a minimum and maximum fee.

All returns must have a Return Material Authorization (RMA) number issued to them before being returned. To obtain an RMA number please contact MSD Customer Service at 1 (888) MSD-7859 or visit our website at www.msperformance.com/rma to automatically obtain a number and shipping information.

When returning the unit for repair, leave all wires at the length in which you have them installed. Be sure to include a detailed account of any problems experienced, and what components and accessories are installed on the vehicle. The repaired unit will be returned as soon as possible using Ground shipping methods (ground shipping is covered by warranty). For more information, call MSD at (915) 855-7123. MSD technicians are available from 7:00 a.m. to 5:00 p.m. Monday - Friday (mountain time).

Limited Warranty

MSD warrants this product to be free from defects in material and workmanship under its intended normal use*, when properly installed and purchased from an authorized MSD dealer, for a period of one year from the date of the original purchase. This warranty is void for any products purchased through auction websites. If found to be defective as mentioned above, it will be repaired or replaced at the option of MSD. Any item that is covered under this warranty will be returned free of charge using Ground shipping methods.

This shall constitute the sole remedy of the purchaser and the sole liability of MSD. To the extent permitted by law, the foregoing is exclusive and in lieu of all other warranties or representation whether expressed or implied, including any implied warranty of merchantability or fitness. In no event shall MSD or its suppliers be liable for special or consequential damages.

*Intended normal use means that this item is being used as was originally intended and for the original application as sold by MSD. Any modifications to this item or if it is used on an application other than what MSD markets the product, the warranty will be void. It is the sole responsibility of the customer to determine that this item will work for the application they are intending. MSD will accept no liability for custom applications.