

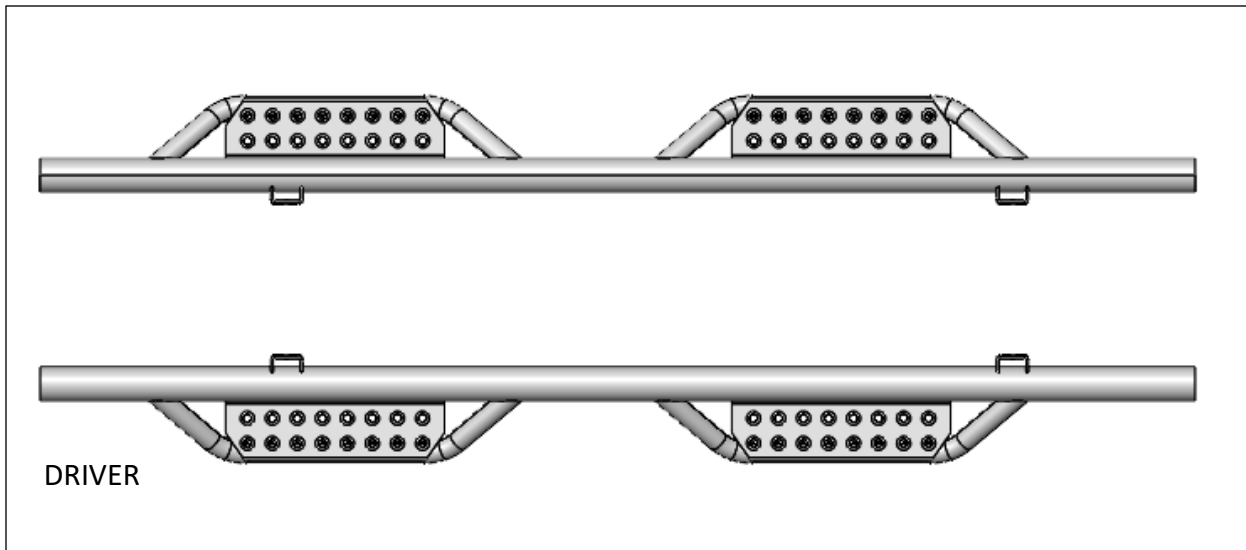
I-SHEET PART NUMBER: INST-00298  
 PART NUMBER: 315417722  
 PRODUCT: RS HOOP STEP  
 APPLICATION: 15-21 F-150 QC

HARDWARE DESCRIPTION		QTY.
HWKT-00031X		
FLNT-00696X	M8-1.25 CLASS 8 SERRATED FLANGE NUT	12
FDRW-00736X	M8 FENDER WASHER	12
	M8 Carriage bolt	8
	M8 Flanged hex nut	8

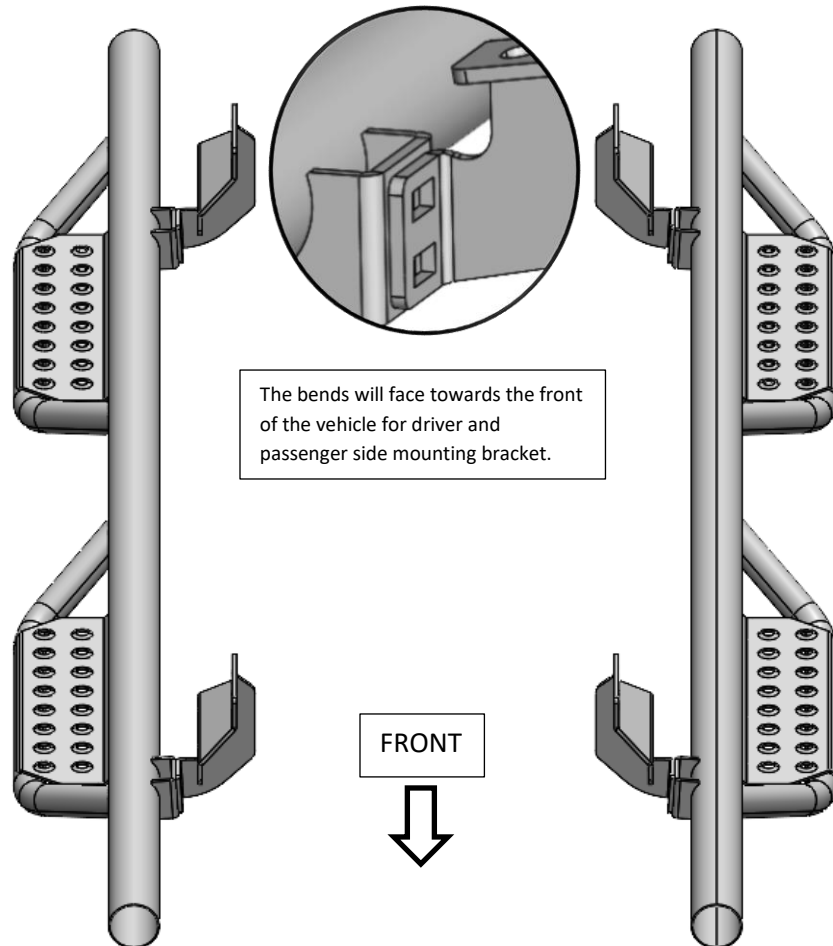


PARTS INCLUDED		QTY
DRIVER SIDE STEP		1
PASSENGER SIDE STEP		1
MOUNTING BRACKET		4

**Step 1:** Identify driver side step.



**Step 2.** Install the (x6) mounting brackets to each attachment point on the main tube using the supplied M10x25 carriage bolts, M10 hex nuts and leave loose for now. **Note the bracket orientation for driver and passenger.**



**Step 3:** Remove all 8mm flange nuts from the 8mm factory threaded studs to remove the OE running boards.



**Step 4:** Next, carefully raise the step assembly into position and align the three brackets with the nine 8mm OE threaded studs.

**Step 5:** Using the supplied 8mm flanged nuts, fasten all nine mounting positions. Leave loose at this time.

**Step 6:** Beginning at the rear bracket, push upwards on the tube to align with the body then tighten only the lower rear fastener at this time.

**Step 7:** Next, move to the front bracket, push upwards on the tube to level with the body. Tighten all three fasteners.

**Step 8:** Tighten the remaining fasteners on rear bracket.



**Step 9.** Next, tighten brackets (x2) at the main tube.

**Step10.** Repeat steps 3-8 for passenger side.

