

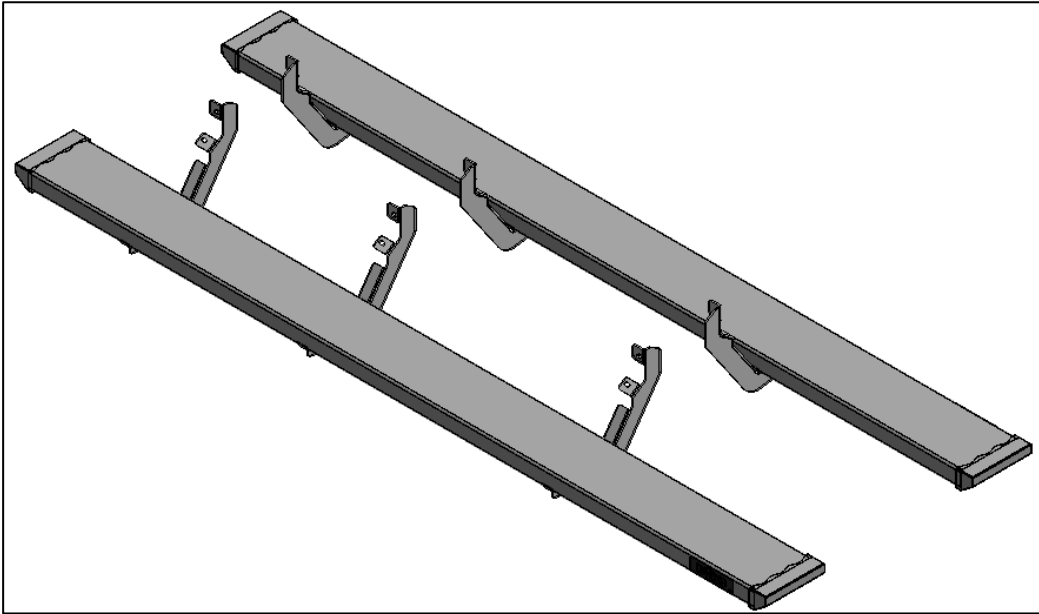
I-SHEET NUMBER: INST-00015
 PART NUMBER: N16-CCTX, N16-QCTX
 PRODUCT: **Growler Running Board**
 APPLICATION: **2016-2018 Nissan XD CREW CAB**
2016-2018 Nissan XD QUAD CAB

HARDWARE DESCRIPTION		QTY.
HWKT-00024X		
FLBW-00894	M8-1.25 X 30MM CLASS 8.8 FLANGE CAP SCREW W/WASHER	12
FLHB-00688	3/8"-16 X 1" GRADE 5 HEX SERRATED FLANGE BOLT	12

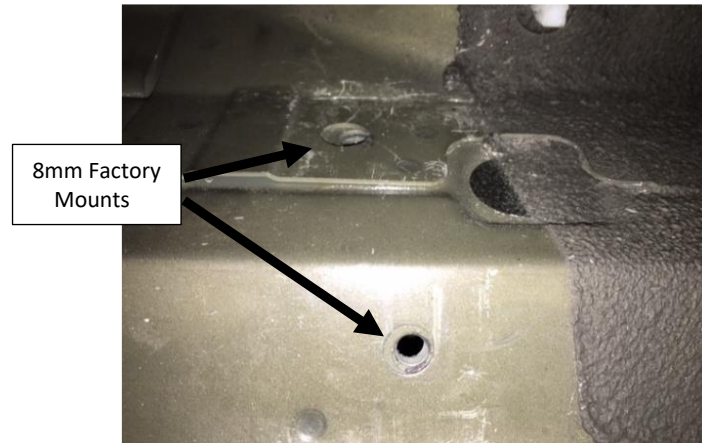
PARTS INCLUDED		QTY
Running Boards		
Rocker Panel mounting Brackets		6
Threaded clamp plates		6



GGROWLER



Step 1: Remove factory-running boards if equipped and discard. You will see the 8mm threaded mounts in the body.



Step 2: Starting with the driver's side, install the (x3) rocker panel mounting brackets to the factory attachment points using the supplied M8X30mm Hex Cap Bolt with washer and leave loose at this time.

NOTE: Use the mounting location that is the furthest back on the cab for the rear bracket.



Step 3: Set running board along the top of the two brackets and center along the cab front/back.

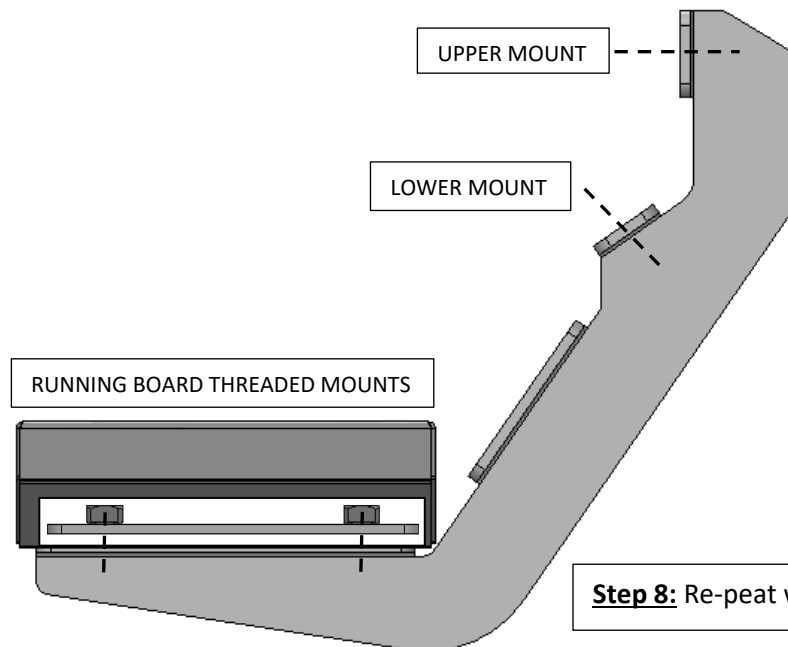
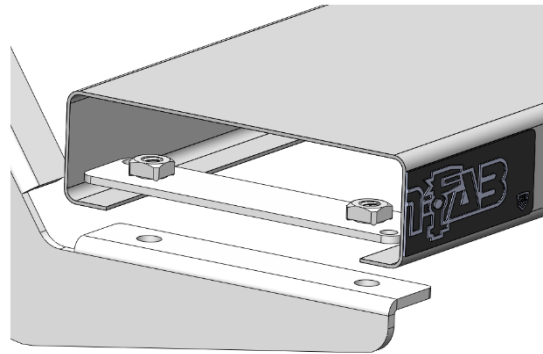


Step 4: Insert the supplied threaded brackets (x3) inside the running board lip over the top of each bracket.

Step 5: After final adjustment, tighten all running board threaded mounts.

Step 6: Next, tighten the lower attachment points (x3).

Step 7: Finish by tightening the upper mounts (x3).



Step 8: Re-peat with passenger side.