



n-fab.com

a TRUCK HERO company

nfabinc f t

I-SHEET: INST-00023

PART NUMBER: GFG15-CCTX

PRODUCT: Growler Running Board

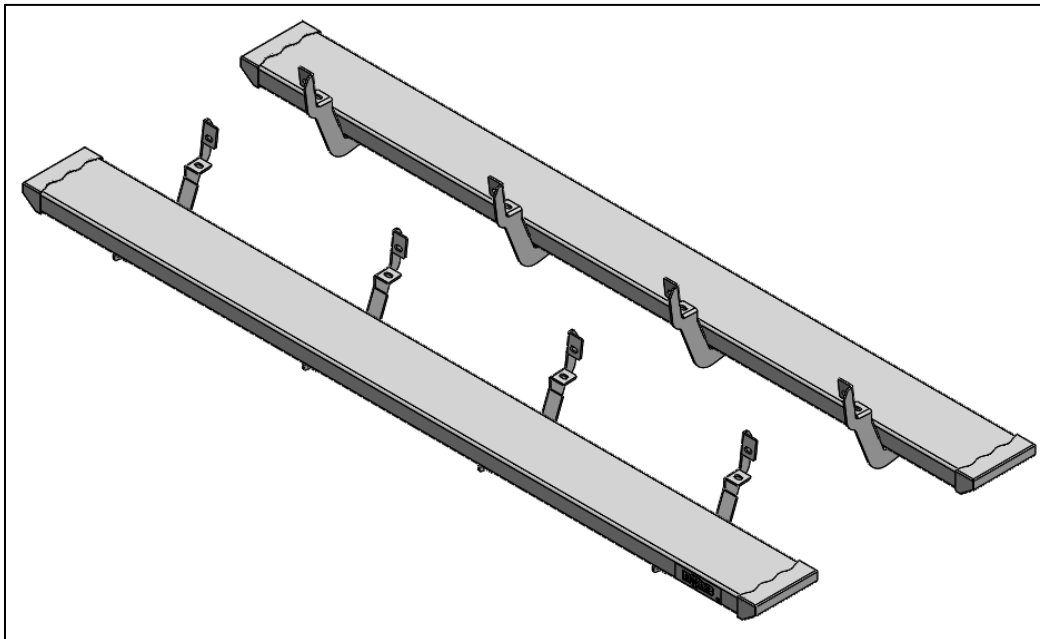
APPLICATION: 2015-2018 COLORADO/CANYON

HARDWARE DESCRIPTION		QTY.
<b>HWKT-00211X</b>		
CLIP-00643	M8-1.25 X 20MM BARREL U-NUT CLIP	16
HHCS-00647	M8-1.25 X 25MM CLASS 8.8 HEX CAP SCREW	16
FLHB-00688	3/8"-16 X 1" GRADE 5 HEX SERRATED FLANGE BOLT	16
HXNT-00736	M8 FENDER WASHER	8
FDRW-00743	M8 FLAT WASHER	8

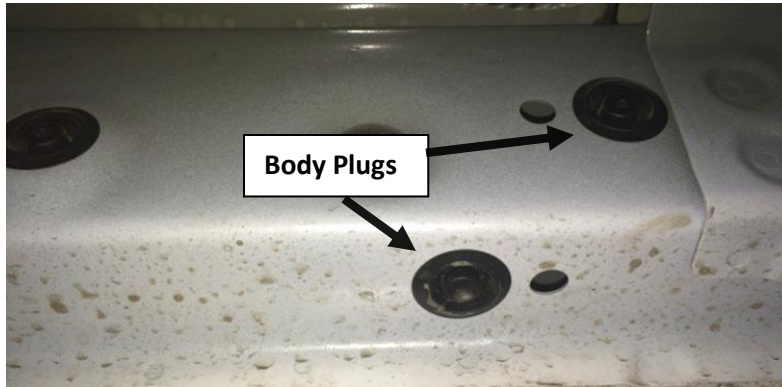


PARTS INCLUDED	QTY
Running Boards	2
Rocker Panel mounting Brackets	8
Threaded clamp plates	8

# GROWLER



**Step 1:** Locate the rubber body plugs on the underside of the body. There will be four sections of two plugs each. One near the top of the body and one near the bottom.



**Step 2:** Insert one 8mm x 1 ¼' threaded clip into each mounting hole by sliding the clip from the large hole and lining up the threaded part with the smaller hole. Make sure the flat side of the clip faces toward the outside of the body.





n-fab.com

nfabinc f t

I-SHEET: INST-00023

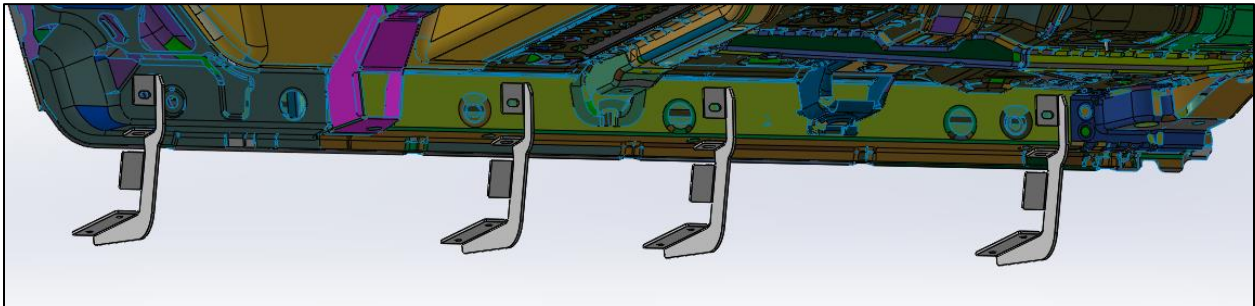
PART NUMBER: **GFG15-CCTX**

PRODUCT: **Growler Running Board**

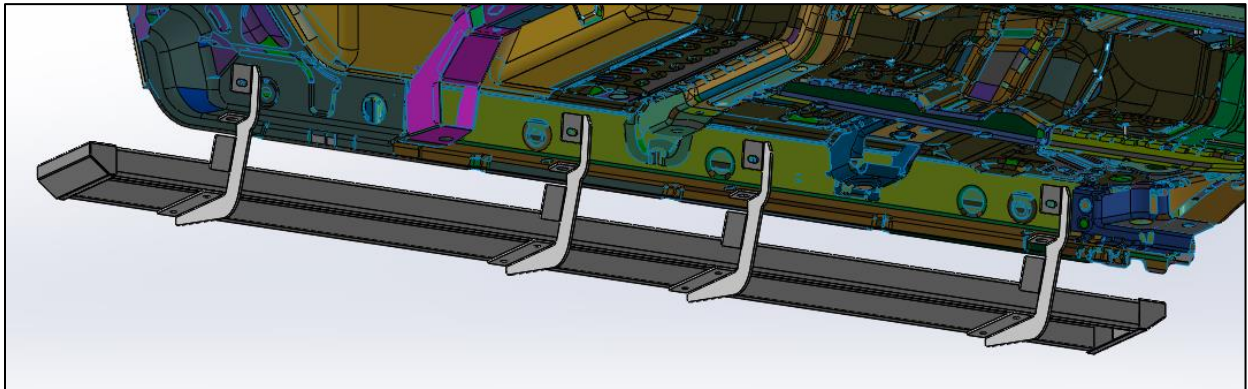
APPLICATION: **2015-2018 COLORADO/CANYON**

**Step 3:** Next, install (x4) mounting brackets using the supplied M8 x 25MM HC BOLTS, M8 FENDER WASHER and M8 FLAT WASHER and leave loose.

**NOTE:** Use large washer with top fastener and small washer with lower fastener.



**Step 4:** Set running board along the top of all three brackets and center along the cab.



**Step 5:** Insert the supplied threaded brackets (x4) inside the running board lip over the top of each bracket.

**Step 6:** With the supplied 3/8" x 1" hex bolts, secure each mounting location and leave loose.

**Step 7:** After final adjustment, tighten all running board threaded mounts.

**Step 8:** Next, adjust frame brackets so the running board is level with body of the vehicle and tighten all factory-mounting locations.

**Step 9:** Repeat steps 1-8 for opposite side.

