



n-fab.com

a TRUCK HERO
company

nfabinc f t

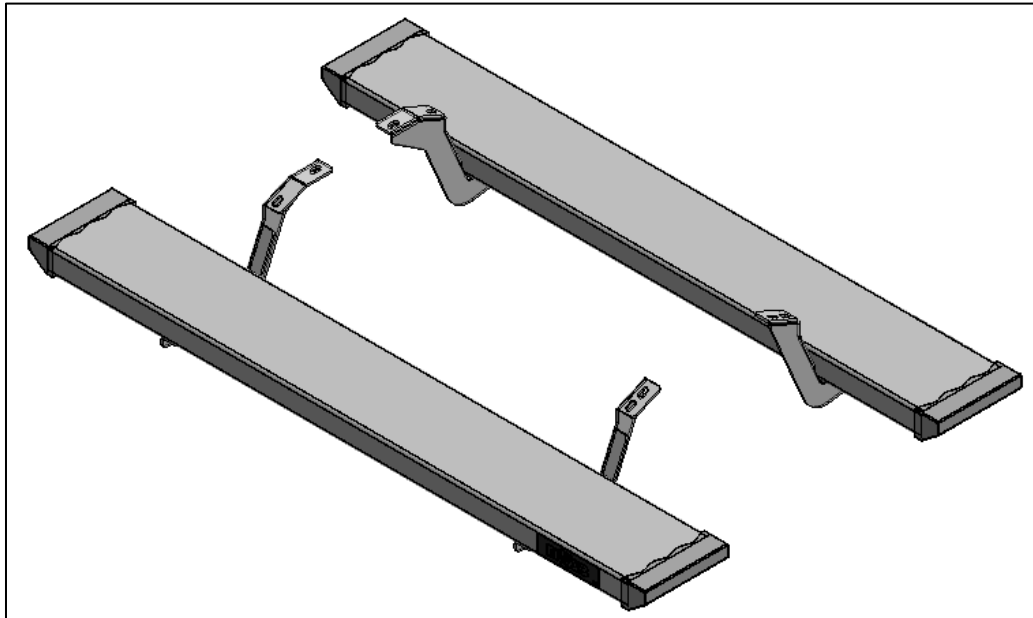
I-SHEET NUMBER: INST-00040
 PART NUMBER: GFT05-RCTX
 PRODUCT: Growler Running Board
 APPLICATION: 2005-19 TACOMA REG. CAB

HARDWARE DESCRIPTION		QTY.
HWKT-00234X		
FLBW-00894	M8-1.25 X 30MM CLASS 8.8 FLANGE CAP SCREW W/WASHER	8
FLHB-00688	3/8" x 1" GRADE 5 HEX SERRATED FLANGE BOLT	8

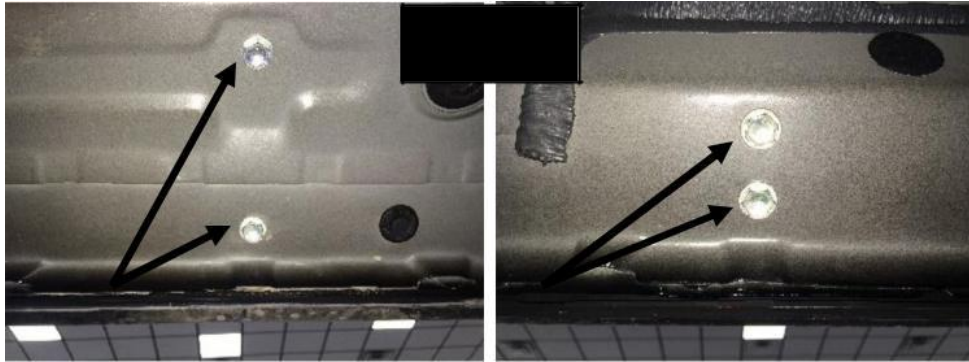


PARTS INCLUDED	QTY
Running Board	2
Rocker Panel mounting Brackets	4
Threaded clamp plates	4

GROWLER

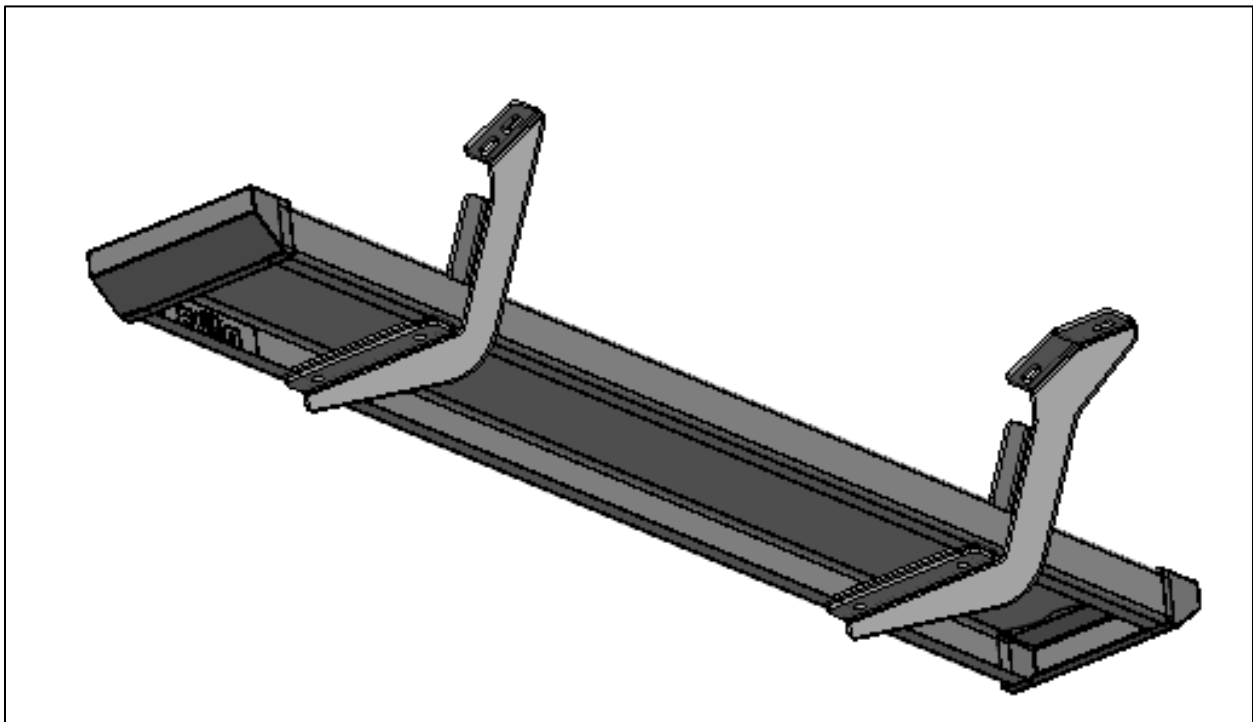


Step 1: Remove any factory-equipped running boards, fasteners, and discard.



Step 2: Next, install the two rocker panel mounting brackets with the supplied M8-1.25 X 30MM hex bolts and leave finger tight.

Step 3: Set running board along the top of all two brackets and center along the cab.



Step 4: Insert the supplied threaded brackets (x2) inside the running board lip over the top of each bracket.

Step 5: With the supplied 3/8" x 1" hex bolts, secure each mounting location and leave loose.

Step 6: After final adjustment, tighten all running board threaded mounts.

Step 7: Next, adjust frame brackets so the running board is level with body of the vehicle and tighten all factory-mounting locations.



Step 8: Re-peat steps 1-7 for passenger side.