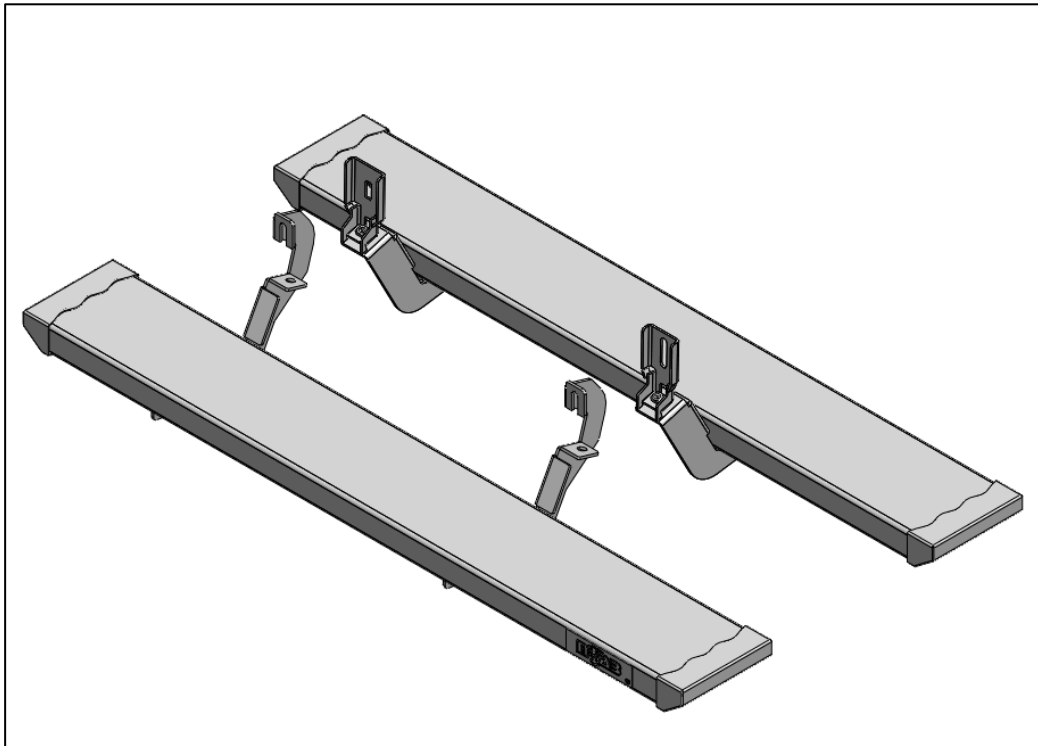


I-SHEET NUMBER: **INST-00049**  
 PART NUMBER: **C17-RCTX**  
 PRODUCT: **Growler Running Board**  
 APPLICATION: **2017-2019 CHEVY/GM Diesel 2500/3500 REGULAR CAB**

HARDWARE DESCRIPTION		QTY.
<b>HWKT-00216X</b>		
HHCS-00647X	M8-1.25 X 25MM CLASS 8.8 HEX CAP	8
FDRW-00736X	M8 FENDER WASHER	12
HXNT-00708X	M8-1.25 CLASS 8 FINISHED HEX NUT	4
CLIP-00643X	M8-1.25 x 20MM-BARREL CLIP	4
FLHB-00688X	3/8"-16 X 1" GRADE 5 HEX SERRATED FLANGE BOLT	10
PARTS INCLUDED		QTY
Running Boards		
Rocker Panel mounting Brackets		4
Def Tank Brackets		2
Threaded clamp plates		4



# **GROWLER**



**Step 1:** Look on the underside of the body and locate the factory supplied mounting positions.

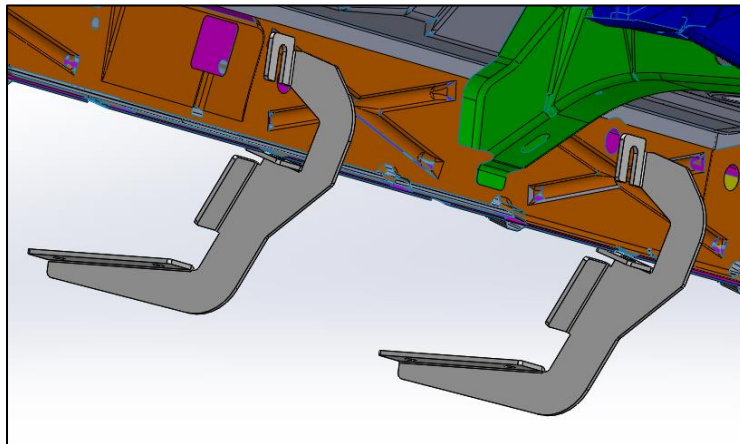
**NOTE:** Some vehicles require the use of speed clips and nuts, which are supplied with the hardware kit.

**Step 2:** If your vehicle requires the use of the speed clips, install at this time. This requires the removal of a plastic body plug. Using a flat head screwdriver remove the plug and install one of the supplied speed clips.

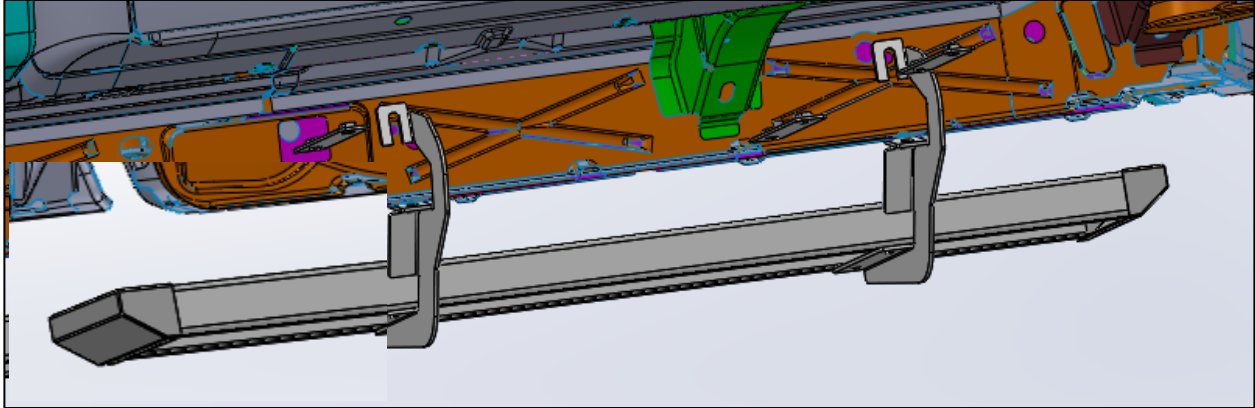


**Step 3:** Install the brackets to the mounting locations in the body of the vehicle and install hardware. Do not tighten all the way.

**NOTE:** Some vehicles may require the use of additional nuts and washers for the lower portion of the mounting bracket which are supplied in the hardware kit



**Step 4:** Set running board along the top of both brackets and center along the cab.

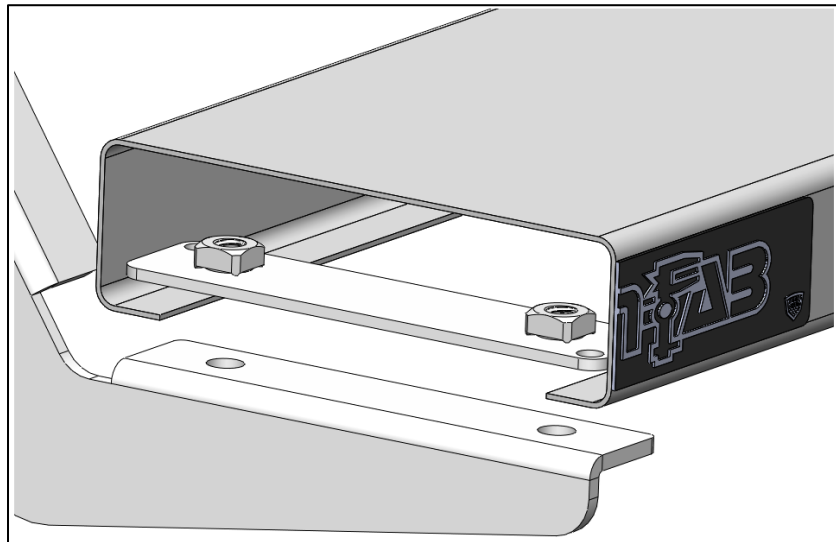


**Step 5:** Insert the supplied threaded brackets (x3) inside the running board lip over the top of each bracket.

**Step 6:** With the supplied 3/8" x 1" hex bolts, secure each mounting location and leave loose.

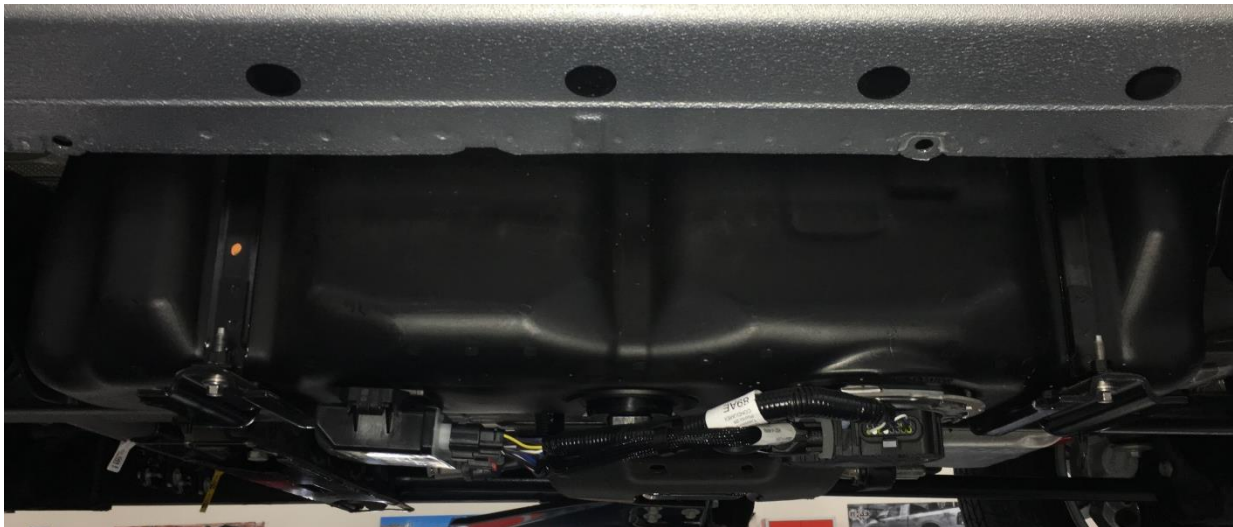
**Step 7:** After final adjustment, tighten all running board threaded mounts.

**Step 8:** Next, adjust frame brackets so the running board is level with body of the vehicle and tighten all factory-mounting locations.

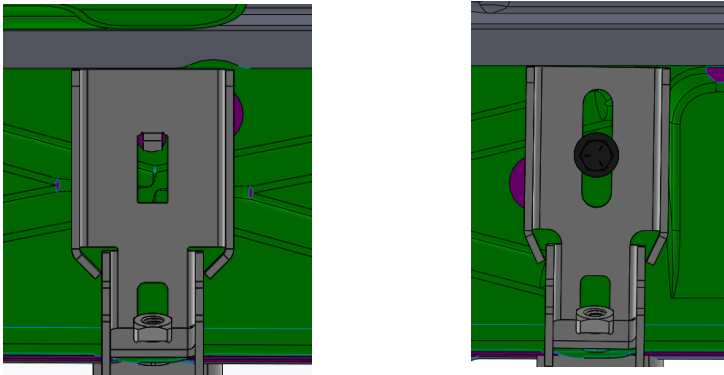


## Passenger side with Def Tank

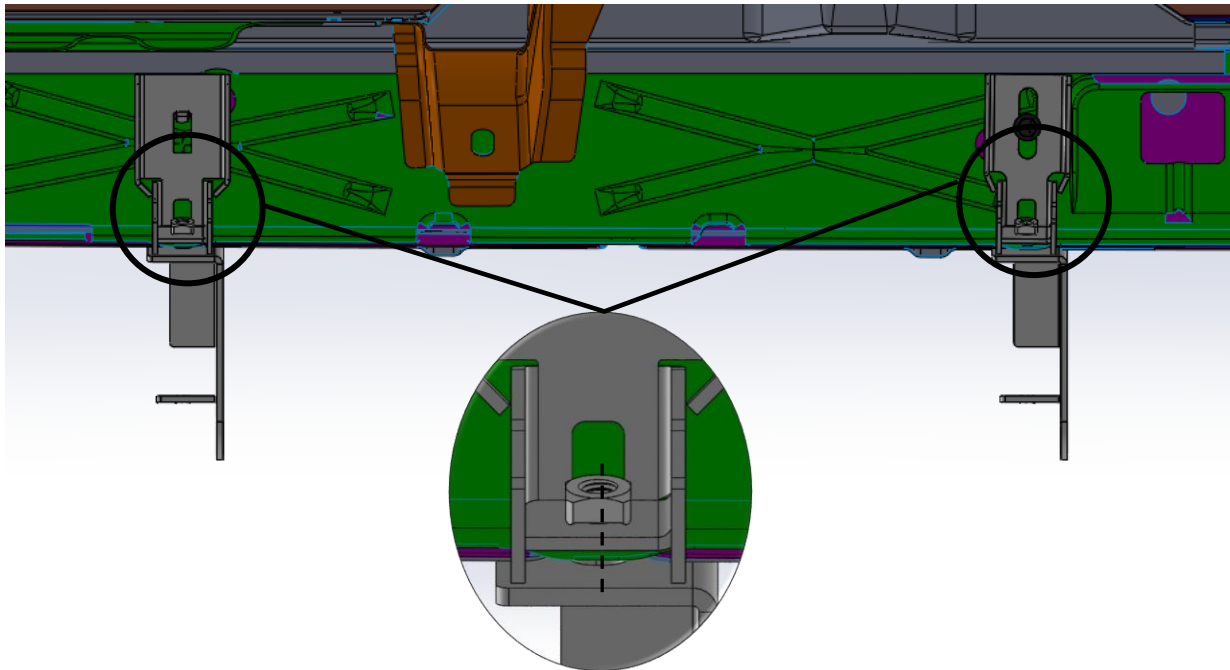
**Step 1.** Remove the (x3) 13mm bolts, (x2) 10mm bolts and (x2) 10mm nuts that attach the Def tank cover and remove.



**Step 2:** Take the bracket with the bent hook and feed between the body and DEF tank until you locate the tab into the OE hole. The bracket will hang once placed correctly.  
**Step 3:** The second bracket will attach to the body with one of the supplied M8x25 mm hex bolts and washer.



**Step 4:** Using the supplied M8x25mm hex bolts and washers begin hand tightening both upper and lower mounts to the rear two brackets.  
**Step 5:** Next, attach the two front brackets to the rocker panel brackets that you installed in step 2 and 3 hand tighten.



**Step 6:** Set running board along the top of both brackets and center along the cab.

**Step 7:** Insert the supplied threaded brackets (x4) inside the running board lip over the top of each bracket.

**Step 8:** With the supplied 3/8" x 1" hex bolts, secure each mounting location and leave loose.

**Step 9:** After final adjustment, tighten all running board threaded mounts.

**Step 10:** Next, adjust frame brackets so the running board is level with body of the vehicle and tighten all factory-mounting locations.

**Step 11:** Re-install the DEF tank cover that was removed in step 1 and tighten to factory specs.

**Step 12:** Your install for passenger side is now complete.

