



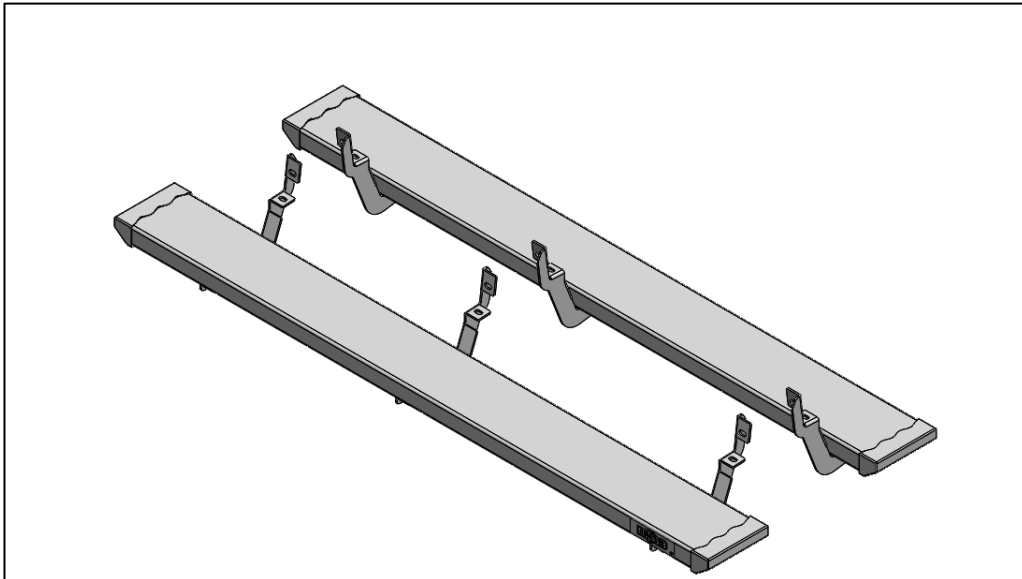
I-SHEET: INST-00050
 PART NUMBER: **GFG15-QCTX**
 PRODUCT: **Growler Running Board**
 APPLICATION: **2015-2018 COLORADO/CANYON QUAD CAB**

ARDWARE DESCRIPTION	QTY.
HWKT-00225X	
M8 x 25MM HC BOLTS	12
M8 X 1 ¼" TINNEMAN CLIPS	12
FENDER WASHER	6
3/8" FLAT WASHER	6
3/8" x 1" Flanged Hex bolt	12

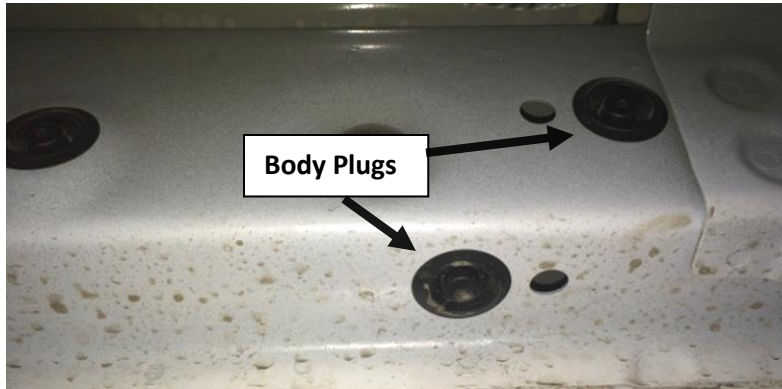


PARTS INCLUDED	QTY
Running Board	2
Rocker Panel mounting Brackets	6
Threaded clamp plates	6

GGROWLER



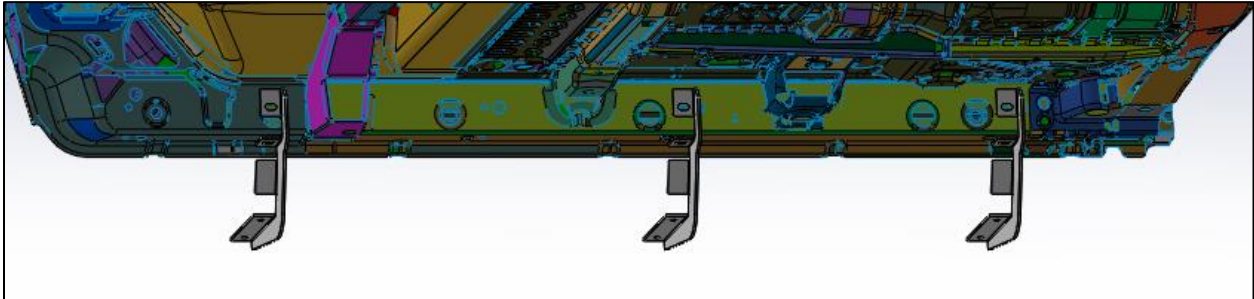
Step 1: Locate the rubber body plugs on the underside of the body. There will be three sections of two plugs each. One near the top of the body and one near the bottom.



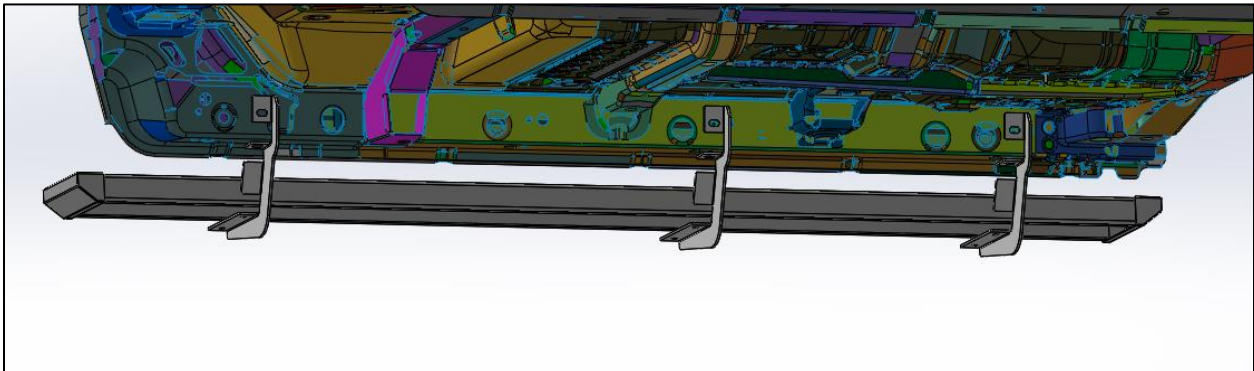
Step 2: Insert one 8mm x 1 ¼' threaded clip into each mounting hole by sliding the clip from the large hole and lining up the threaded part with the smaller hole. Make sure the flat side of the clip faces toward the the outside of the body.



Step 3: Next, install (x3) mounting brackets using the supplied M8 x 25MM HC BOLTS, FENDER WASHER and 3/8" FLAT WASHER and leave loose. **NOTE: Use large washer with top fastener and small washer with lower fastener.**



Step 4: Set running board along the top of all three brackets and center along the cab.



Step 5: Insert the supplied threaded brackets (x3) inside the running board lip over the top of each bracket.

Step 6: With the supplied 3/8" x 1" hex bolts, secure each mounting location and leave loose.

Step 7: After final adjustment, tighten all running board threaded mounts.

Step 8: Next, adjust frame brackets so the running board is level with body of the vehicle and tighten all factory-mounting locations.

Step 9: Repeat steps 1-8 for opposite side.

