



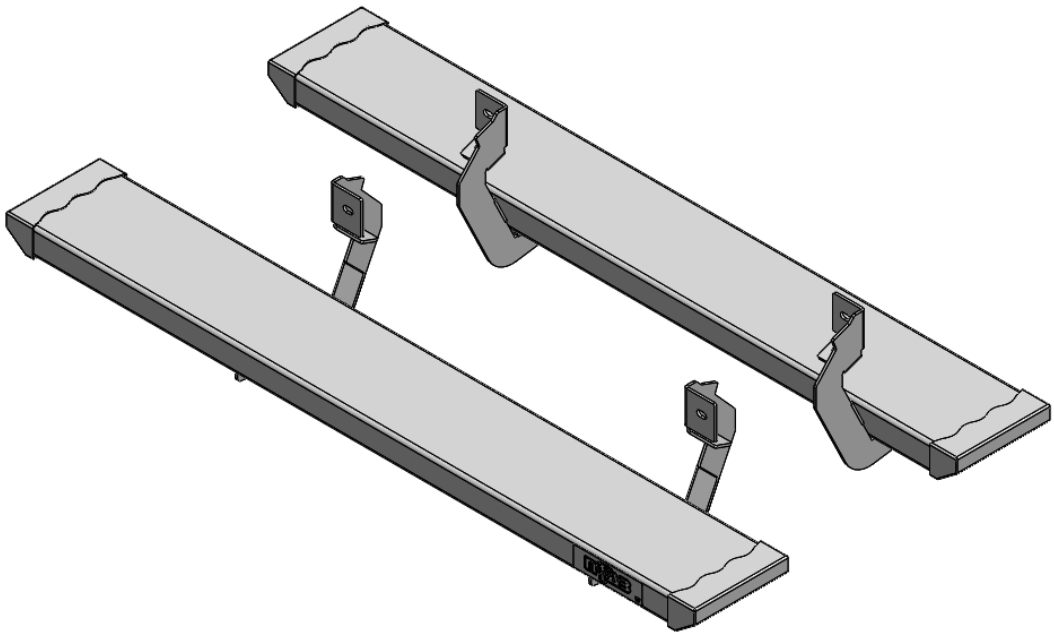
I-SHEET NUMBER: INST-00068
 PART NUMBER: **F09-RCTX**
 PRODUCT: **Growler Running Board**
 APPLICATION: **2009-14 F-150 Reg Cab**

HARDWARE DESCRIPTION		QTY.
HWKT-00237X		
CLIP-00645	5/16"-18 X 9/16" BARREL U-NUT CLIP	8
HHCS-00665	5/16"-18 X 1" GRADE 5 HEX CAP SCREW	8
FLTW-00750	5/16" USS FLAT WASHER	8
CARB-00661	3/8"-16 X 3/4" GRADE 5 CARRIAGE BOLT	8
FLHB-00688	3/8"-16 X 1" GR. 5 HEX SERRATED FLANGE BOLT	8
FLNT-00664	3/8"-16 GRADE 5 SERRATED FLANGE NUT	8



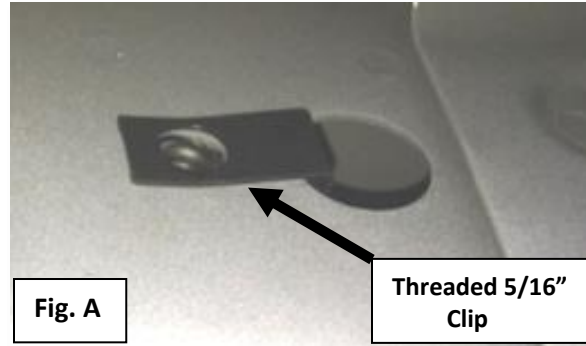
PARTS INCLUDED	QTY
Running Boards	2
Rocker Panel mounting Brackets	4
Threaded clamp plates	4

GGROWLER



Step 1 Starting with driver side, remove any factory-equipped running boards, fasteners, and discard.

Step 2 Next, install the four 5/16" clips into the upper factory mounting locations.

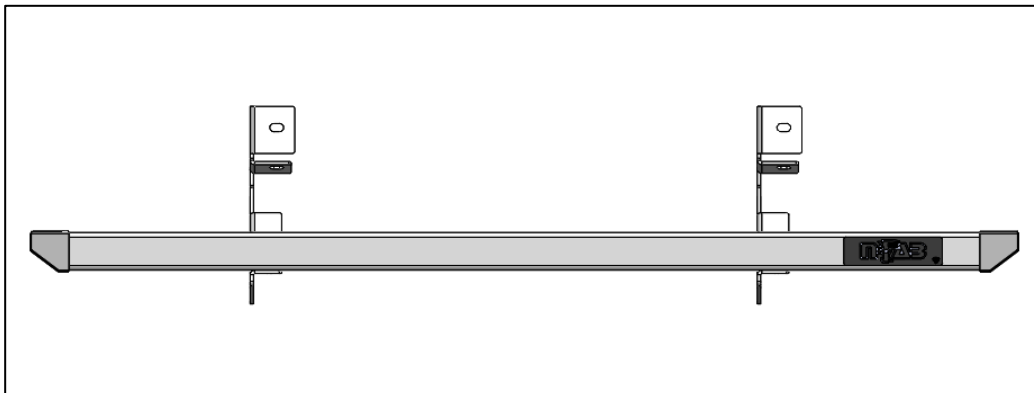


Step 3 Install the two rocker panel mounting brackets using the supplied 3/8" x 3/4" carriage bolts and 3/8" Flanged nuts for the bottom holes. Use the 5/16" x 1" hex bolts and 5/16" washers for the top holes. Leave loose at this time.

Bracket Configuration



Step 4: Set running board along the top of all four brackets and center along the cab.

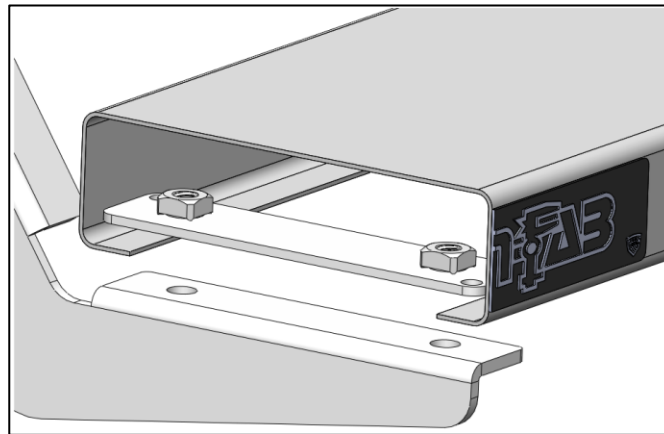


Step 5: Insert the supplied threaded brackets (x2) inside the running board lip over the top of each bracket.

Step 6: With the supplied 3/8" x 1" flange hex bolts, secure each mounting location and leave loose.

Step 7: After final adjustment, tighten all running board threaded mounts.

Step 8: Next, adjust frame brackets so the running board is level with body of the vehicle and tighten all factory-mounting locations.



Step 9: Repeat steps 2-8 for passenger side.