



n-fab.com

a TRUCK HERO company



I-SHEET PART NUMBER: INST-00207
 PART NUMBER: TSF19CC-TX
 PRODUCT: TRAIL SLIDER
 APPLICATION: 19-20 FORD RANGER CREW CAB

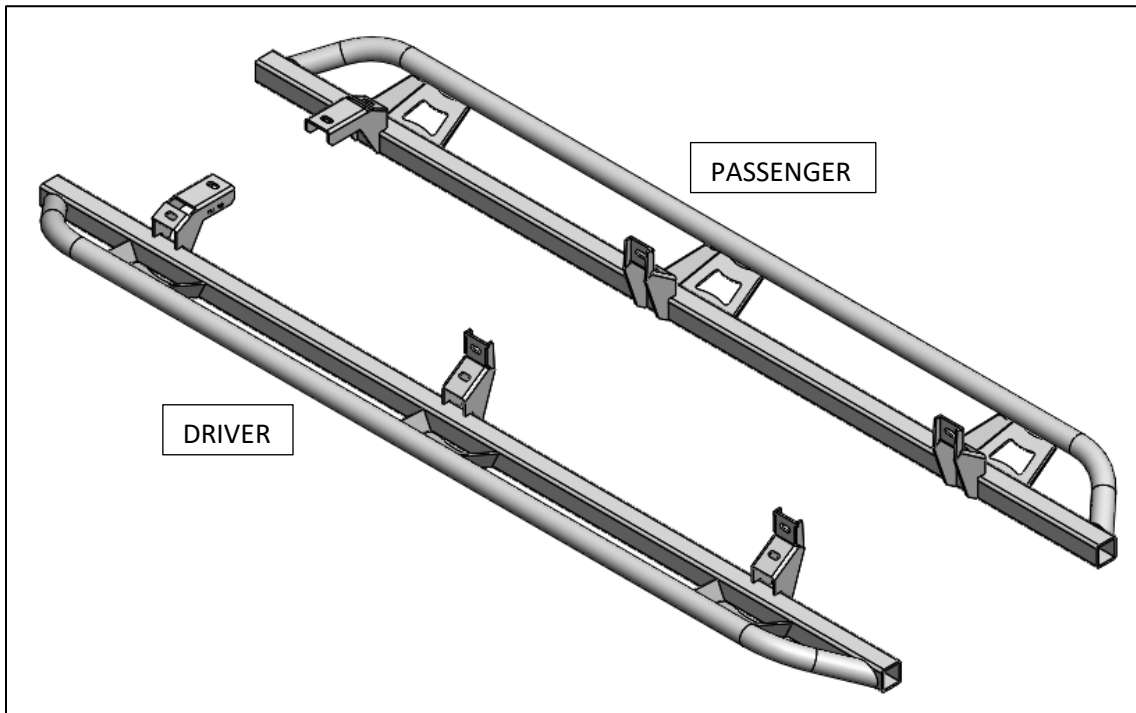
HARDWARE DESCRIPTION		QTY.
HWKT-04239X		
FLHB-04240X	M10-1.5 X 25MM CLASS 8.8 HEX HEAD FLANGE BOLT	12



PARTS INCLUDED		QTY
Driver side slider		1
Passenger side slider		1

TRAIL SLIDER

Step 1: Locate Driver side slider



Step 2: Remove any factory running boards if equipped.



STEP 3: Carefully place step into place and loosely fasten using the supplied M10X25mm hardware.

Step 4: Next, tighten the three lower bolts first, following with the three upper bolts.
(30-35 ft/lbs)

Step 5: Repeat steps 2-4 with passenger side.

Torque sequence

