

I-SHEET NUMBER: INST-00291
 PART NUMBER: **F214BRKR, F214BRKRS4**
 PRODUCT: **RKR RAILS**
 APPLICATION: **21-22 FORD BRONCO 4DR**

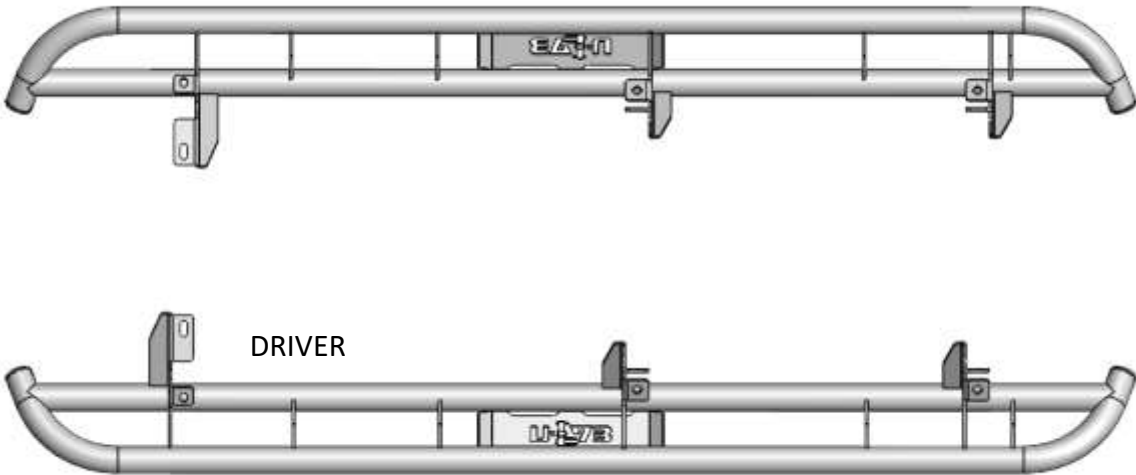


PARTS INCLUDED	QTY
PRT# F194RKRC	
DRIVER SIDE RAIL	1
PASSENGER SIDE RAIL	1
PRT# F194RKRCSS4	
DRIVER SIDE RAIL	1
PASSENGER SIDE RAIL	1
DETACHABLE STEPS (PAIR)	2

HARDWARE DESCRIPTION		QTY.
HWKT-04239X		
FHLB 04240X	M10x25mm HEX FLANGED BOLT	12

DO NOT USE IMPACT TOOLS

STEP 1: Identify driver side step.



STEP 2: Remove any factory running boards or hardware and discard.
STEP 3: Clean/tap the three factory threaded mounting locations.



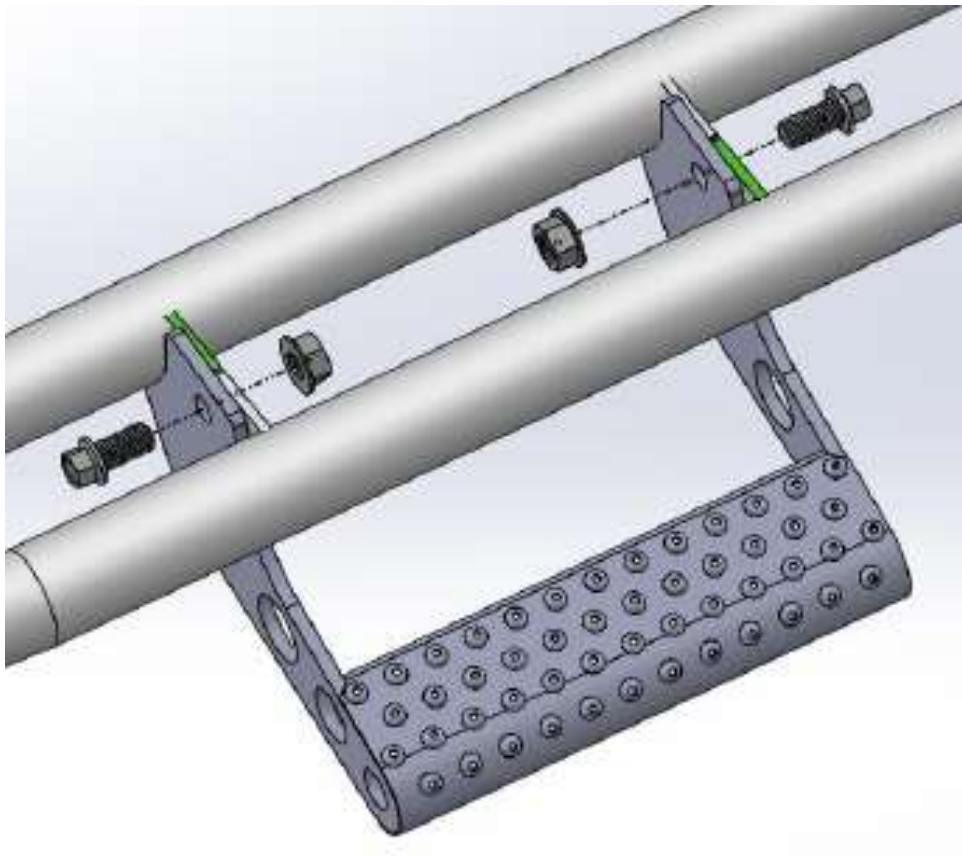
STEP 4: Carefully place step into place and loosely fasten using the supplied M10X25mm hardware.



Step 5: Next, tighten the three lower bolts first, following with the three upper bolts.
Step 6: Repeat steps 2-5 with passenger side.
Step 7: Your install is now complete.

PRT# JPTS32 Detachable Step Installation.

Step 1: Attach the step to the mounts located in between the RKR rails using the supplied 1/2" x 1" flanged hex bolts and 1/2" flanged hex nuts. **NOTE: The step will mount to the left of the bracket opposite of the weld.**



Step 2: Torque bolts to a target of 40 ft/lbs. / 54nm