

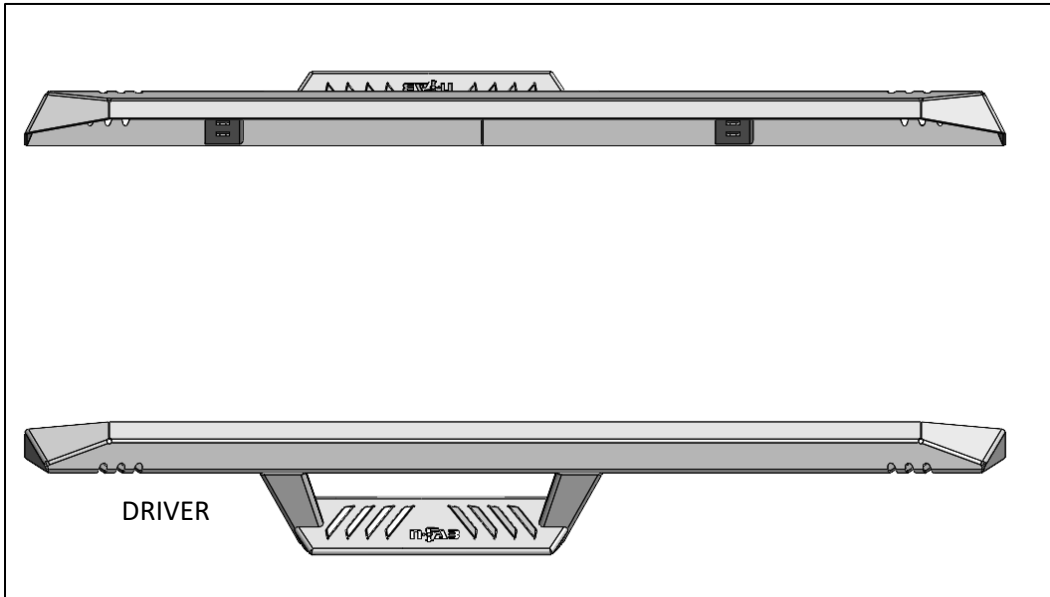


PARTS INCLUDED	QTY
Step Rail	2
Rocker Panel mounting Brackets	4

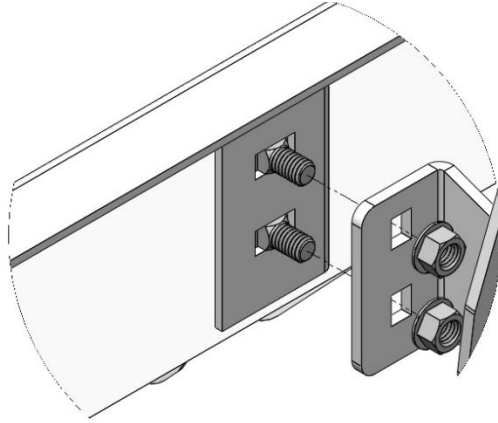
HARDWARE DESCRIPTION	QTY.
HWKT-HWKT- 12095X	
M10x25mm Hex flanged bolt	8
3/8" x 3/4" carriage bolts	8
3/8" Flanged nuts	8

DO NOT USE IMPACT TOOLS

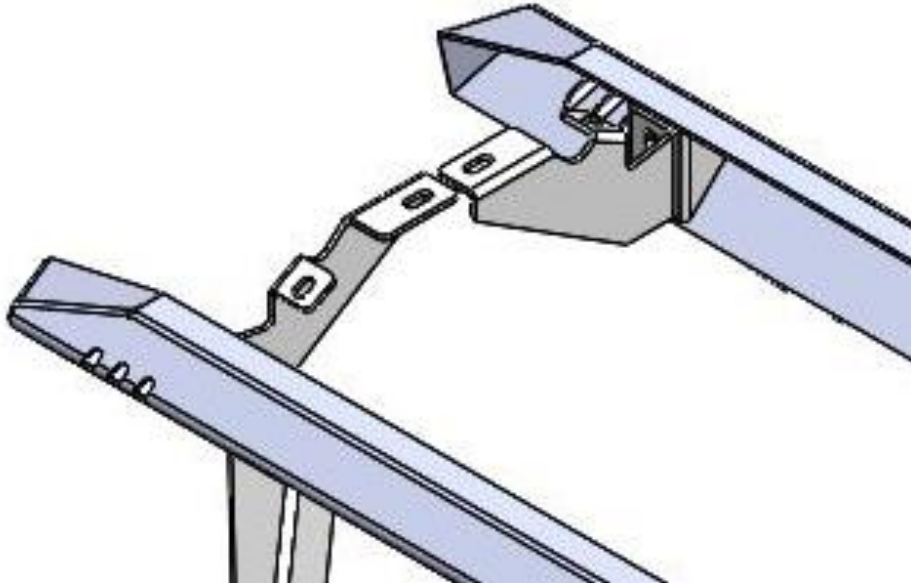
Step 1. Identify the Driver and Passenger side Step Rail.



Step 2: Install three rocker panel brackets to the attachments points located on the backside of the channel using the supplied 3/8" x 3/4" carriage bolts and 3/8" flanged nuts. Leave finger tight for now.



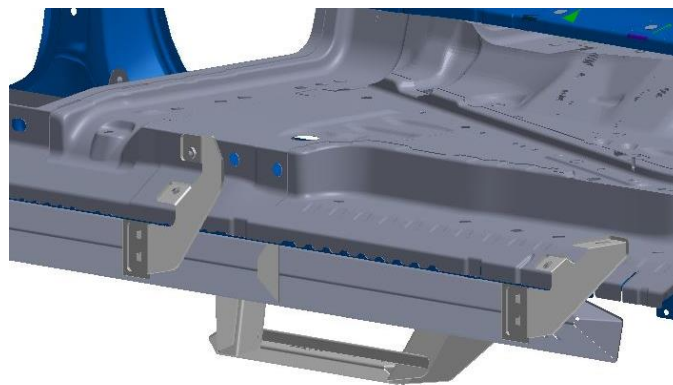
NOTE: Larger bracket will attach towards the front of step rail in the first position.



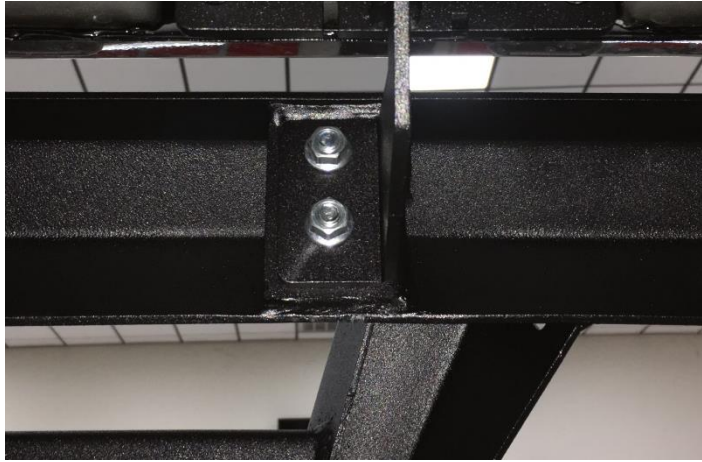
STEP 3: Remove any factory running boards or hardware and discard.
STEP 4: Clean/tap the three factory threaded mounting locations.



STEP 5: Carefully place step into place and loosely fasten using the supplied M10X25mm hardware.



Step 6: Next, adjust the step assembly up/down and front/back to level out the step rail with body panel and then tighten step to brackets at 20 ft. /lbs.



Step 7: Adjust the step rail to where you have approximately ¼" gap between the body of the vehicle and the top of the rail.



Step 8: After final adjustment, tighten all rocker panel brackets to 30 ft./lbs.

Step 9: Re-peat steps 3-8 for passenger side.