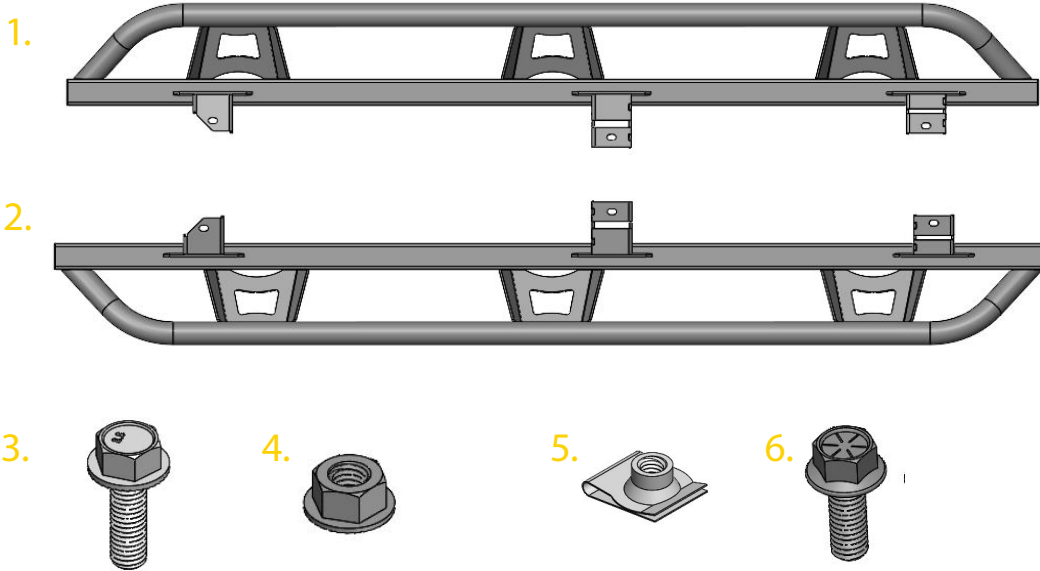


## Components and Hardware: HWKT-13100X



### Components and Hardware:

1. Driver side slider.....	(1)
2. Passenger side slider.....	(1)
3. M8X25mm flanged hex bolt.....	(18)
4. M8 flanged hex nut.....	(12)
5. 3/8" x 3/4" nut clip.....	(6)
6. 3/8" x 1" flanged hex bolt.....	(6)

### Tools for Installation:

- 13mm socket
- 13mm wrench
- 3/8" socket
- Ratchet wrench

*These warranties do not cover any damage, defect, or malfunction caused by misuse, abuse, accident, improper installation, modification, improper or inadequate maintenance, or on-road and off-road hazards. Incidental and consequential damages are not recoverable under this warranty. Some states or providence do not allow the exclusion or limitation of incidental or consequential damages, so this exclusion or limitation may not apply to you.*

## INSTALL

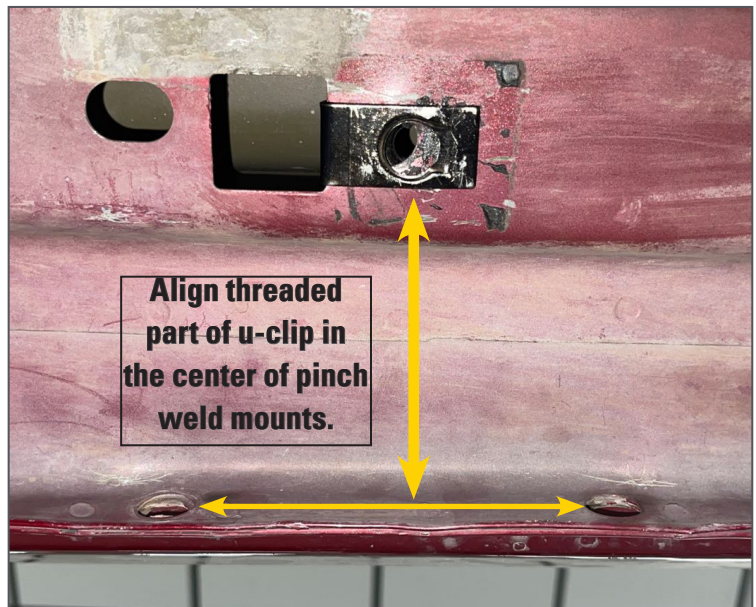
Step 1. Remove any factory running boards or steps and discard.



Step 2. Locate the (x3) factory mounting location on the pinch weld. Each location will have (x2) 3/8" holes.  
Step 3. Depending on the year of your vehicle, you may need to open up the holes using a 3/8" drill bit. Complete this step at this time.



Step 4. Locate the (x3) mounting locations on the underneath of the floor pan. Depending on the year, you may have M8 threaded holes or slots for U-clips.  
Step 5. If the (#5) 3/8" U-clips are needed, install at this time.





DESERT BORN, ROAD READY.™

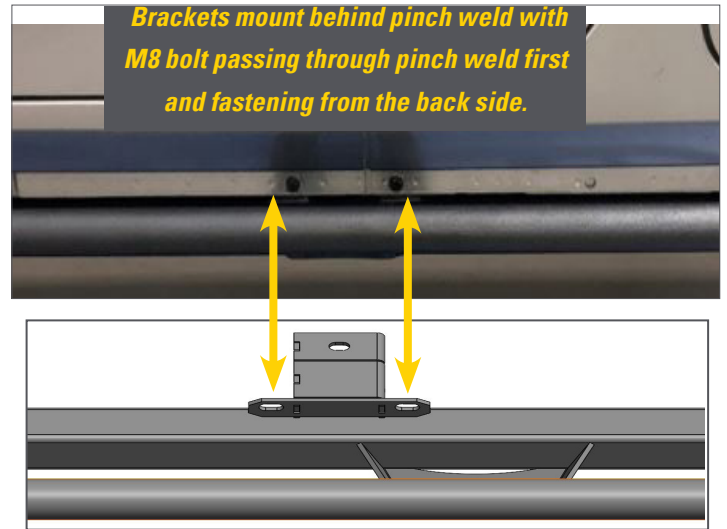
PART# TSJ074-TX  
07-17 JEEP JK 4DR

TRAIL SLIDER  
INST-02319

# INSTALL

Step 6. Carefully raise(#1) driver side trail slider up to the body, aligning brackets to the back side of the pinch weld mounting locations and loosely fasten the upper mounts using the (#3) M8 flanged hex bolts or (#6) 3/8"x1" flanged hex bolts.

Step 7. Install (#3)x6 M8x25mm hex bolts and (#4)x3 flanged hex nuts in the pinch weld mounts and leave loose for now.



Step 8. After final adjustment, tighten the (x3) upper mounts.

Step 9. Next, tighten (x6) pinch weld mounts.

Step 10. Repeat mounting procedure with (#2) passenger side Trail Slider.

