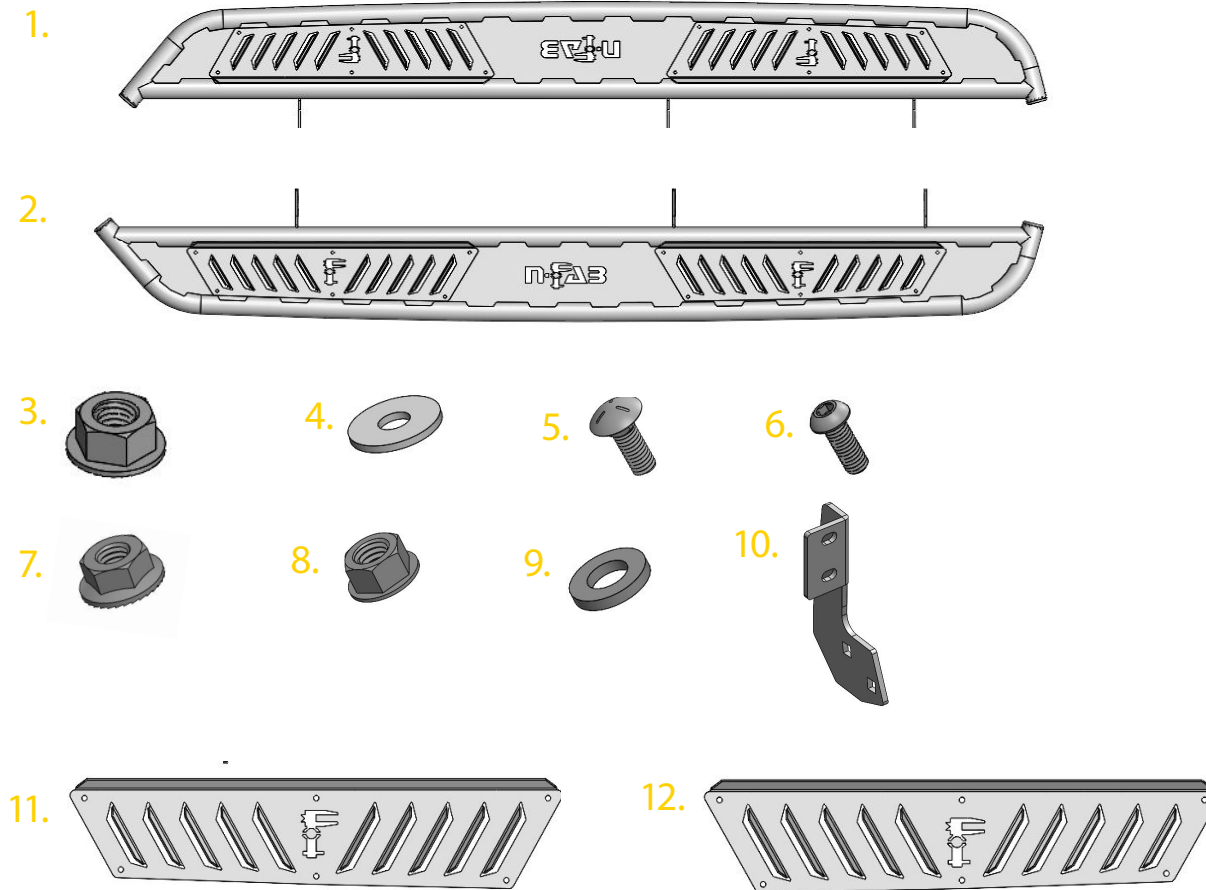


## Components and Hardware: HWKT-05842X / HWKT-09617X



### Components and Hardware:

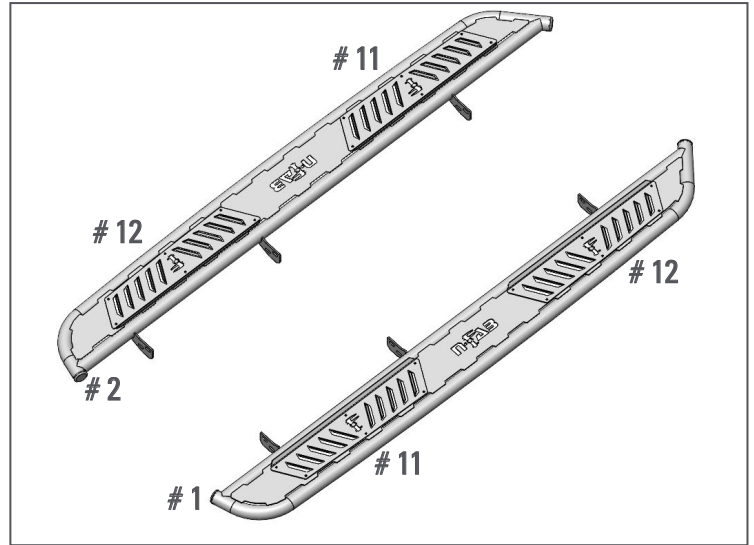
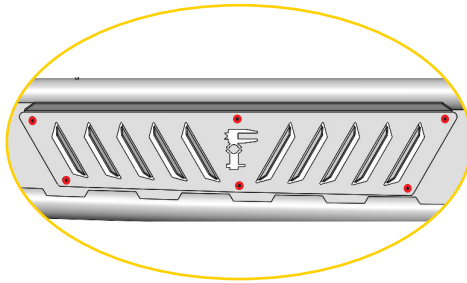
1. Driver side step.....	(1)
2. Passenger side step.....	(1)
3. M8 Flanged hexnut.....	(12)
4. M8 flat washer.....	(12)
5. 3/8" X 1" Carriage bolt.....	(12)
6. M6x16mm Button head cap screw.....	(24)
7. M6 flanged hex nut.....	(24)
8. 3/8" Flanged hex nut.....	(12)
9. M6 flat washer.....	(24)
10. Mounting bracket.....	(6)
11. Step plate insert.....	(2)
12. Step plate insert.....	(2)

### Tools for Installation:

- 13mm socket
- 9/16 socket
- 5/32 hex bit socket
- 10mm wrench
- Ratchet wrench

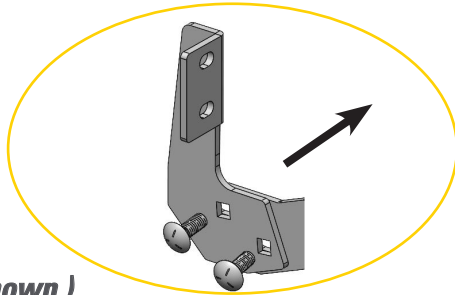
# INSTALL

Step 1. Install the supplied step plate inserts (X2) (#11, #12) to (#1) driver side board and (#2) passenger side board using the supplied (x24) (#6) M6 button head bolt, (x24) (#7)M6 flanged hex nut and (x24) (#9) M6 flat washer and torque to (5-7 ft/lbs). **NOTE: (#6) button head bolt can strip if over tightened.**

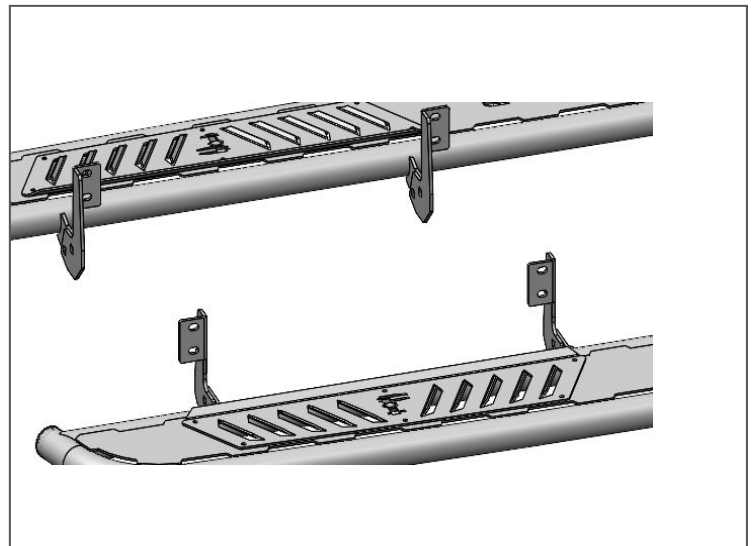


Step 3. Install (x6) (#10) mounting bracket to (#1,#2) driver and passenger side step using (x12)(#5 & #8) carriage bolt, flanged nut and torque to (18-20 ft/lbs)

**NOTE: Brackets will attach to the front side of main tube mount ,with threaded part of the carriage bolt pointing to rear of vehicle.**

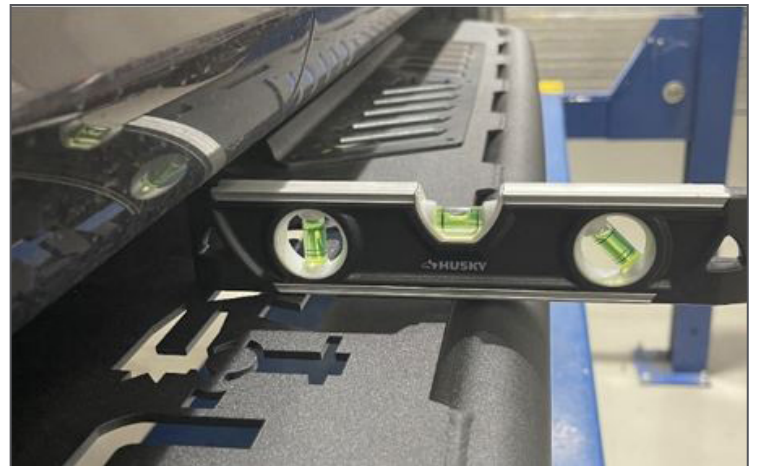


( Driver side shown )



Step 4. Carefully raise running board assembly up into position aligning mounting brackets to the threaded studs and secure with (x6) (#7) flanged hex nut. Do not fully tighten at this time.

Step 5. Tighten the center bracket first so boards can be leveled. **Note, you may have to loosen the brackets at the main tube to level.** Next tighten the remainder mounting locations.





DESERT BORN, ROAD READY.™

PART# NBN22CC-TX  
2022-22 FRONTIER CC

ROAN RUNNING BOARD  
INST-02170

## INSTALL

**Step 6.** There will be approximately 1.5" of inboard/outboard adjustment. Adjust to desired position and tighten to (20 ft/lbs).

**Step 7.** Repeat process with passenger side running board.

