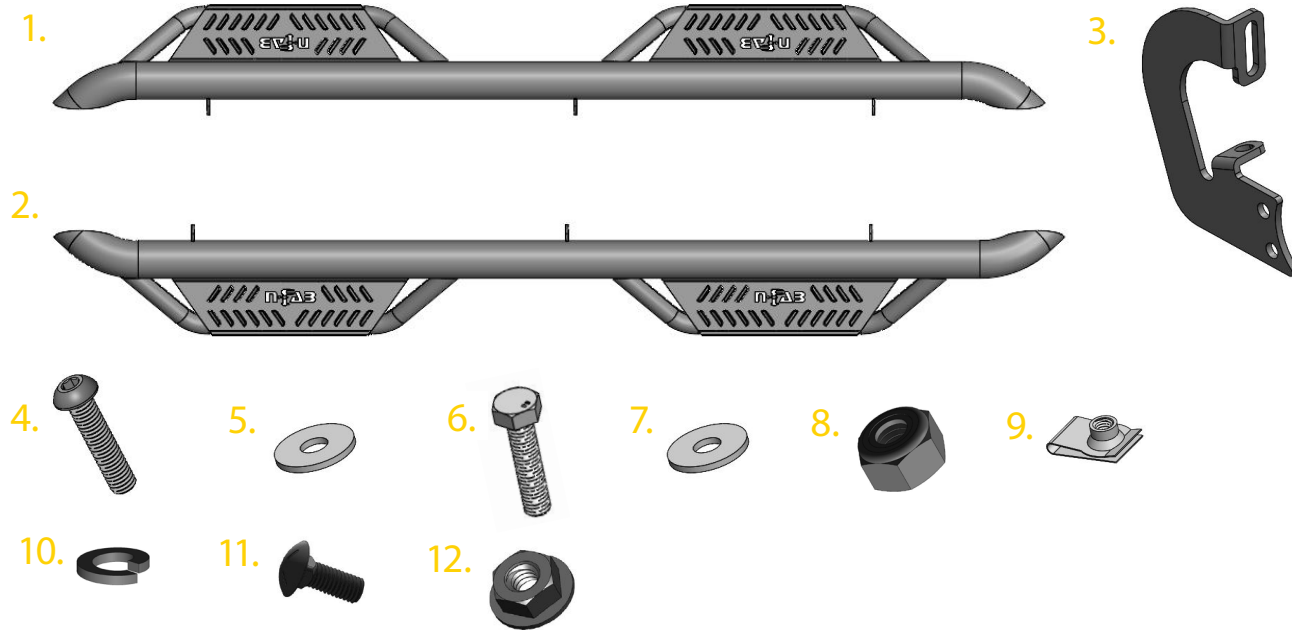


Components and Hardware: HWKT-00424X



Components and Hardware:

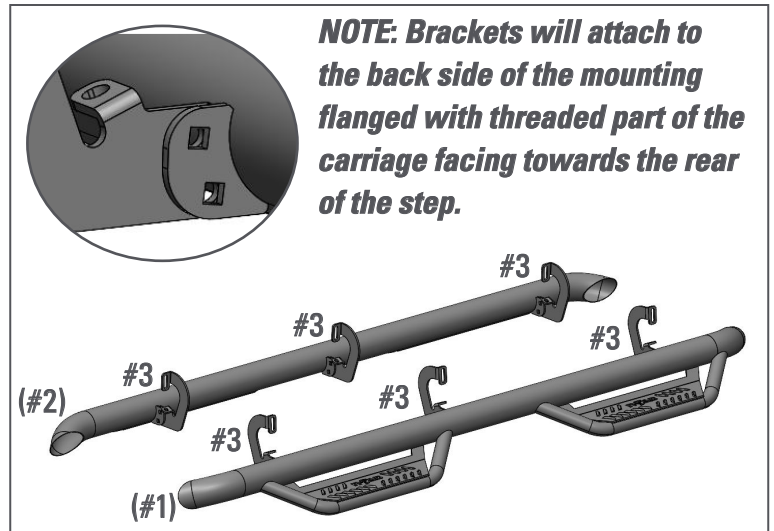
1. Driver side step.....	(1)
2. Passenger side step.....	(1)
3. Mounting bracket.....	(6)
4. M8x35mm black button head bolt.....	(6)
5. M8 black washer.....	(6)
6. M8x35mm black hex head bolt.....	(6)
7. M8 washer.....	(12)
8. M8 nyloc hex nut.....	(6)
9. M8 u-nut.....	(6)
10. M8 lock washer.....	(6)
11. M10x25mm carriage bolt.....	(12)
12. M10 flanged hex nut.....	(12)

Tools for Installation:

- Socket wrench
- 13mm socket
- 17mm socket
- 13mm wrench
- 5mm Hex socket

INSTALL

Step 1. Install (x6) (#3) mounting brackets using the supplied (#11) M10 carriage bolt and (#12) M10 flanged hex nut to the (#1) driver side and (#2) passenger side step and leave loose for now.



Step 2. Insert the (#9) u-nut clips in the factory body locations. **There only be (x1) at the rear location for 1500 modles and all (3) location for 2500/3500 modles.**



Step 3. Carefully place (#1) driver side step into place, aligning brackets with (x3) mounting locations. Use (x3)(#6) M8x35mm hex bolt, (x3)(#7) M8 flat washer and (x3)(#10) lock washer for upper mounts and leave loose.



INSTALL

Step 4. Next, install (x3)(#4) black button head bolts, (x3) (#5) M8 black flat washer and (x3)(#8) Nyloc hex nut for lower mounts and leave loos for now.

NOTE: Some 1500 modles will have an OE welded not on top of pinch weld.



Step 5. After final adjustment, tighten lower mounts first to (18-20 ft/lbs) of torque, then upper mounts (18-20 ft/lb). Avoid using power tools.



Step 6. Tighten the brackets at the main tube (32 ft./lbs.) of torque.

Step 7. Repeat steps 2-6 with passenger side.

