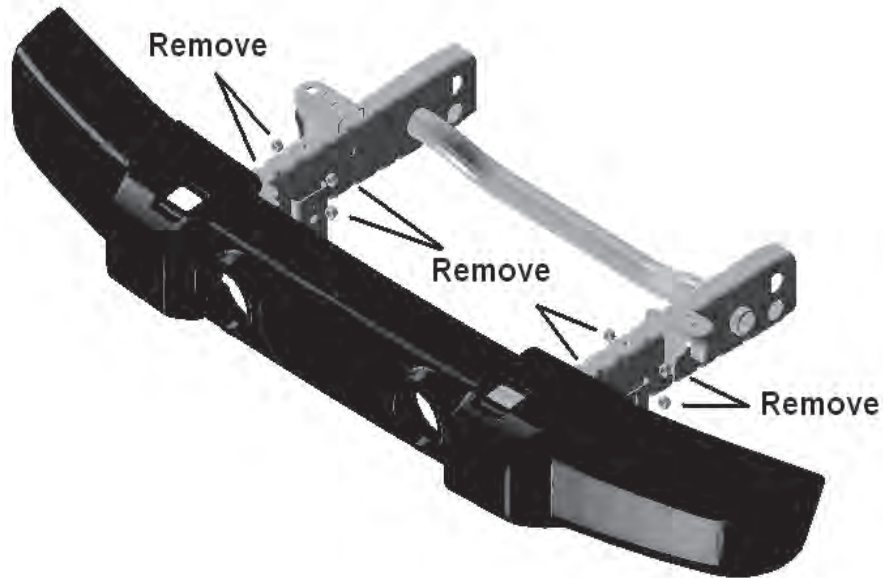


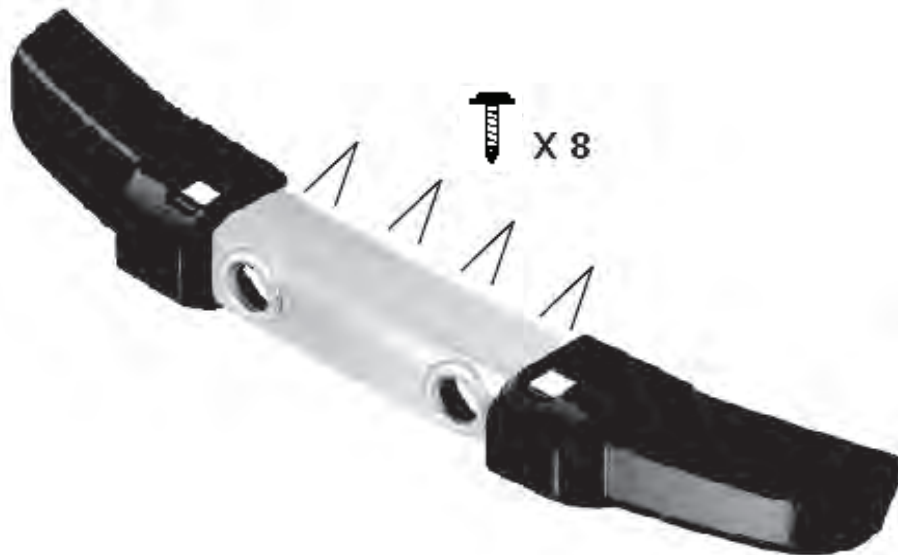
BUMPER APPLIQUE FRONT JK



PLEASE READ AND UNDERSTAND ALL INSTRUCTIONS BEFORE YOU BEGIN.



Step 1. Remove the front bumper. Remove the (8) nuts from the back of the bumper as shown. Do not discard the nuts, they will be used to re-attach the bumper.



Step 2. Place the cover over the center section of the bumper. Using light pressure hold the cover flush against the bumper. Use the supplied self-tapping screws to attach the cover. Install (4) screws top and (4) screws bottom in the pre-drilled holes in the cover. Re-install the bumper onto the vehicle.