



Cab Curtain Installation Instructions

For: Wrangler 1980 - 2002

Part Number: 41422

Important Note: The Cab Curtain is custom designed to attach to the leading edge of the Cargo Cover, sold separately through your dealer, which covers folded soft top bow assemblies.

WARNING

This product is designed to enhance the appearance of the vehicle and to shield the occupants from ordinary weather conditions. Do not rely in any way on the components of this product to contain occupants within the vehicle, or to protect against injury or death in the event of an accident. This top will not protect the occupants from falling objects. Never operate vehicle in excess of manufacturer's specifications.

WEAR SEAT BELTS AT ALL TIMES

Read and follow, precisely, all installation instructions provided when installing top. Failure to do so may result in a poor fitting top and could place occupants of the vehicle in a potentially dangerous situation. After installing or reinstalling the top, check to make sure it has been properly installed.

Installation Tips

After completing the installation, keep these instructions for future reference. Before you begin installing this Cab Curtain, read all instructions thoroughly. Below are a few tips to make this installation easier.

For a smooth fit:

For ease in installation, this product should be installed at temperatures above 72° F. Below this temperature, the fabric may contract an inch or more, making it difficult to fit to the vehicle.

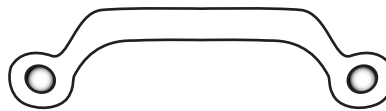
It is normal for the fabric to contract and wrinkle when stored in the shipping carton. Within a few days after the installation, the fabric will relax and the wrinkles will disappear.

The Cab Curtain may be used in the winter to contain heat in the front passenger area.

Parts List and Hardware Identification

- | | |
|------------------|---------|
| Cab Curtain | Qty - 1 |
| Footman Loop Kit | Qty - 1 |
| Small Parts Kit | Qty - 1 |

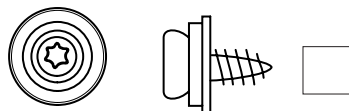
- Tools Needed**
- 1/8" Drill Bit and Drill Motor
 - Phillips Screwdriver
 - Pencil
 - Silicone Sealer



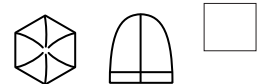
Footman Loop, Qty - 2



#10 x 1/2" Oval Head Phillips Screw, Qty - 4



#20 Torx Snap Head Screw, Qty - 3



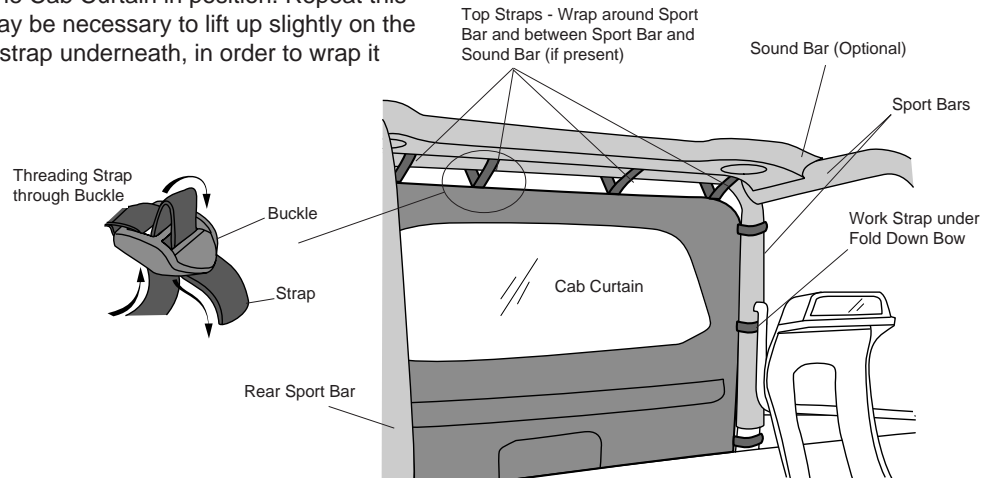
Acorn Locknut, Qty - 3

Cab Curtain Installation

Step One

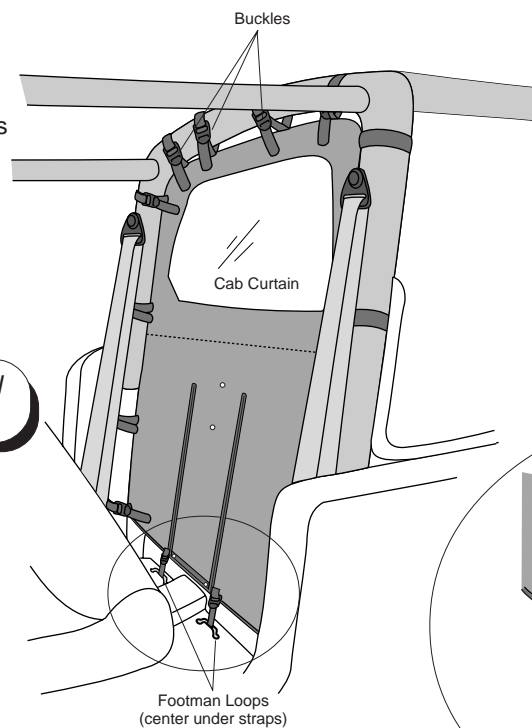
Orient the Cab Curtain with the window toward the top and with the vinyl side out, toward the rear of the vehicle. Start at the top and wrap the four top straps around the sport bar, between the sport bar and the Sound Bar, if one is present. Then thread the end of each strap through each buckle. Loosely tighten each strap to hold the Cab Curtain in position. Repeat this procedure with the side straps. It may be necessary to lift up slightly on the Fold Down Bow to work the middle strap underneath, in order to wrap it around the sport bar.

Note: If the vehicle is equipped with a Soundbar, the upper straps must be inserted between the Soundbar and Pad.



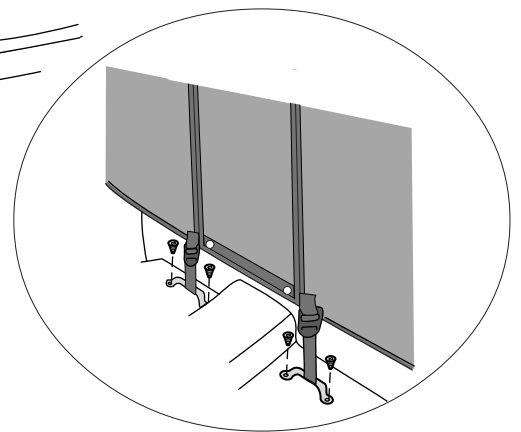
Step Two

Fold the front seats forward and locate the Footman Loop Kit in the parts kit. Center a Footman Loop on the floor of the vehicle below each of the straps sewn to the bottom of the Cab Curtain. Use the holes in the Footman Loops as guides to mark, center punch and drill four 1/8" holes. Seal the edges of the holes with Silicone Sealer. Install the Footman Loops using the four screws from the Footman Loop Kit.



Warning: Check for wiring and fuel lines before drilling holes in floor.

Note: After drilling the holes in the floor, put silicone sealer on the holes before installing the Footman Loops.

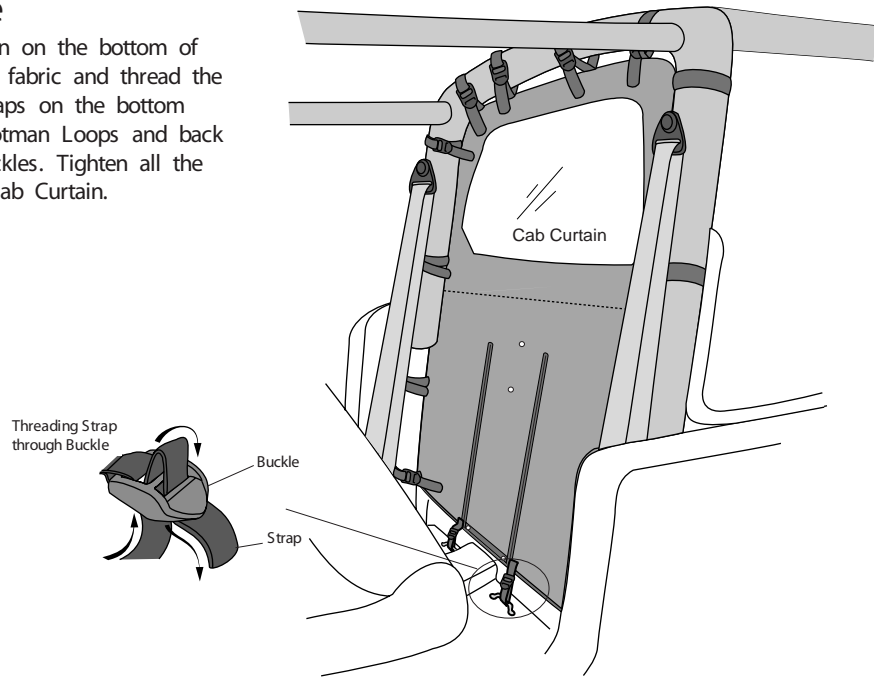


Warning: Do not remove the Footman Loops from your vehicle once they have been installed. If this is necessary, make sure the screw holes have been covered with a sealer.

Cab Curtain Installation cont.

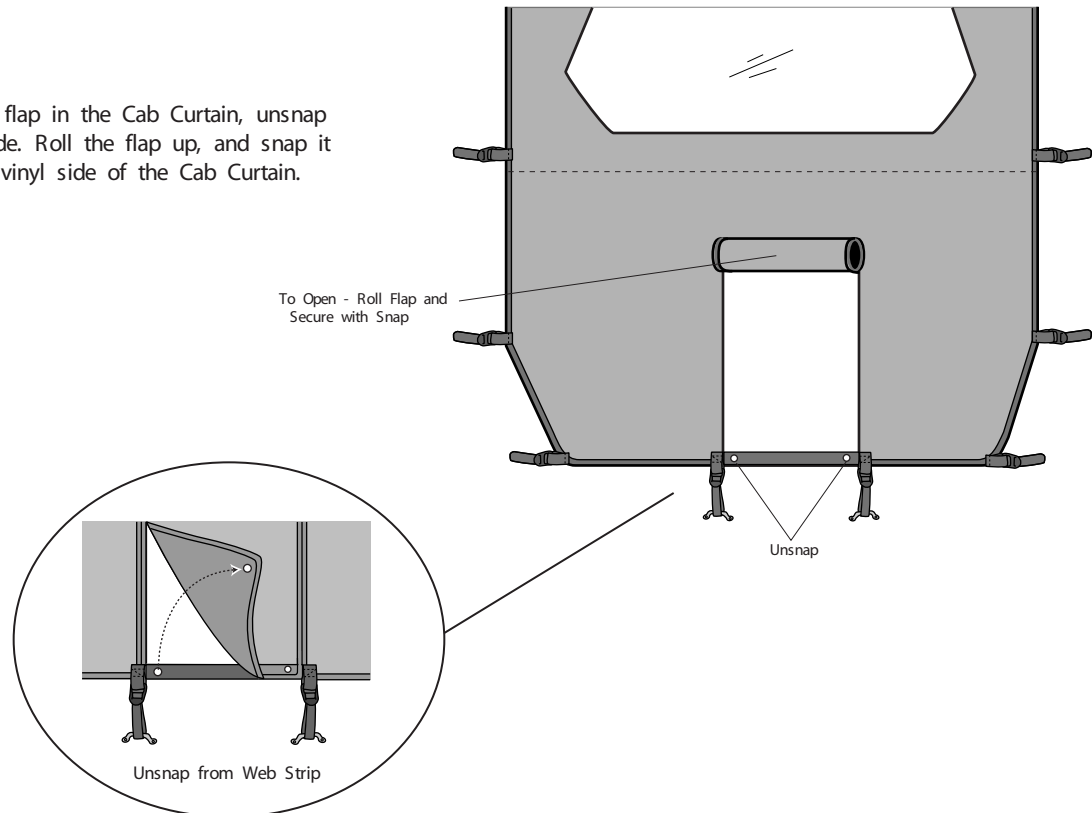
Step Three

Gently pull down on the bottom of the Cab Curtain fabric and thread the ends of the straps on the bottom through the Footman Loops and back through the buckles. Tighten all the straps on the Cab Curtain.

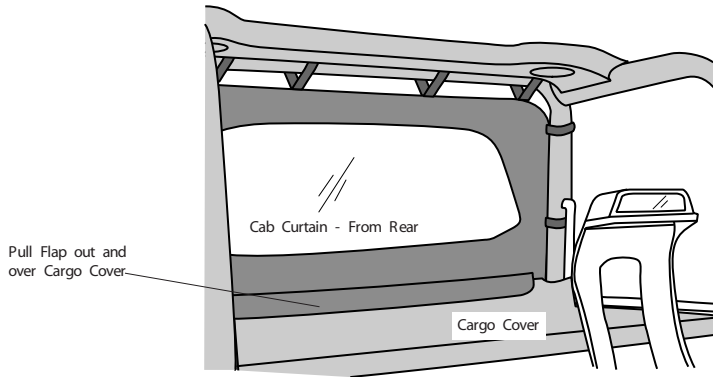


Step Four

To open the center flap in the Cab Curtain, unsnap the flap on each side. Roll the flap up, and snap it to the stud on the vinyl side of the Cab Curtain.



If You Have a New Cargo Cover on Your Vehicle*



Step One

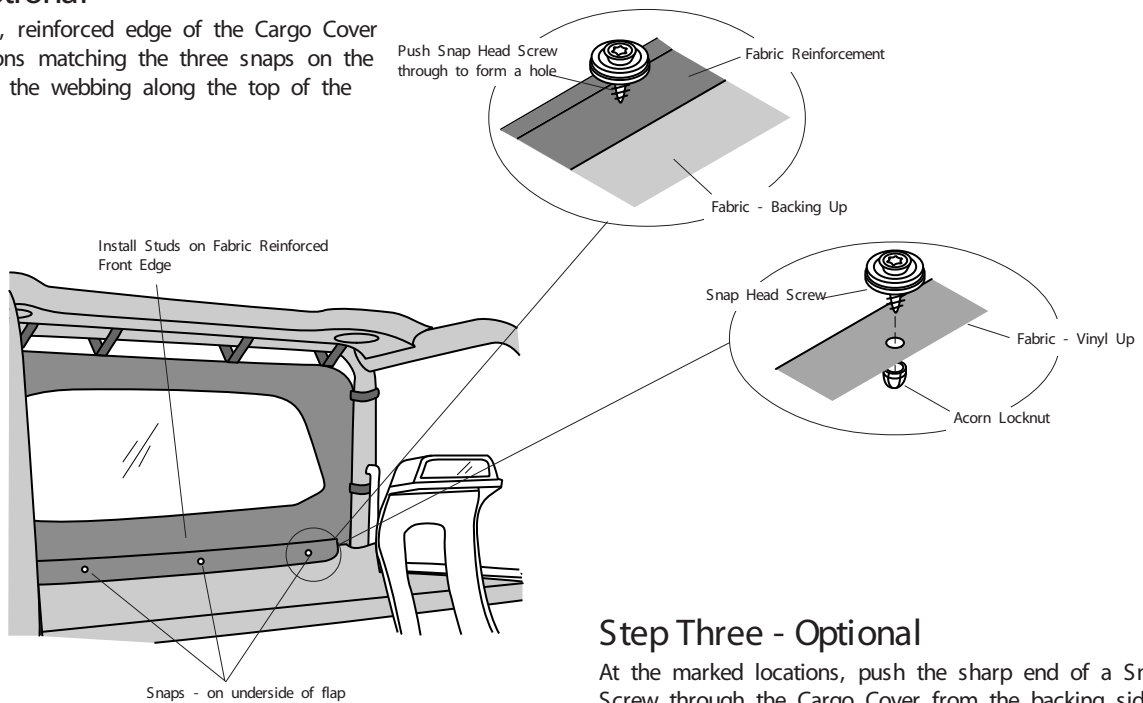
Locate the flap sewn to the rear of the Cab Curtain. Pull the flap out over the top of the front edge of the Cargo Cover.

Note: There are two sets of snaps located on the Cab Curtain flap.

- If you have a YJ use the upper snaps.
- If you have a TJ use the lower snaps.

Step Two - Optional

Pull up on the front, reinforced edge of the Cargo Cover and mark the locations matching the three snaps on the Cab Curtain flap, on the webbing along the top of the Cargo Cover.



Step Three - Optional

At the marked locations, push the sharp end of a Snap Head Screw through the Cargo Cover from the backing side, to make a hole. Once a hole is formed, pull the screw back out of the hole. Then push the screw through the hole from the vinyl side so that the snap is on top of the vinyl. Thread an Acorn Locknut over the pointed end of the Snap Head Screw. Snap the Cargo Cover and Cab Curtain together with the three snaps.

* If you do not have a Cargo Cover, save the three (3) snaps and nuts for possible future use.

LIMITED WARRANTY

We warrant our product to be free from defects in material and workmanship, for the terms specified below, provided there has been normal use and proper maintenance. This warranty applies to the original purchaser only. All remedies under this warranty are limited to the repair or replacement of any item or items found by the factory to be defective within the time period specified.

If you have a warranty claim, first you must call our factory at the number below for instructions. You must retain proof of purchase and submit a copy with any items returned for warranty work. Upon completion of warranty work, if any, we will return the repaired or replaced item or items to you freight prepaid. Damage to our products caused by accidents, fire, vandalism, negligence, misinstallation, misuse, Acts of God, or by defective parts not manufactured by us, is not covered under this warranty.

THE WARRANTY TIME PERIOD IS AS FOLLOWS: ALL "SOFT GOODS" MANUFACTURED BY OUR COMPANY (USING PRIMARILY VINYL, PLASTICS, AND/OR FOAM): ONE YEAR FROM DATE OF PURCHASE.

ANY IMPLIED WARRANTIES OF MERCHANTABILITY AND/OR FITNESS FOR A PARTICULAR PURPOSE CREATED HEREBY ARE LIMITED IN DURATION TO THE SAME DURATION AND SCOPE AS THE EXPRESS WRITTEN WARRANTY. OUR COMPANY SHALL NOT BE LIABLE FOR ANY INCIDENTAL OR CONSEQUENTIAL DAMAGE.

Some states do not allow limitations on how long an implied warranty lasts, or the exclusion or limitation of incidental or consequential damages, so the above limitations or exclusions may not apply to you.

This warranty gives you specific legal rights, and you may also have other rights which vary from state to state.

For further information or request for warranty work, please contact: Customer Service
877-638-9509

*All or a portion of this product may be made in China.

