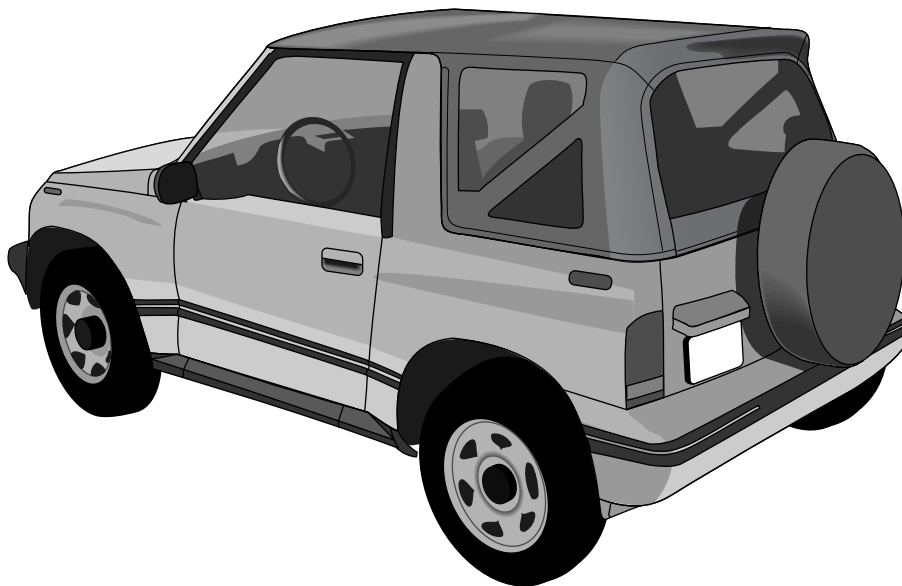




Replay Fabric Replacement Top Installation Instructions

**For: GEO Tracker, Suzuki Sidekick
& Vitara 1986 - 1994**

Part Number: 51137



WARNING

This product is designed to enhance the appearance of the vehicle and to shield the occupants from ordinary weather conditions. Do not rely in any way on the components of this product to contain occupants within the vehicle, or to protect against injury or death in the event of an accident. This top will not protect the occupants from falling objects. Never operate vehicle in excess of manufacturer's specifications.

WEAR SEAT BELTS AT ALL TIMES

Read and follow, precisely, all installation instructions provided when installing top. Failure to do so may result in a poor fitting top and could place occupants of the vehicle in a potentially dangerous situation. After installing or reinstalling the top, check to make sure it has been properly installed.

Installation Tips

After completing the installation, keep these instructions for future reference. Before you begin installing this Replay Top assembly, read all instructions thoroughly. Below are a few tips to make this installation easier.

For a smooth fit:

For ease in installation, the Replay Top should be installed at temperatures above 72° F. Below this temperature, the fabric may contract an inch or more, making it difficult to fit to the vehicle.

It is normal for the fabric to contract and wrinkle when stored in the shipping carton. Within a few days after the installation, the fabric will relax and the wrinkles will disappear.

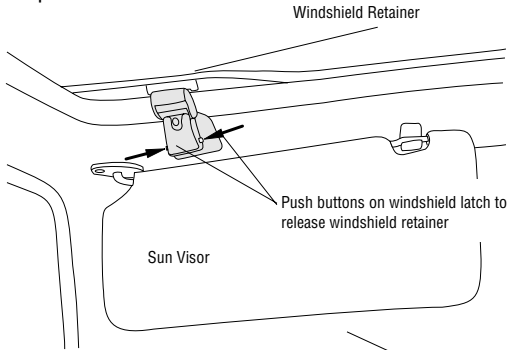
Parts Kit

Top Fabric Assembly Qty - 1
Rear Curtain (Window) Qty - 1

Note: Before beginning this installation, remove the old top. Keep the white fiberglass rod from the old top for use in Step 10.

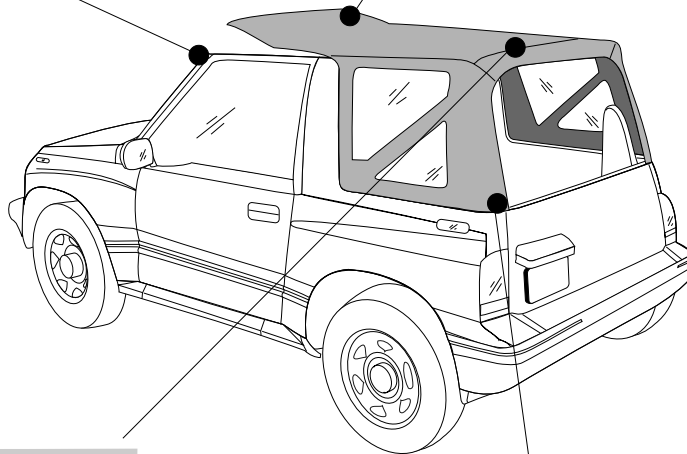
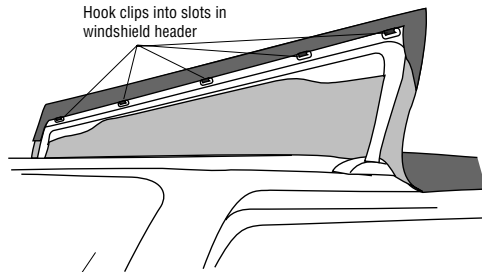
Step One

Unlock the windshield retainer and open it back.



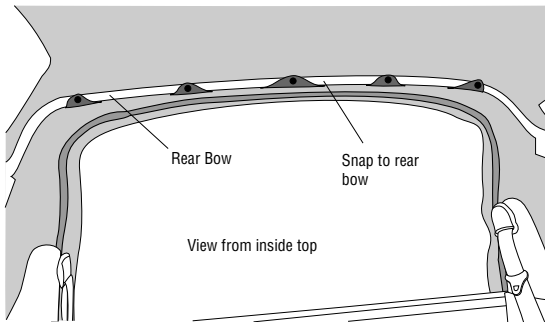
Step Two

With the bow up and the hardware in place, drape the top over the hardware. Hook the five clips on the front of the top into the slots in the windshield header.

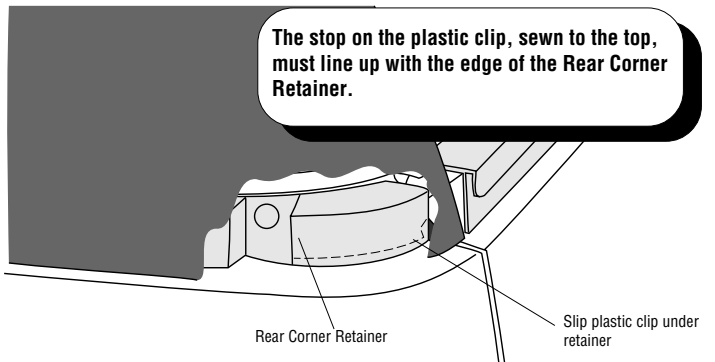


Step Three

Snap the five snaps on the inside of the top to the studs on the rear bow.



The stop on the plastic clip, sewn to the top, must line up with the edge of the Rear Corner Retainer.

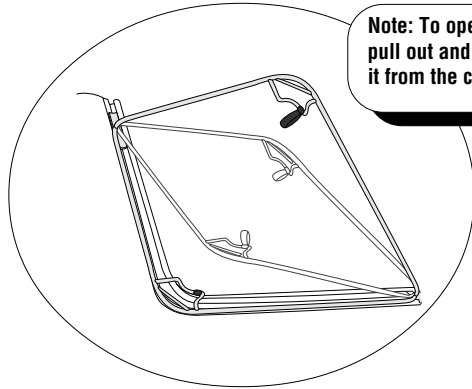


Step Four

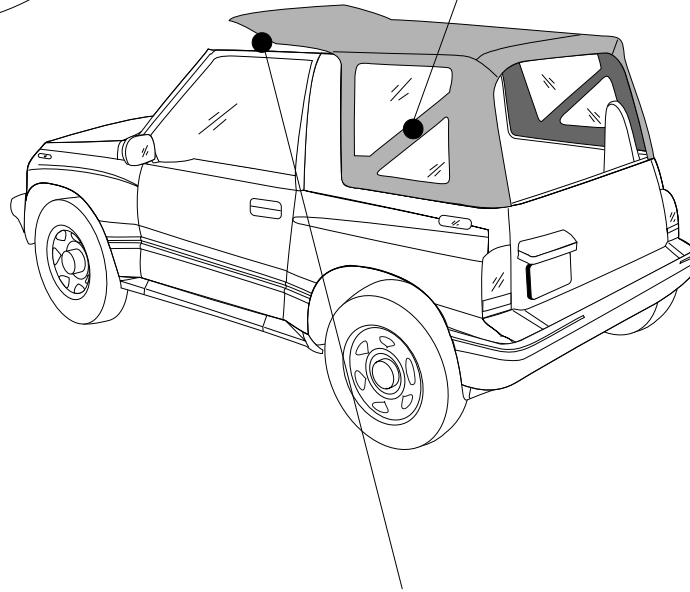
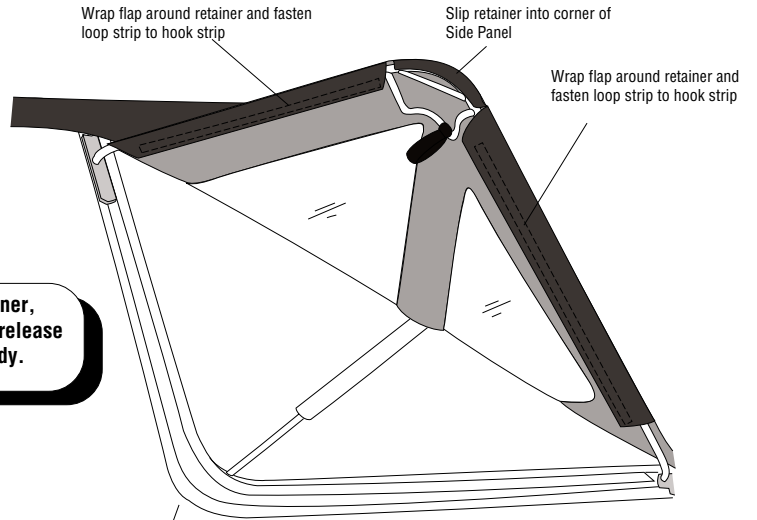
Locate the plastic clips sewn into each rear corner of the top. Pull down and back on the top fabric and slip them into the space under the plastic corner retainer attached to the vehicle. The stop on the inside edge of the plastic clip on the top should line up with the inside edge of the retainer.

Step Five

Pull the Side Window Retainer away from the vehicle body. Slip the Side Window of the top over the retainer. Separate the hook and loop sewn along the front edge of the Side Window, slide the retainer into place and fasten the hook and loop together around it. Then fit the corner of the retainer into place and fasten the hook and loop sewn along the bottom of the panel around the retainer.

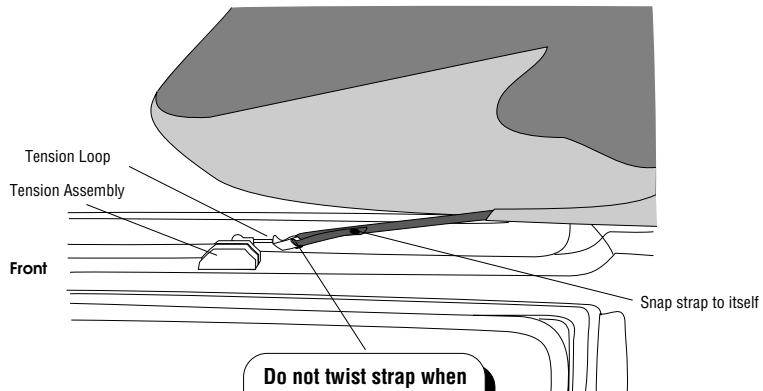


Note: To open Side Window Retainer, pull out and up on the retainer to release it from the clip mounted to the body.



Step Six

Locate the straps, sewn to each side of the top, above the doors. Without twisting the straps, thread them through the loops on the tension assembly. Pull the end of the strap back and snap it to itself.

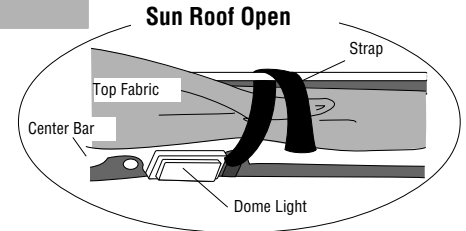
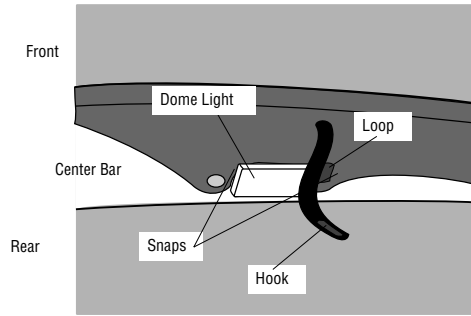


Do not twist strap when threading through loop

Step Seven

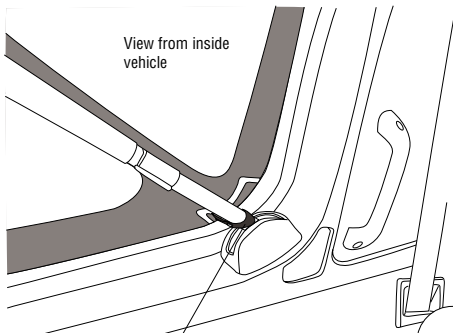
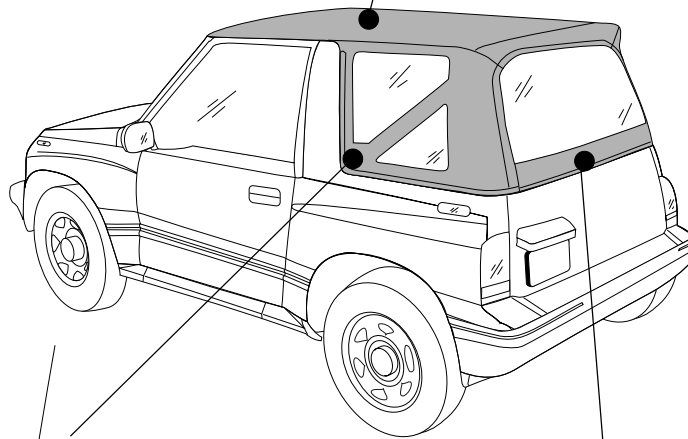
Pull the windshield retainer down and fasten the snaps inside the top to the studs on the center bar.

The hook and loop strap is to hold the windshield retainer securely when the sun roof is open. To use the sun roof, unlock the windshield retainer from the windshield and open it back, folding the fabric top underneath. Locate the small slot in the center of the windshield retainer. Slip the strap through the slot and fasten the hook to the loop sewn to the center flap.



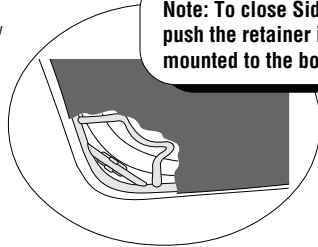
Step Eight

Clip the Side Panel Retainer to the bracket on the vehicle. Wrap the web strap on the retainer around the bow and snap the strap to itself.

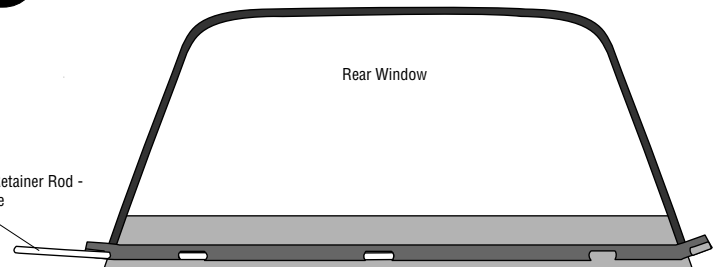


Wrap web strap around bow and snap to itself

Note: To close Side Panel Retainer, push the retainer into the clip mounted to the body.



Rear Window Retainer Rod - Slide into sleeve



Step Nine

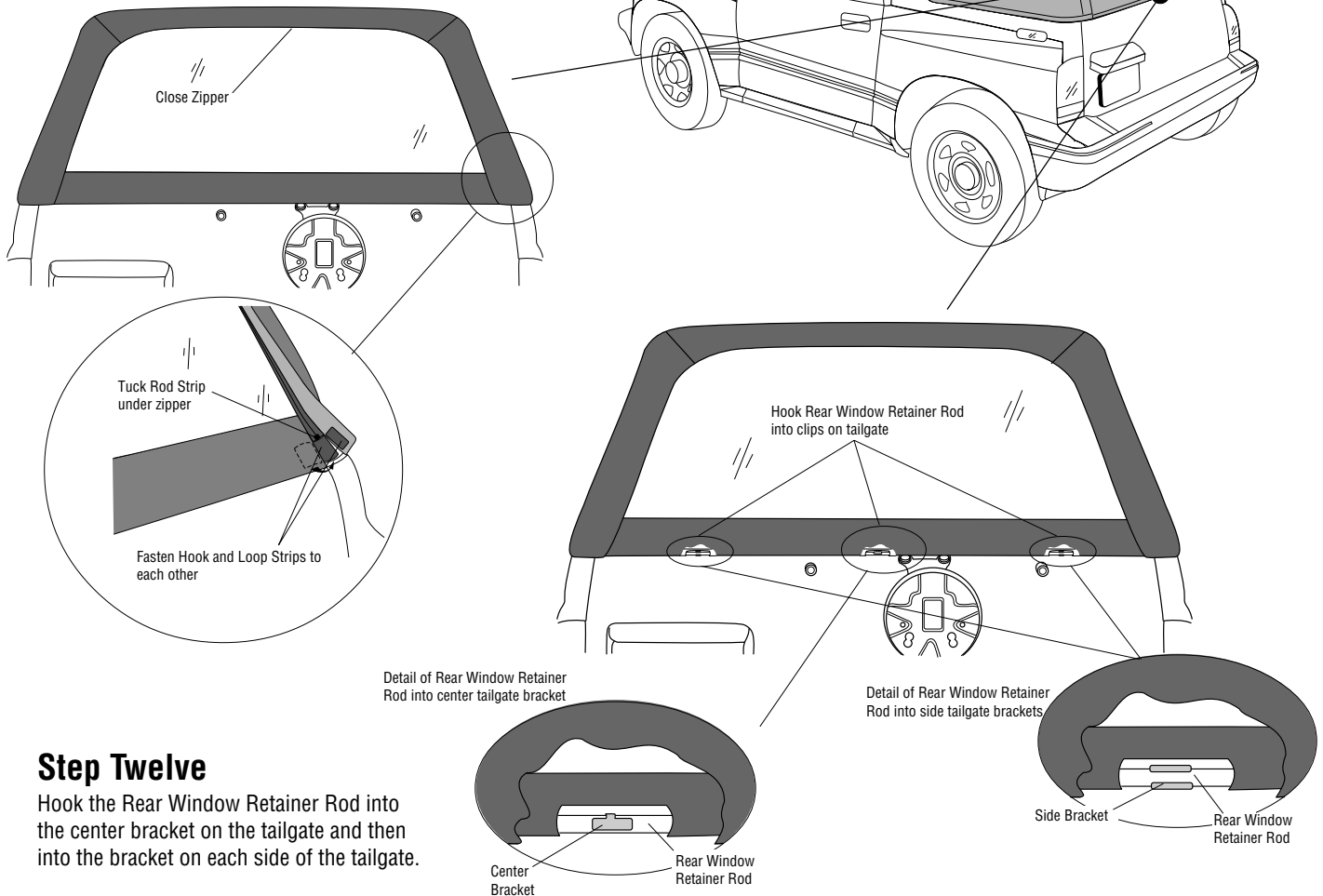
Close and latch the Windshield Retainer securely in place.

Step Ten

Slip the white fiberglass rod from the original top into the sleeve along the bottom of the Rear Window.

Step Eleven

Starting the zipper on the left hand side, close the zipper on the Rear Window. Tuck the rod sleeve on the Rear Window under the zipper. Pull the hook tab around from inside the rear window, below the zipper, and attach it to the loop sewn to the inside of the side panels.



Step Twelve

Hook the Rear Window Retainer Rod into the center bracket on the tailgate and then into the bracket on each side of the tailgate.

LIMITED WARRANTY

We warrant our product to be free from defects in material and workmanship, for the terms specified below, provided there has been normal use and proper maintenance. This warranty applies to the original purchaser only. All remedies under this warranty are limited to the repair or replacement of any item or items found by the factory to be defective within the time period specified.

If you have a warranty claim, first you must call our factory at the number below for instructions. You must retain proof of purchase and submit a copy with any items returned for warranty work. Upon completion of warranty work, if any, we will return the repaired or replaced item or items to you freight prepaid. Damage to our products caused by accidents, fire, vandalism, negligence, misinstallation, misuse, Acts of God, or by defective parts not manufactured by us, is not covered under this warranty.

THE WARRANTY TIME PERIOD IS AS FOLLOWS: ALL "SOFT GOODS" MANUFACTURED BY OUR COMPANY (USING PRIMARILY VINYL, PLASTICS, AND/OR FOAM): ONE YEAR FROM DATE OF PURCHASE.

ANY IMPLIED WARRANTIES OF MERCHANTABILITY AND/OR FITNESS FOR A PARTICULAR PURPOSE CREATED HEREBY ARE LIMITED IN DURATION TO THE SAME DURATION AND SCOPE AS THE EXPRESS WRITTEN WARRANTY. OUR COMPANY SHALL NOT BE LIABLE FOR ANY INCIDENTAL OR CONSEQUENTIAL DAMAGE.

Some states do not allow limitations on how long an implied warranty lasts, or the exclusion or limitation of incidental or consequential damages, so the above limitations or exclusions may not apply to you.

This warranty gives you specific legal rights, and you may also have other rights which vary from state to state.

For further information or request for warranty work, please contact:

Customer Service
877 638-9509