

RTS26/27CH

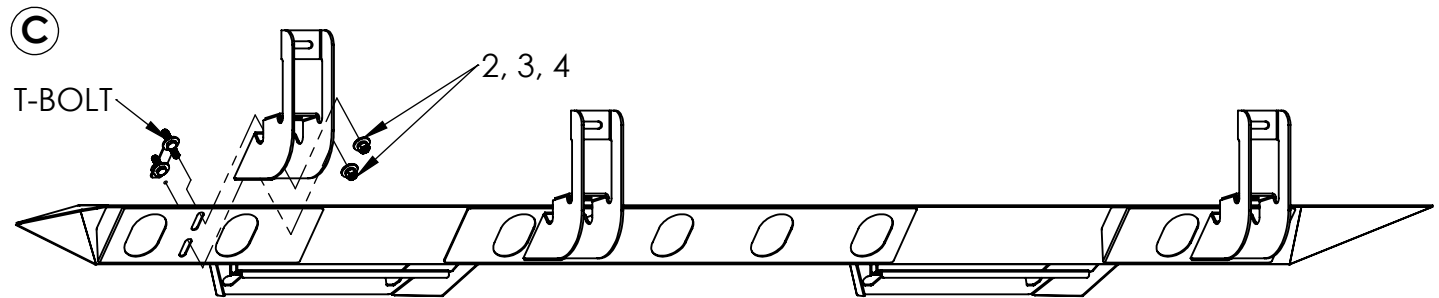
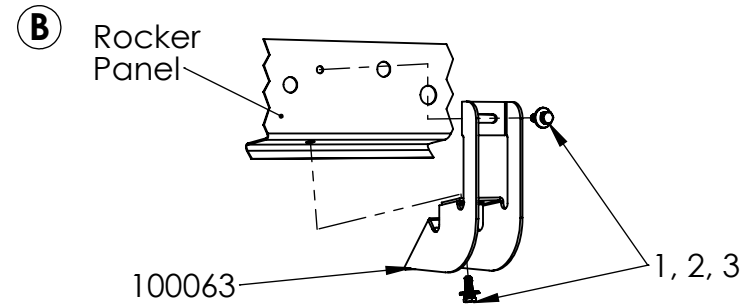
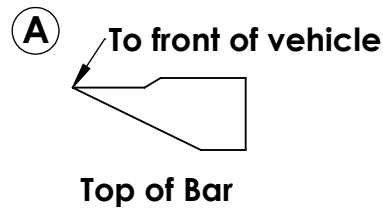
2019 Chevrolet Silverado 1500 Crew/Ext Cab Installation Instructions

Hardware Kit Includes:

- (1) 18 – Hex Head Bolts (M8-1.25 X 20mm) Grade 8
- (2) 24 – Flat Washers (M8) Grade 8
- (3) 24 – Lock Washers (M8) Grade 8
- (4) 6 – Hex Head Nuts (M8-1.25) Grade 8
- (5) 6 – M8 Plastic Push Nuts

Component List:

- (1) 2 – 1 Driver/1 Passenger RT Step
- (2) 6 – Mounting Brackets (100063)
- (3) 6 – T-Bolts (RTSPN175)



**LOOSE FIT ALL COMPONENTS.
DO NOT TIGHTEN UNTIL ALL
COMPONENTS ARE INSTALLED
AND ADJUSTED.**

**DISCLAIMER: USE ONLY
COMPONENTS AND HARDWARE
SUPPLIED BY ICI.
NO SUBSTITUTIONS.**

Step by Step Installation Instructions:

- STEP 1:** Read and understand instructions completely before beginning installation. Remove all old steps and hardware from truck.
- STEP 2:** Locate the driver's side step (the notched end of the Magnum RT Steps goes to the front of the vehicle). See Fig A.
- STEP 3:** Looking underneath the truck there are plastic plugs on the bottom of the rocker panel facing toward the ground. Straight up from these there is another plastic plug. Starting from the front of the cab, locate the first set of these plugs and remove them. Once the plugs are removed, threaded holes should be exposed. Using the step as reference, remove the plastic plugs from the holes that line up with the holes in the step.
- STEP 4:** Loosely fit 100063 brackets to inside of the rocker panel using the provided hardware. See Fig B.
- STEP 5:** Once the brackets are fitted, loose fit RT Steps using provided hardware. See Fig C. Once Magnum RT Step is loose fit, tighten the brackets to the inside rocker (**DO NOT USE IMPACT TOOLS**).
- STEP 6:** Adjust the bar front/back and up/down, then fully tighten.
- STEP 7:** Repeat for opposite side.