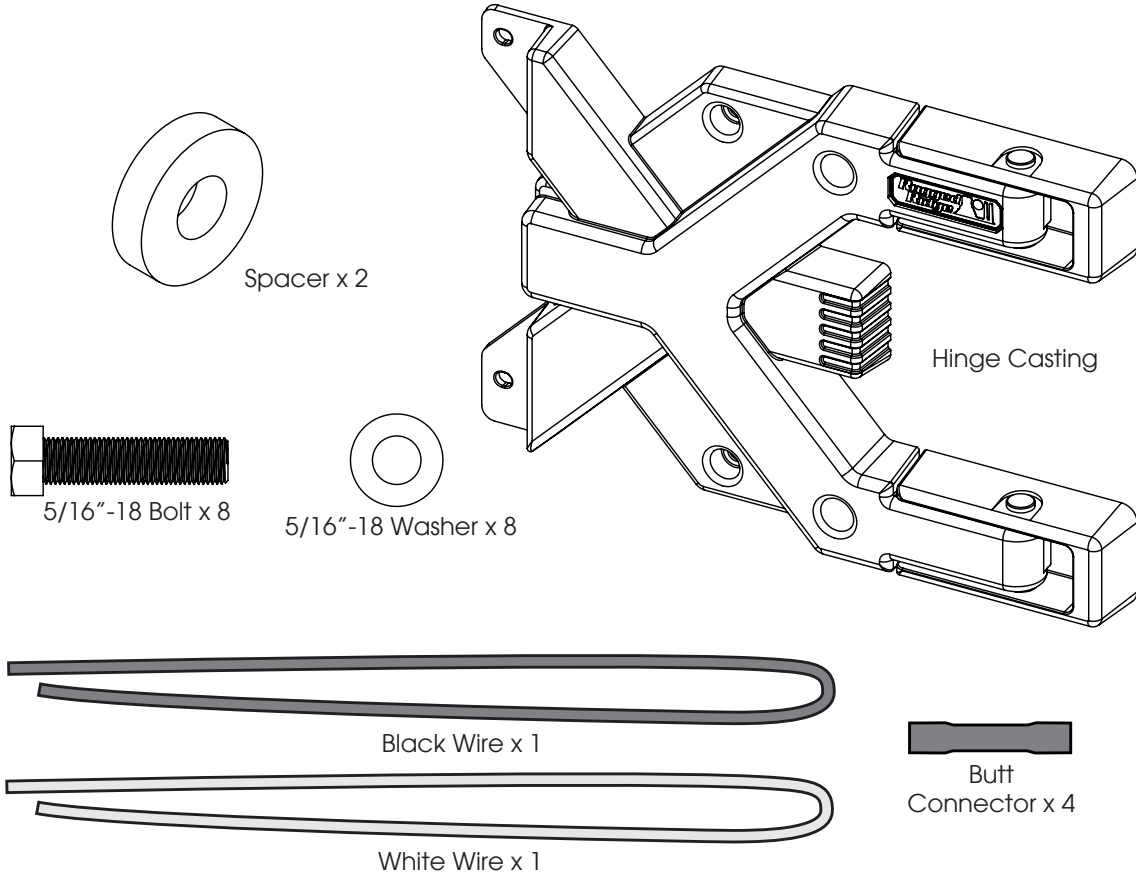
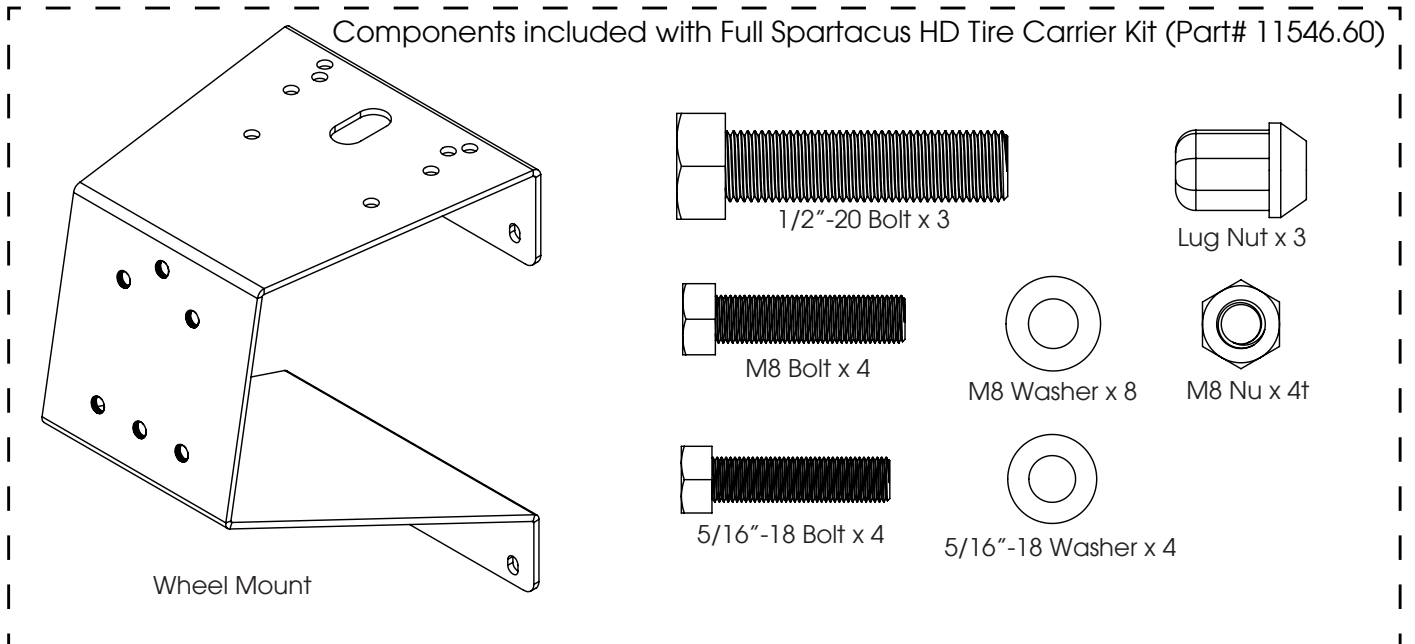


# Spartacus HD Tire Carrier, TJ 97-06



## Components included with Full Spartacus HD Tire Carrier Kit (Part# 11546.60)



### OMIX-ADA® TECHNICAL SUPPORT

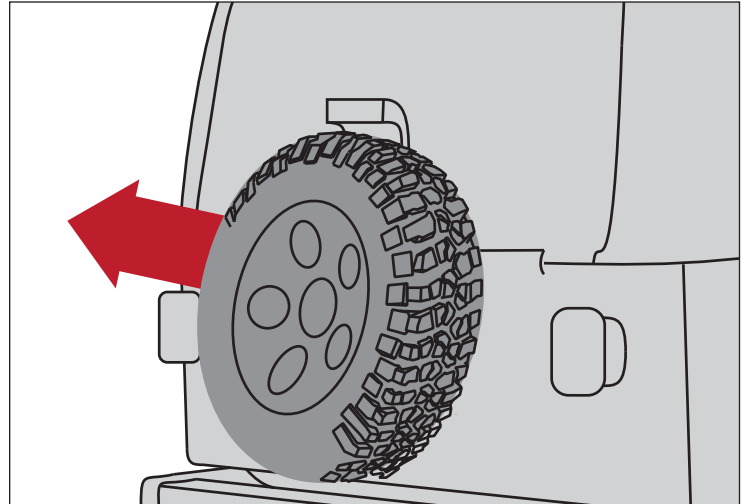
PHONE: M-F 8am - 5pm EST 1-800-449-6649 | EMAIL: [techsupport@omix-ada.com](mailto:techsupport@omix-ada.com)

FOR WARRANTY INFORMATION VISIT: [www.Omix-Ada.com](http://www.Omix-Ada.com)

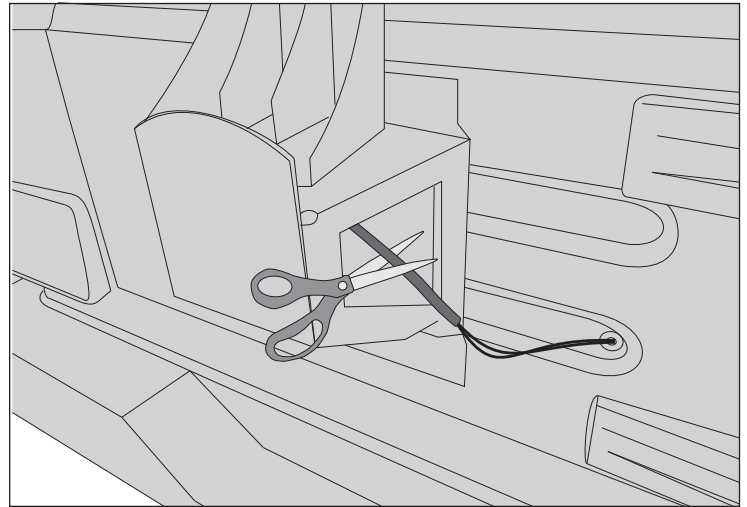
## Spartacus HD Tire Carrier, TJ 97-06

1. Remove spare tire.

**CAUTION** Have another person help lift tire off of carrier.

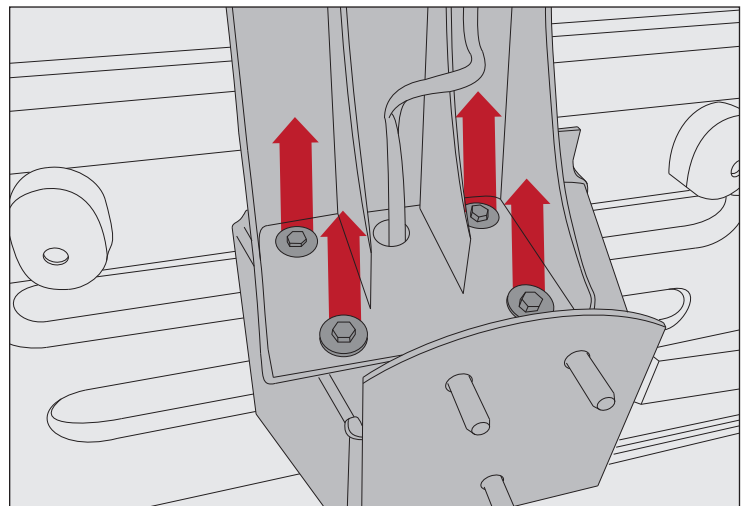


2. Cut third brake light wires and wire loom, near the base of third brake light housing.



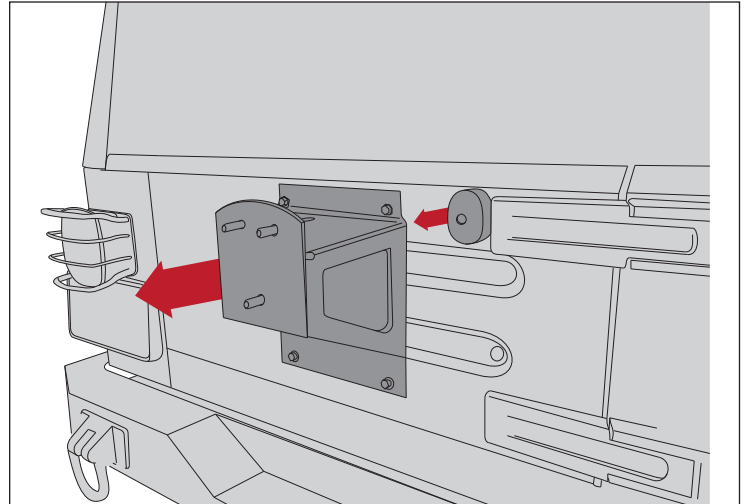
**NOTICE** Skip to step 4 if using stock spare tire carrier.

3. Remove third brake light housing from OE spare tire carrier.



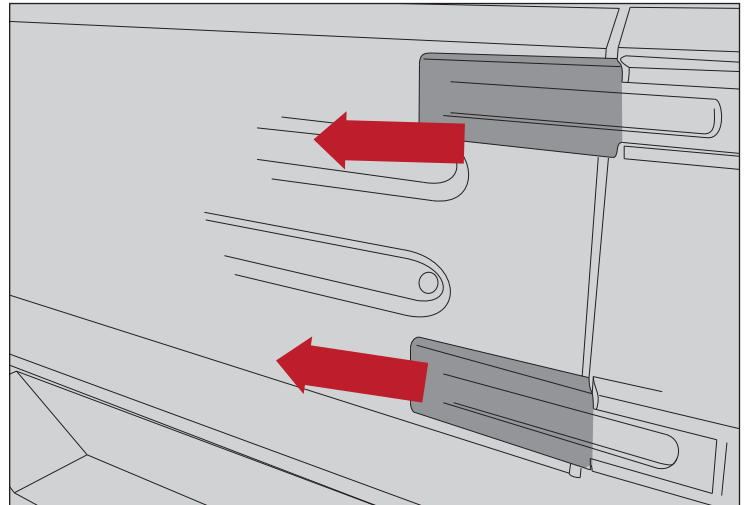
## Spartacus HD Tire Carrier, TJ 97-06

4. Using 1/2" socket, remove OE spare tire carrier. Using T30 Torx bit, remove Rubber Bumper.

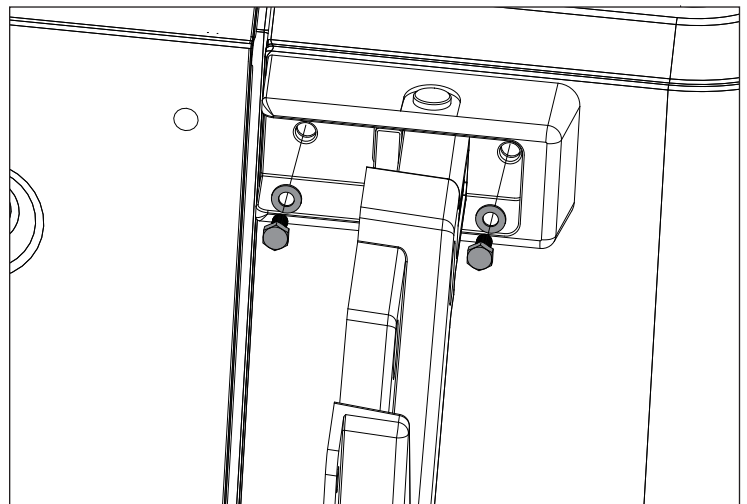


5. Remove stock tailgate hinge plastic covers. Remove stock tailgate hinges.

**NOTICE** Keep tailgate closed from this step until Step 10.



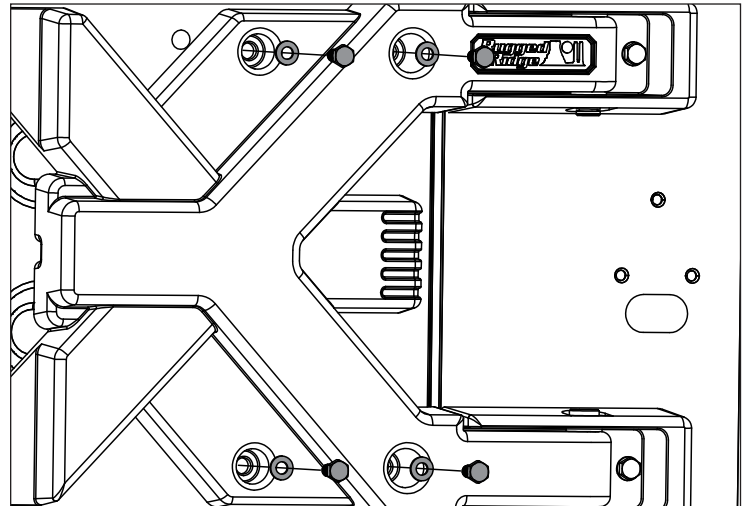
6. Attach HD Hinge Casting to corner panel using supplied 5/16" hardware.



## Spartacus HD Tire Carrier, TJ 97-06

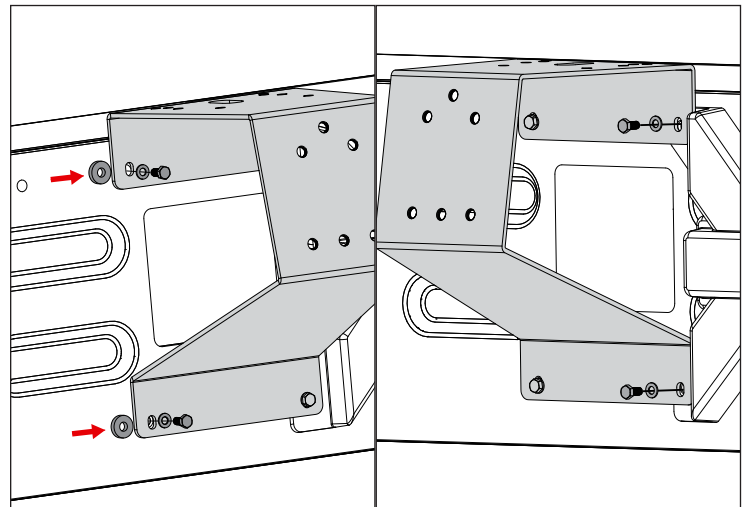
7. Attach HD Hinge Casting to tailgate, using supplied 5/16" hardware. Feed third brake light wires through back side of HD Hinge Casting.

**NOTICE** Be careful not to pinch third brake light wires.



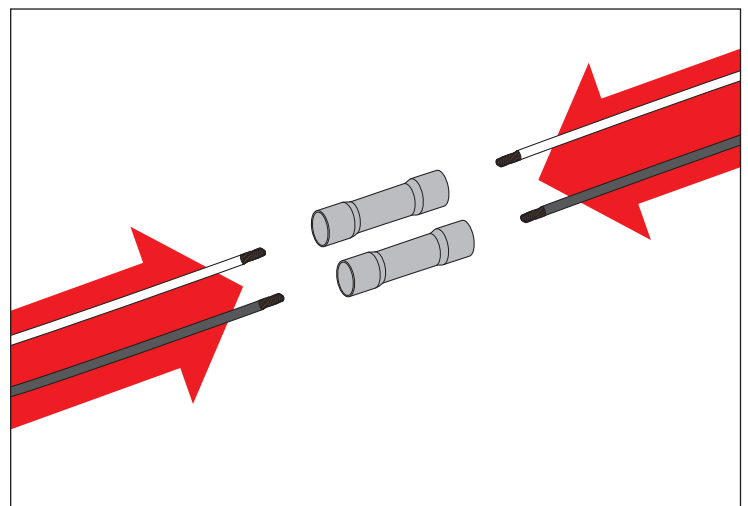
8. **Using Rugged Ridge HD Wheel Mount (part #11546.62):**  
Using supplied 5/16" hardware and spacers, attach Wheel Mount to tailgate. Tighten all bolts.

**Using stock spare tire carrier:**  
Reusing stock hardware and supplied spacers, attach stock spare tire carrier to tailgate. Tighten all bolts.



9. Using wire cutters/crimpers, splice in additional wire length to third brake light wiring.

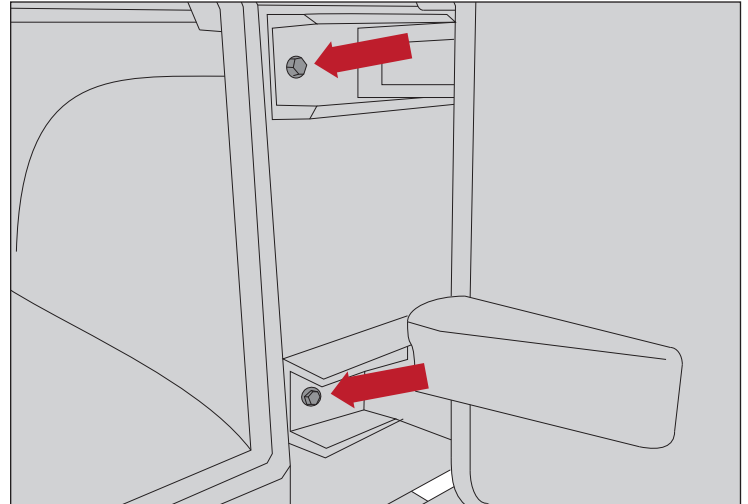
**NOTICE** For driving in wet or winter areas, protect connection with di-electric grease and weather resistant shrink tubing.



## Spartacus HD Tire Carrier, TJ 97-06

10. Check fitment of tailgate by opening and closing tailgate. Make any adjustments as needed. Tighten two 5/16" bolts covered by HD Hinge Casting.

11. Press brake pedal to check brake light functionality.



12. Re-install spare tire and torque lug nuts to 80ft•lb.

**CAUTION** Have another person help lift the tire onto tire carrier.

**WARNING** Failure to tighten lug nuts to proper torque specification could result in serious injury or property damage.

