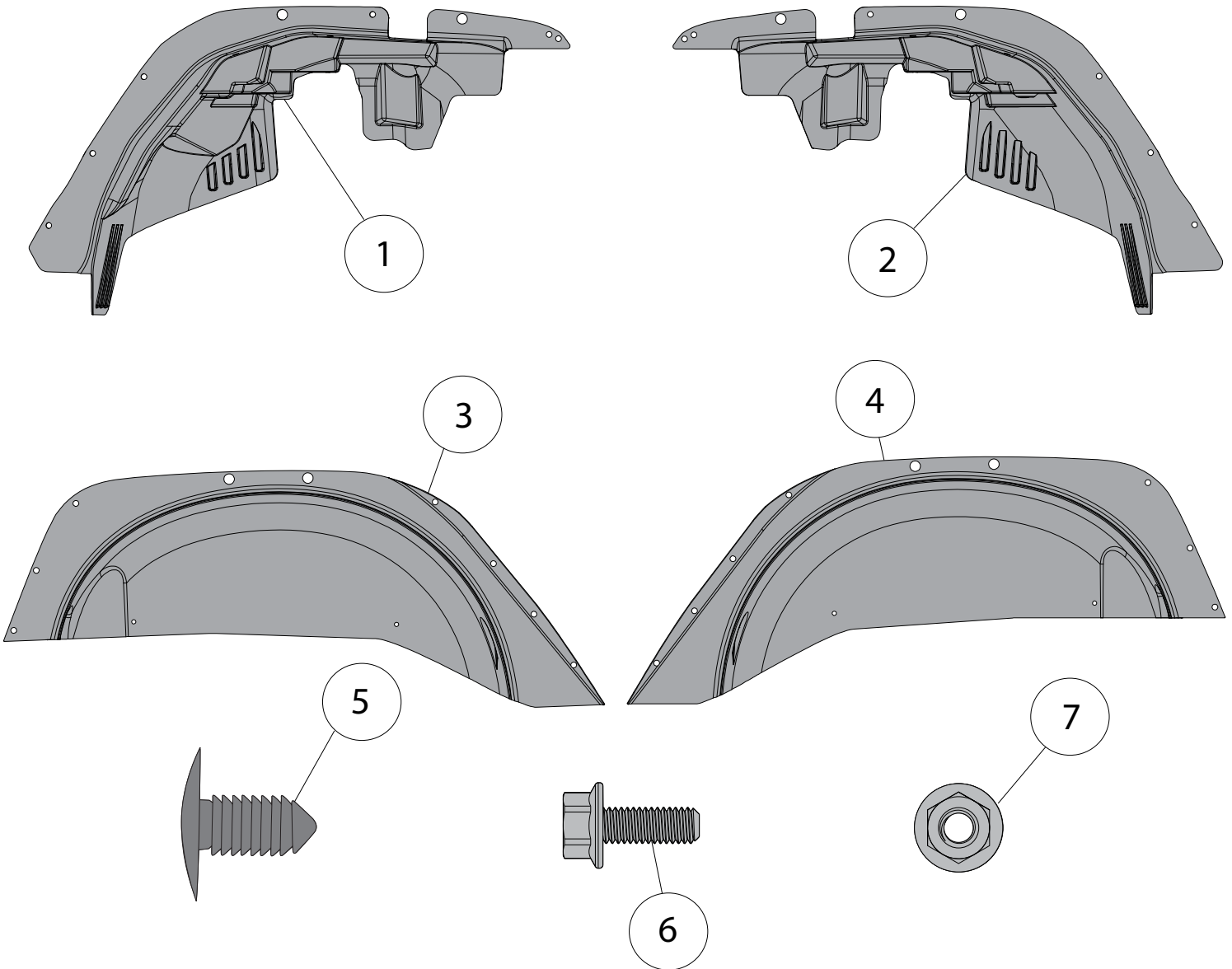


# Gen 2 All-Terrain Fender Liner Kit, JK



## Components

1. Front Right Fender Liner	(1)	5. Push Rivet	(28)
2. Front Left Fender Liner	(1)	6. M6 Bolt	(8)
3. Rear Right Fender Liner	(1)	7. M6 Nut	(8)
4. Rear Left Fender Liner	(1)		

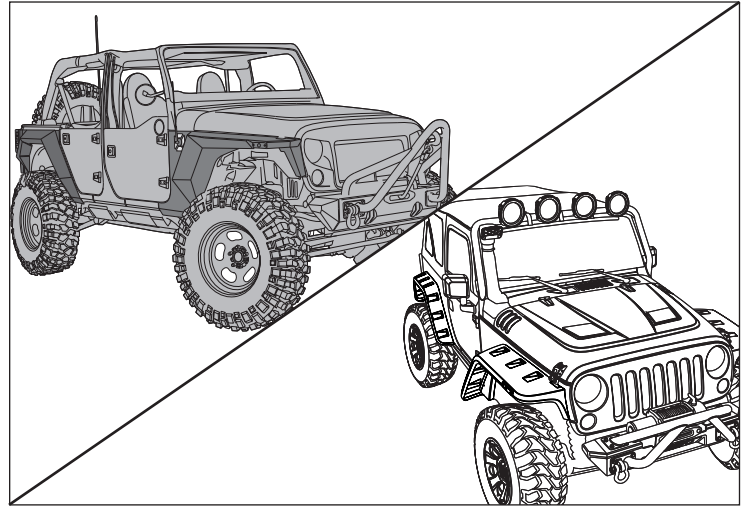
### OMIX-ADA® TECHNICAL SUPPORT

PHONE: M-F 8am - 5pm EST 1-800-449-6649 | EMAIL: techsupport@omix-ada.com

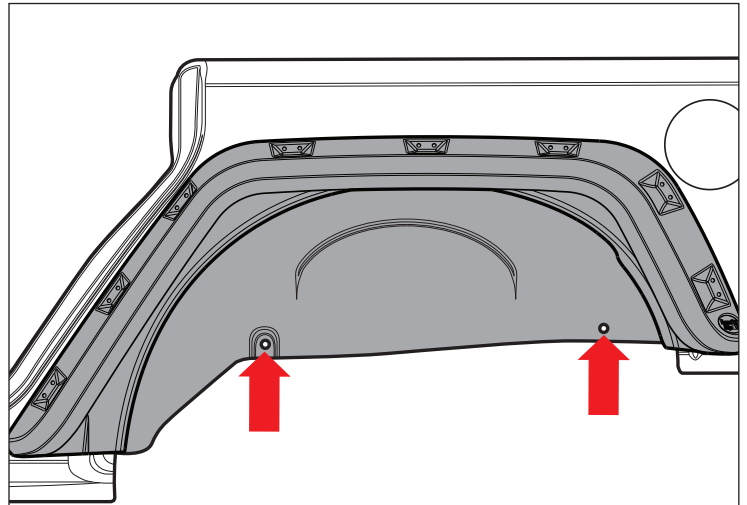
FOR WARRANTY INFORMATION VISIT: [www.Omix-Ada.com](http://www.Omix-Ada.com)

## Gen 2 All-Terrain Fender Liner Kit, JK

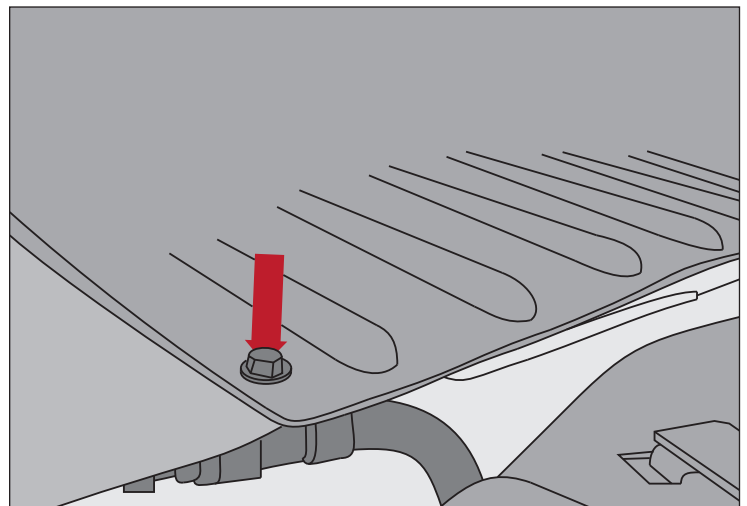
Follow all Rugged Ridge Flare or Armor Fender Instructions until it specifies to attach OE or aftermarket fender liners.



1. Remove all mounting hardware for rear flares except top 2 bolts. Loosely attach Rear Fender Liner to Rear Fender Well using supplied M6 hardware.

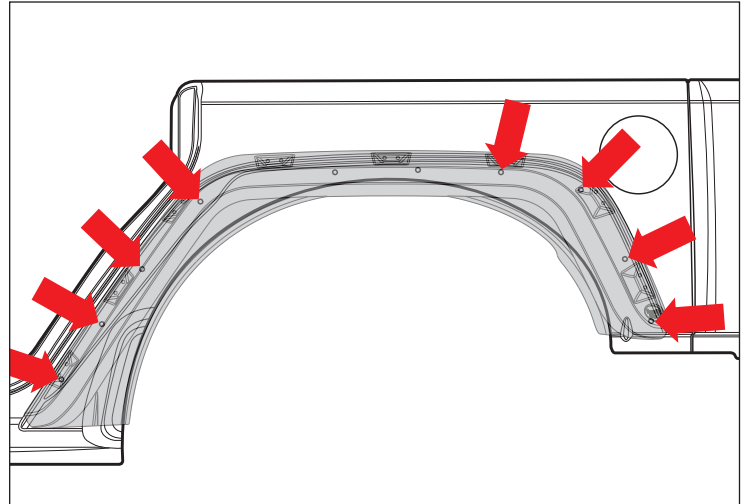


2. On passenger side align axle vent hose to Rear Fender Well. Using supplied M6 hardware attach axle vent hose to Rear Fender Well and Fender Liner.



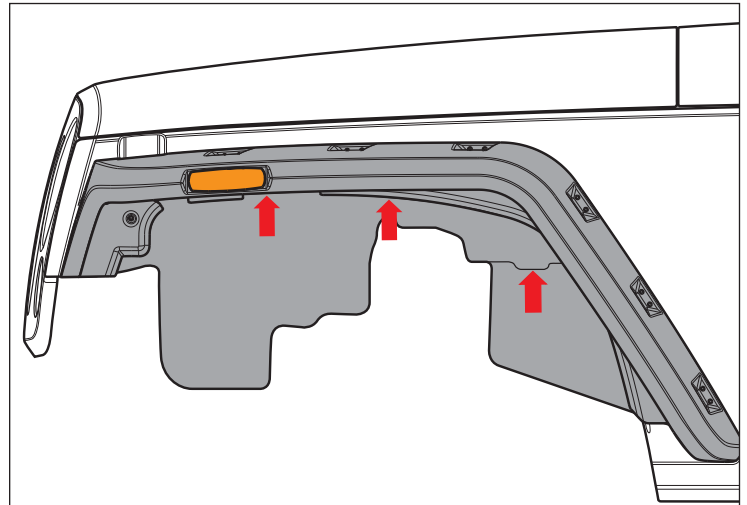
## Gen 2 All-Terrain Fender Liner Kit, JK

3. Align Fender Liner to OE Fender. Using supplied Push Rivets attach Fender Liner. Tighten all hardware.



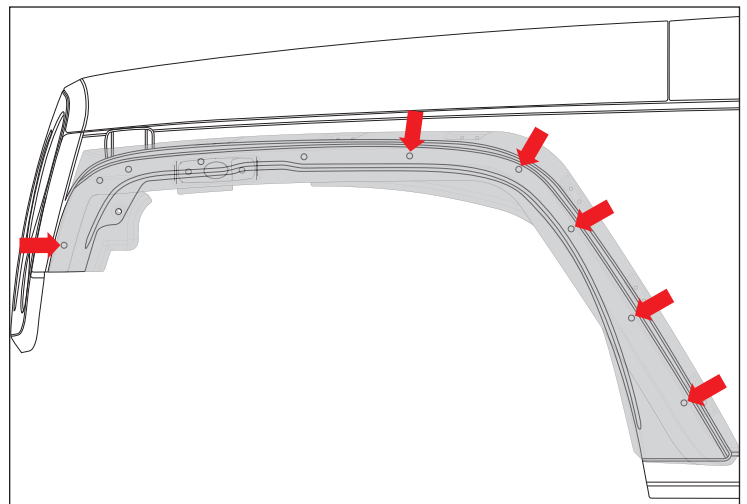
4. Loosely attach Front Fender Liner using OE hardware to underside of front inner fender well.

**NOTICE** Skip to step 6 if using Rugged Ridge Armor Fenders.



5. Remove all mounting hardware for front flares except top 2 bolts. Align Fender Liner with holes on OE Fender and flares. Using Push Rivets, mount Fender Liner to OE Fender. Tighten all hardware.

**NOTICE** Skip to step 6 if using aftermarket flares.



## Gen 2 All-Terrain Fender Liner Kit, JK

6. Attach Fender Liner to Front Bracket on Armor Fender using Fender hardware.

