



OMIX-ADA, Inc.

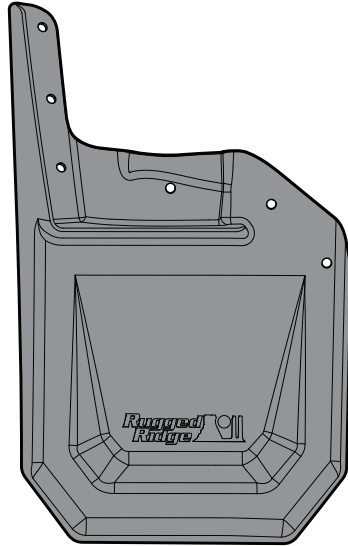


11642.10 Front + Rear Kit  
 11642.11 Front Kit  
 11642.12 Rear Kit

# JEEP® JK SPLASH GUARDS

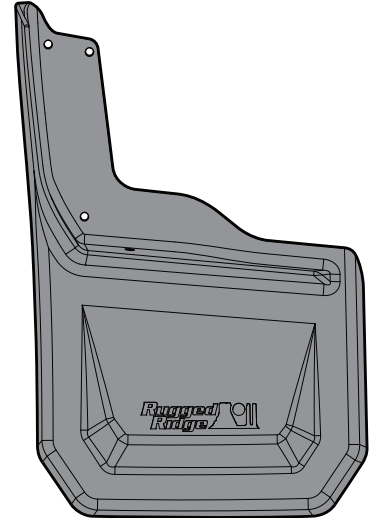
### Front Kit Contents:

- (2) Front Splash Guard
- (12) Long Phillips Head Screw
- (12) Washers
- (12) Clip-on Nut



### Rear Kit Contents:

- (2) Rear Splash Guard
- (8) Short Phillips Head Screw

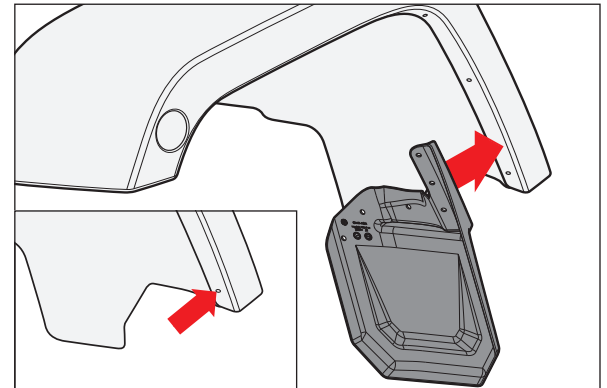


## NOTICE

Splash guard are are designed to be fitted to factory front flares and factory rear bumper.

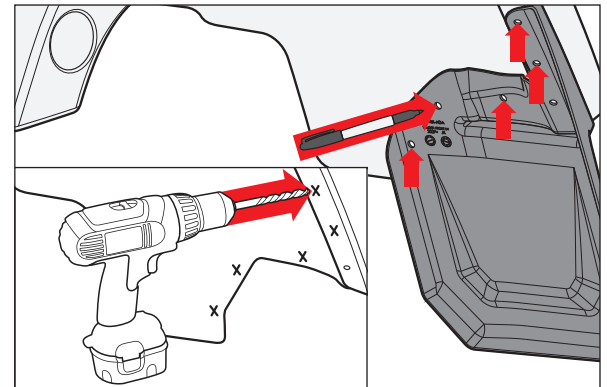
1. Remove the factory rivet located in the lower corner of the factory fender flare.

Place front splash guard against factory fender flare.



2. Use splash guard as a guide to mark guide holes.

Drill into marks made using a 13/64 drill bit.



### OMIX-ADA® TECHNICAL SUPPORT

PHONE: M-F 8am - 5pm EST 1-800-449-6649 | EMAIL: [techsupport@omix-ada.com](mailto:techsupport@omix-ada.com)

FOR WARRANTY INFORMATION VISIT: [www.Omix-Ada.com](http://www.Omix-Ada.com)



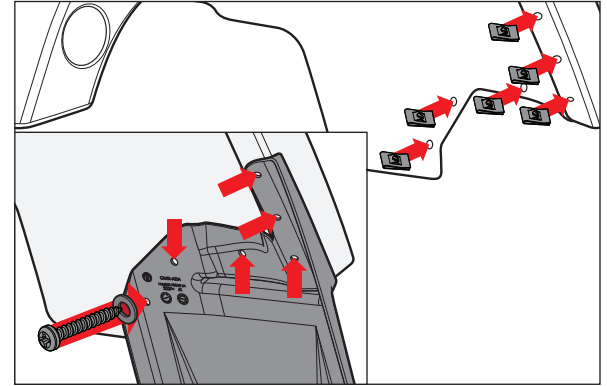
OMIX-ADA, Inc.



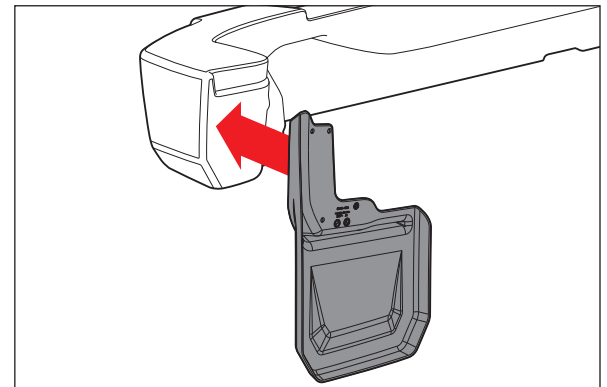
11642.10 Front + Rear Kit  
11642.11 Front Kit  
11642.12 Rear Kit

# JEEP® JK SPLASH GUARDS

3. Attach clip-on nuts. Attach splash guard with long phillips head screws and washers.

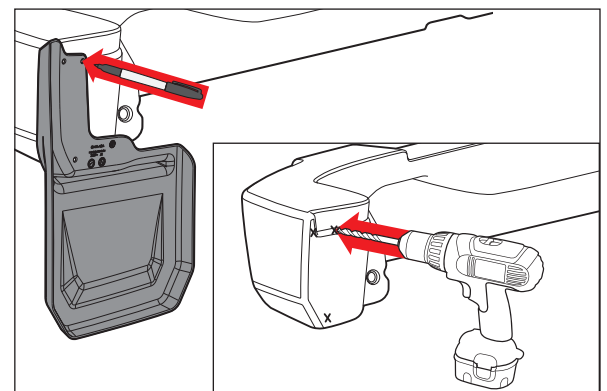


4. Place rear splash guard against factory bumper.



5. Use splash guard as a guide to mark guide holes.

Drill into marks made using a 13/64 drill bit.



6. Attach splash guard with short phillips head screws.

