

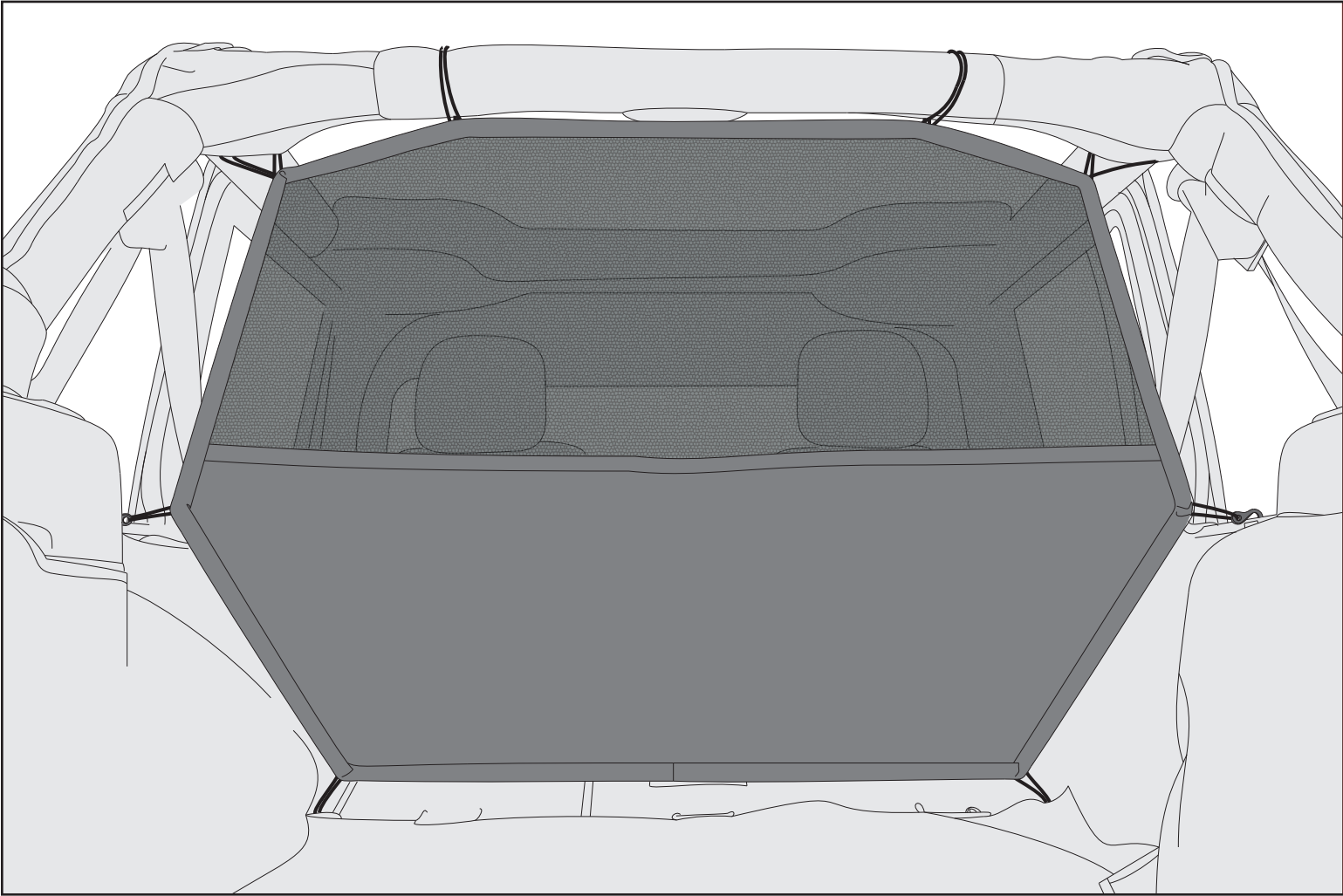


OMIX-ADA, Inc.

460 HORIZON DR. SUITE 100 | SUWANEE, GA 30024 | PHONE: 770-614-6101 | FAX: 770-614-6069 | info@omix-ada.com

Part 13260.06

C2 Canine Curtain, Rear



OMIX-ADA® TECHNICAL SUPPORT

PHONE: M-F 8am - 5pm EST 1-800-449-6649 | **EMAIL:** techsupport@omix-ada.com

FOR WARRANTY INFORMATION VISIT: www.Omix-Ada.com

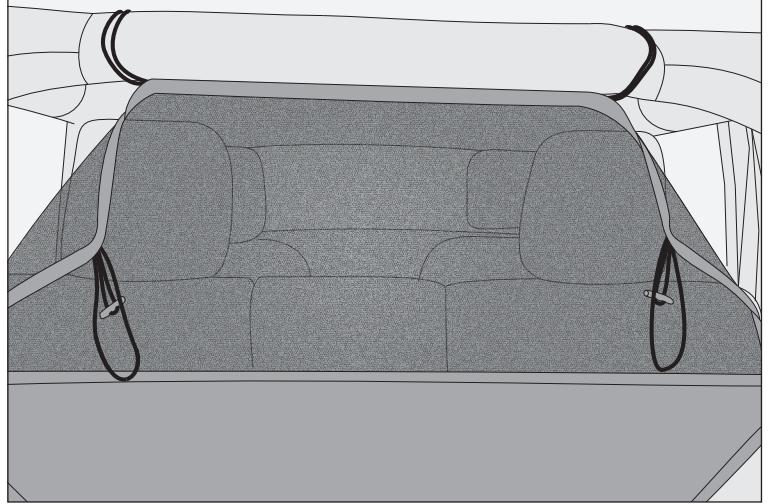


OMIX-ADA, Inc.

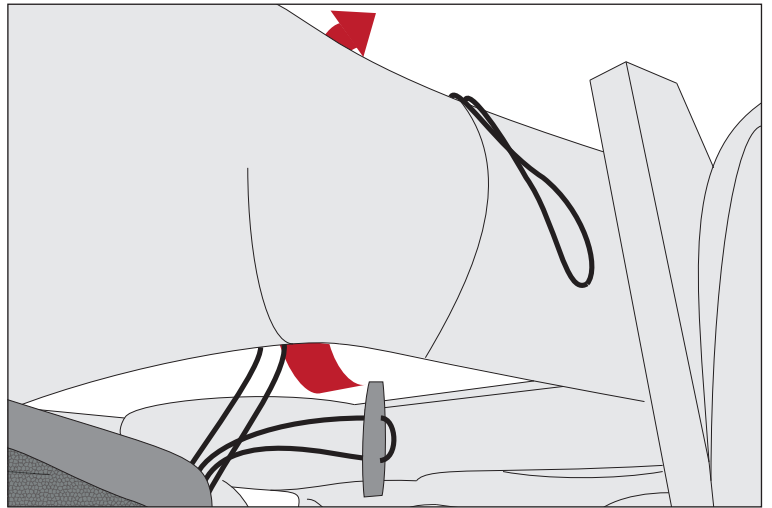
460 HORIZON DR. SUITE 100 | SUWANEE, GA 30024 | PHONE: 770-614-6101 | FAX: 770-614-6069 | info@omix-ada.com

C2 Canine Curtain, Rear

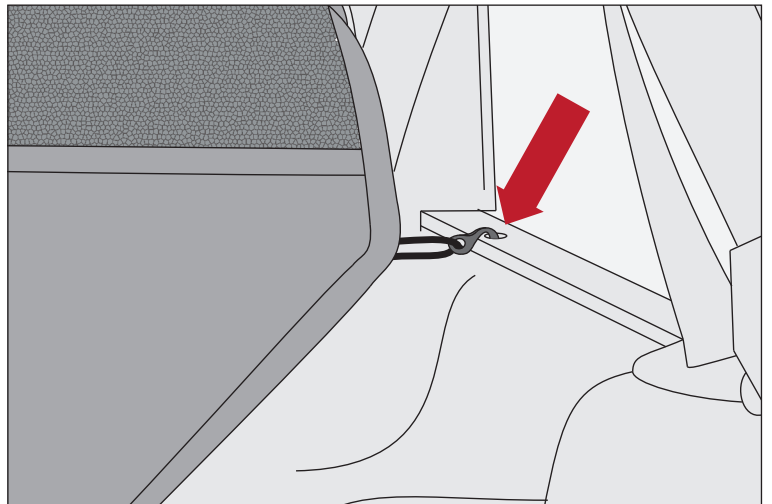
1. Loop and secure two topmost bungees around middle portion of rear sound bar.



2. Loop and secure two top outer bungees around roll cage near rear surrounds.



3. Secure side hooks into body tub holes as shown on right.

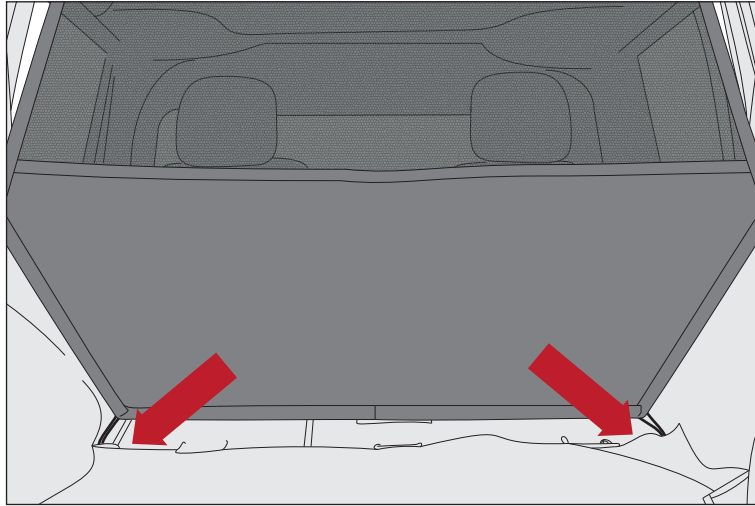




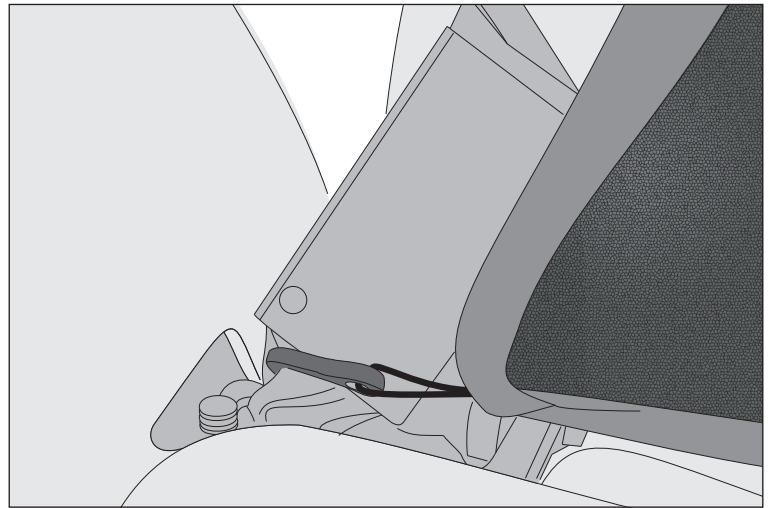
OMIX-ADA, Inc.

460 HORIZON DR. SUITE 100 | SUWANEE, GA 30024 | PHONE: 770-614-6101 | FAX: 770-614-6069 | info@omix-ada.com

C2 Canine Curtain, Rear



4. Secure lower corner hooks to base of seatbelt strap as shown on right and referenced above.



5. Loop bottom hooks around seat rails and secure to looped base of bungee as shown on right and referenced above.

