

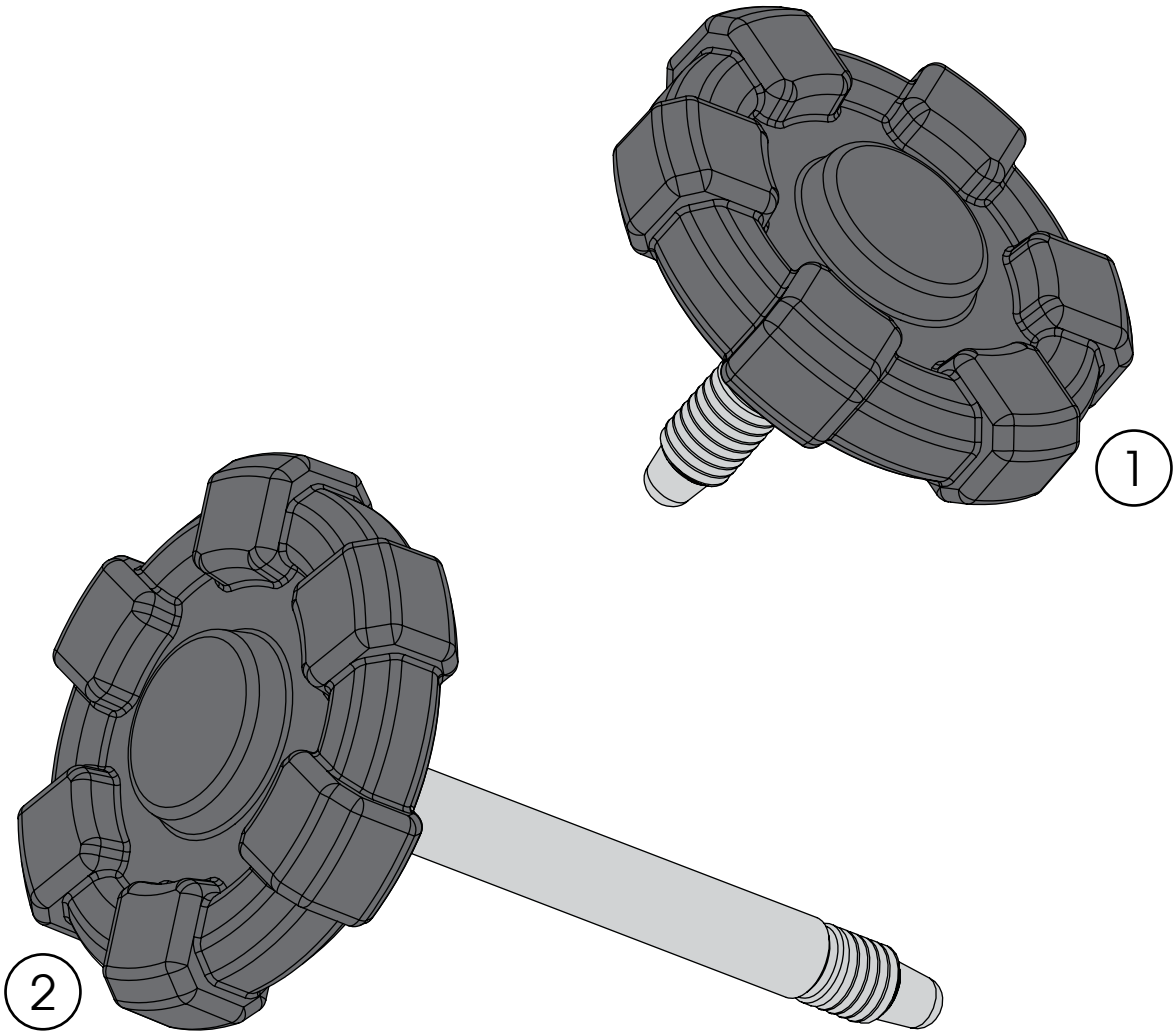


OMIX-ADA, Inc.

Part # 13510.13
13510.14

460 HORIZON DR. SUITE 400 | SUWANEE, GA 30024 | PHONE: 770-614-6101 | FAX: 770-614-6069 | info@omix-ada.com

Elite Door Surround Knobs



Components

1. Short Knob

(0 - 13510.13)
(2 - 13510.14)

2. Long Knob

(4 - 13510.13)
(4 - 13510.14)

OMIX-ADA® TECHNICAL SUPPORT

PHONE: M-F 8am - 5pm EST 1-800-449-6649 | EMAIL: techsupport@omix-ada.com

FOR WARRANTY INFORMATION VISIT: www.Omix-Ada.com



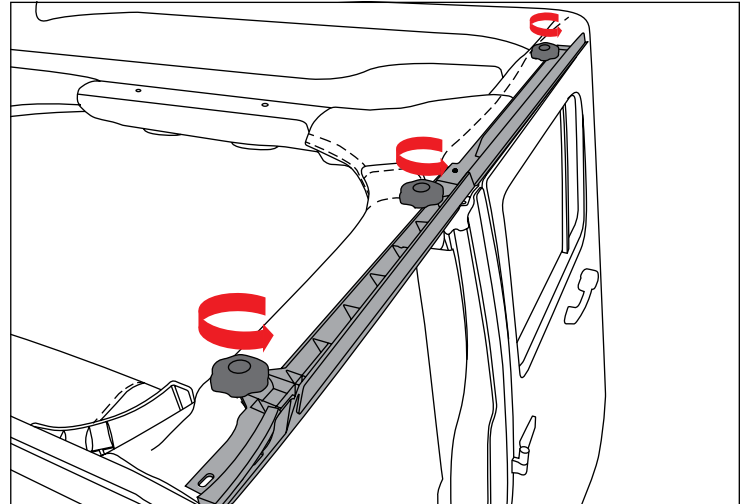
OMIX-ADA, Inc.

460 HORIZON DR. SUITE 400 | SUWANEE, GA 30024 | PHONE: 770-614-6101 | FAX: 770-614-6069 | info@omix-ada.com

Elite Door Surround Knobs

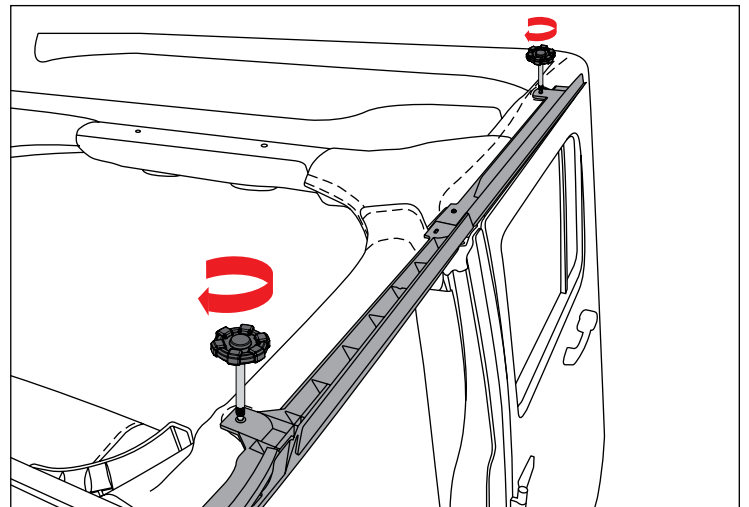
1. Fold back top and unscrew factory door surround knobs.

NOTE: Image shown using four door Wrangler. Two door models will not have back most knobs.



2. **If installing on 2 Door JK Wrangler:** Install Long Knobs in all four holes.

If installing on 4 Door JK Wrangler: Install Long Knobs in holes nearest the windshield and backmost holes.



3. **If installing on 4 Door JK Wrangler:** Install Short Knobs in holes nearest sound bar.

