

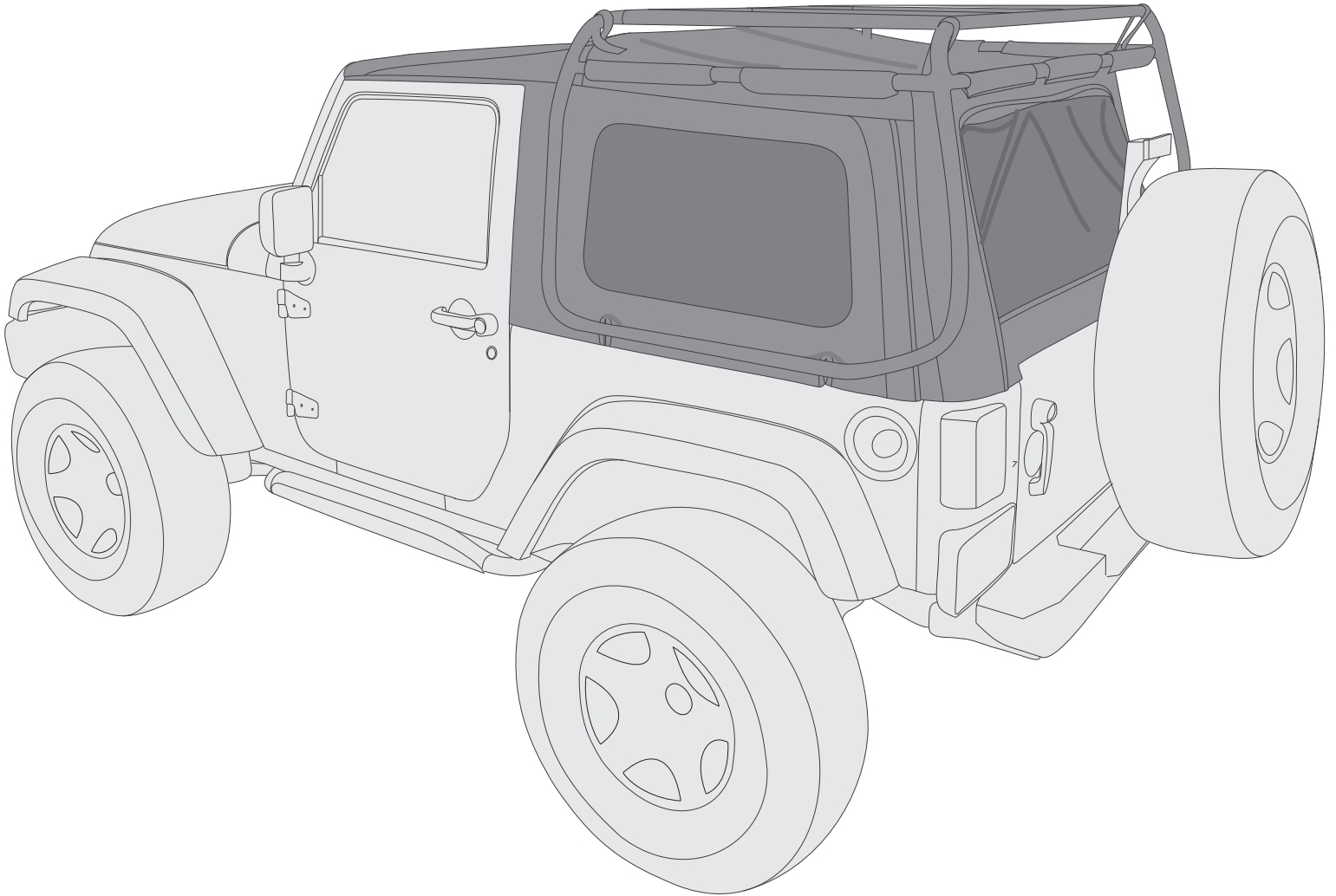


OMIX-ADA, Inc.

460 HORIZON DR. SUITE 400 | SUWANEE, GA 30024 | PHONE: 770-614-6101 | FAX: 770-614-6069 | info@omix-ada.com

Part 13516.01

2-Door EXO-Top Roof Rack System



! WARNING

The EXO-Top Roof Rack System is rated to a dynamic 300 lb, evenly distributed load. Further loading could result in serious injury or death.

NOTICE

Minor weeping may occur after first rain, as fabric will adjust to moisture. See maintenance for further instructions.



For more detailed installation and operating instructions, visit <http://www.ruggedridge.com/exo-top-4-door-07-15-jeep-wrangler-jk-13516-01.html> to view Instructional Video.

OMIX-ADA® TECHNICAL SUPPORT

PHONE: M-F 8am - 5pm EST 1-800-449-6649 | EMAIL: techsupport@omix-ada.com

FOR WARRANTY INFORMATION VISIT: www.Omix-Ada.com



OMIX-ADA, Inc.

460 HORIZON DR. SUITE 400 | SUWANEE, GA 30024 | PHONE: 770-614-6101 | FAX: 770-614-6069 | info@omix-ada.com

Table of Contents

Important Safety Information	(3)
Components List	(4)
Section A - Preparing for Installation; Removal of Factory Top	(8)
Section B - Cage Assembly and Installation	(11)
Section C - Surrounds Assembly and Installation	(13)
Section D - Bow and Slider Assembly and Installation	(14)
Section E - Soft Top Assembly and Installation	(19)
Operating Procedure	(25)
Care and Maintenance	(29)



OMIX-ADA, Inc.

460 HORIZON DR. SUITE 400 | SUWANEE, GA 30024 | PHONE: 770-614-6101 | FAX: 770-614-6069 | info@omix-ada.com

Important Safety Information

Your Rugged Ridge® Exo-Top is intended to increase the utility and enjoyment of your vehicle. Before installation, please take a moment to review the following safety information and installation instructions. Important safety information is generally preceded by one of three signal words indicating the relative risk of injury. The signal words mean:

WARNING

A hazardous situation which, if not avoided, could result in death or serious injury. You CAN be killed or seriously hurt if you don't follow instructions.

CAUTION

A hazardous situation which, if not avoided, could result in minor or moderate injury. You CAN be moderately hurt and also may suffer property damage if you don't follow instructions.

NOTICE

Careful attention is required to this instruction or operation but does not generally relate to personal injury. Damage to your product or other property may result if you don't follow instructions.

We hope you enjoy your Rugged Ridge® purchase and are here to help if you still have questions after reviewing this safety information and instructions. See Customer Service contacts included with your Limited Warranty.

NOTICE These parts are required for all Hardtop owners:

Header - 68049276AB
 Tailgate Bar - 55395757AC
 Tailgate Bar Retainer, RH - 55395760AB
 Tailgate Bar Retainer, LH - 55395761AB

Before beginning, please review the suggested list of tools required for install to ensure a prepared and smooth install of your Rugged Ridge® Exo-Top:

- Phillips Head Screwdriver
- Flat Head Screwdriver
- Allen Keys (5 and 6mm)
- 13mm Socket
- T30 Torx Bit
- Socket Wrench
- Torque Wrench
- Marker
- Hobby Knife
- Black Sealant (Permatex® or similar)

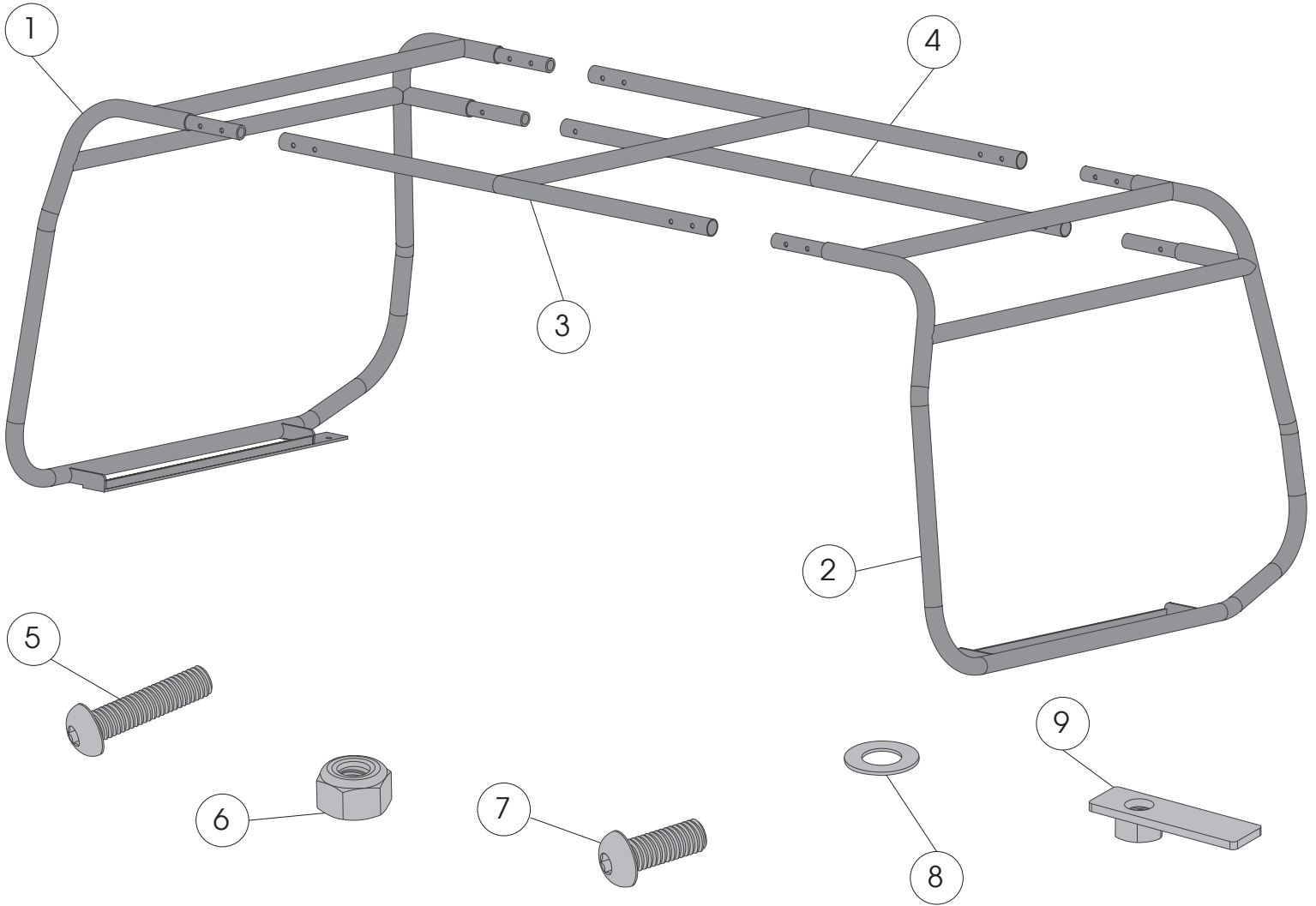


OMIX-ADA, Inc.

460 HORIZON DR. SUITE 400 | SUWANEE, GA 30024 | PHONE: 770-614-6101 | FAX: 770-614-6069 | info@omix-ada.com

Components List

NOTICE Ensure all components and hardware are provided before beginning installation process.



Cage Assembly

Cage Hardware

- | | | | |
|-------------|-----|-------------------------|------|
| 1. Base, LH | (1) | 5. M8 Button Head Bolt | (10) |
| 2. Base, RH | (1) | 6. M8 Hex Nut | (10) |
| 3. Top Bar | (1) | 7. M10 Button Head Bolt | (4) |
| 4. Rear Bar | (1) | 8. M10 Washer | (4) |
| | | 9. Nut Plate | (4) |

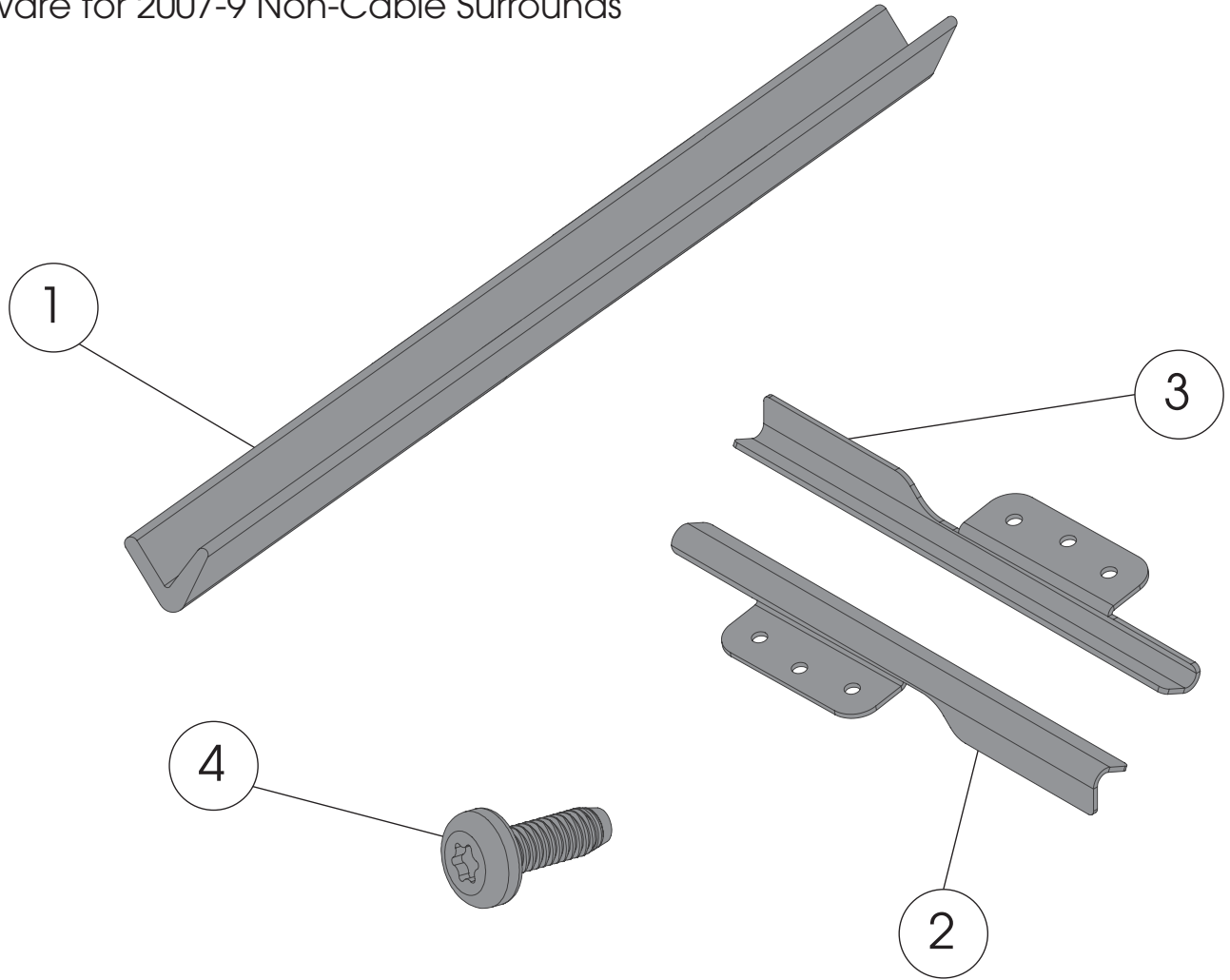


OMIX-ADA, Inc.

460 HORIZON DR. SUITE 400 | SUWANEE, GA 30024 | PHONE: 770-614-6101 | FAX: 770-614-6069 | info@omix-ada.com

Components List

*Hardware for 2007-9 Non-Cable Surrounds



Surrounds Assembly

- 1. Cable Retainer (2)
- 2. Gutter Bracket, LH (1)
- 3. Gutter Bracket, RH (1)

Surrounds Hardware

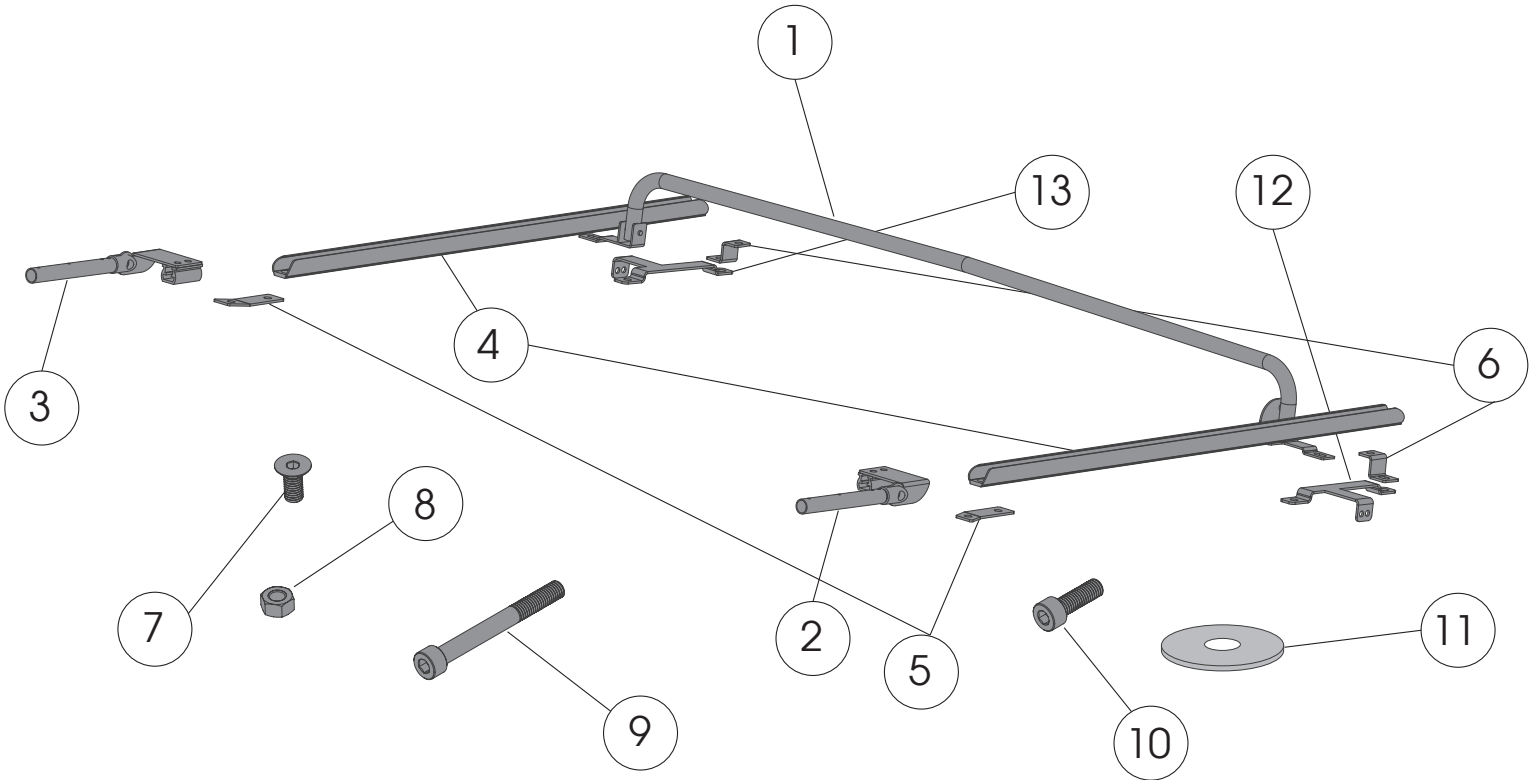
- 4. Self Tapping Screw (2)



OMIX-ADA, Inc.

460 HORIZON DR. SUITE 400 | SUWANEE, GA 30024 | PHONE: 770-614-6101 | FAX: 770-614-6069 | info@omix-ada.com

Components List



Slider System Assembly

- 1. Front Bow Assembly (1)
- 2. Carriage Assembly, LH (1)
- 3. Carriage Assembly, RH (1)
- 4. Rail (2)

Slider System Hardware

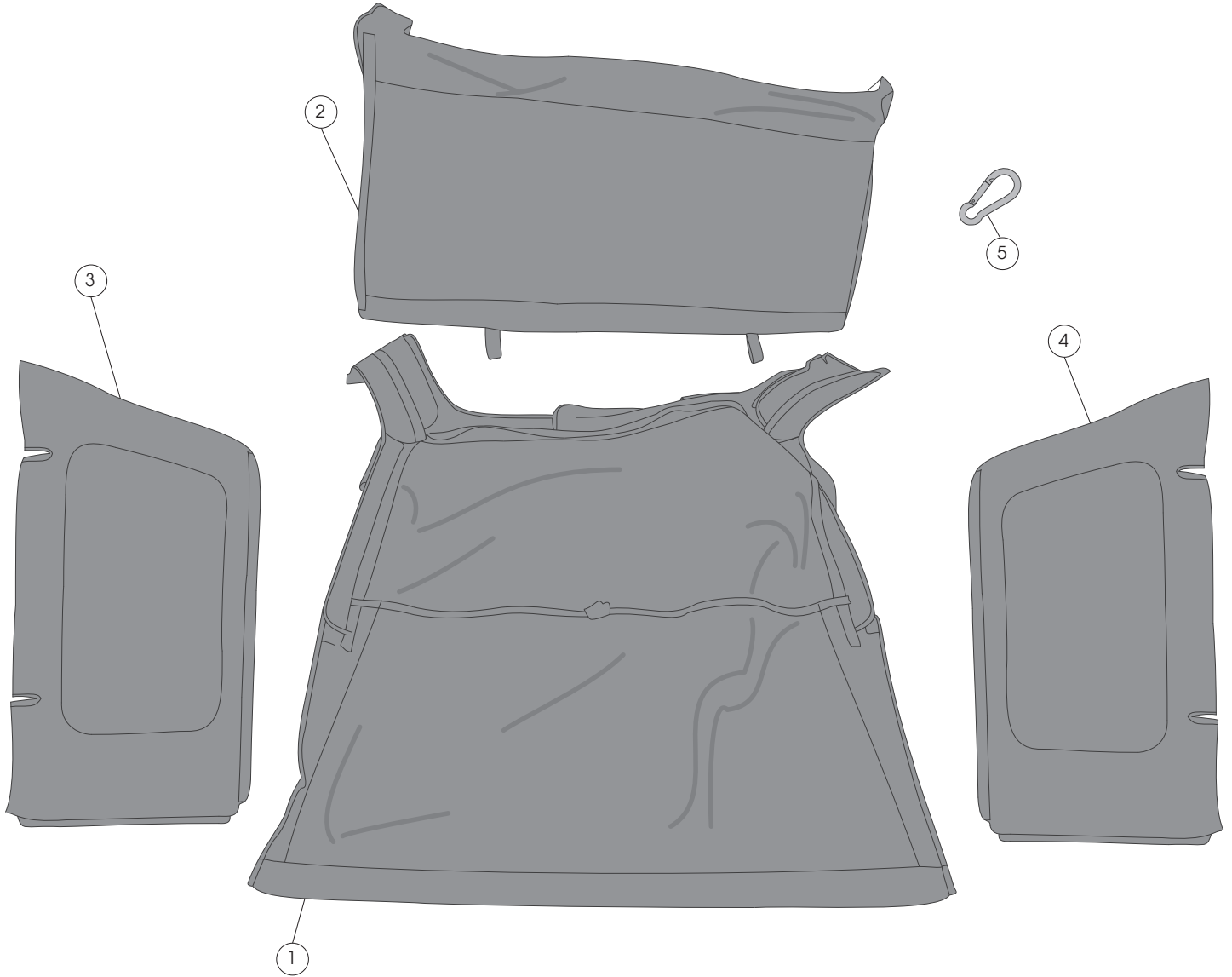
- 5. Front Rail Bracket (2)
- 6. Mid-Rail Bracket (2)
- 7. M8x18 Flathead Bolt (6)
- 8. M8 Nylon Lock Nut (6)
- 9. Socket Cap Screw, long (4)
- 10. Socket Cap Screw, short (2)
- 11. Flat Washer (4)
- 12. Cable Bracket, LH (1)
- 13. Cable Bracket, RH (1)



OMIX-ADA, Inc.

460 HORIZON DR. SUITE 400 | SUWANEE, GA 30024 | PHONE: 770-614-6101 | FAX: 770-614-6069 | info@omix-ada.com

Components List



Soft Top Assembly

Soft Top Hardware

- 1. Soft Top Fabric
- 2. Rear Window
- 3. Side Window, LH
- 4. Side Window, RH

- (1)
- (1)
- (1)
- (1)

- 5. Carabiner

- (2)



OMIX-ADA, Inc.

460 HORIZON DR. SUITE 400 | SUWANEE, GA 30024 | PHONE: 770-614-6101 | FAX: 770-614-6069 | info@omix-ada.com

Section A - Preparing for Installation; Removal of Factory Top

Tools Needed:

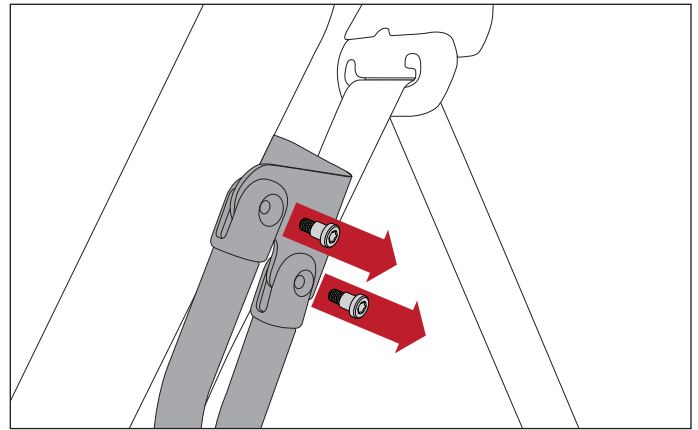
- | Phillips head screw driver
- | Torx bit socket wrench (T30)

NOTICE Carefully read and understand all instructions before proceeding. We recommend you save all parts and hardware if you ever choose to re-install the factory top.

1. **Soft Top owners:** Refer to owners' manual for instructions on lowering factory top. Once open, unscrew shoulder bolts fastening it to vehicle's roll bars. Remove canvas from assembly.

Hard Top owners: Refer to owners' manual for instruction on removing factory hard top. Skip to STEP 4 once hard top is removed.

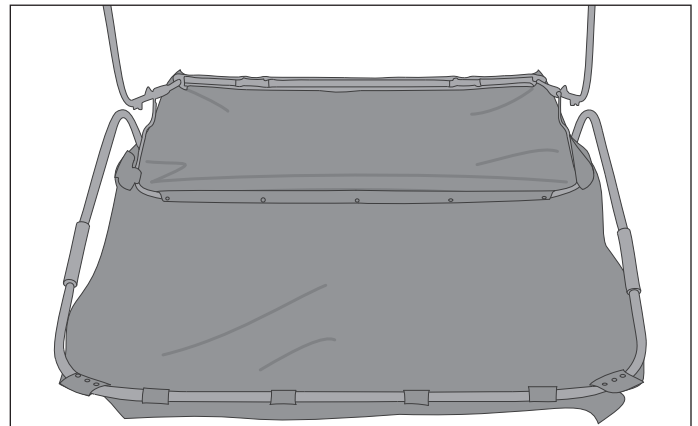
Hardtop owners will need to purchase a factory header, tailgate bar, tailgate bar retainers (LH, RH), and Surrounds (LH, RH)



NOTICE These factory parts are required:

Header - 68049276AB
 Tailgate Bar - 55395757AC
 Tailgate Bar Retainer, RH - 55395760AB
 Tailgate Bar Retainer, LH - 55395761AB
 2010-15 Surrounds, RH - 5182822AD
 2010-15 Surrounds, LH - 5182823AD

Note: After removing header and factory soft top, assembly should look as shown on right.



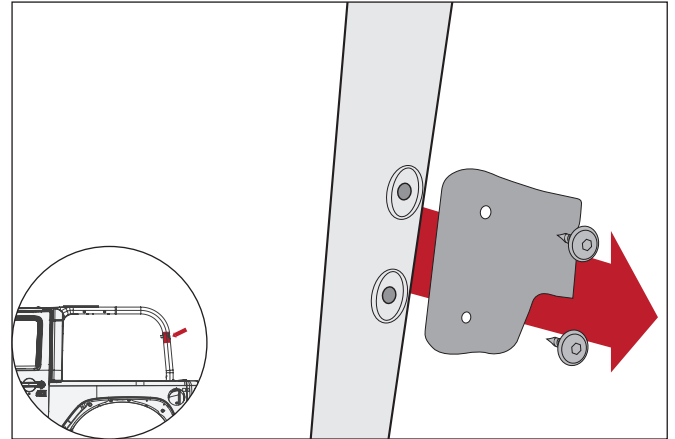


OMIX-ADA, Inc.

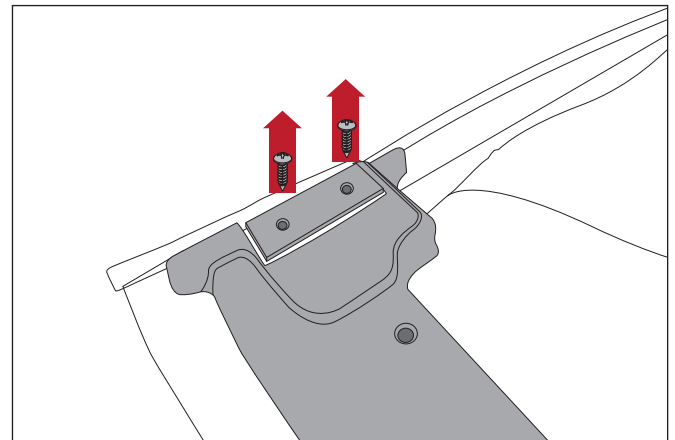
460 HORIZON DR. SUITE 400 | SUWANEE, GA 30024 | PHONE: 770-614-6101 | FAX: 770-614-6069 | info@omix-ada.com

Section A - Preparing for Installation; Removal of Factory Top

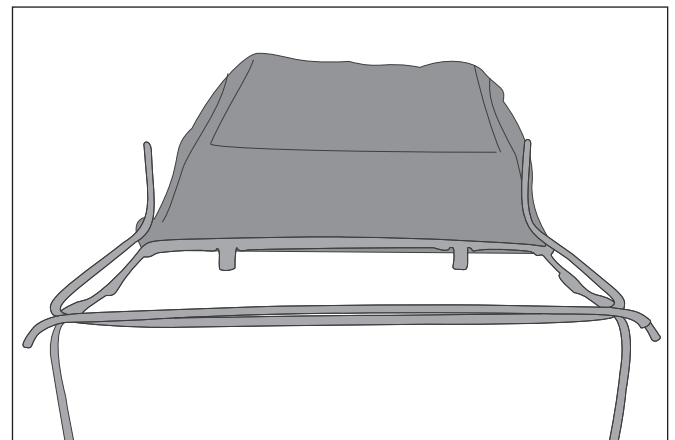
2. Remove metal soft top mounting brackets attached to roll bar in cargo area.



3. Remove screws from underside of header at each end that attaches fabric tabs.



4. Flip header and fabric. Remove screws from top of header at each end. You will now be able to remove OE soft top frame.



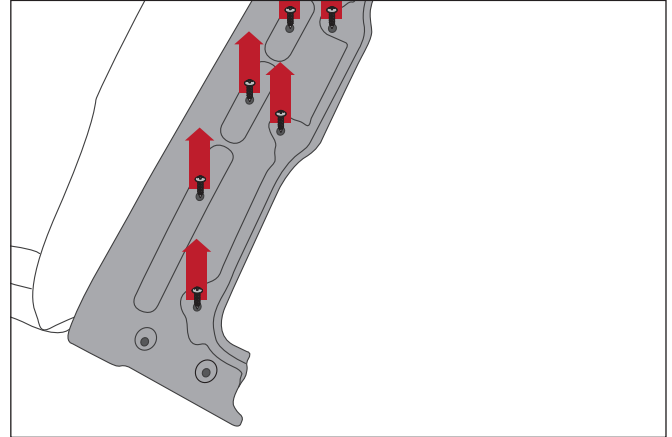


OMIX-ADA, Inc.

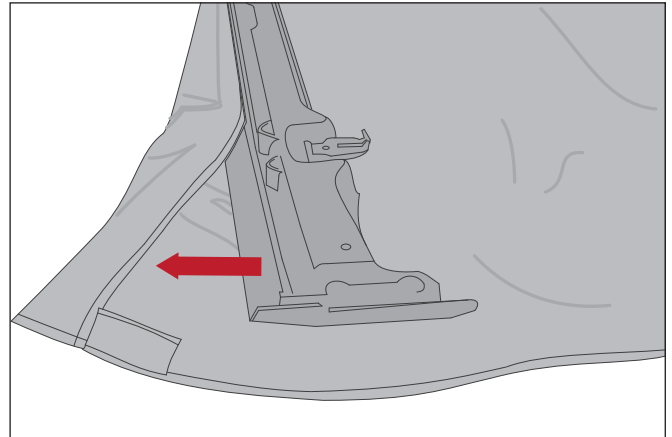
460 HORIZON DR. SUITE 400 | SUWANEE, GA 30024 | PHONE: 770-614-6101 | FAX: 770-614-6069 | info@omix-ada.com

Section A - Preparing for Installation; Removal of Factory Top

5. Loosen all screws from top side of header. Do not remove completely.



6. Release fabric from header. Keep header and all hardware for soft top installation.





OMIX-ADA, Inc.

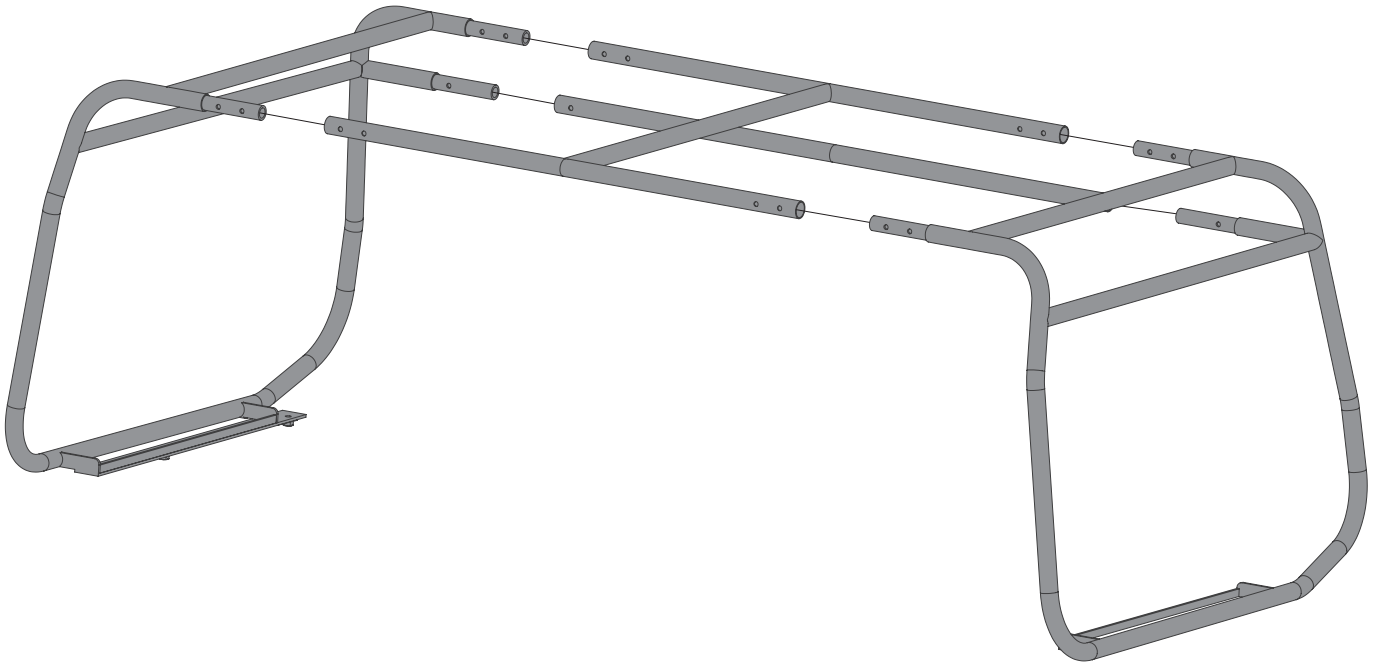
460 HORIZON DR. SUITE 400 | SUWANEE, GA 30024 | PHONE: 770-614-6101 | FAX: 770-614-6069 | info@omix-ada.com

Section B - Cage Assembly and Installation

Tools Needed:

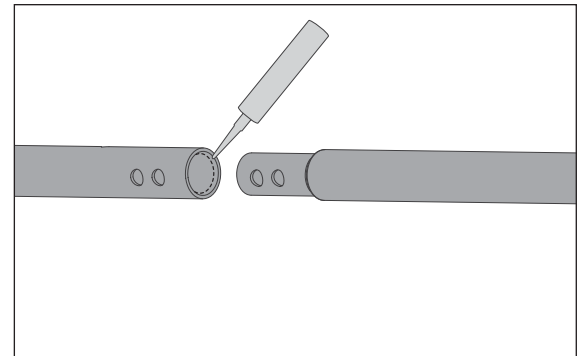
- | 5mm, 6mm Allen Keys
- | 13mm Socket
- | Torque Wrench
- | Sealant (black Permatex®, or similar)

NOTICE Carefully read and understand all instructions before proceeding. Ensure all components and hardware are provided before beginning. We recommend two people for this installation.



1. Assemble cage as shown in diagram above, adding sealant to all joints, as shown on right.
2. Insert bolts to joint areas.

NOTICE Do not fully tighten bolts until at this time to allow for fitment adjustments.



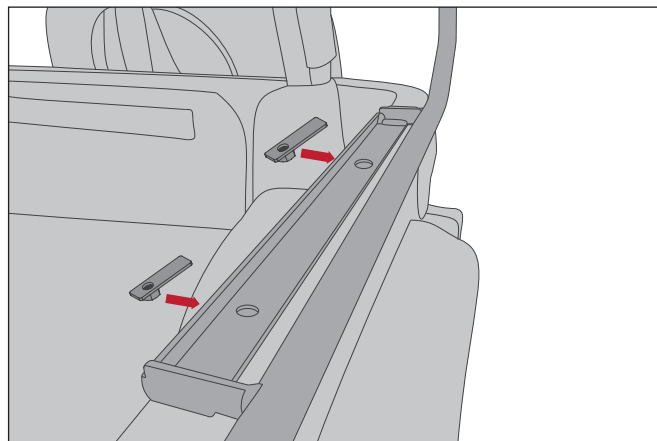
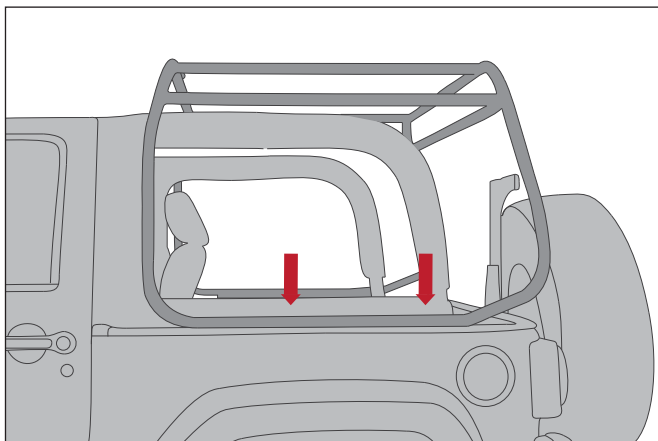


OMIX-ADA, Inc.

460 HORIZON DR. SUITE 400 | SUWANEE, GA 30024 | PHONE: 770-614-6101 | FAX: 770-614-6069 | info@omix-ada.com

Section B - Cage Assembly and Installation

3. Attach cage to frame using provided buttonhead bolts and nut plates. Fully tighten bolts to 25 lbs.





OMIX-ADA, Inc.



460 HORIZON DR. SUITE 400 | SUWANEE, GA 30024 | PHONE: 770-614-6101 | FAX: 770-614-6069 | info@omix-ada.com

Section C - Surrounds Assembly and Installation

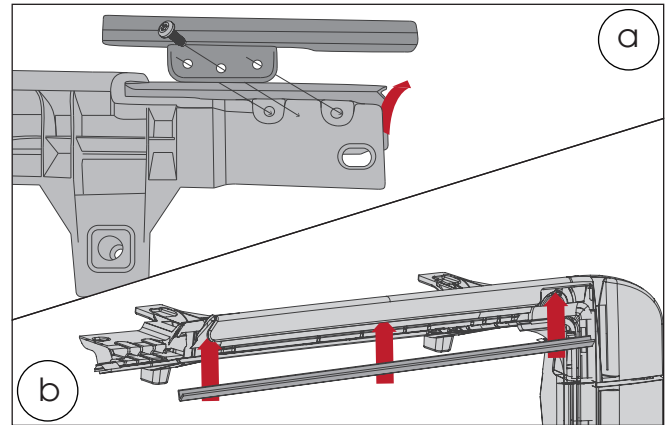
Tools Needed:

T30 Torx

NOTICE Carefully read and understand all instructions before proceeding. We recommend two people for this installation.

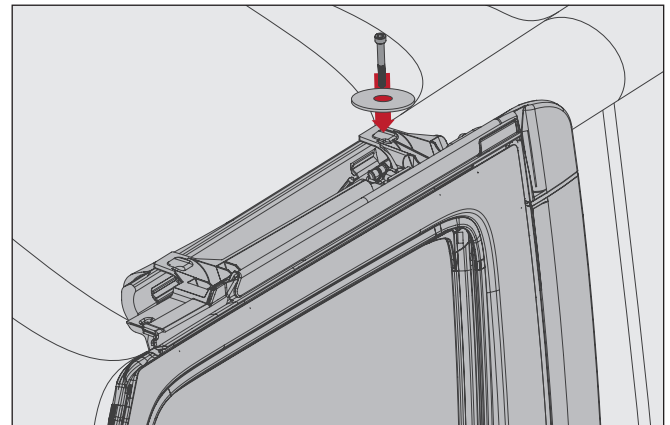
If you have 2010 cable-type surrounds (PN 5182822/3AD), skip to step 4.

1. For 2007-9 vehicles with OE surrounds, peel back foam from front of surround. Align gutter bracket with two recesses and attach through middle hole of bracket using Self Tapping Screws as shown in figure a. Reapply foam.



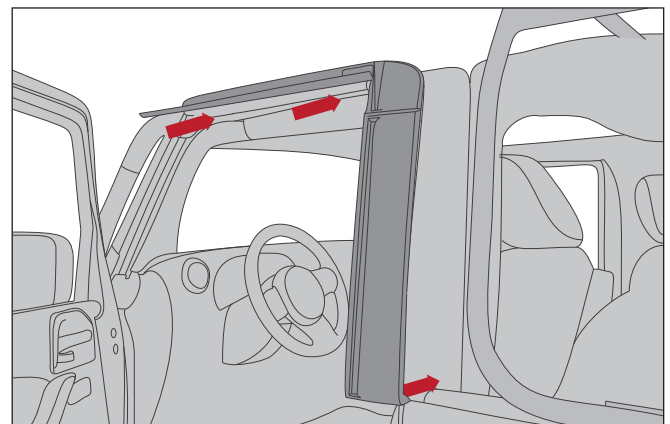
2. Insert cable retainer into corresponding lip of door surround. Remove red backing from double sided tape and apply pressure upwardly to secure into position as shown in figure b.

3. For all surrounds, replace rear knob with supplied long socket cap screw and flat washer.



4. If surrounds were purchased, first snap surrounds to roll bar and body of vehicle.

5. Secure surrounds using long socket cap screws at rear mounting locations.





OMIX-ADA, Inc.

460 HORIZON DR. SUITE 400 | SUWANEE, GA 30024 | PHONE: 770-614-6101 | FAX: 770-614-6069 | info@omix-ada.com

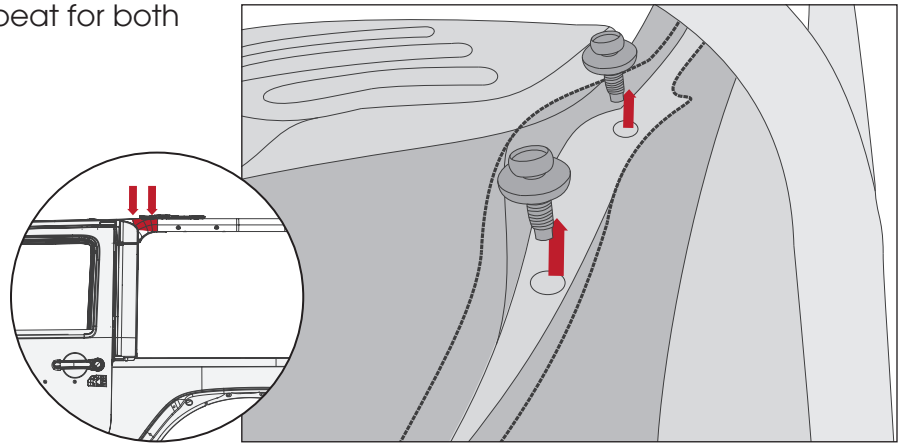
Section D - Bow and Slider Installation

Tools Needed:

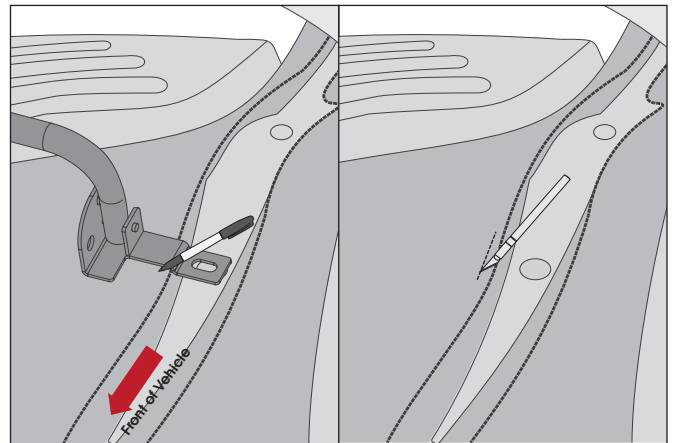
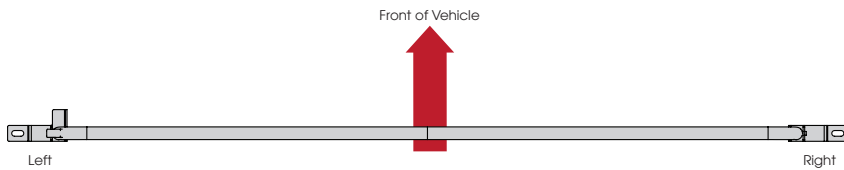
- 5mm, 6mm Allen Keys
- 13mm Socket Wrench

NOTICE Carefully read and understand all instructions before proceeding. We recommend two people for this installation.

1. Unzip rollbar and remove factory bolts. Repeat for both sides.



2. Place bow, as shown below, on bar near front removed bolt, mark line on fabric, and make 2" cut. Repeat for both sides.



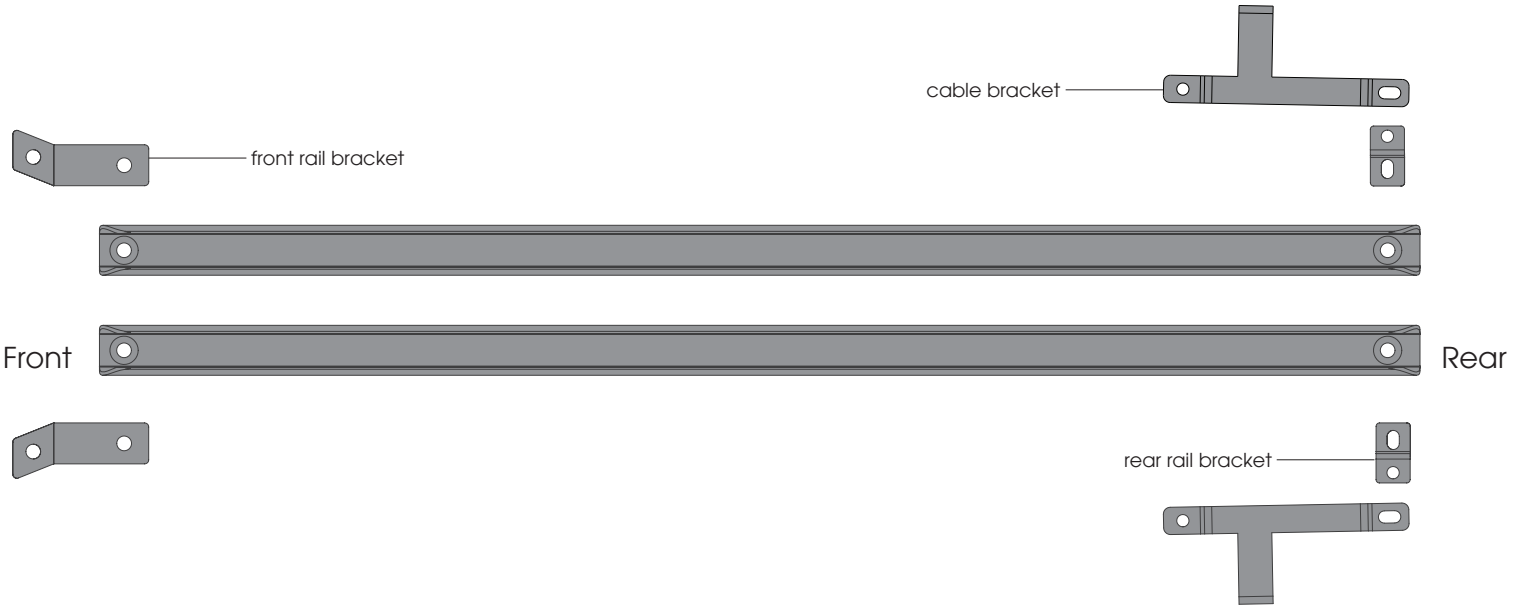


OMIX-ADA, Inc.

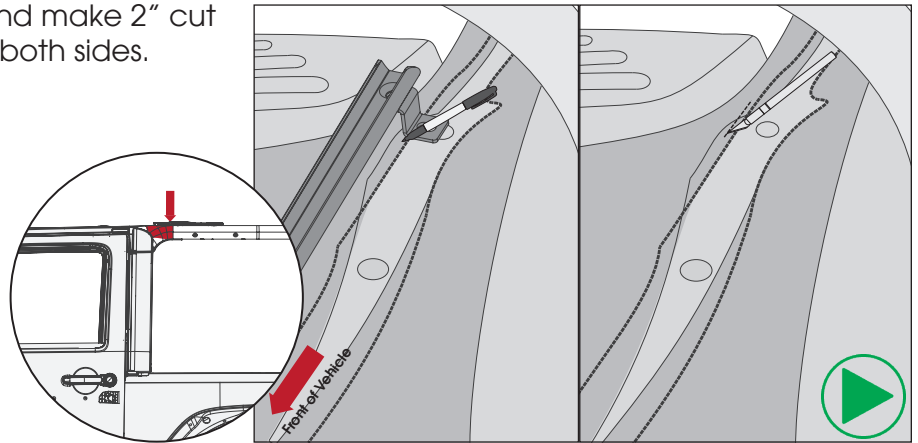
460 HORIZON DR. SUITE 400 | SUWANEE, GA 30024 | PHONE: 770-614-6101 | FAX: 770-614-6069 | info@omix-ada.com

Section D - Bow and Slider Installation

3. Align rail brackets with correct side and placement on sliders and attach with bolts.



4. Place rail on rollbar, mark line on fabric, and make 2" cut on rear points for rail installation. Repeat for both sides.



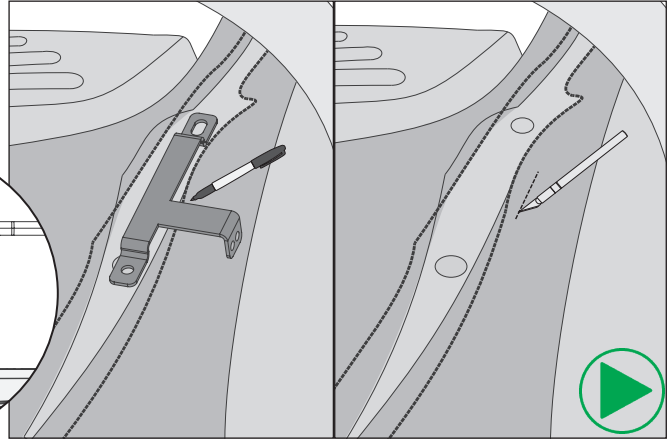
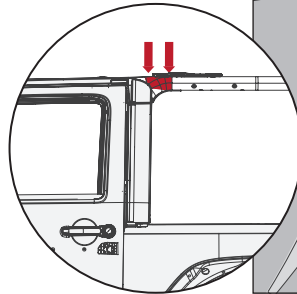


OMIX-ADA, Inc.

460 HORIZON DR. SUITE 400 | SUWANEE, GA 30024 | PHONE: 770-614-6101 | FAX: 770-614-6069 | info@omix-ada.com

Section D - Bow and Slider Installation

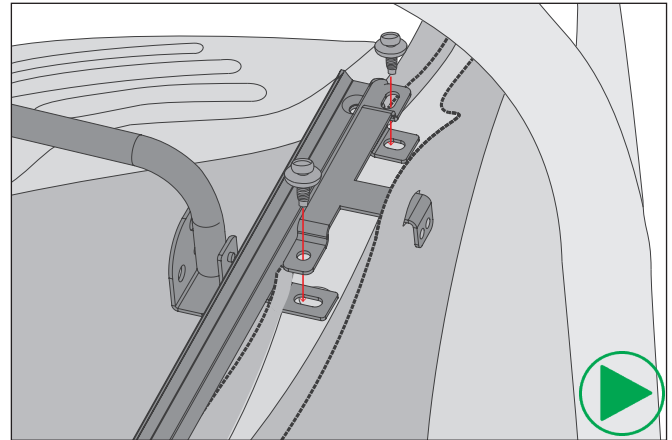
5. Place cable bracket on rollbar, mark line on fabric, and make 2" cut on rear points for installation. Repeat for both sides.



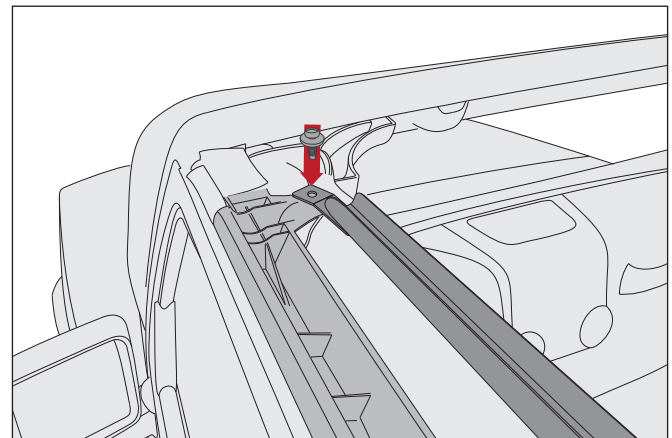
6. Install bow, rail assembly, and cable bracket to rollbar using factory bolts. Loosely tighten.

NOTICE For right side drive vehicles, quick release will be on right side.

NOTICE Test bow function before moving to next step.



7. Secure Front Rail Brackets to front mounting point of Surround using factory bolts.





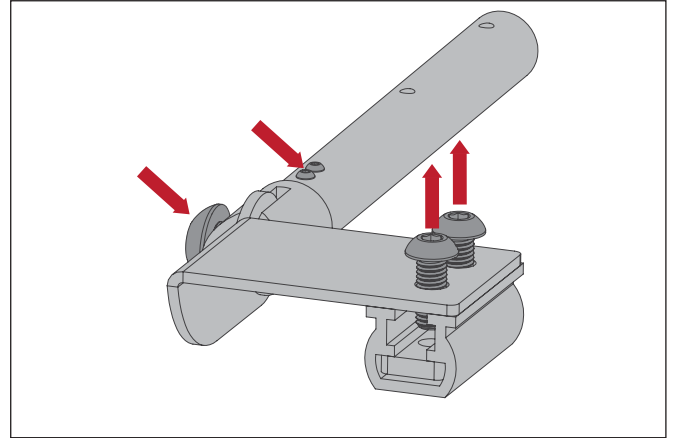
OMIX-ADA, Inc.

460 HORIZON DR. SUITE 400 | SUWANEE, GA 30024 | PHONE: 770-614-6101 | FAX: 770-614-6069 | info@omix-ada.com

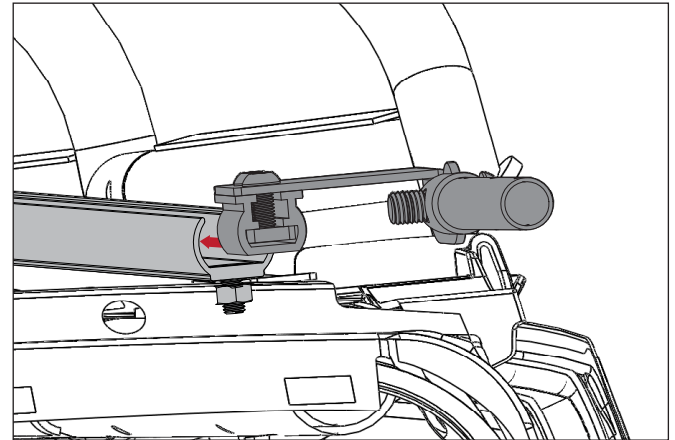
Section D - Bow and Slider Installation

8. Loosen Allen bolts on slider carriage to allow for testing of fitment. Bolt on side will need to be tightened.

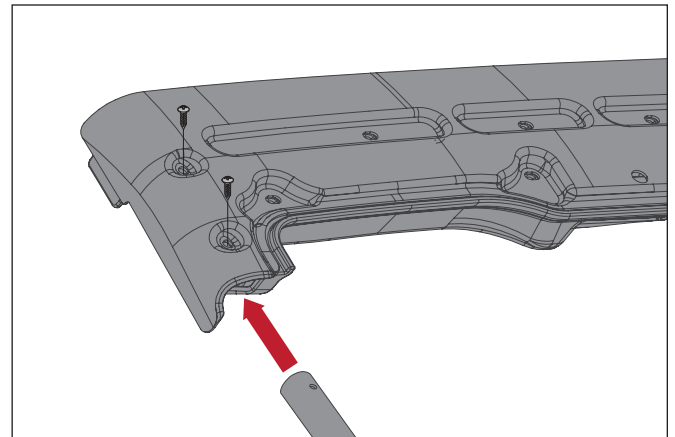
CAUTION Two small bolts on carriage tube need to be checked for tightness before installation



9. Install slider carriage to rail. Cycle slider carriage through rail and adjust bolts as necessary to ensure easy sliding.



10. Install slider arms to header.

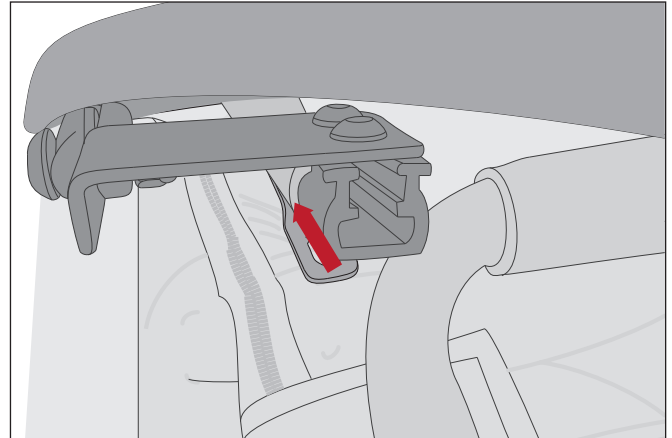




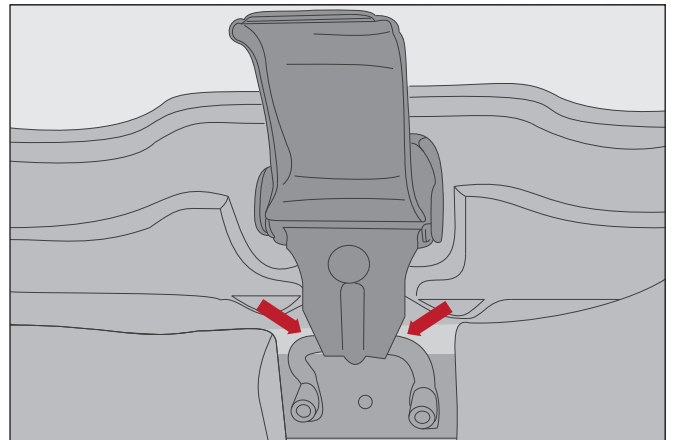
OMIX-ADA, Inc.

460 HORIZON DR. SUITE 400 | SUWANEE, GA 30024 | PHONE: 770-614-6101 | FAX: 770-614-6069 | info@omix-ada.com

11. Install header-slider carriage assembly to rails from rear of vehicle.



12. Slide header-slider carriage assembly to front of vehicle and latch header hooks when they are centered in footman loop.



13. Ensuring cage is centered between front and rear surrounds, tighten all surround and rail bolts.

14. Remove header-slider carriage assembly to prepare for soft top installation.



OMIX-ADA, Inc.

460 HORIZON DR. SUITE 400 | SUWANEE, GA 30024 | PHONE: 770-614-6101 | FAX: 770-614-6069 | info@omix-ada.com

Section E - Soft Top Assembly and Installation

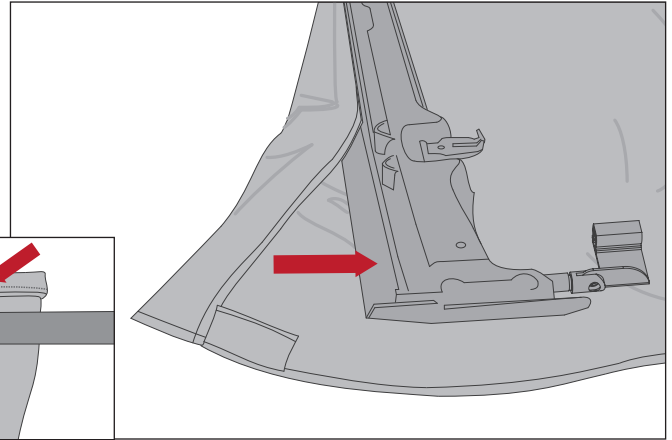
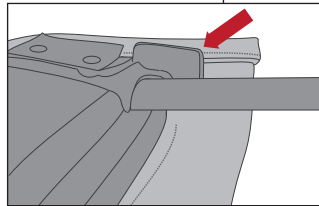
Tools Needed:

- | Flat head screwdriver
- | Phillips head screwdriver

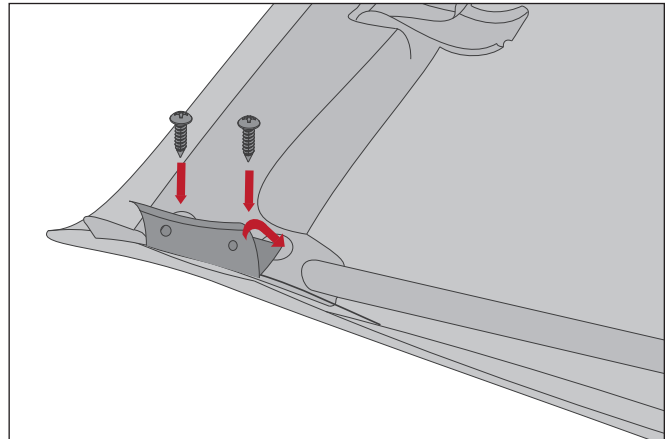
NOTICE Carefully read and understand all instructions before proceeding. We recommend two people for this installation.

1. Install Soft Top Fabric to Header; tighten all remaining header screws. Ensure cable ring is tight before installation by squeezing ring with pliers.

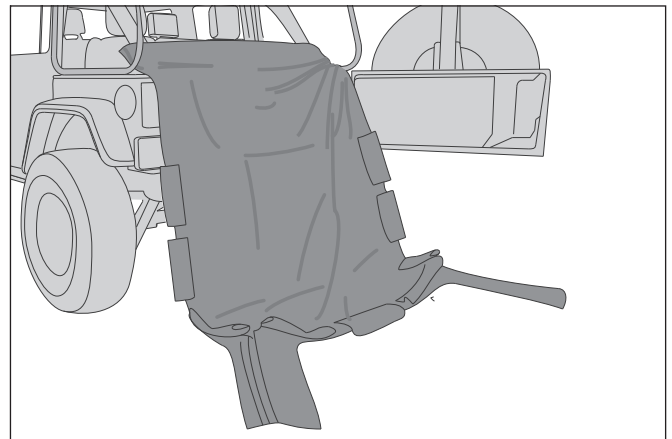
NOTICE Ensure channel in soft top has cleared lip in header. Tab on header will remain on outside of fabric as shown on right.



2. Fold fabric flap over metal tab (connected to cable) and attach to header using factory header screws.



3. With help from second person, position header and soft top fabric in rear of vehicle, as shown on right, to prep for installation.



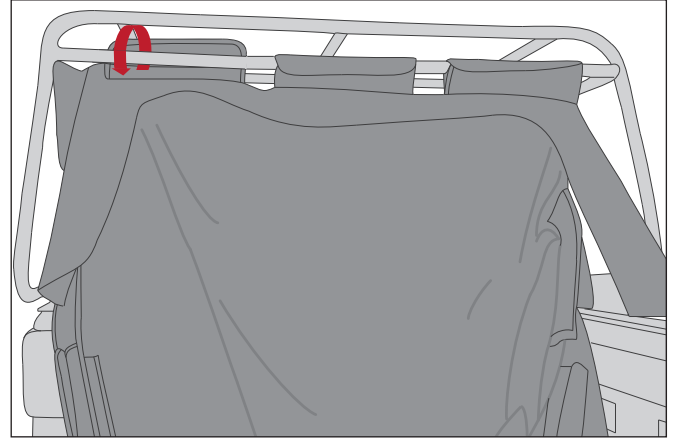


OMIX-ADA, Inc.

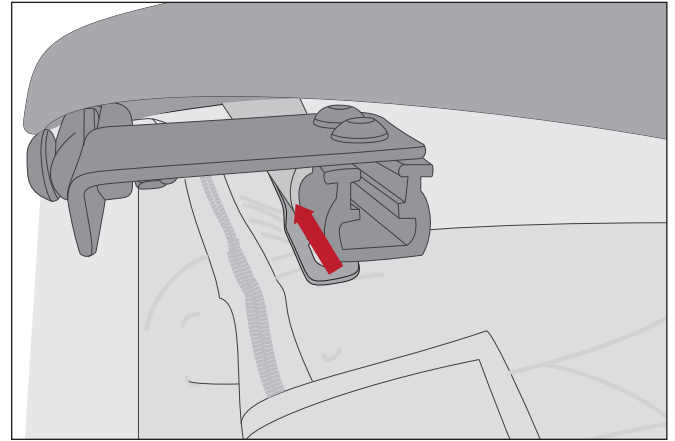
460 HORIZON DR. SUITE 400 | SUWANEE, GA 30024 | PHONE: 770-614-6101 | FAX: 770-614-6069 | info@omix-ada.com

Section E - Soft Top Assembly and Installation

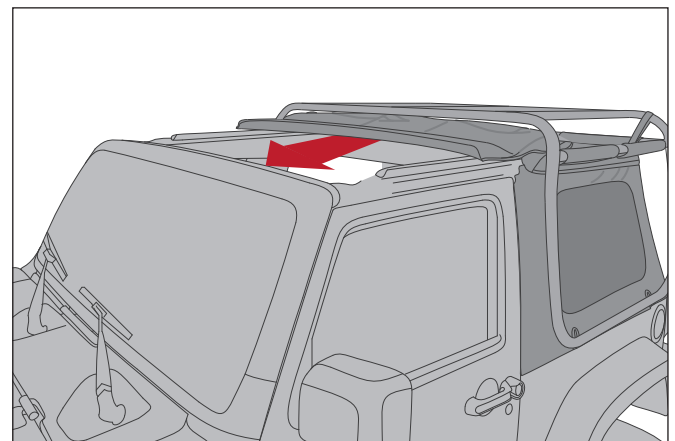
4. Loosely attach rear hook and loop flaps to lower rear bar of cage.



5. Slide header-slider carriage assembly into rail. With help of other person.



6. Carefully slide entire assembly to forward to soundbar.





OMIX-ADA, Inc.

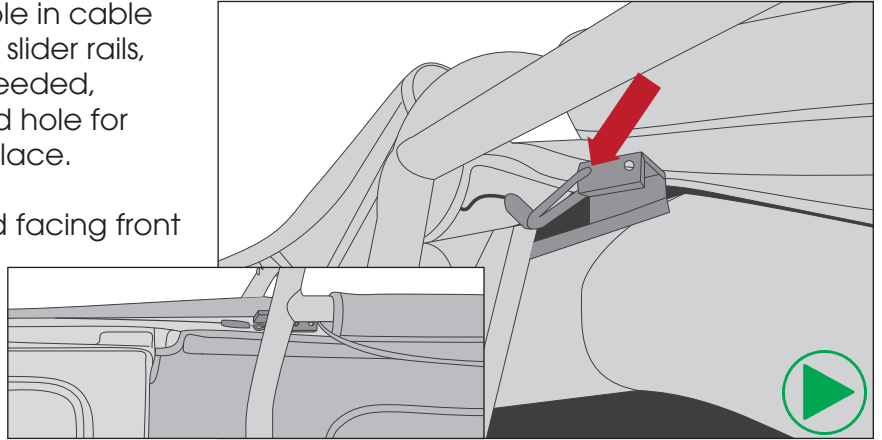
460 HORIZON DR. SUITE 400 | SUWANEE, GA 30024 | PHONE: 770-614-6101 | FAX: 770-614-6069 | info@omix-ada.com

Section E - Soft Top Assembly and Installation

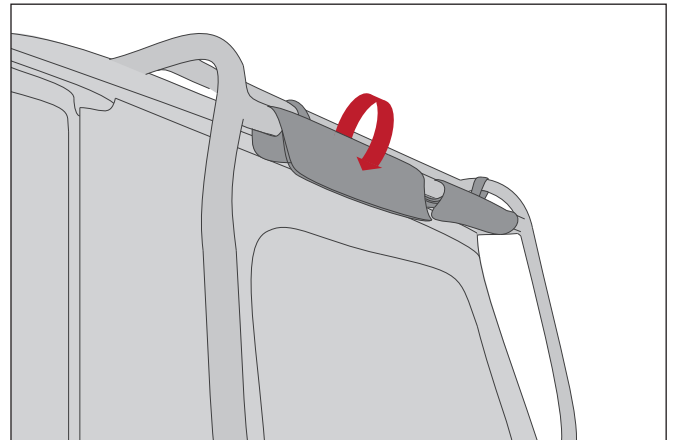
7. Attach carabiner and spring cable to first hole in cable bracket. Ensure cable is positioned outside the slider rails, near the rear frame pillar, as shown below. If needed, carabiner and cable can be moved to second hole for adjustment. Header can now be locked into place.

CAUTION Ensure carabiner has spring end facing front of vehicle as shown on right

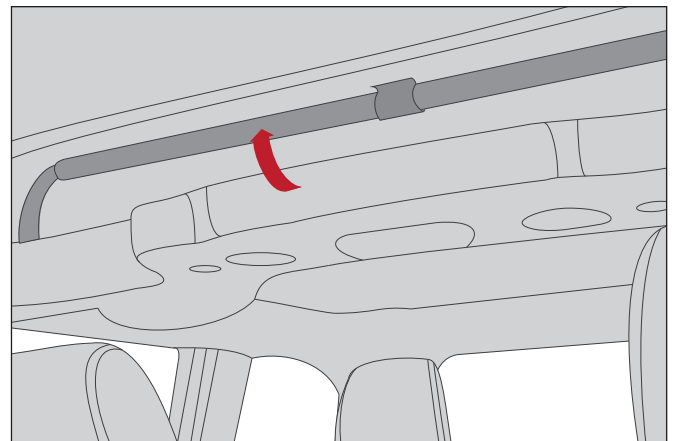
NOTICE Cable Bracket may be adjusted downward for better cable fitment inside channel



8. Tightly attach side hook and loop flaps; loosely attach all Hook and loop straps.



9. After tightly securing rear hook and loop flaps, flip and lock front bow assembly in upright position. Secure center hook and loop strap.



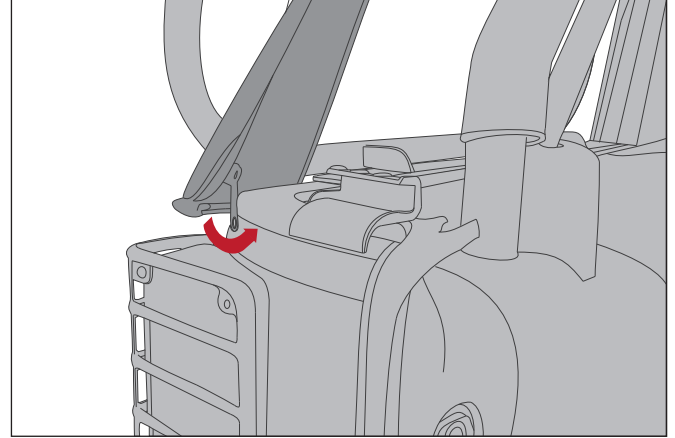


OMIX-ADA, Inc.

460 HORIZON DR. SUITE 400 | SUWANEE, GA 30024 | PHONE: 770-614-6101 | FAX: 770-614-6069 | info@omix-ada.com

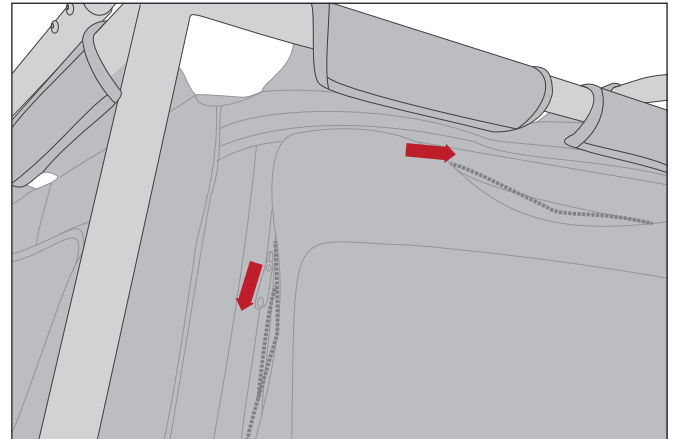
Section E - Soft Top Assembly and Installation

10. Lock rear fabric into tub and tighten top rear hook and loop straps to secure fabric.

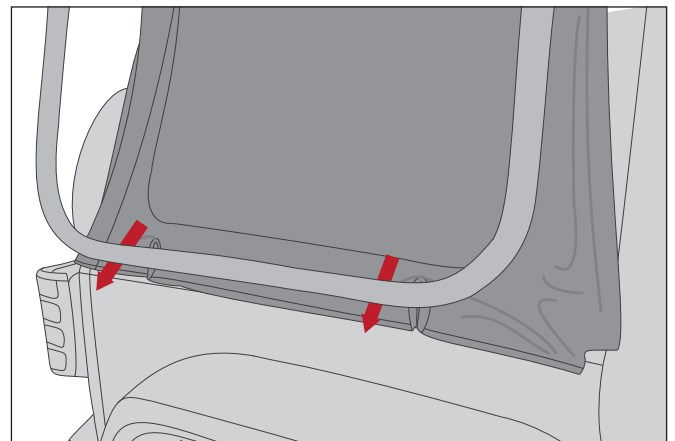


11. To install side windows:

Start rear zipper first, then top zipper, only zipping 3-4 inches.



12. Insert fabric behind cage, moving forward and down.



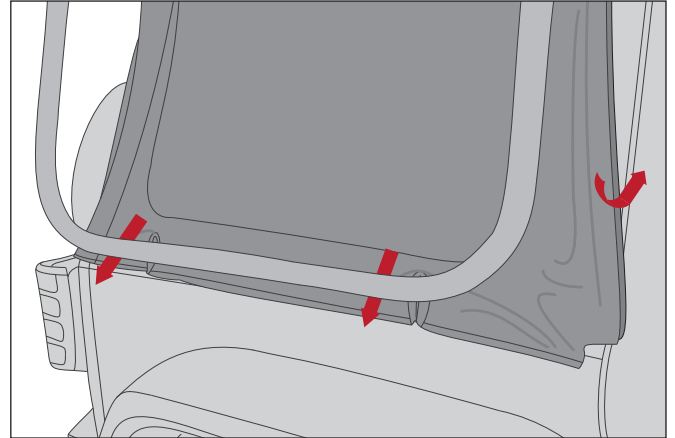


OMIX-ADA, Inc.

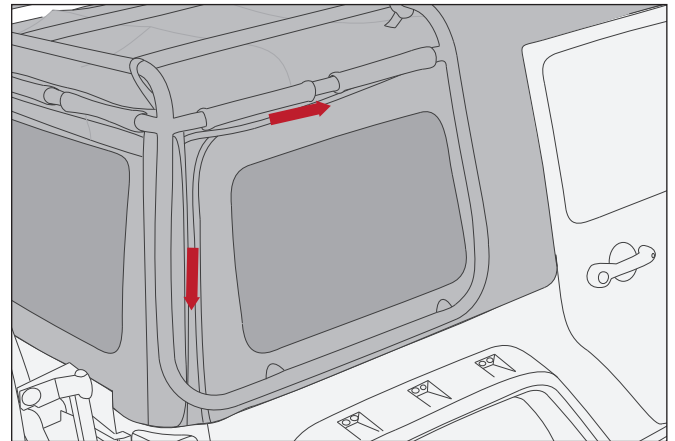
460 HORIZON DR. SUITE 400 | SUWANEE, GA 30024 | PHONE: 770-614-6101 | FAX: 770-614-6069 | info@omix-ada.com

Section E - Soft Top Assembly and Installation

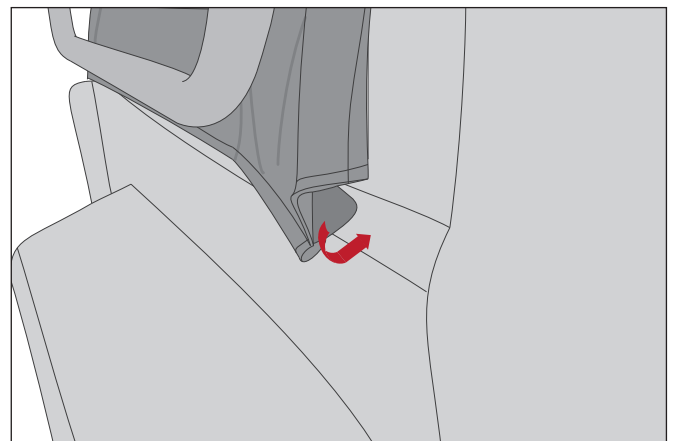
13. Insert plastic retainer in groove of door surround.



14. Fully zip top zipper, then fully zip rear zipper..



15. Insert tub rail, then on front side of surround.





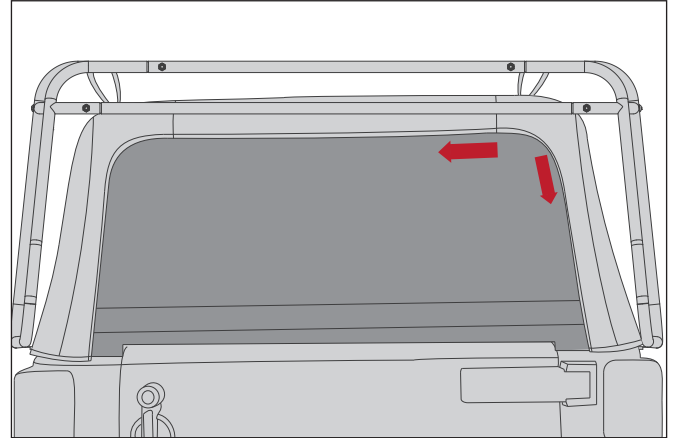
OMIX-ADA, Inc.

460 HORIZON DR. SUITE 400 | SUWANEE, GA 30024 | PHONE: 770-614-6101 | FAX: 770-614-6069 | info@omix-ada.com

16. To install rear window:

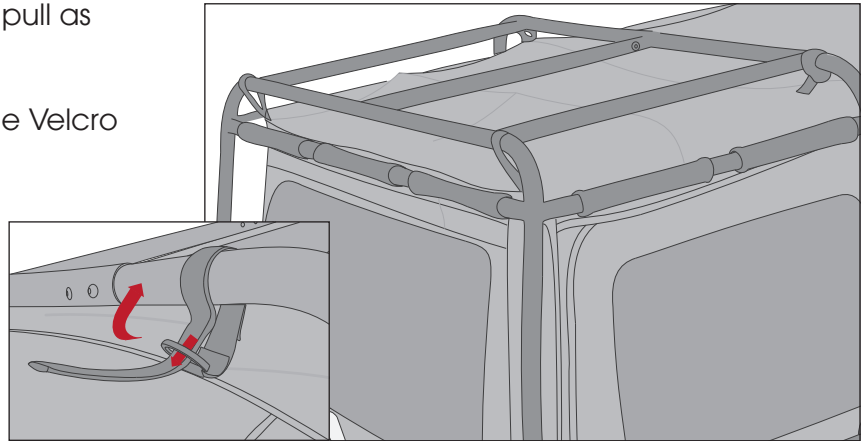
Zip top zipper first, then sides.

Install Tailgate Bar to channel in rear window.



17. Pull hook and loop straps around cage and pull as shown; **do not over-tighten**.

18. Walk perimeter of vehicle and retighten large Velcro flaps to properly tension top.





OMIX-ADA, Inc.

460 HORIZON DR. SUITE 400 | SUWANEE, GA 30024 | PHONE: 770-614-6101 | FAX: 770-614-6069 | info@omix-ada.com

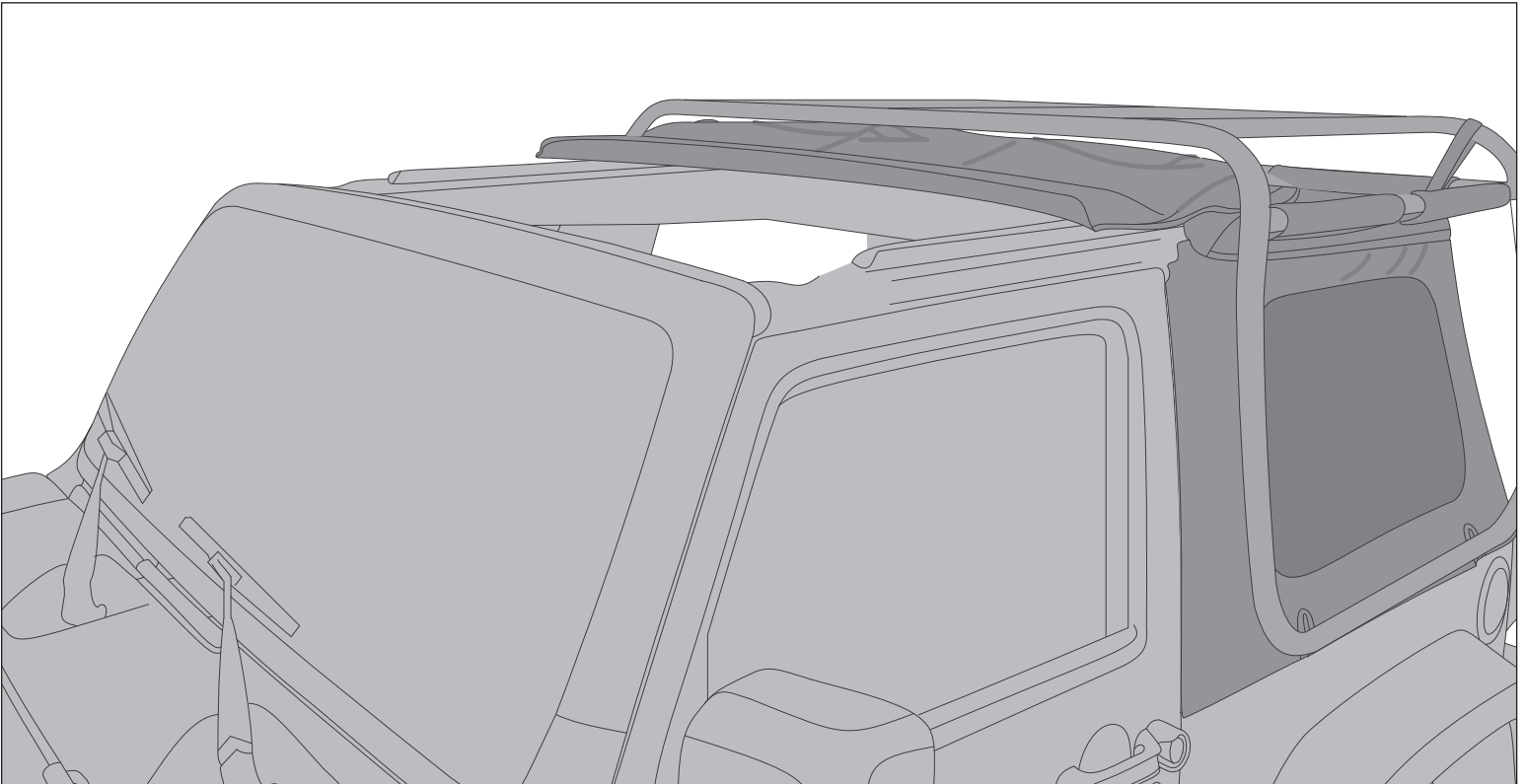
Operating Procedure



Do not attempt to operate the Rugged Ridge® Exo-Top while vehicle is in motion.



All operating instructions can be found in further detail in Instructional Video.



FULL SUN SLIDER

1. Unlatch hooks from front header bar.
2. Release front hook and loop straps and bow.
3. Slide header bar to sound bar.
4. Tuck fabric under first cage bar and header.



First set of side straps release to allow header to slide further back.



OMIX-ADA, Inc.

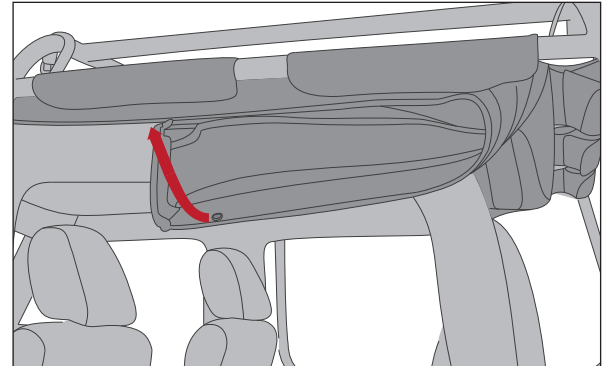
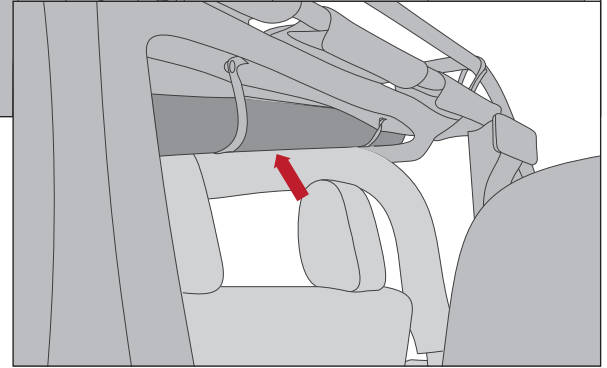
460 HORIZON DR. SUITE 400 | SUWANEE, GA 30024 | PHONE: 770-614-6101 | FAX: 770-614-6069 | info@omix-ada.com

Operating Procedure



SAVANNAH TOP

1. Keeping header bar attached in front, remove windows
2. Rear corner panels are tucked above rear soundbar and secured with snaps, located on each side of top.

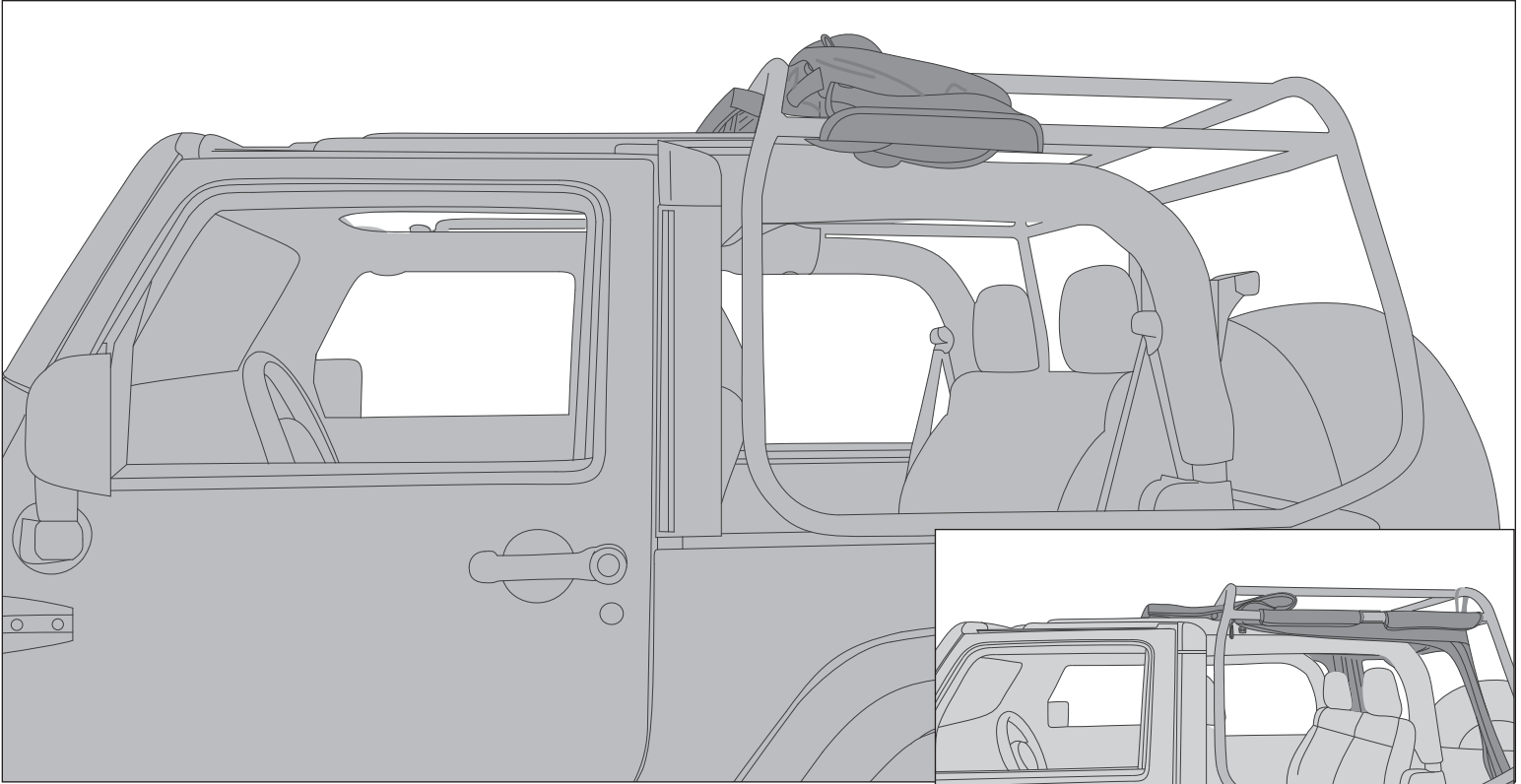




OMIX-ADA, Inc.

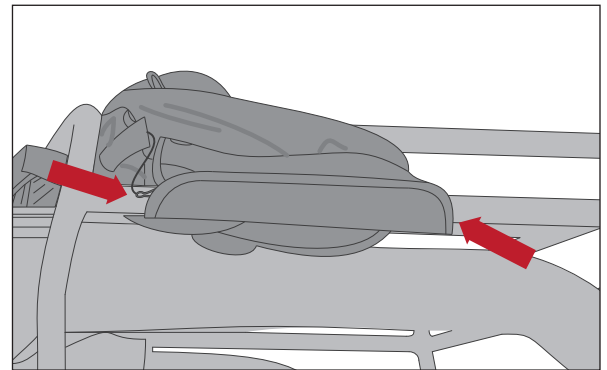
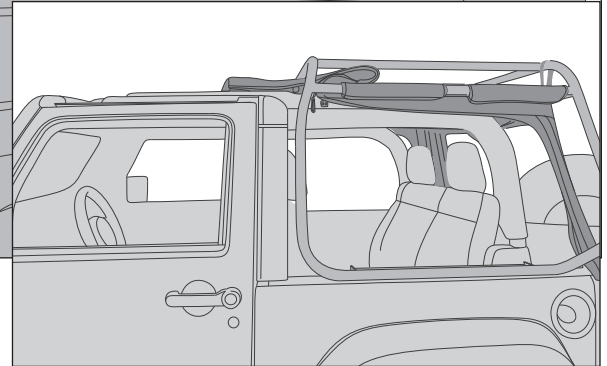
460 HORIZON DR. SUITE 400 | SUWANEE, GA 30024 | PHONE: 770-614-6101 | FAX: 770-614-6069 | info@omix-ada.com

Operating Procedure



FULL ROLL OVER SOUNDBAR

1. Remove all windows and hook and loop straps.
2. Slide header back to sound bar.
3. Begin folding rear fabric to front of vehicle.
4. Once folded, undo spring and carabiner and tuck into side flap.
5. Rear side flap can be attached to cage as shown on right.





OMIX-ADA, Inc.

460 HORIZON DR. SUITE 400 | SUWANEE, GA 30024 | PHONE: 770-614-6101 | FAX: 770-614-6069 | info@omix-ada.com

Operating Procedure



FULL ROLL OFF RAILS

1. Remove all windows and hook and loop straps.
2. Undo bow strap, do not lower bow.
3. Slide header back and over sounds bar, off slider rails.
4. With tailgate open, fold fabric.
5. Close tailgate and rest header on tailgate or rear rollbars.



OMIX-ADA, Inc.

460 HORIZON DR. SUITE 400 | SUWANEE, GA 30024 | PHONE: 770-614-6101 | FAX: 770-614-6069 | info@omix-ada.com

Care and Maintenance

In order to maintain its appearance and increase longevity of use, your Rugged Ridge® EXO-Top will need periodic cleaning and maintenance.

Side Assemblies, Bows, and Arms: Regularly clean all side assemblies, bows, and arms. Regularly clean and lubricate all joints with WD-40®.

Fabric: To preserve a quality fit, do not keep EXO-Top in a folded position for extended periods of time. When cleaning EXO-Top, fabric should be washed with mild soap, warm water, and a soft bristle brush. Use clear water to rinse to ensure all soap has been removed. If a rip or tear occurs in fabric of your canvas, repairs can be made with Bondex®. On the inside of your canvas, iron on Bondex® where rip or tear occurred. For further information, read instructions provided with Bondex®.

Windows: Ensure windows are kept clean to avoid scratching. Do not wash with brush, as this will cause scratching. Wash windows with a watered-down cloth or sponge. Do not clean windows while they are dry, this will cause scratching. Use caution while cleaning in low temperatures as windows will be more susceptible to scratching and cracking. Do not roll up windows in low temperatures as this will cause windows to stiffen and crack. Windows should be clean when rolled up.

Zippers: Keep zippers clean and lubricated to provide smooth operation. If a zipper opens after fully zipping your EXO-Top, a slider may be defective, but repairable. In this case, pull slider to the end and open position. Using a pair of pliers, carefully clamp down on your slider as shown on right and close zipper again. If problem persists, try clamping down on slider more firmly, then closing your zipper again.

Water: If water begins to seep through fabric seams, use 3-M Scotchgard® on inside of fabric to prevent further seeping.

