

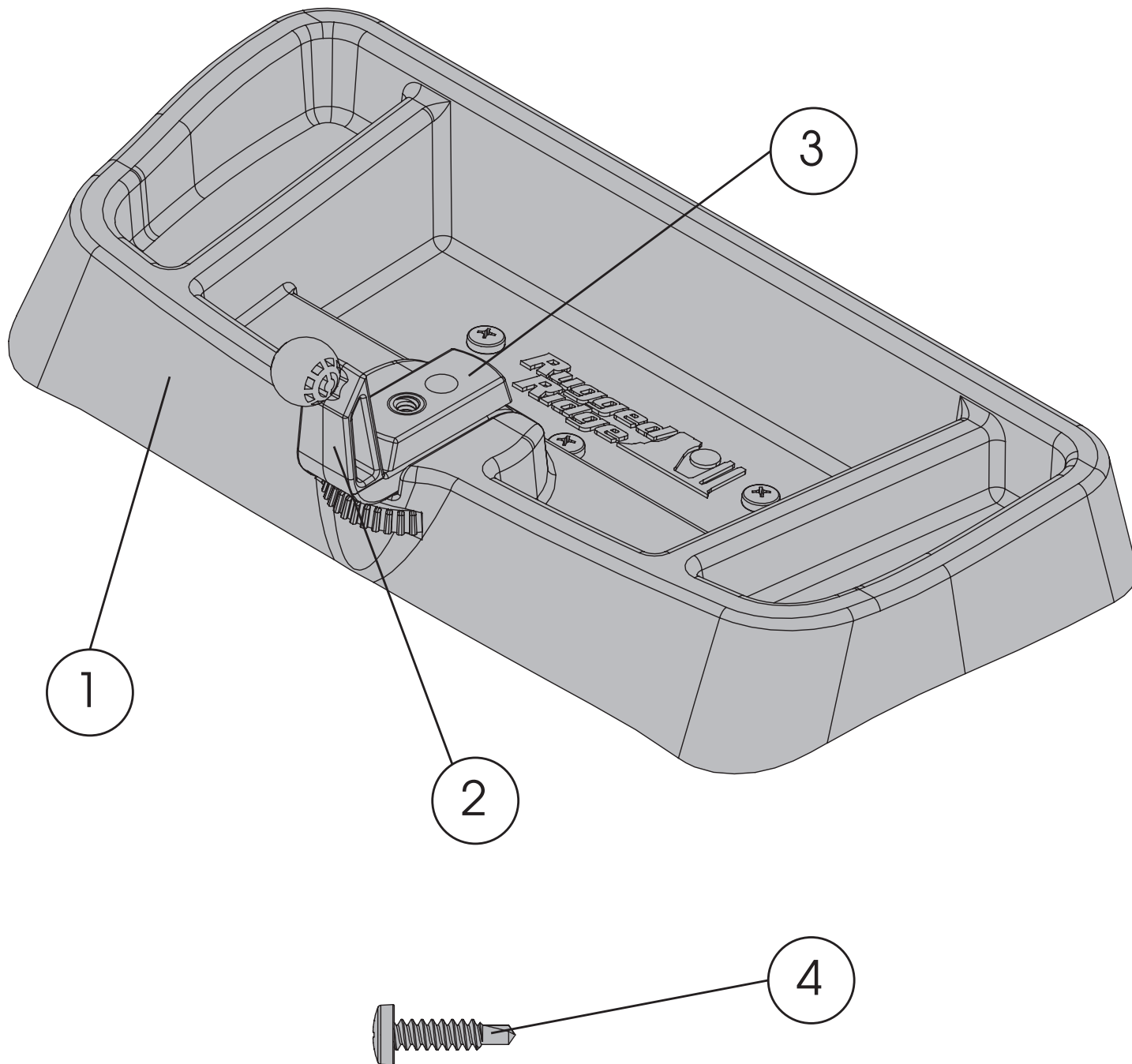


OMIX-ADA, Inc.

460 HORIZON DR. SUITE 400 | SUWANEE, GA 30024 | PHONE: 770-614-6101 | FAX: 770-614-6069 | info@omix-ada.com

Part 13551.18

## '97-'06 Wrangler Dash Multi-Mount System



### Components

- |                         |     |
|-------------------------|-----|
| 1. Multi-Mount Tray     | (1) |
| 2. Universal Ball Mount | (1) |
| 3. Cap Piece            | (1) |
| 4. Self-Tapping Screw   | (3) |

#### OMIX-ADA® TECHNICAL SUPPORT

PHONE: M-F 8am - 5pm EST 1-800-449-6649 | EMAIL: techsupport@omix-ada.com

FOR WARRANTY INFORMATION VISIT: [www.Omix-Ada.com](http://www.Omix-Ada.com)

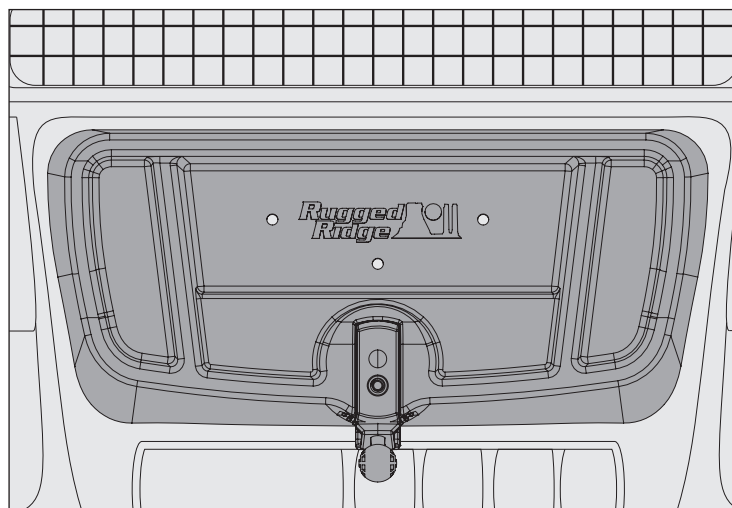


OMIX-ADA, Inc.

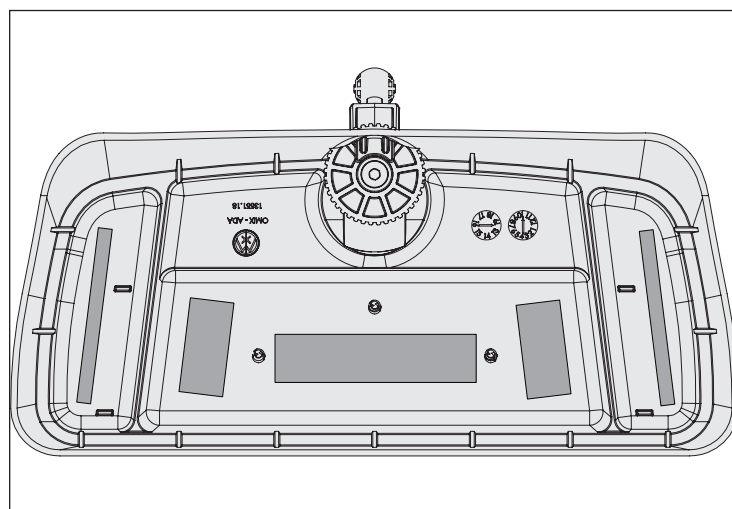
460 HORIZON DR. SUITE 400 | SUWANEE, GA 30024 | PHONE: 770-614-6101 | FAX: 770-614-6069 | info@omix-ada.com

## '97-'06 Wrangler Dash Multi-Mount System

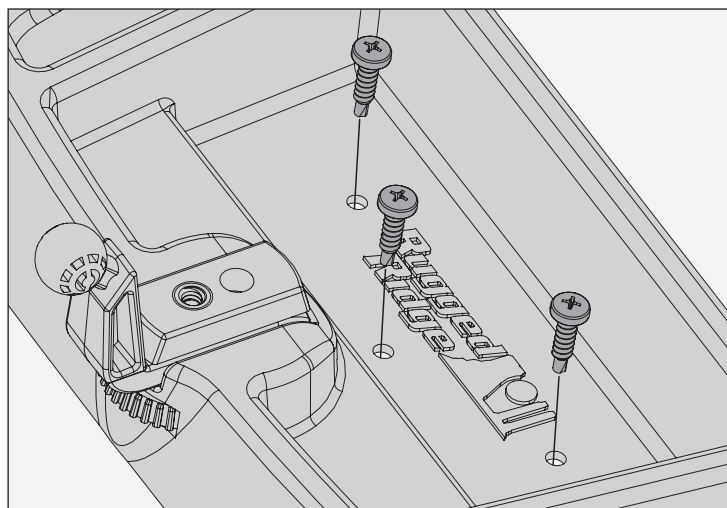
1. Remove all items and clean vehicle dash recess.
2. Test fit Multi-Mount Tray in dash recess. Multi-Mount Tray will sit at rear-most wall of dash recess.



3. Remove backing of adhesive tape and place Multi-Mount tray into dash recess.



4. Install three Self-Tapping Screws through Multi-Mount Tray into dash recess in vehicle, beginning with front-most Self-Tapping Screw.



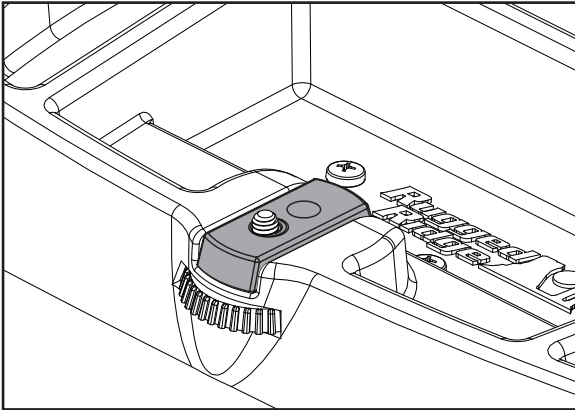


OMIX-ADA, Inc.

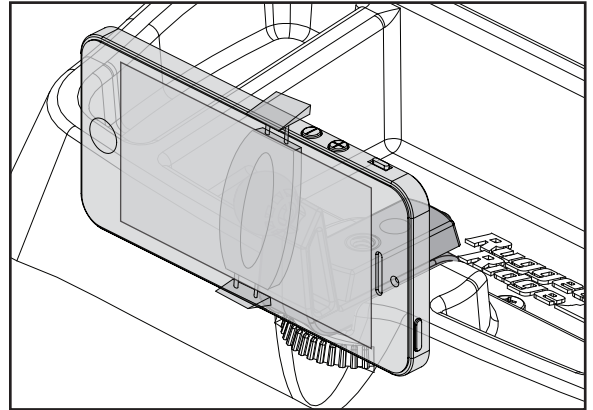
460 HORIZON DR. SUITE 400 | SUWANEE, GA 30024 | PHONE: 770-614-6101 | FAX: 770-614-6069 | info@omix-ada.com

## '97-'06 Wrangler Dash Multi-Mount System

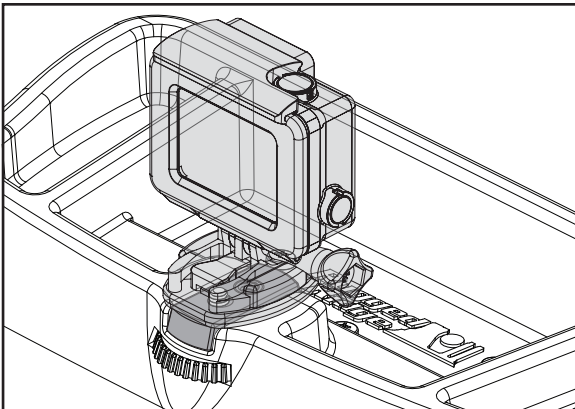
### Four Configurations for Dash Multi-Mount System:



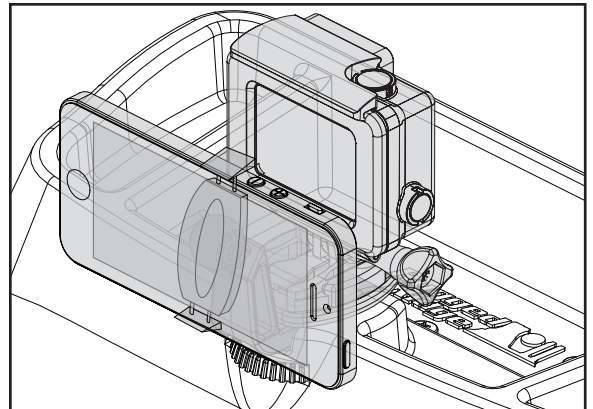
No Accessory



Phone/GPS Mount Only\*



Camera/Tripod Mount Only



Phone and Camera Mount\*

\*Shown with Rugged Ridge Phone Mount (Part #13551.13)



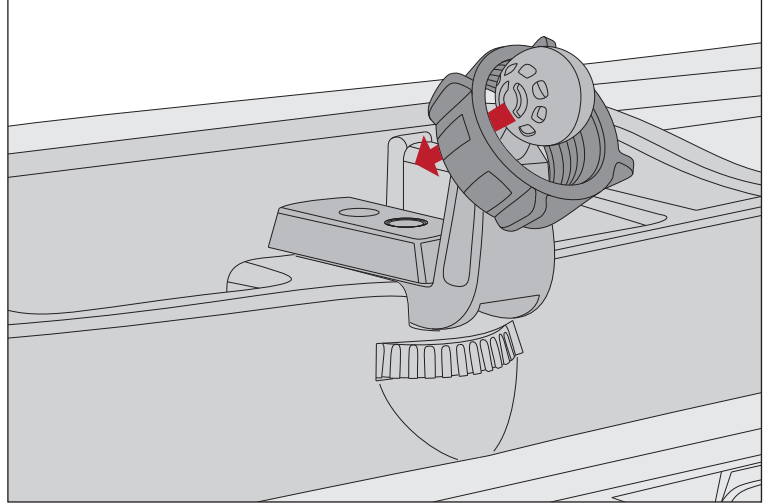
OMIX-ADA, Inc.

460 HORIZON DR. SUITE 100 | SUWANEE, GA 30024 | PHONE: 770-614-6101 | FAX: 770-614-6069 | info@omix-ada.com

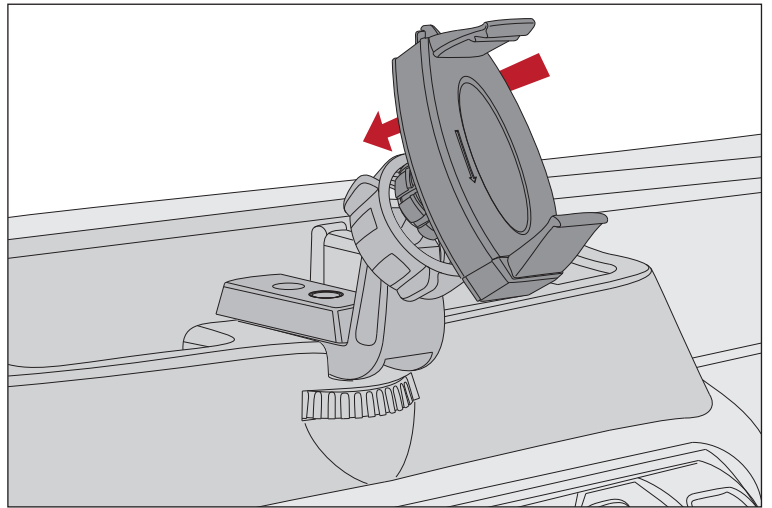
Part 13551.13

## Phone Mount for Dash Multi-Mount System

1. Place Outer Ring over end of Ball Mount.



2. Press Phone Mount adapter piece into Ball Mount.



3. Pull Outer Ring over Phone Mount adapter and twist to secure.

