

FRONT BUMPER INSTALLATION INSTRUCTIONS

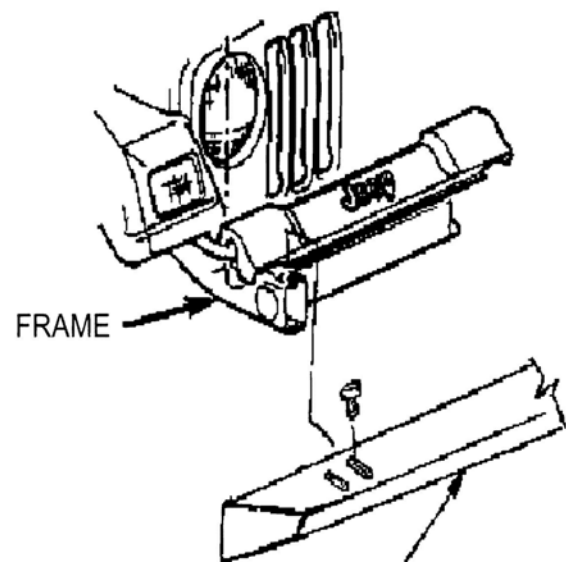
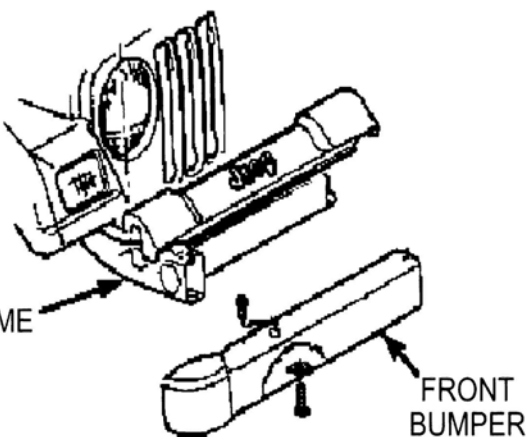
INCLUDED IN BOX:

FRONT BUMPER
2 FLAT WASHERS



Installation

1. Remove the Factory Bumper by backing out the top and bottom Torx Head Bolts. Set the Bolts aside, they will be needed on the replacement Bumper (Figure 1).
2. Install the Rock Crusher Bumper by placing the flat side up.
3. Place the Rock Crusher Bumper and line up the holes to the Threaded Holes on the Jeep frame as shown in Figure 2.
4. Reinstall the Four Torx Bolts that were removed in Step 1.



Rampage Products Buford, GA

Phone: 800-328-2409

Rampageproducts.com

