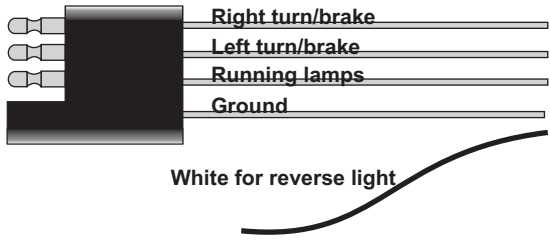


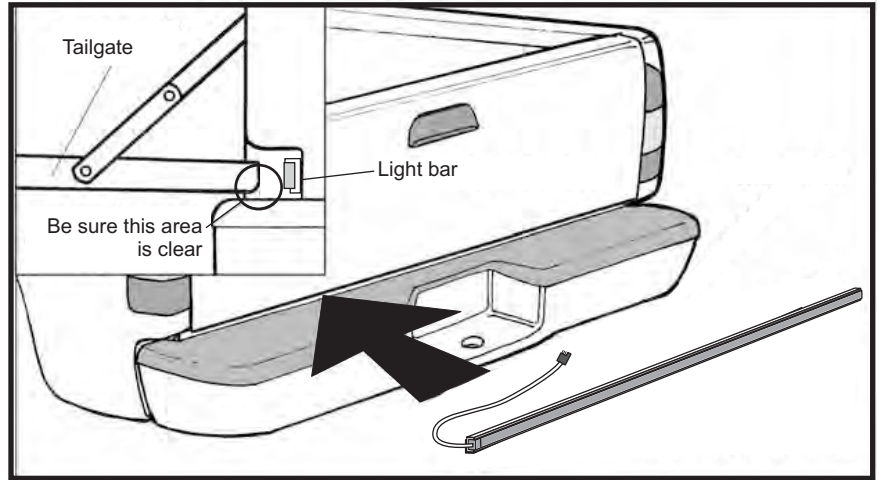


## Rampage LED Light Bar Part #'s 960134, 960135, 960136, 960137



### Wiring sequence

**NOTE: Please confirm your vehicles wiring sequence before installing**



### General:

Installation of L.E.D. light bar is easy and only needs a measuring tape and masking tape to install. Follow the steps below to get professional results and years of dependable service. The light bar mounts in the recess area between the bottom of the tailgate and the bumper shelf and plugs into a standard four-pin trailer receptacle plug. If your vehicle does not have a four-pin plug an adapter can be purchased from an auto parts or trailer supply store. Professional installation is recommended.

### Installation Notes:

1. Please read all instructions before installing light bar.
2. The following procedure describes a generic (typical) installation.
3. Prior to installation check all parts and inspect bar for damage and/or cracks
4. Lighting laws very depending on the jurisdiction, check your local laws before installation.
5. Light bar must be installed at 60 degrees F. or higher. If the temperature is lower, a heat gun should be used to ensure proper adhesion.
6. Consult your local mechanic or technician if uncertain of wiring or installation of light bar.

### Installation:

Step 1- Important, thoroughly clean the mounting surface before mounting. Use warm soapy water first to remove all wax and dirt. Dry completely and clean again using a cleaner (suggestion rubbing alcohol). Do not touch surface after cleaning.

Step 2- Marking and mounting location.

1. Do not remove adhesive tape backing until after the mounting location has been marked using tape. First hold the light bar assembly in position so it's equally spaced from top to bottom and left to right.
2. The wire bundle end of the light bar must be toward the driver's side in order for the turn signals to work properly. Mark this location with three strips of tape, place tape so top edge of tape is centered (top to bottom) of recessed area.
3. The top edge of the these tape strip should line up with the bottom edge of the light bar. Only side centering measurements are required.
4. After removing the light bar assembly, make sure that the top edge of the extrusion is level to the vehicle. Accurately determine the side to side location by first marking the truck centerline on the center tape strip.

Step 3-Mounting assembly.

1. Peel off the adhesive tape backing while being careful to not contaminate the adhesive with fingerprints or dirt. Lightly attach the light bar at the marked tape for left to right centering. Make sure bottom edge of light bar is in line with the top edge of tape. **AT THIS TIME DO NOT APPLY A LOT OF PRESSURE.** You may want to adjust the alignment of the light bar later.
2. Lightly attach the center section of the light bar at it's marked location, and finally the right side. If the light bar is not straight and level, pull up the adhesive taped areas lightly and reposition.
3. Remove location tape strips.

Step 4- Electrical hook up:

1. Plug the connector in the vehicles standard flat four-pin trailer connector if it's available on your vehicle. If your vehicle has a round four-pin trailer light connector, a converter can be purchased to convert it to a flat four-pin connector and can be purchased at your local auto parts store.

Step 5- Reverse Light (if equipped):

1. Remove the taillight from the taillight housing
2. Take the white wire, splice the white wire into the positive wire on the reverse light from the taillight housing. Make sure it has a good connection.

**Testing: If you have issues with the functions of the bar check the 1 amp fuse in the ground line.** You can use a 9 volt battery to test power off of the vehicle. Connect the battery (-) to the ground on the four prong, and the other (+) to each of the three connectors on the four prong, one at a time. This will ensure functionality of the bar.

**Warranty: 1 year limited warranty from date of purchase covers manufacturer's defects in quality and workmanship. Proof of purchase is required. Abuse of the product is not covered and will be evaluated on an individual basis. Cutting the wires voids the warranty.**