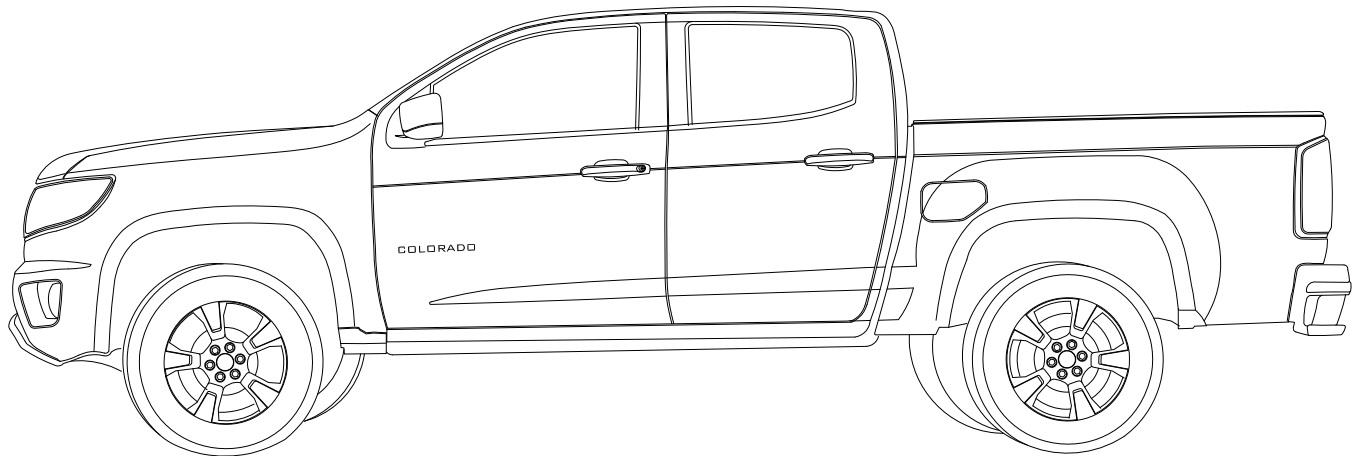




Installation Guide

Chevrolet Colorado / GMC Canyon

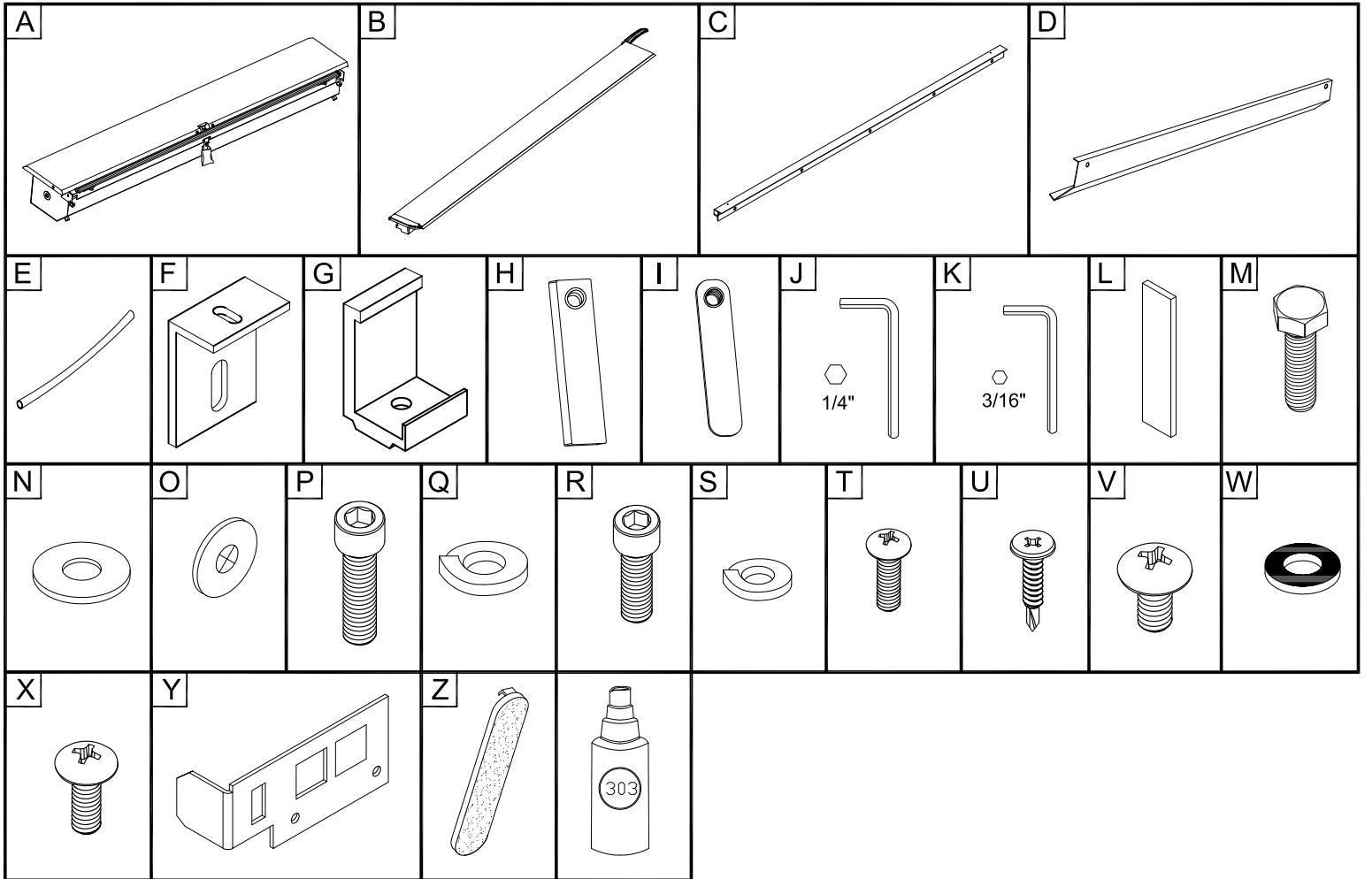


Product Code
261 - 262

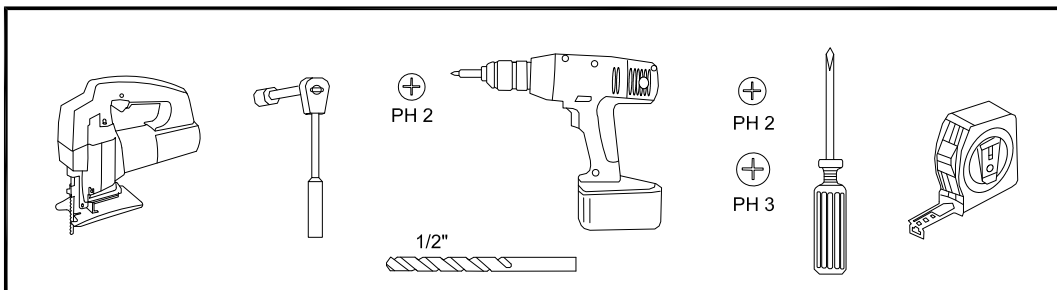
EN	Installation Guide
ES	Instrucciones de Instalación
DE	Montageanleitung
IT	Istruzioni per l'installazione
FR	Les Instructions d'Installation
TH	คำแนะนำในการติดตั้ง
RU	Инструкция по установке
AR	تعليمات التثبيت

Parts List

Item	Part Name	Qty.	Item	Part Name	Qty.	Item	Part Name	Qty.
A	Housing	1	J	Allen Wrench (1/4")	1	S	1/4" Lock Washer	2
B	Track	2	K	Allen Wrench (3/16")	1	T	#10-24 Screw	2
C	Tailgate Extrusion	1	L	Shim	4	U	#8x3/4" Self Tap Screw	5
D	Cargo Shield	1	M	1/4-20 x 1" Bolt	2	V	1/4-20 x 3/8" Screw	4
E	Drain Tube	2	N	1/4" Flat Washer	2	W	Rubber Washer	4
F	CB Track Bracket	2	O	Nylon Retaining Washer	2	X	1/4" Lid Screws	2
G	SX Bed Clamp	4	P	5/16" Socket Cap Screw	4	Y	NT Striker Plate	2
H	Threaded Tang	2	Q	5/16" Lock Washer	4	Z	Hook Latch Cap	2
I	Cargo Nut	2	R	1/4" Socket Cap Screw	2		303 Vinyl Protector	1



Tools Needed



Warning

If your vehicle is equipped with the Endgate Dampener, its performance will be reduced with the addition of this Tonneau. Upon unlatching, the Endgate will fall open to the full open position more quickly than without the Tonneau installed.



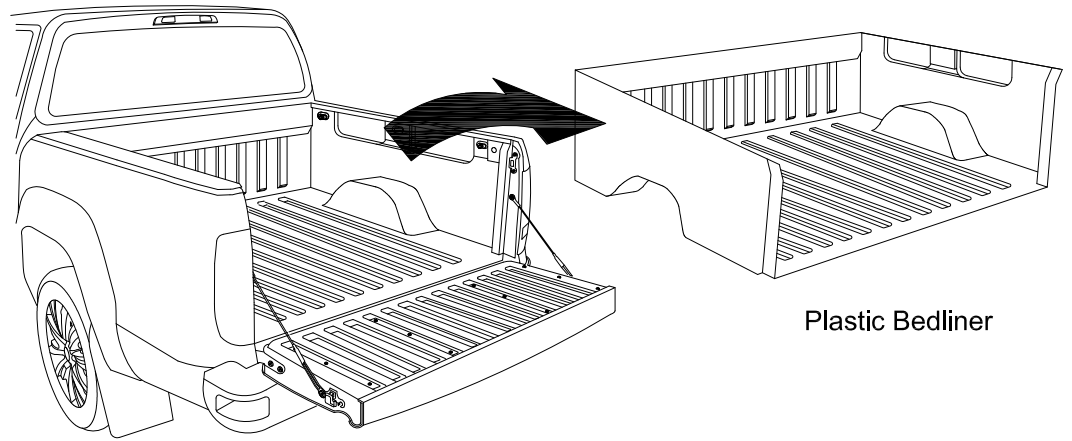
Caution



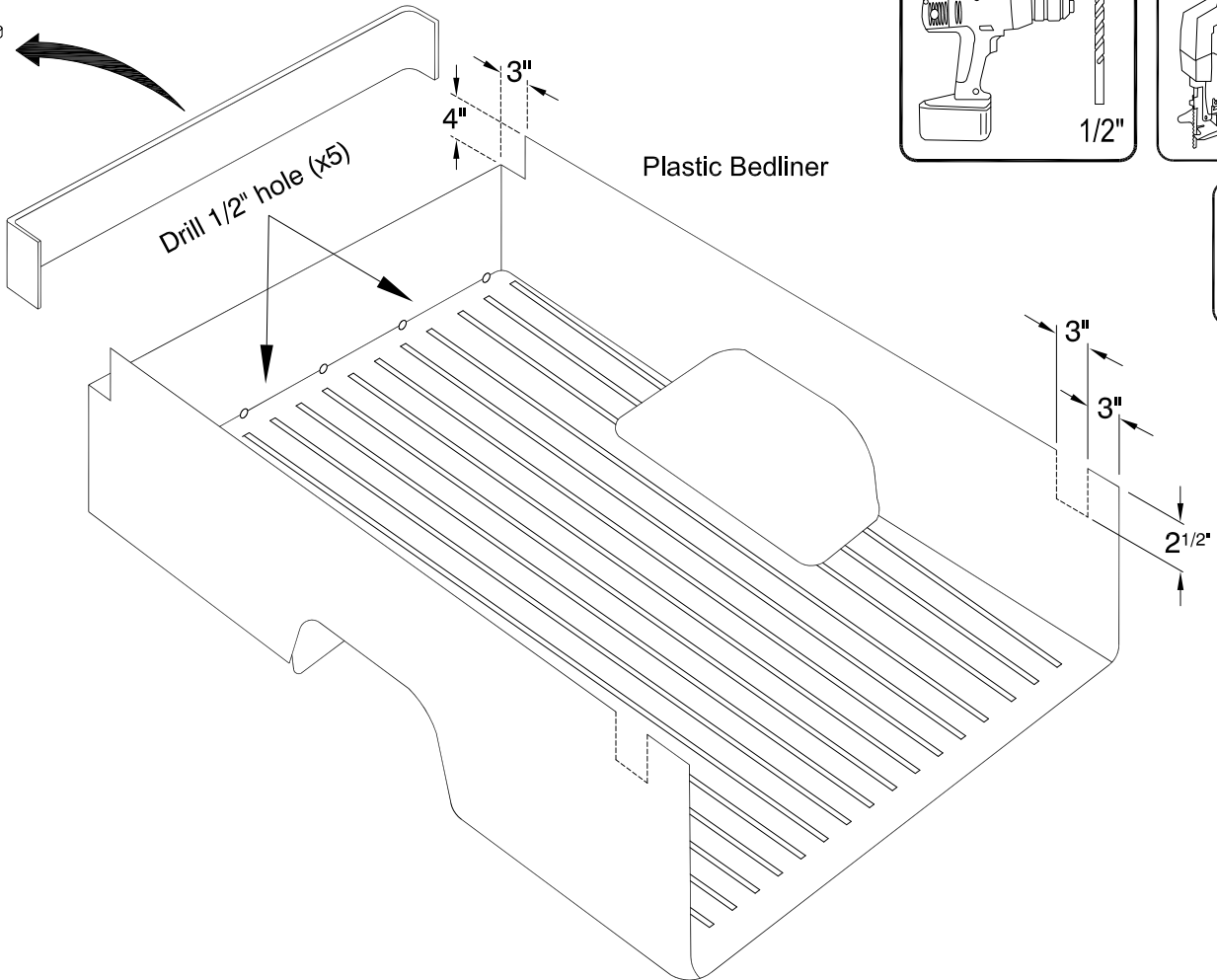
This Tonneau Cover may retract to the full open position very quickly resulting in any objects placed on top of the Tonneau Cover to fall off the Tonneau or become trapped inside of the Tonneau carrier. Do not place ANY objects on top of the Tonneau Cover when attempting to close. Failure to follow the instruction may result in damage to your vehicle, belongings or Tonneau Cover. To avoid injury keep all body parts clear of Tonneau Cover and carrier when opening.

1a

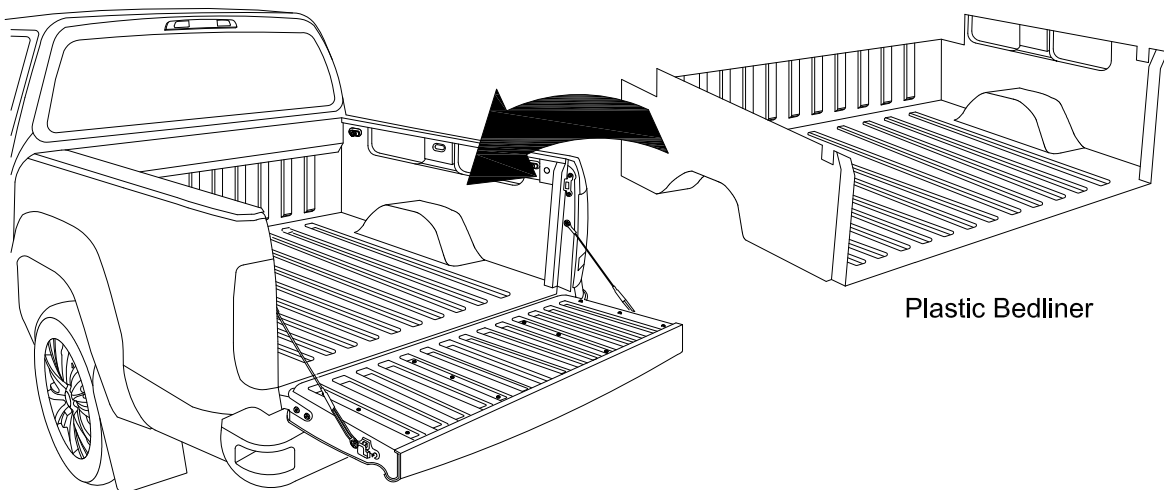
If no bedliner present
proceed to
page 5 - step 1



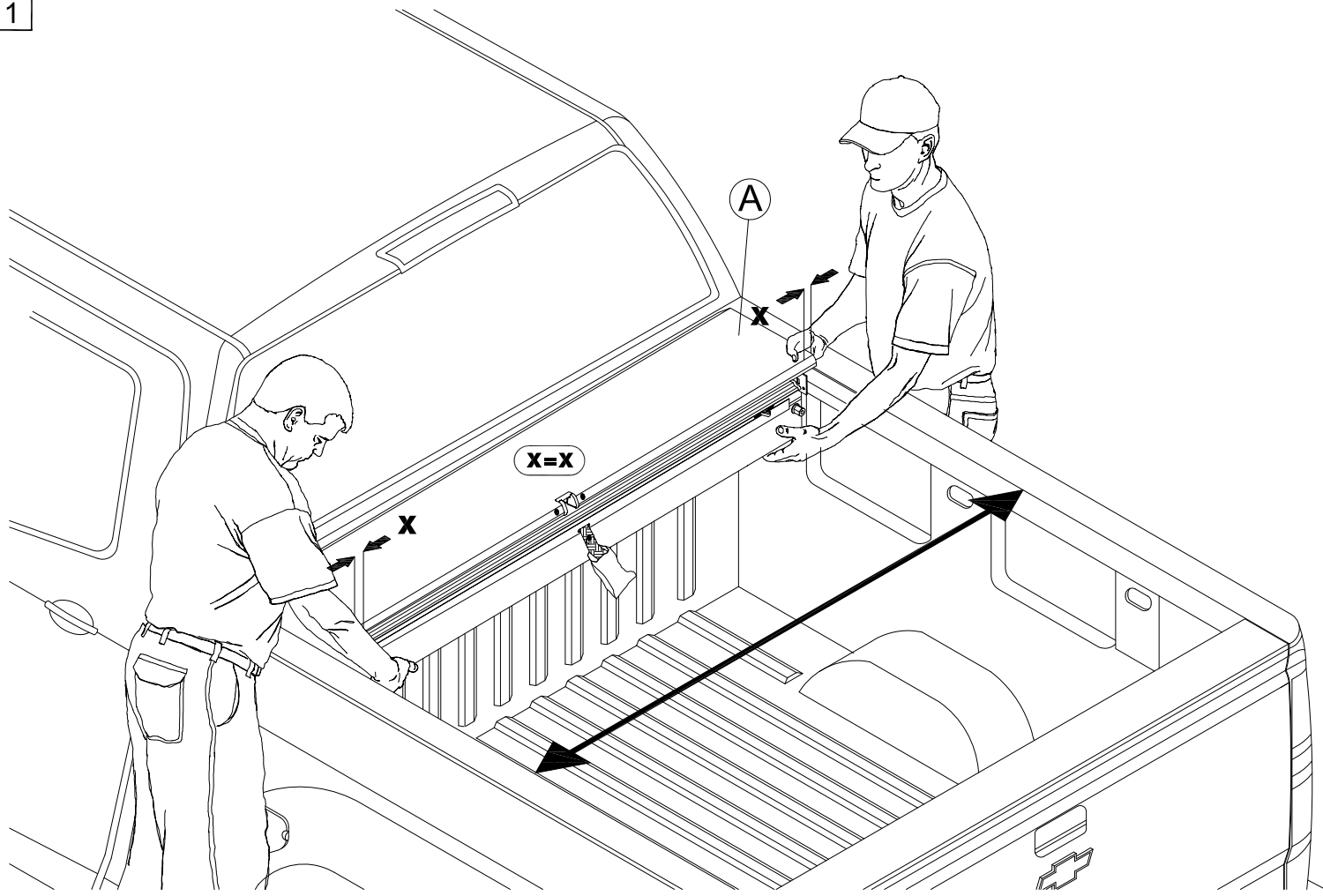
1b



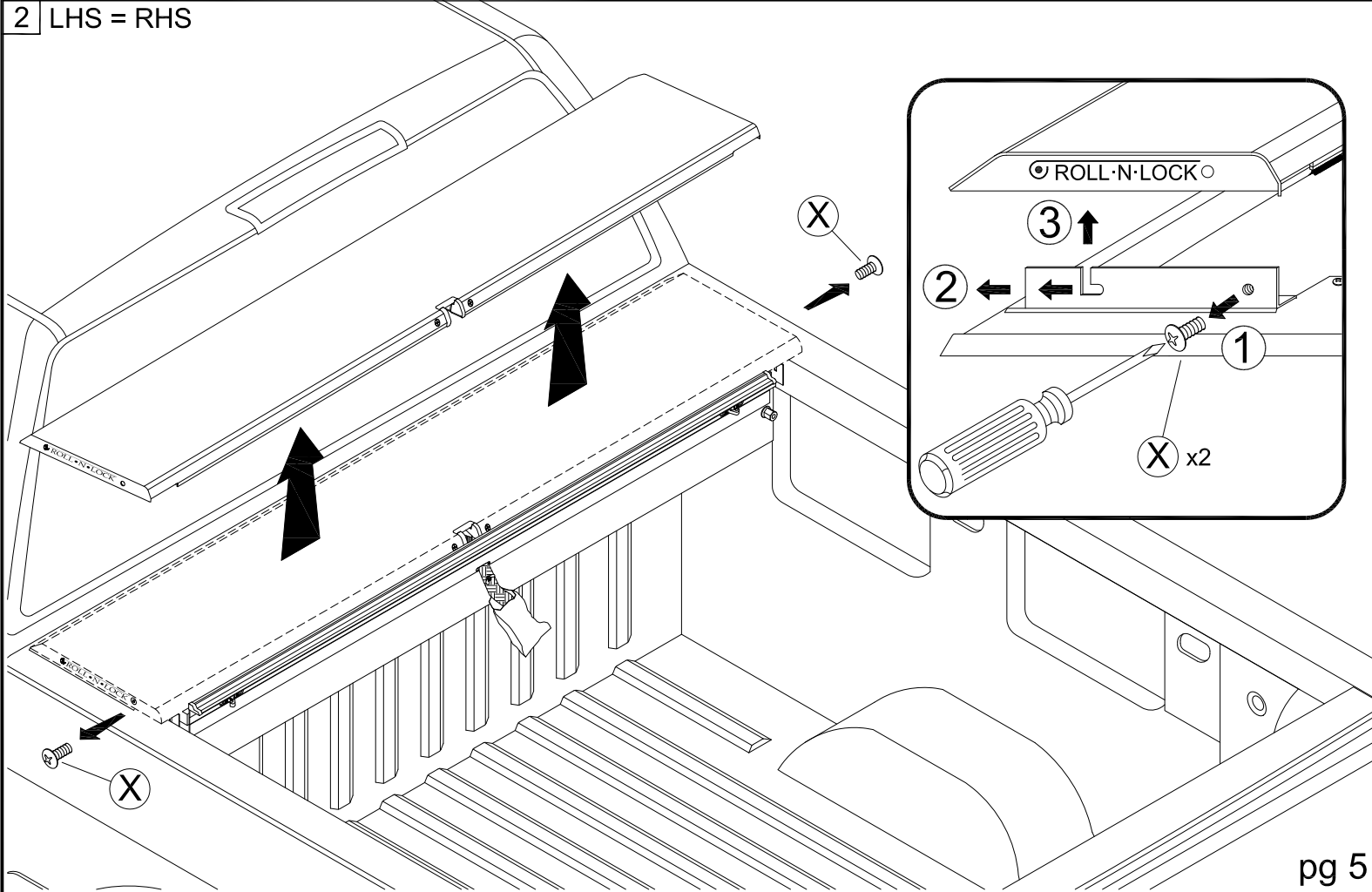
1c

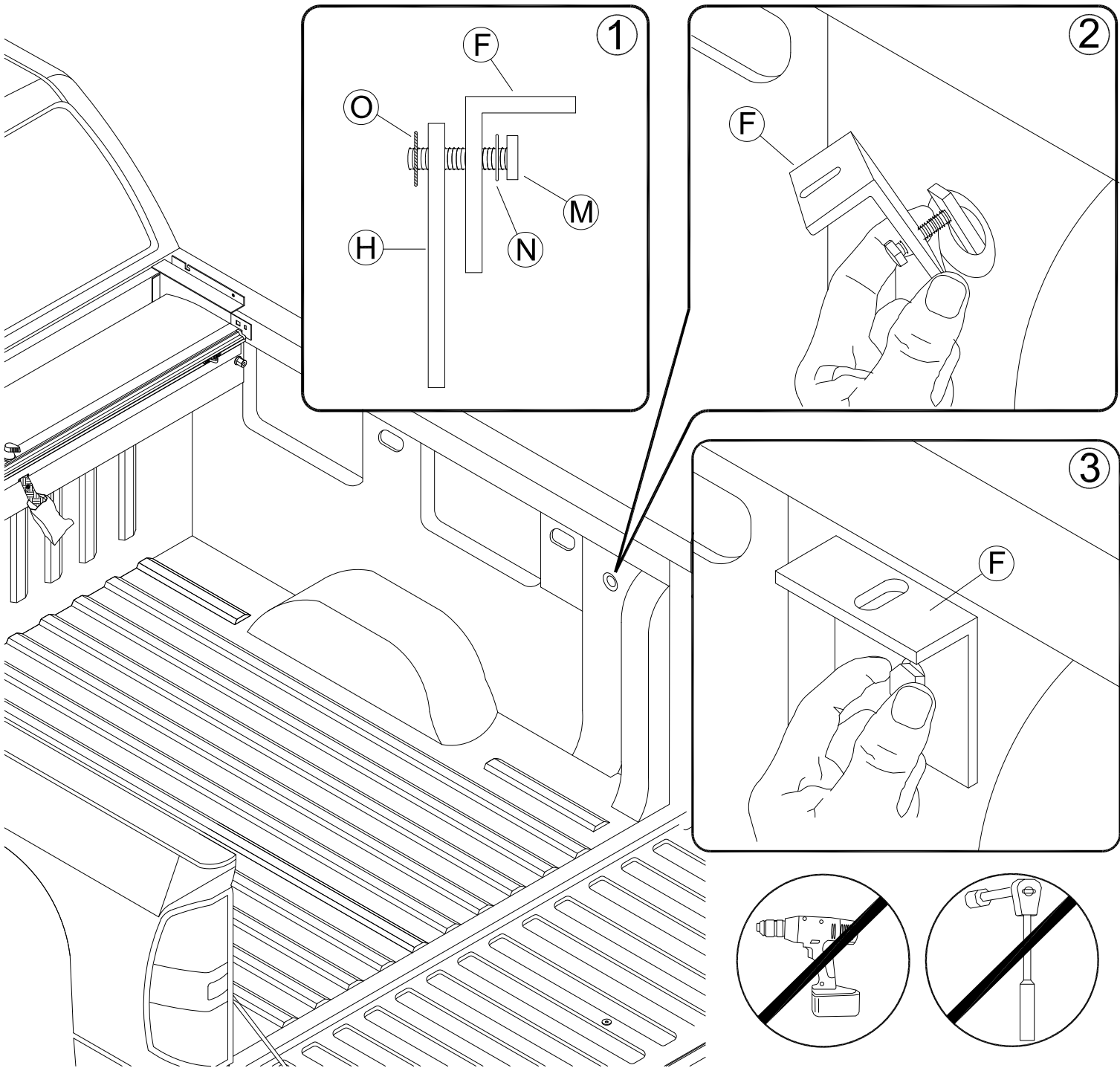


1



2 LHS = RHS

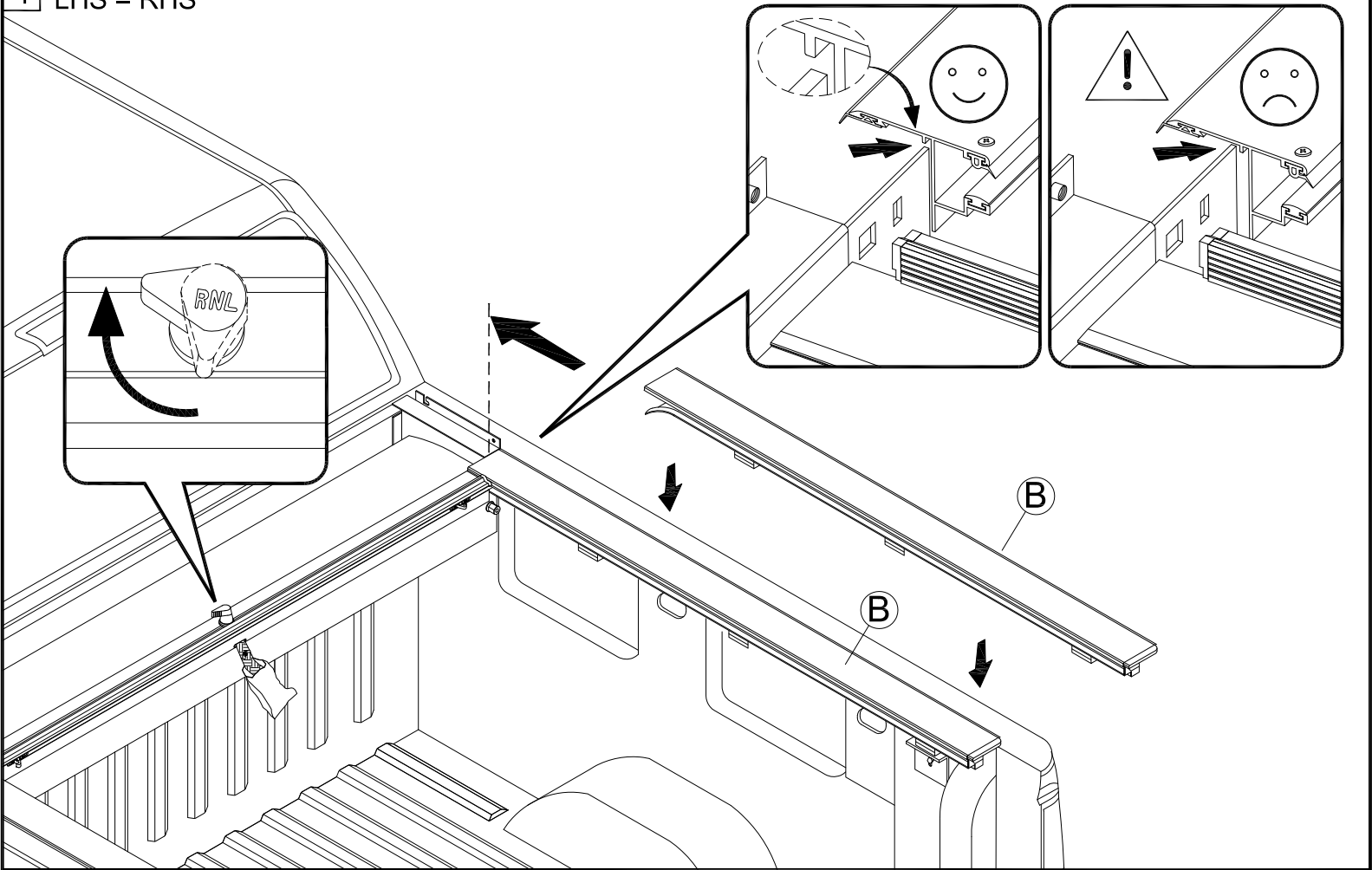




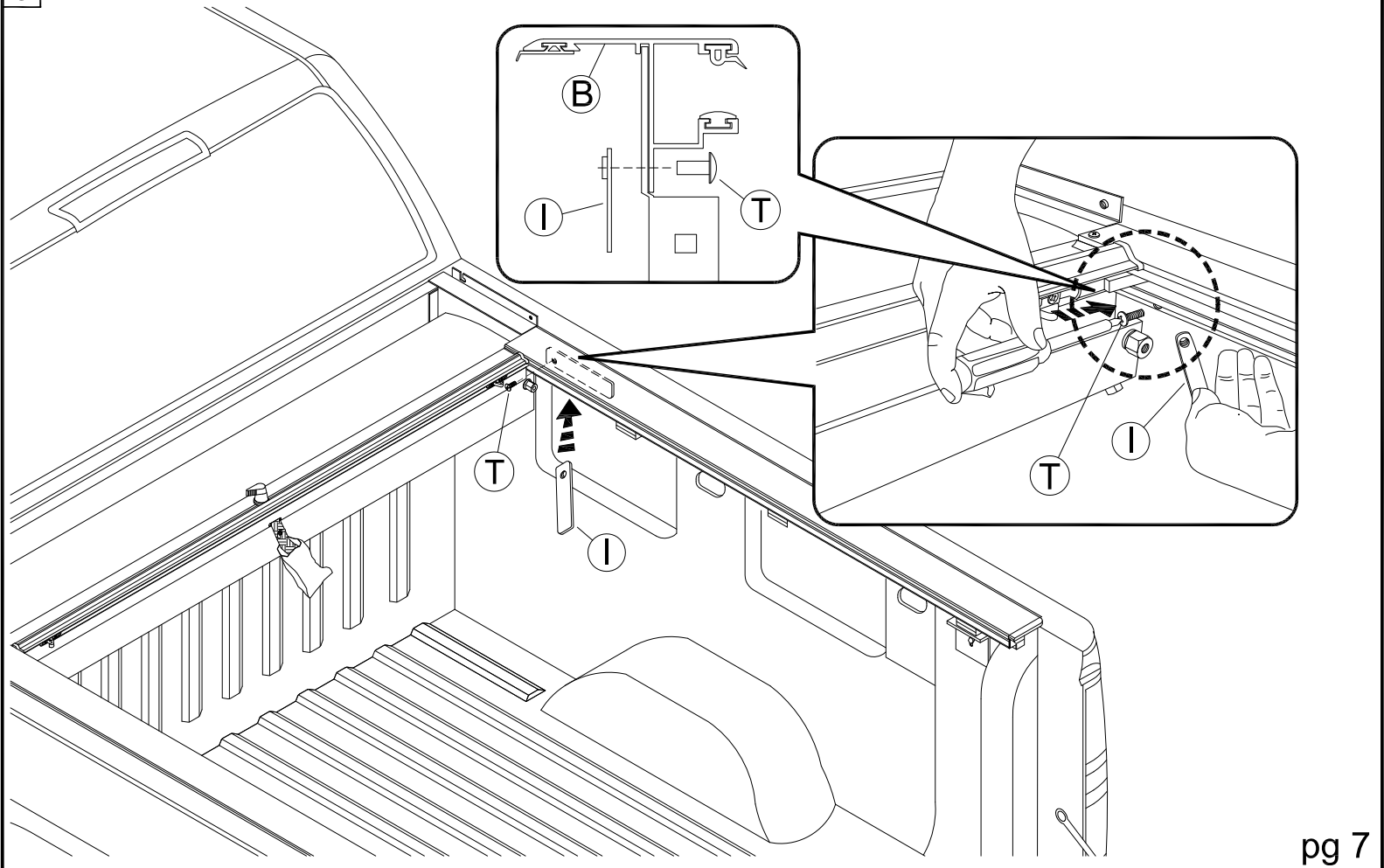
STOP

See supplemental instructions attached to the Tailgate Extrusion - part **C**

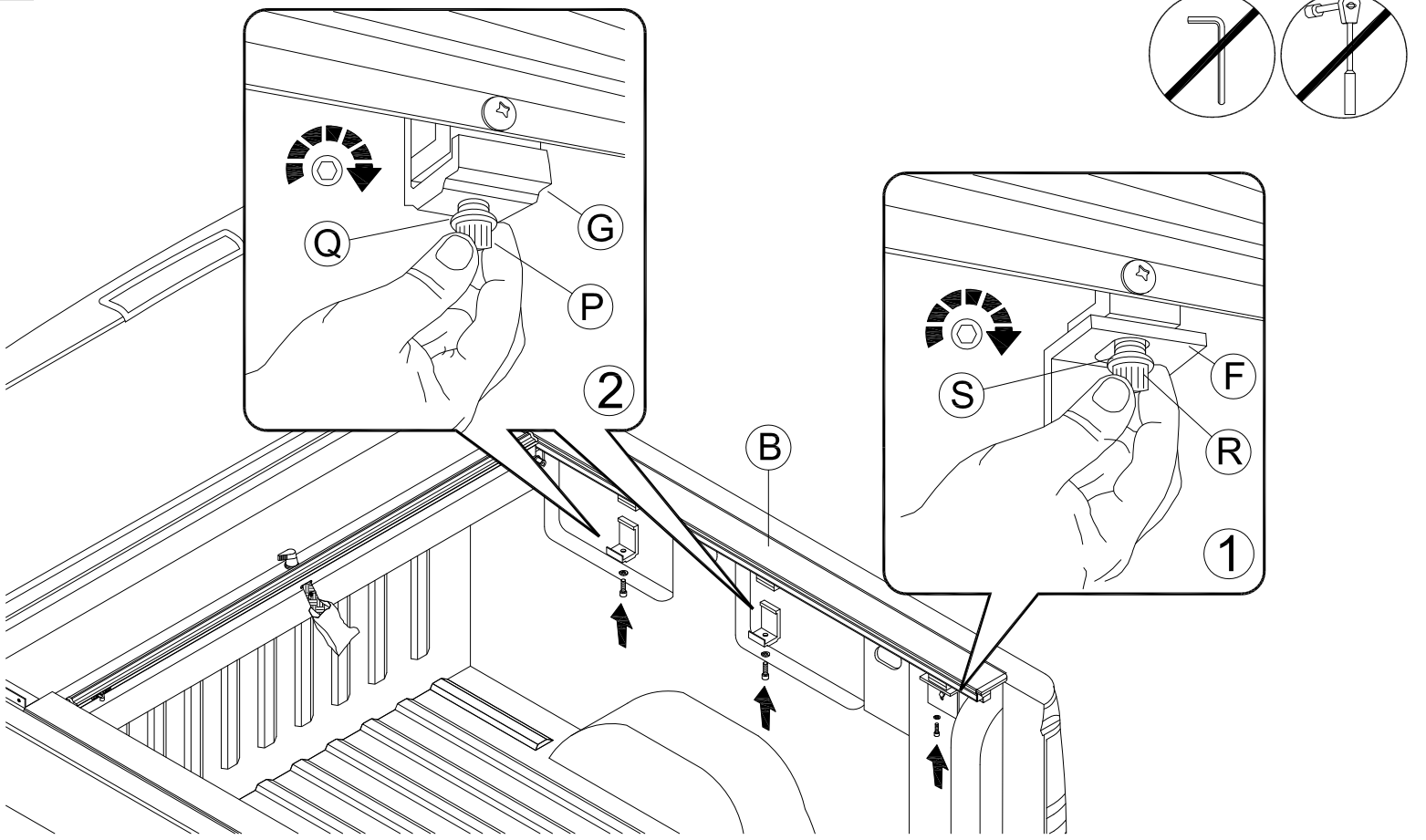
4 LHS = RHS



5 LHS = RHS

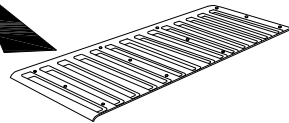
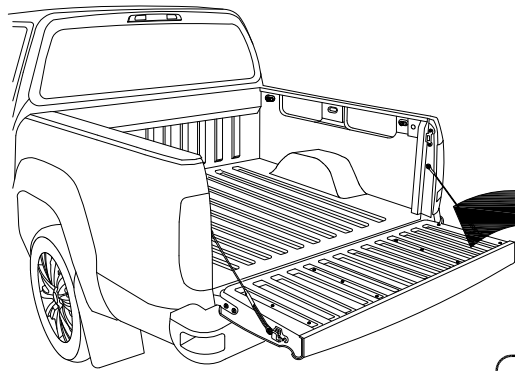
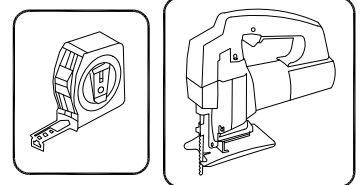


6 LHS = RHS

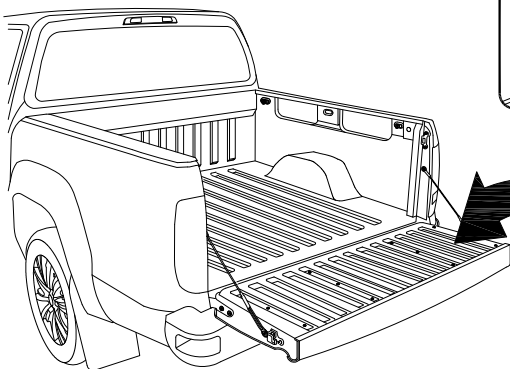
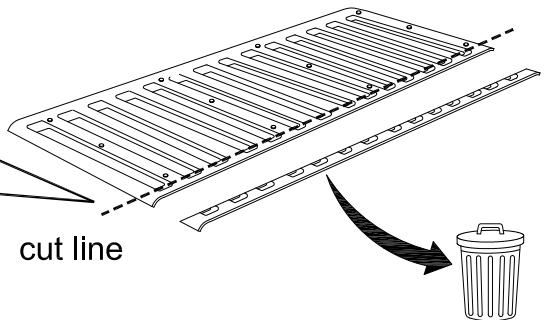
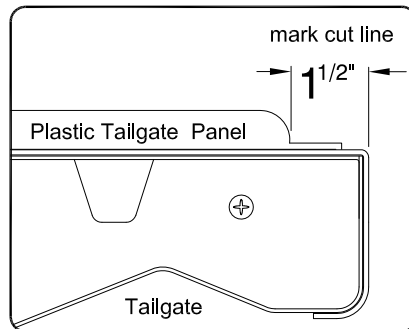


7a

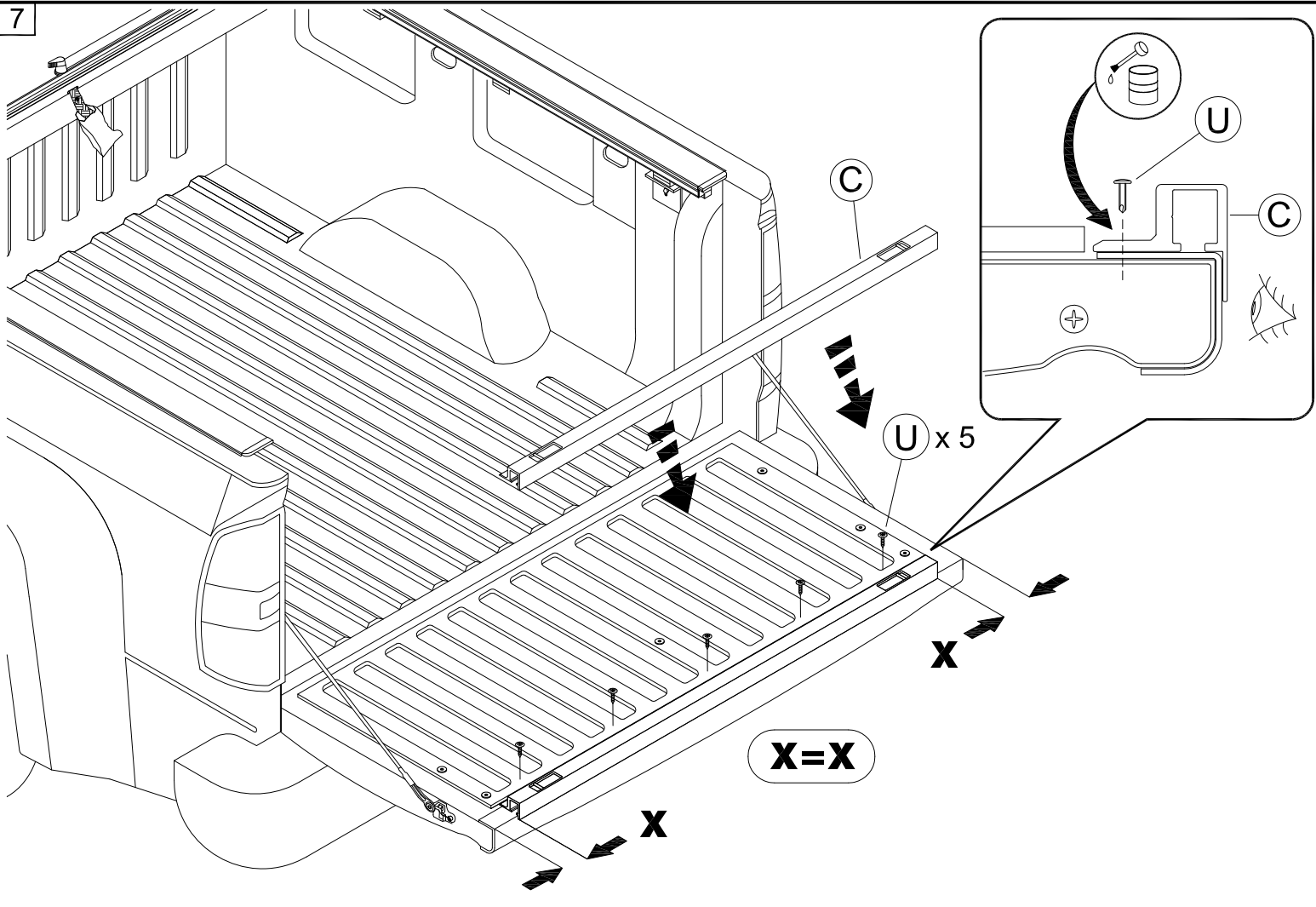
If no plastic bedliner present proceed to Step 7



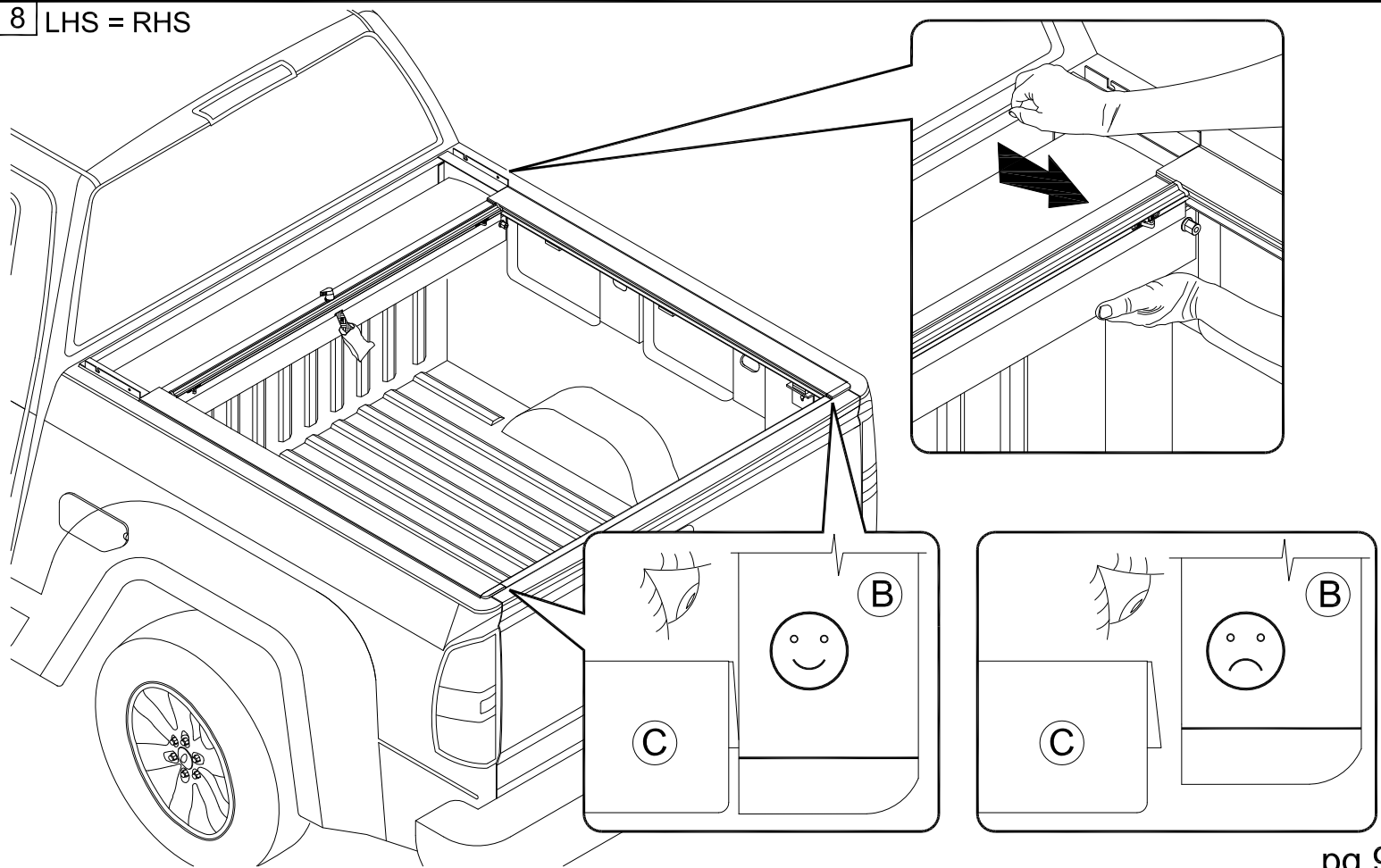
Plastic Tailgate Panel



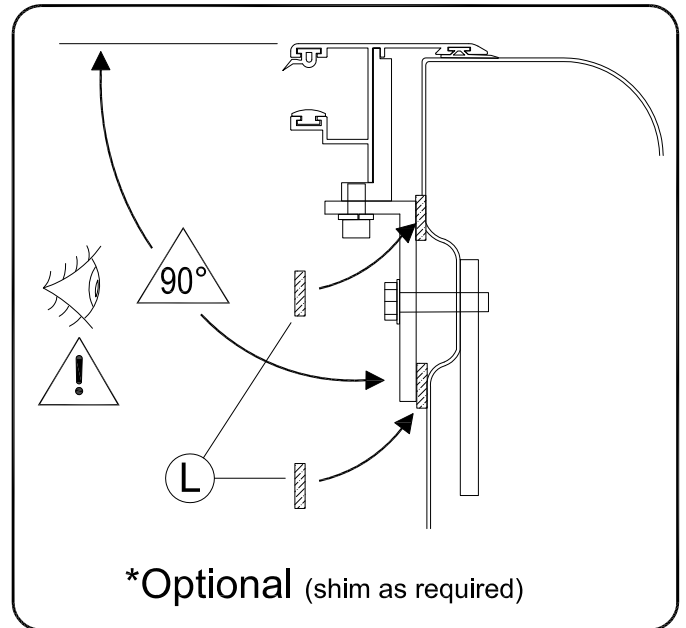
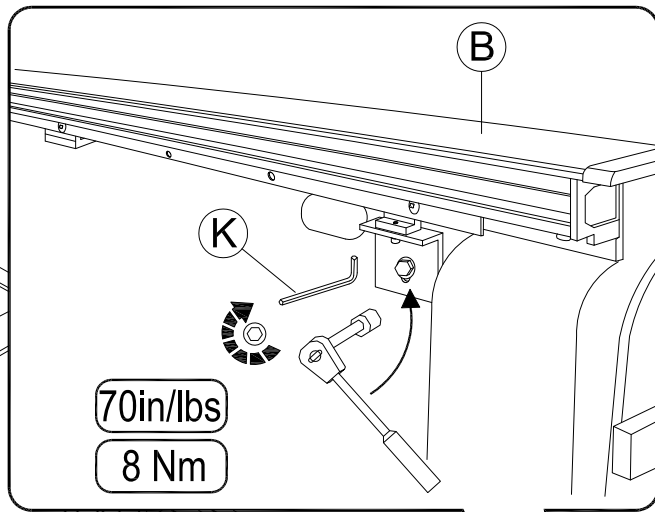
7



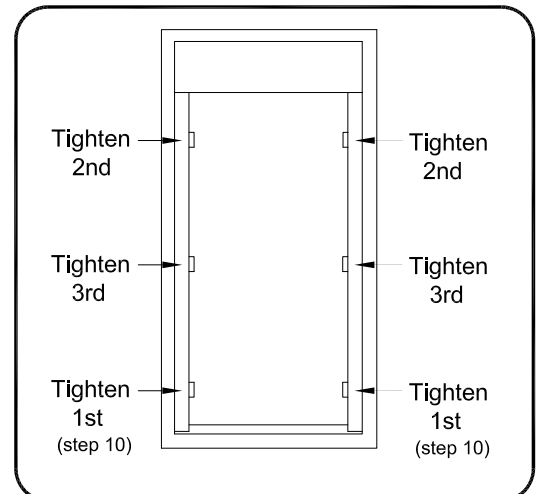
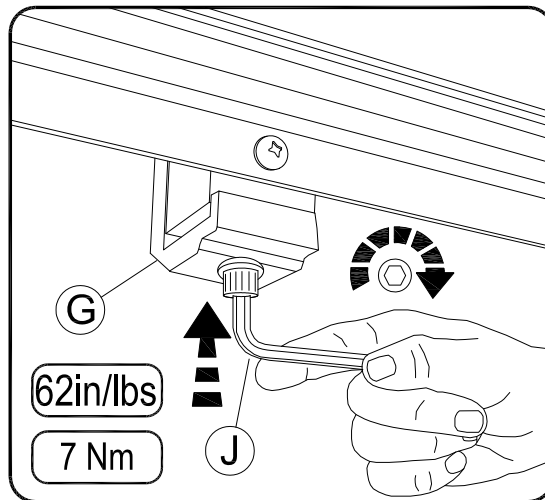
8 LHS = RHS



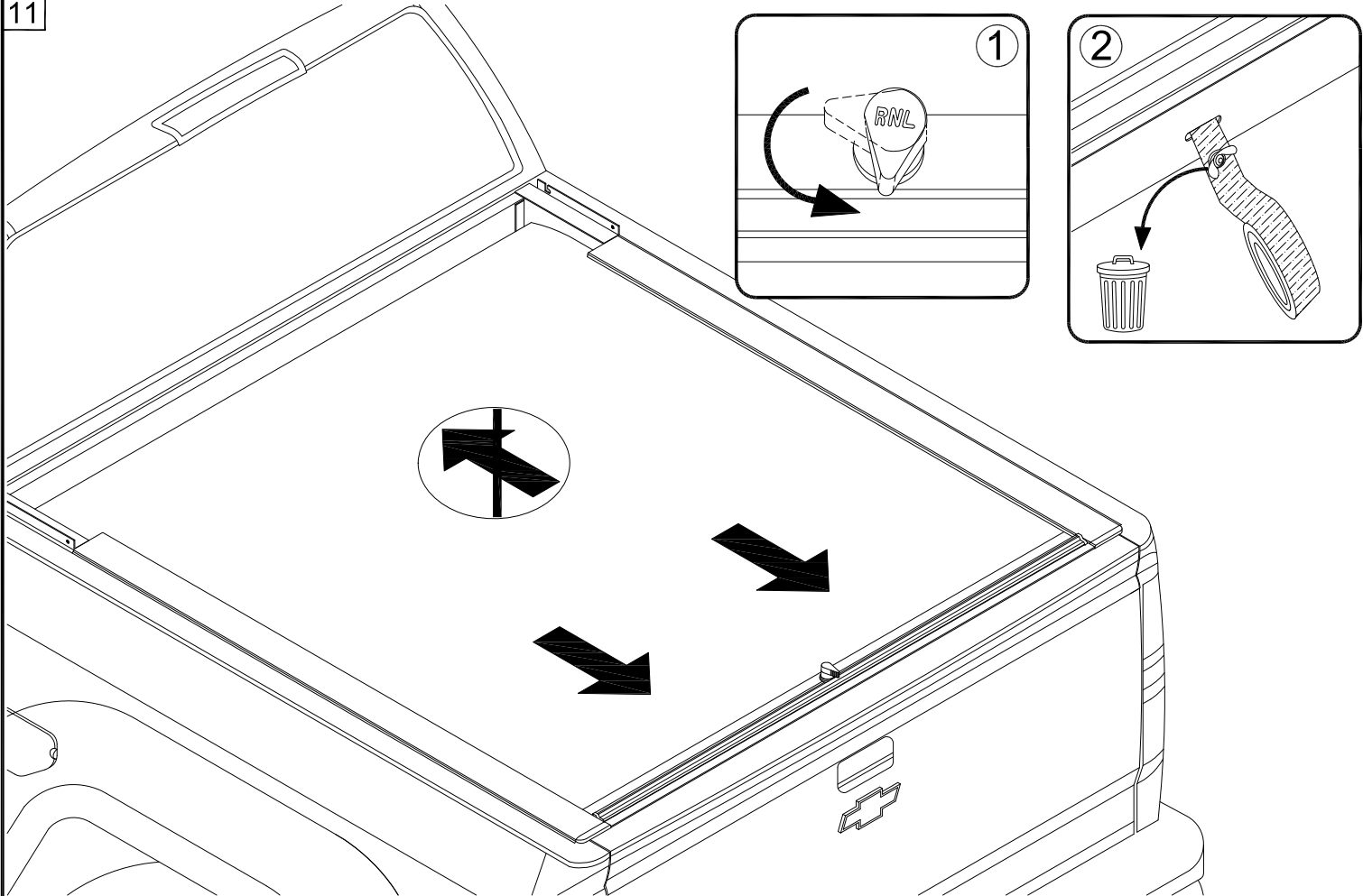
9 LHS = RHS



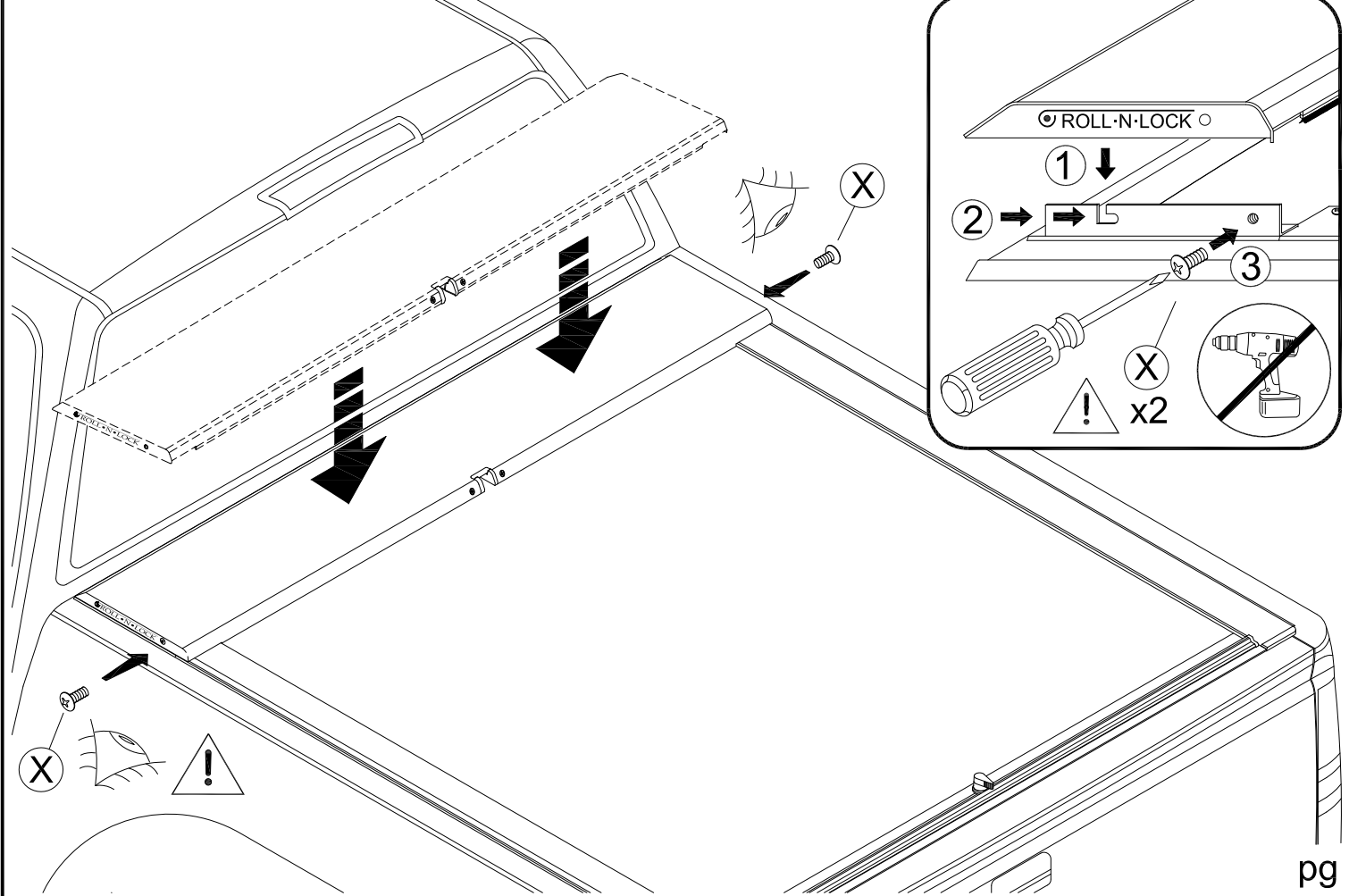
10 LHS = RHS



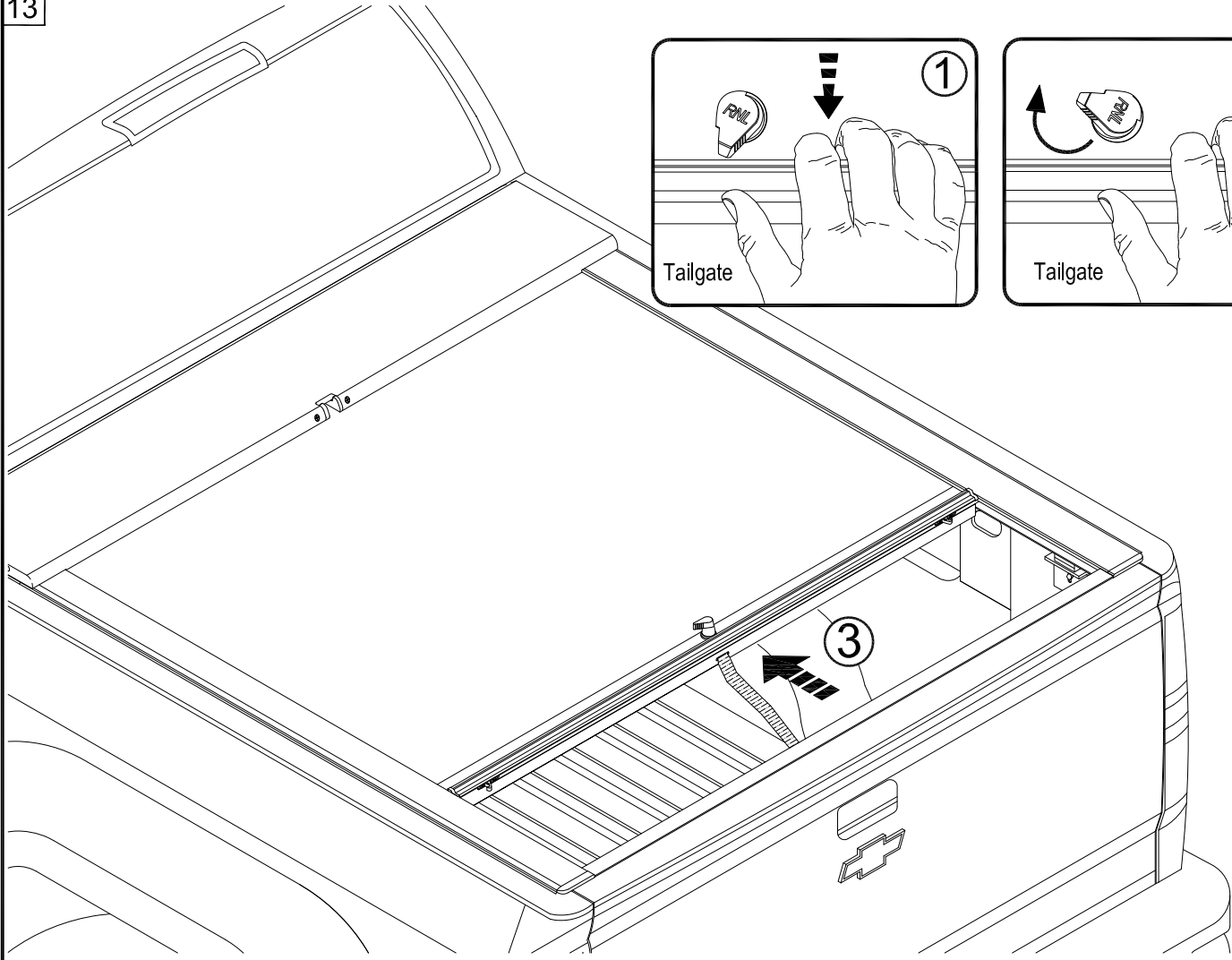
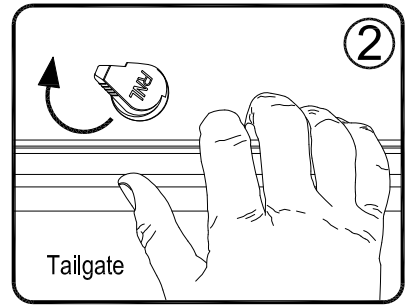
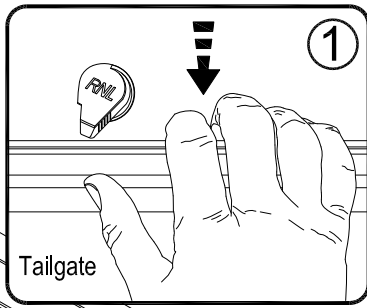
11



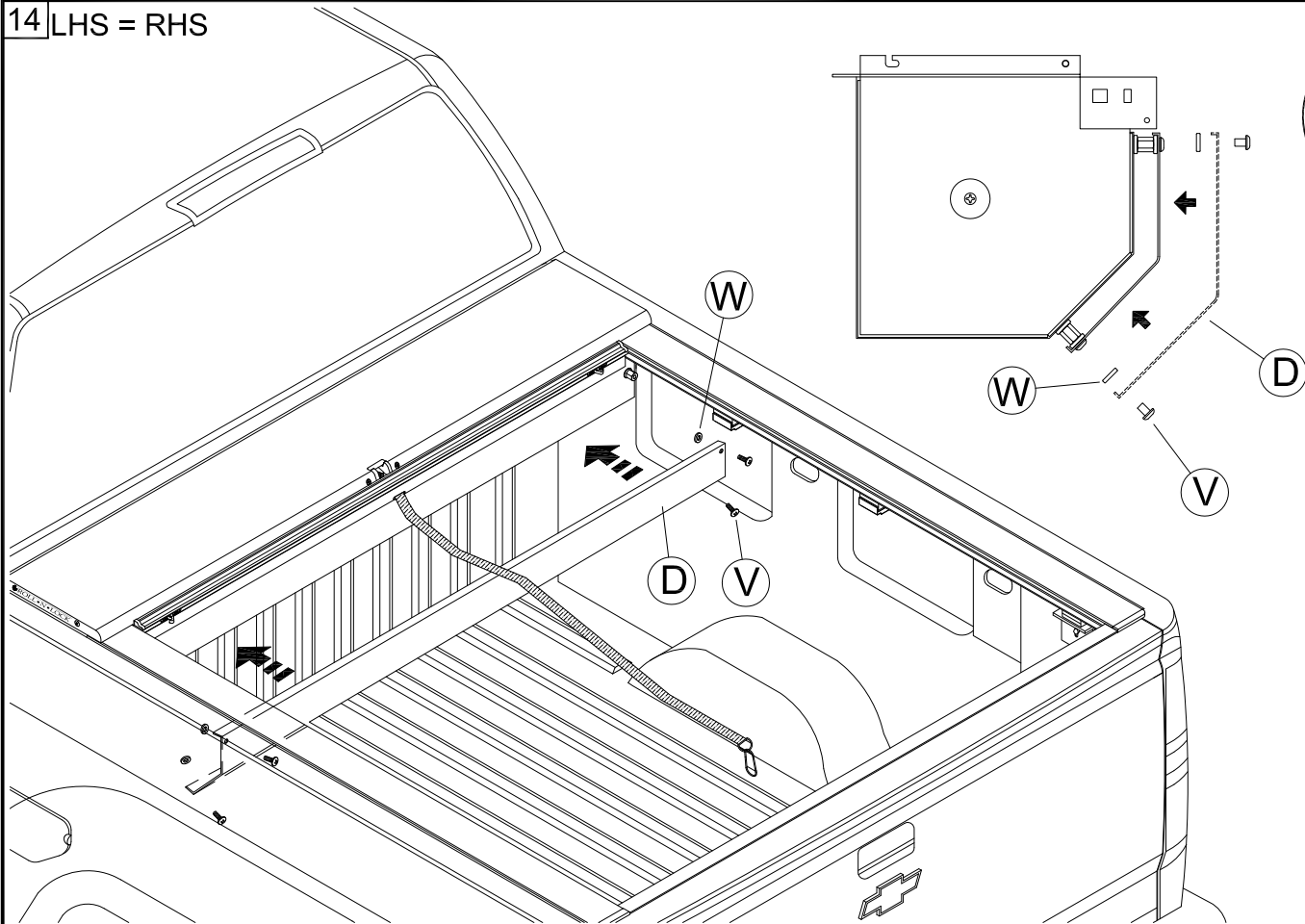
12 LHS = RHS

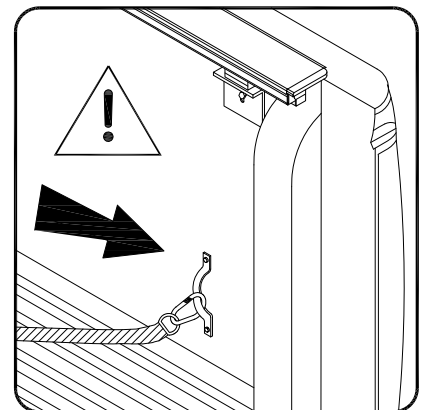
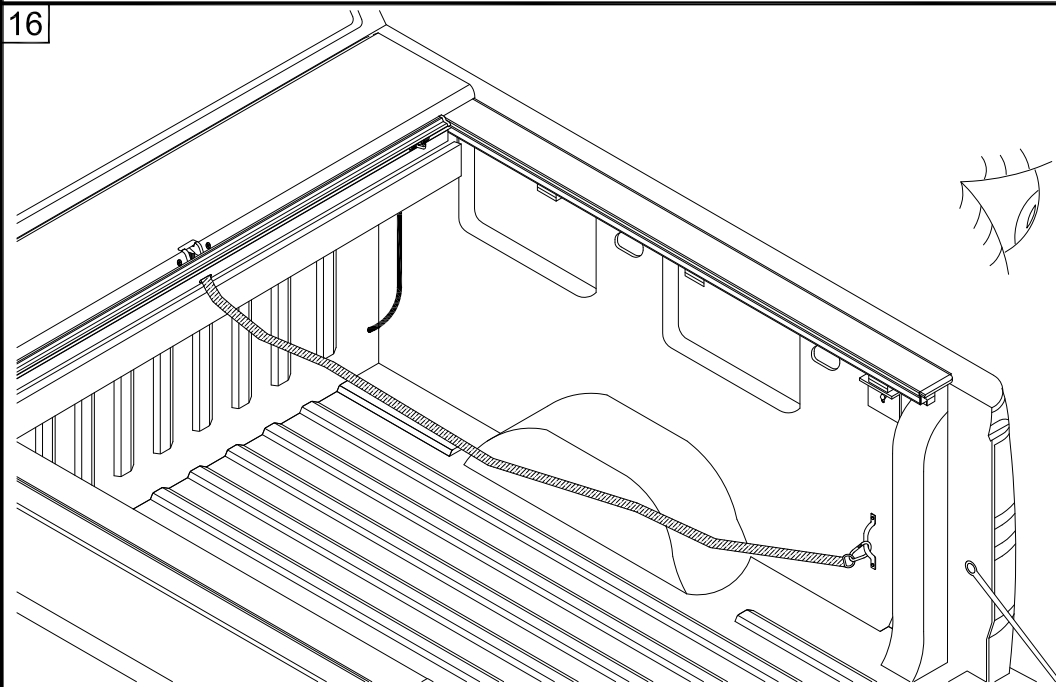
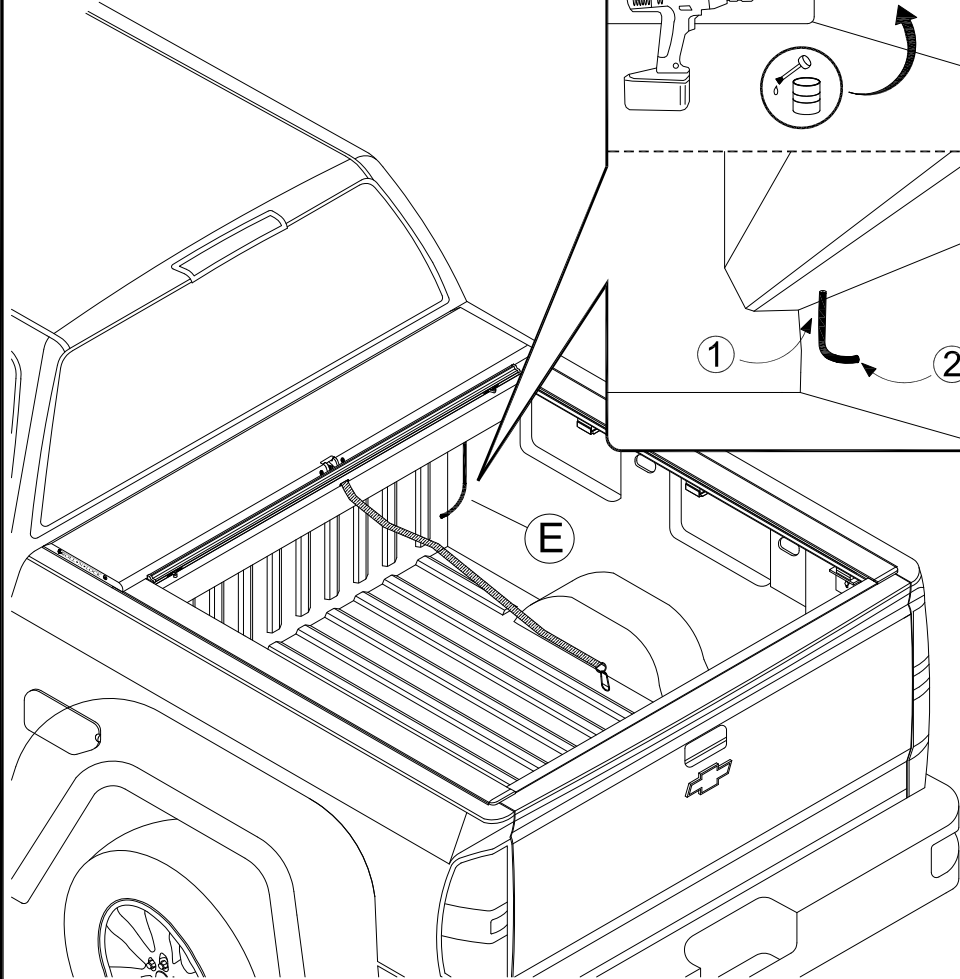
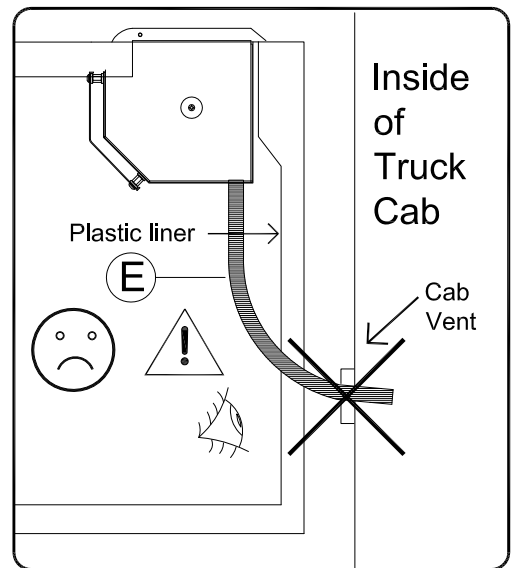
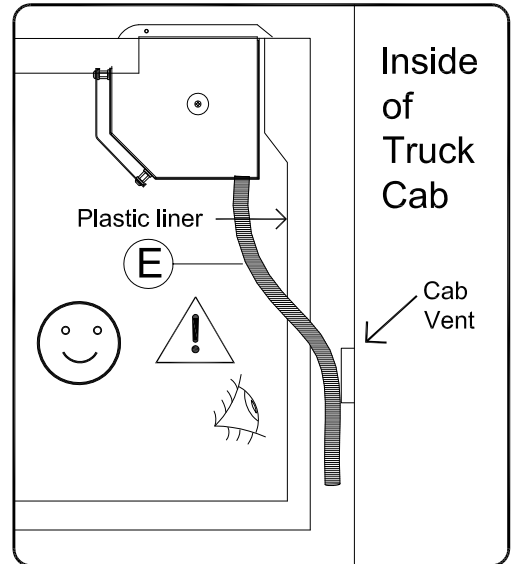
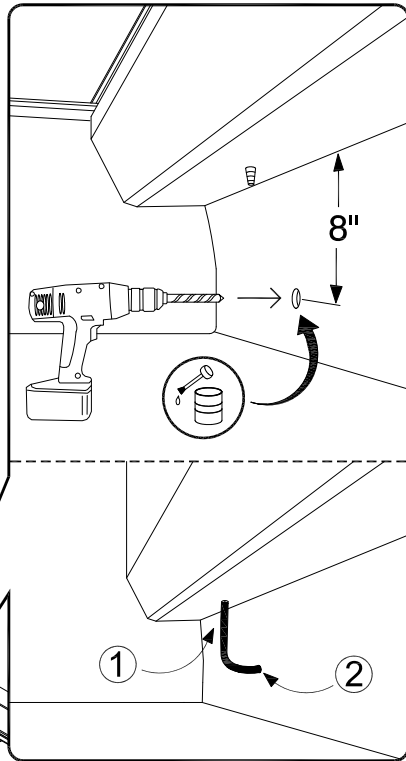
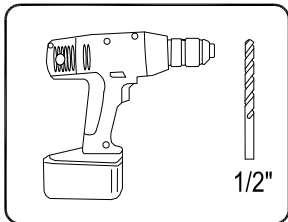


13



14 LHS = RHS







Any questions please call Roll·N·Lock
Customer Service at 800-958-7655 or rollnlock.com

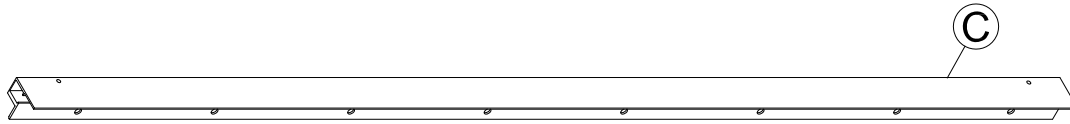


Optional Tailgate Extrusion

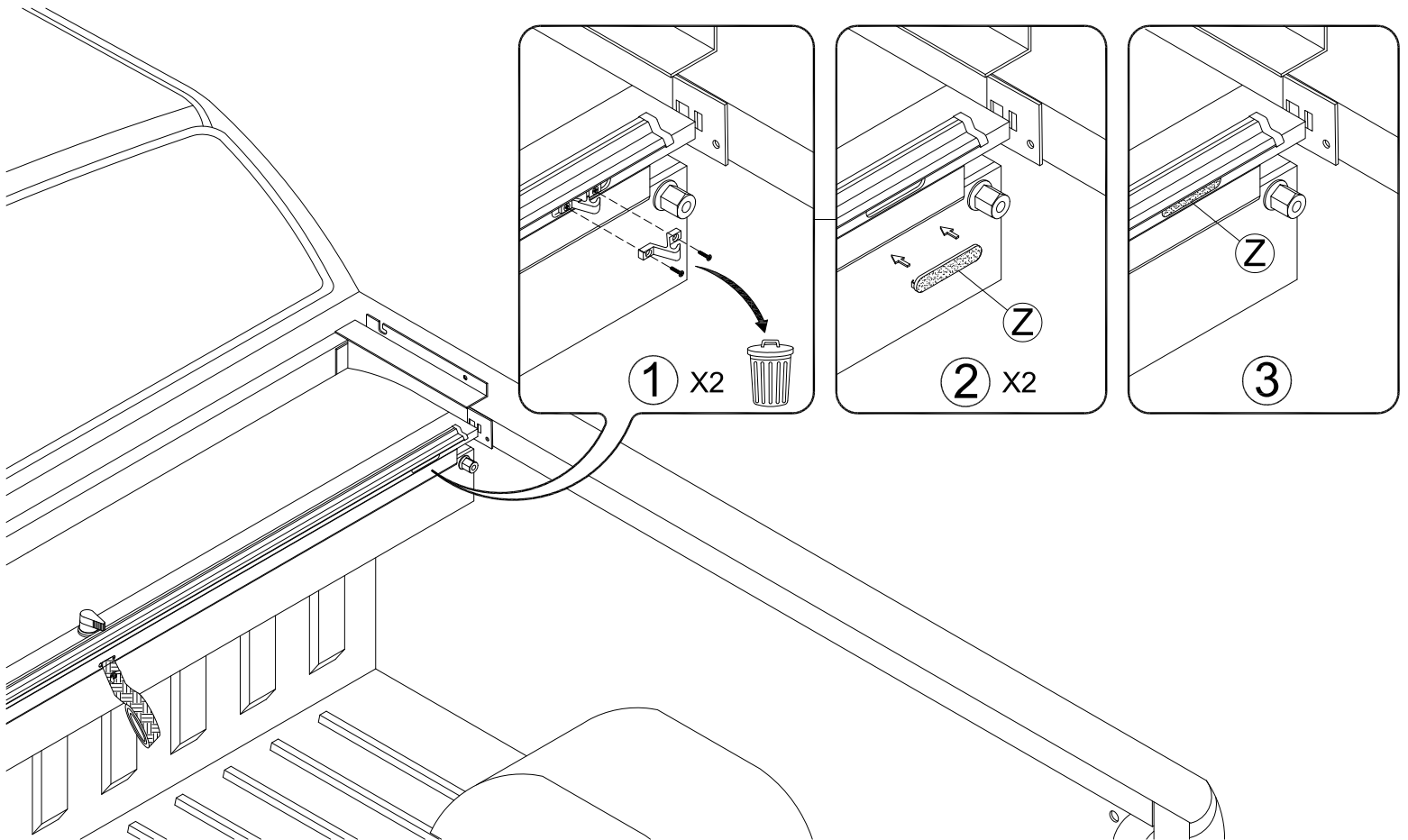
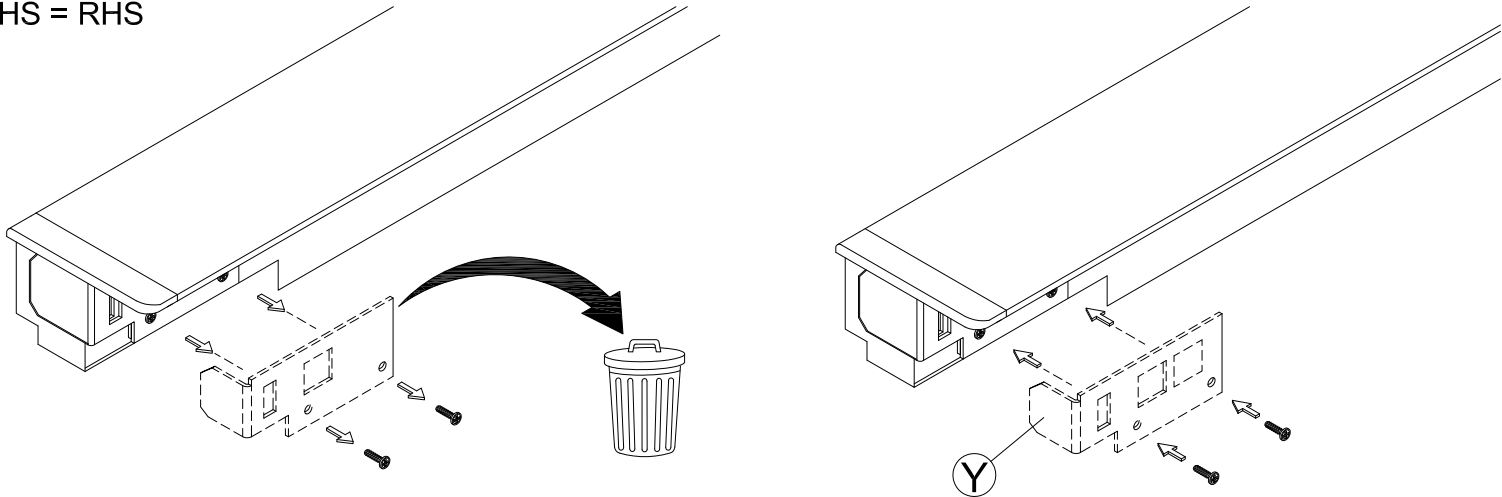


Product Code: 261 - 262

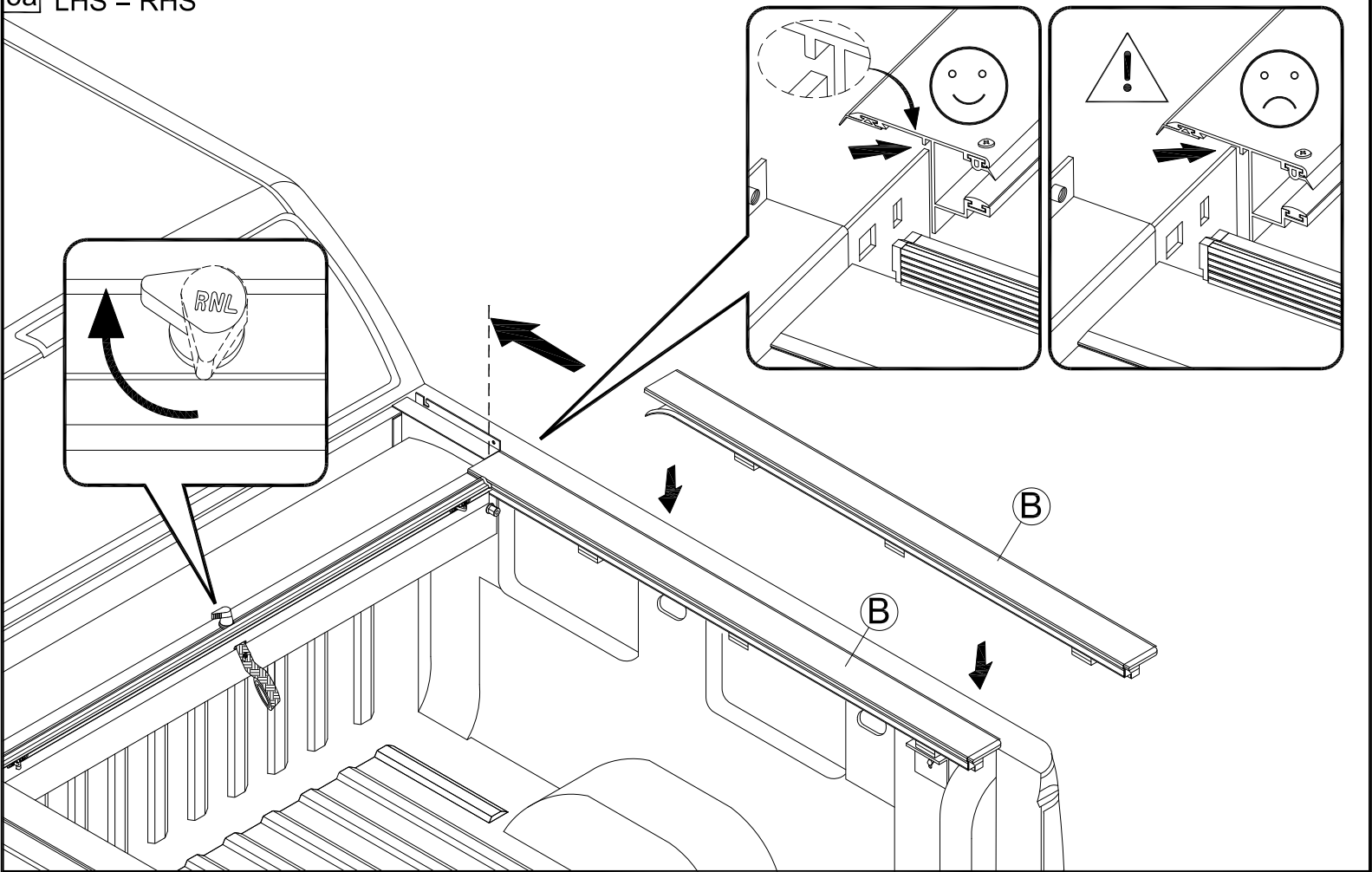
If you choose to install the optional Tailgate Extrusion **(C)**, please disregard these instructions and continue with the standard installation guide. If you **DO NOT** wish to install the Tailgate Extrusion please complete the steps below and resume the standard installation guide at Step **9**.



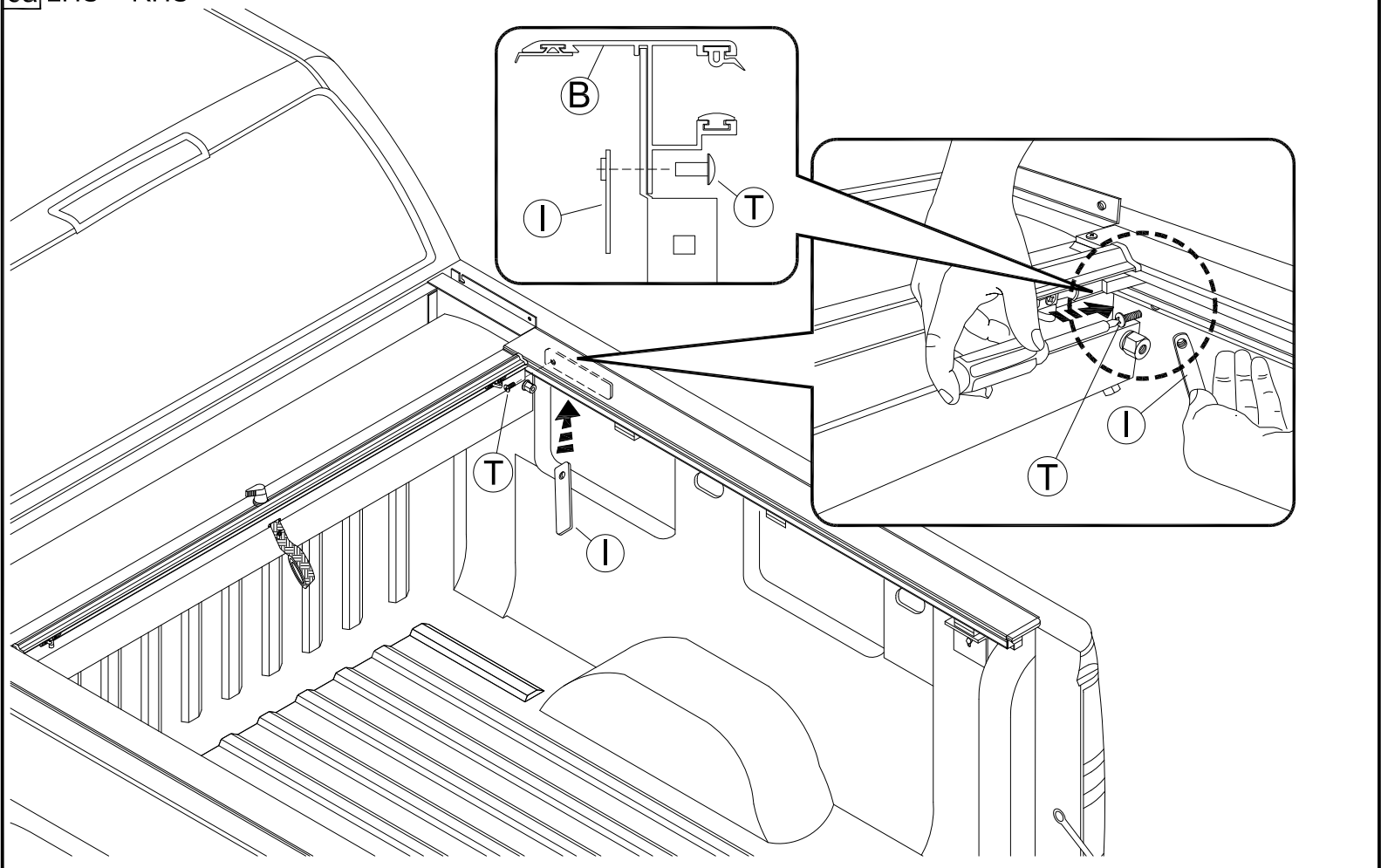
4a LHS = RHS



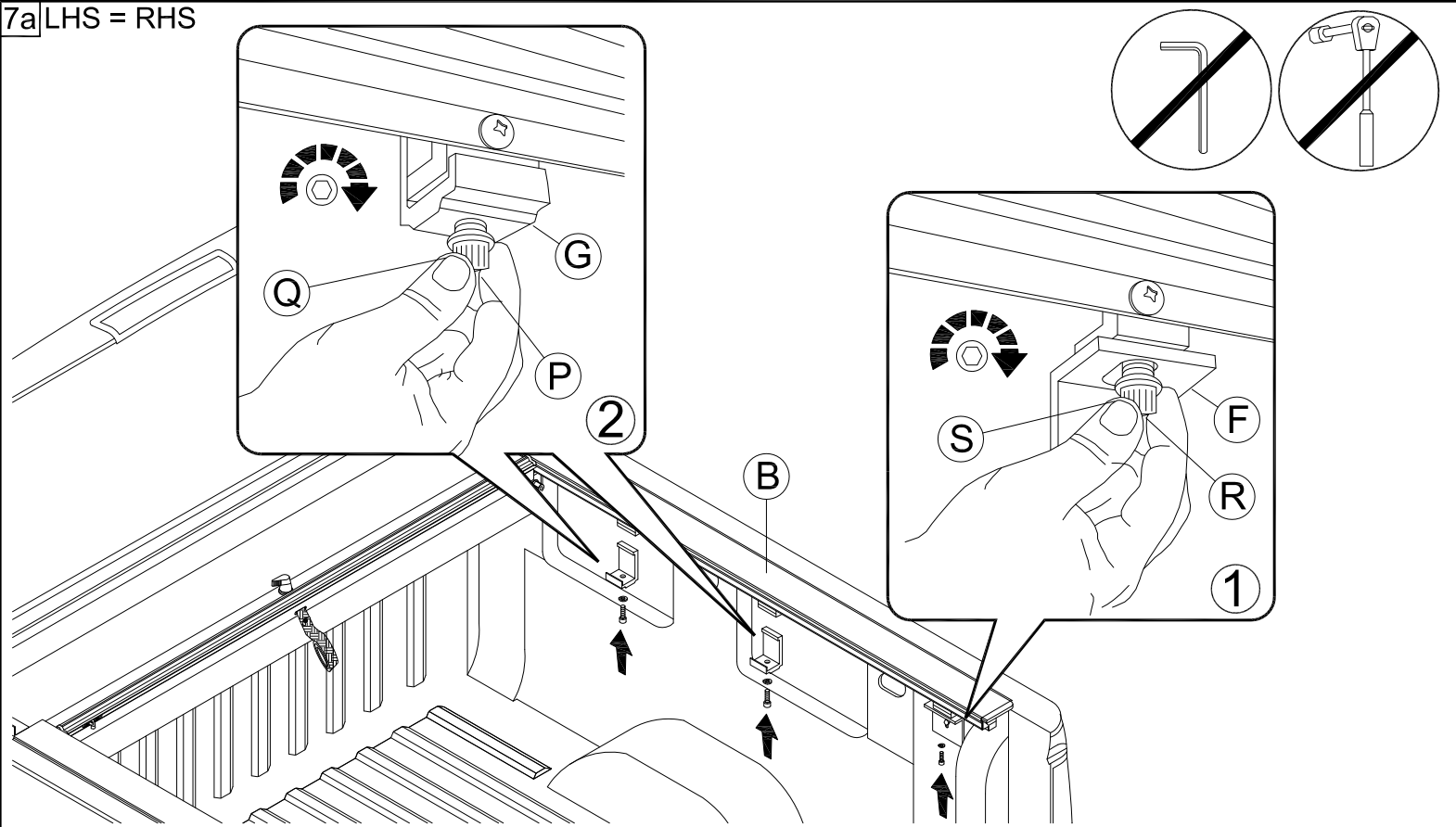
5a LHS = RHS



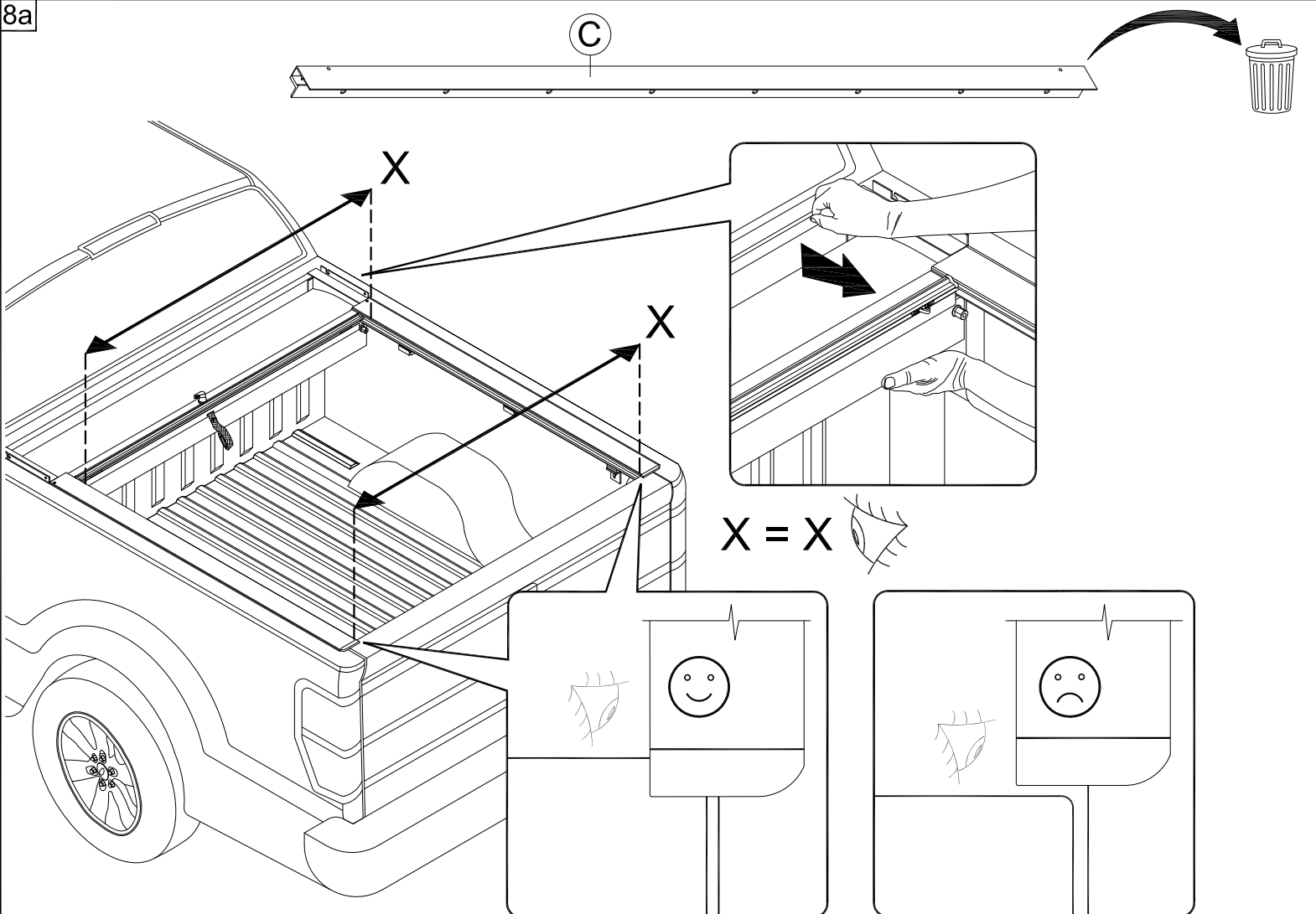
6a LHS = RHS



7a LHS = RHS



8a



* Resume standard installation guide at Step 9.