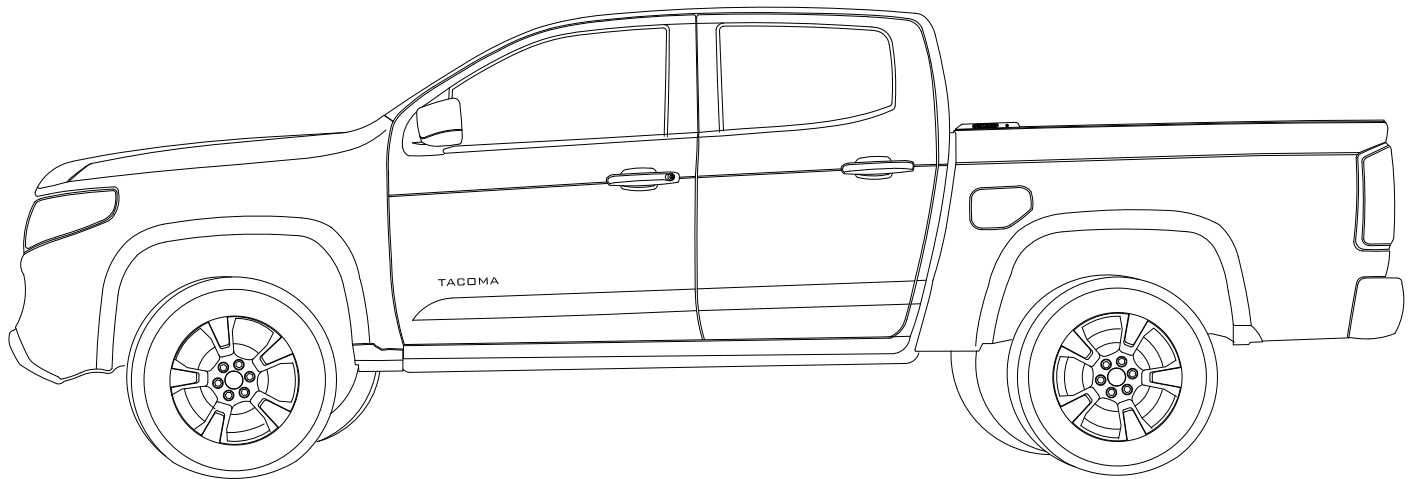




# Installation Guide

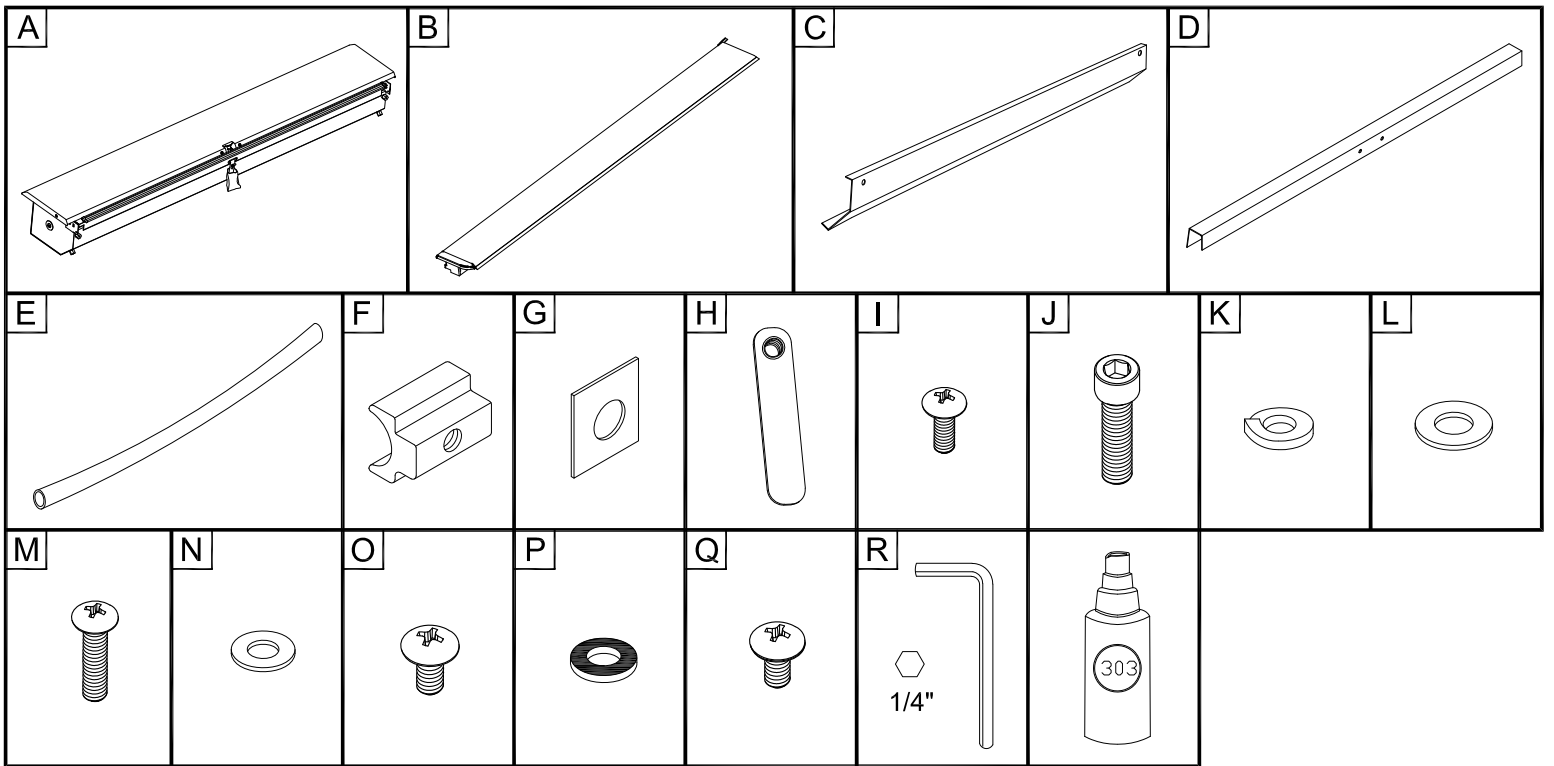
## 2016 Toyota Tacoma



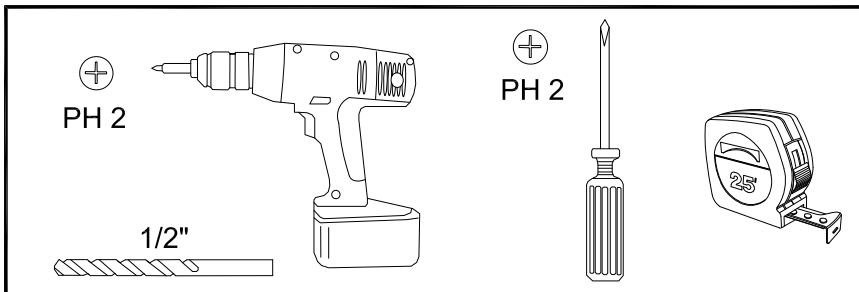
Product Codes  
530 - 531

# Parts List

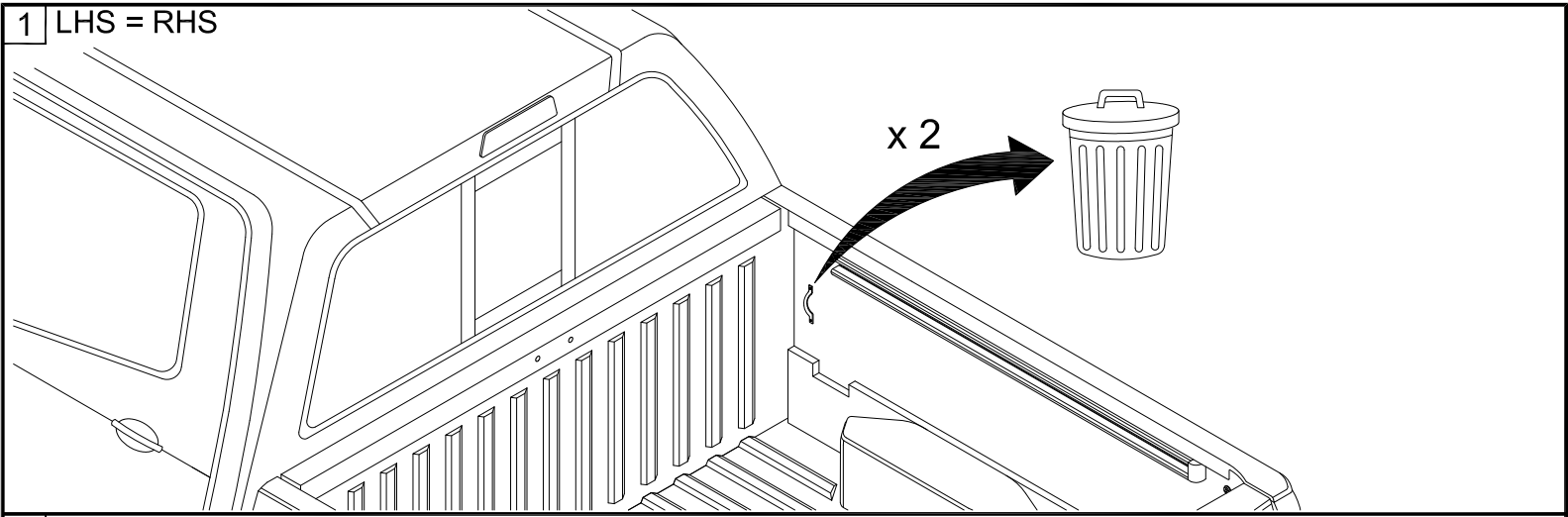
Item	Part Name	Qty.	Item	Part Name	Qty.	Item	Part Name	Qty.
A	Housing	1	G	Shim (clamp)	2	M	M6 x 25mm Screw	2
B	Track	2	H	Cargo Nut	2	N	M6 Flat Washer	2
C	Cargo Shield	1	I	#10-24 Screw	2	O	1/4-20 x 3/8" Screw	4
D	Bulkhead Flashing	1	J	5/16" Socket Cap Screw	6	P	Rubber Washer	4
E	Drain Tube	2	K	5/16" Lock Washer	6	Q	1/4" Lid Screws	2
F	Tang	6	L	5/16" Flat Washer	6	R	Allen Wrench (1/4")	1
							303 Vinyl Protector	



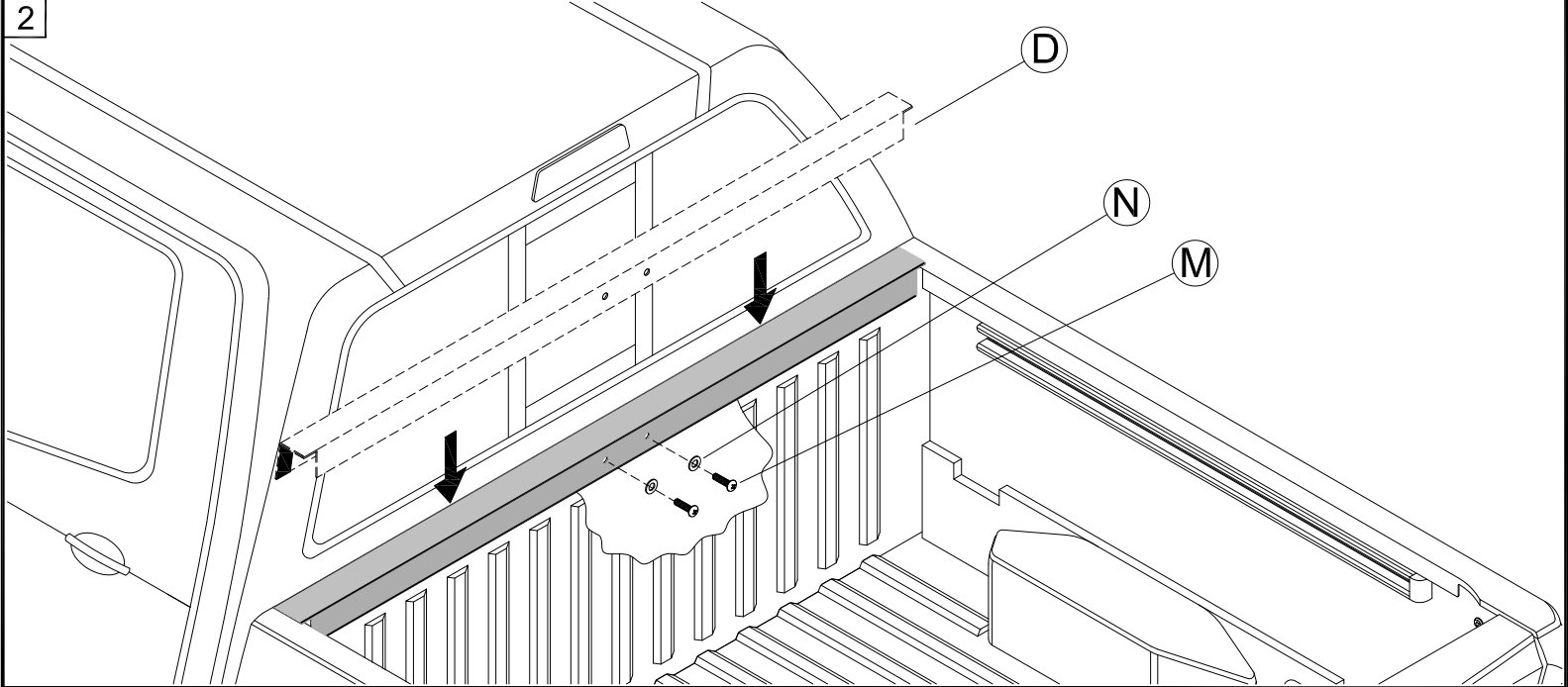
## Tools Needed



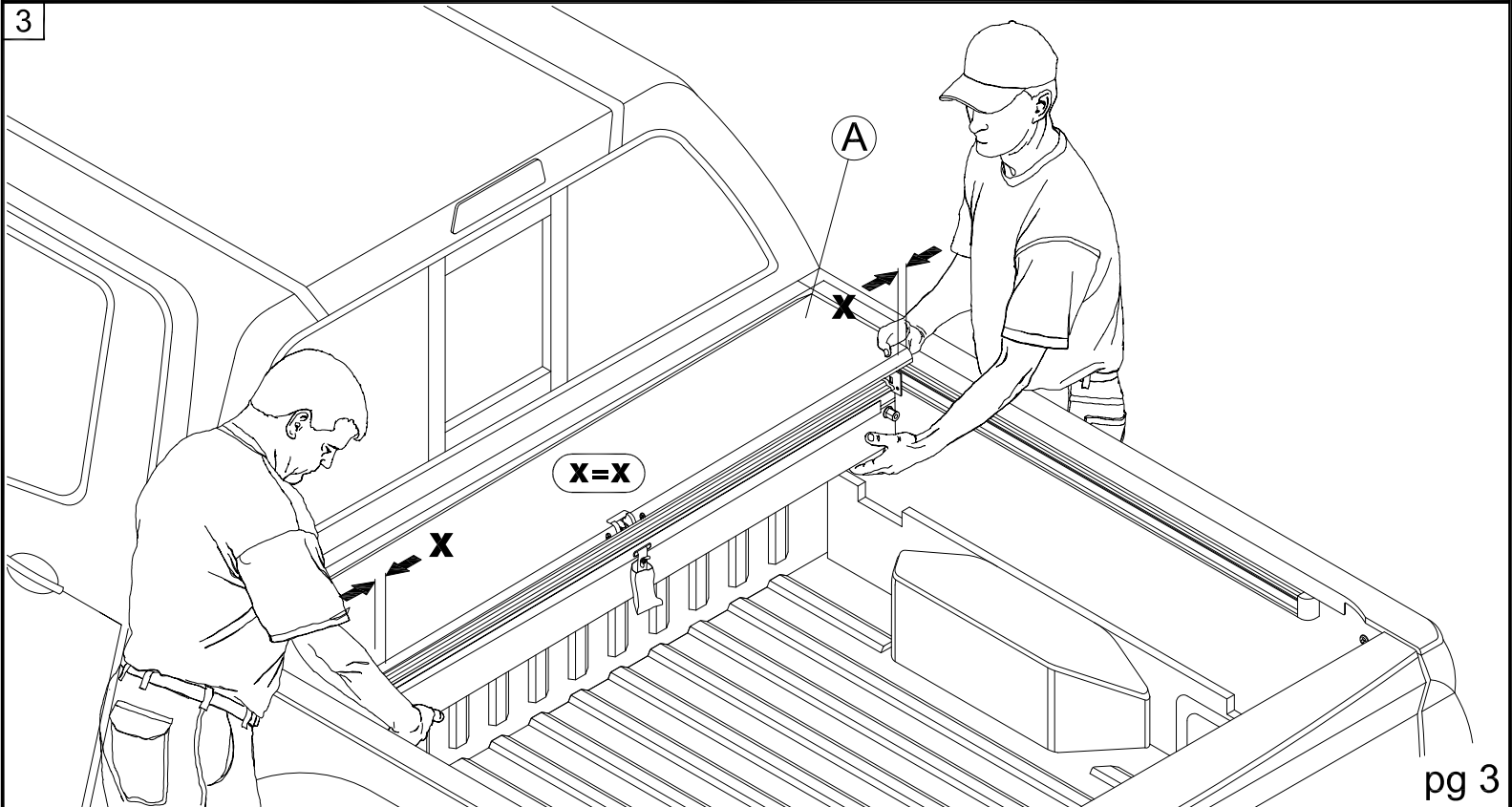
1 LHS = RHS



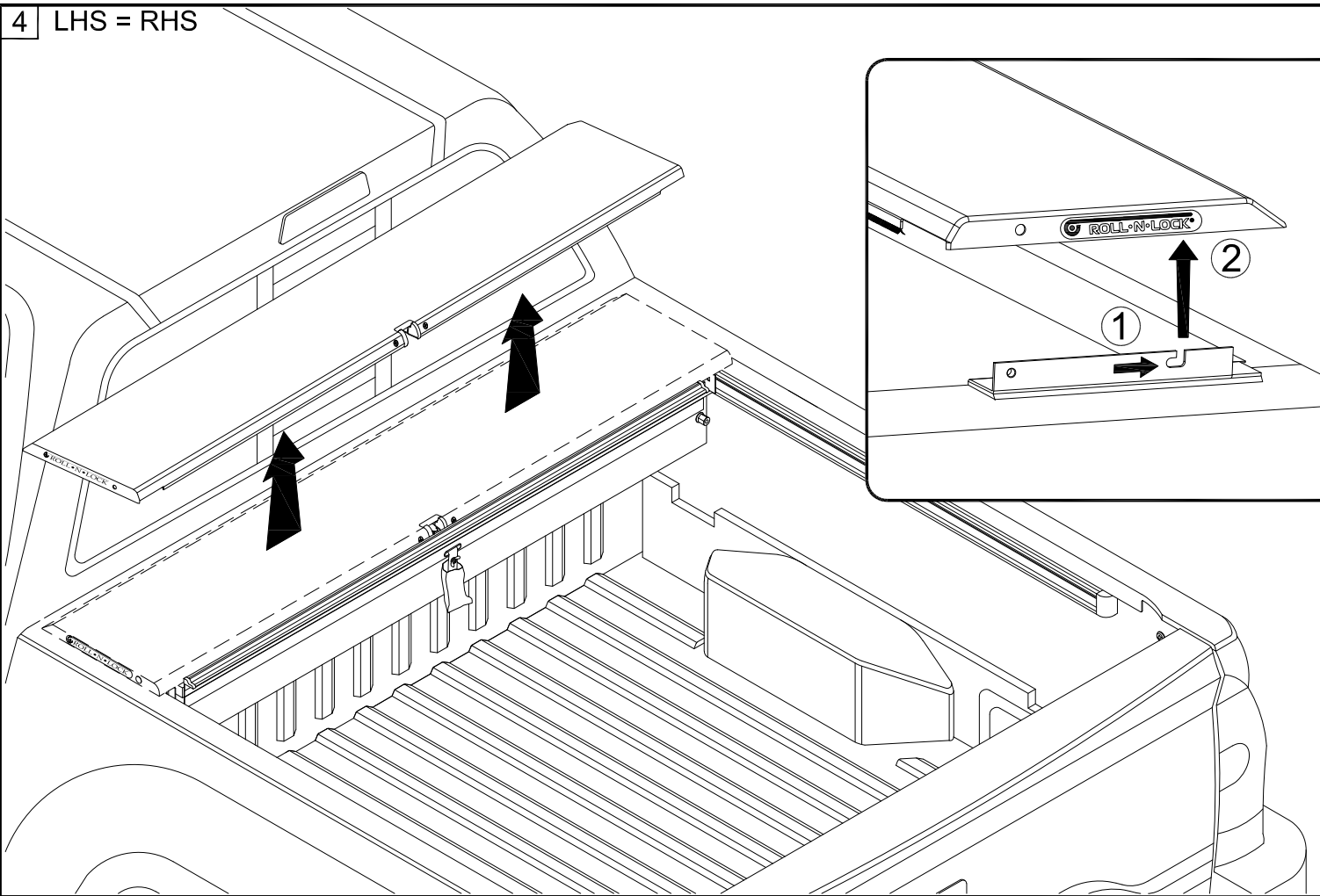
2



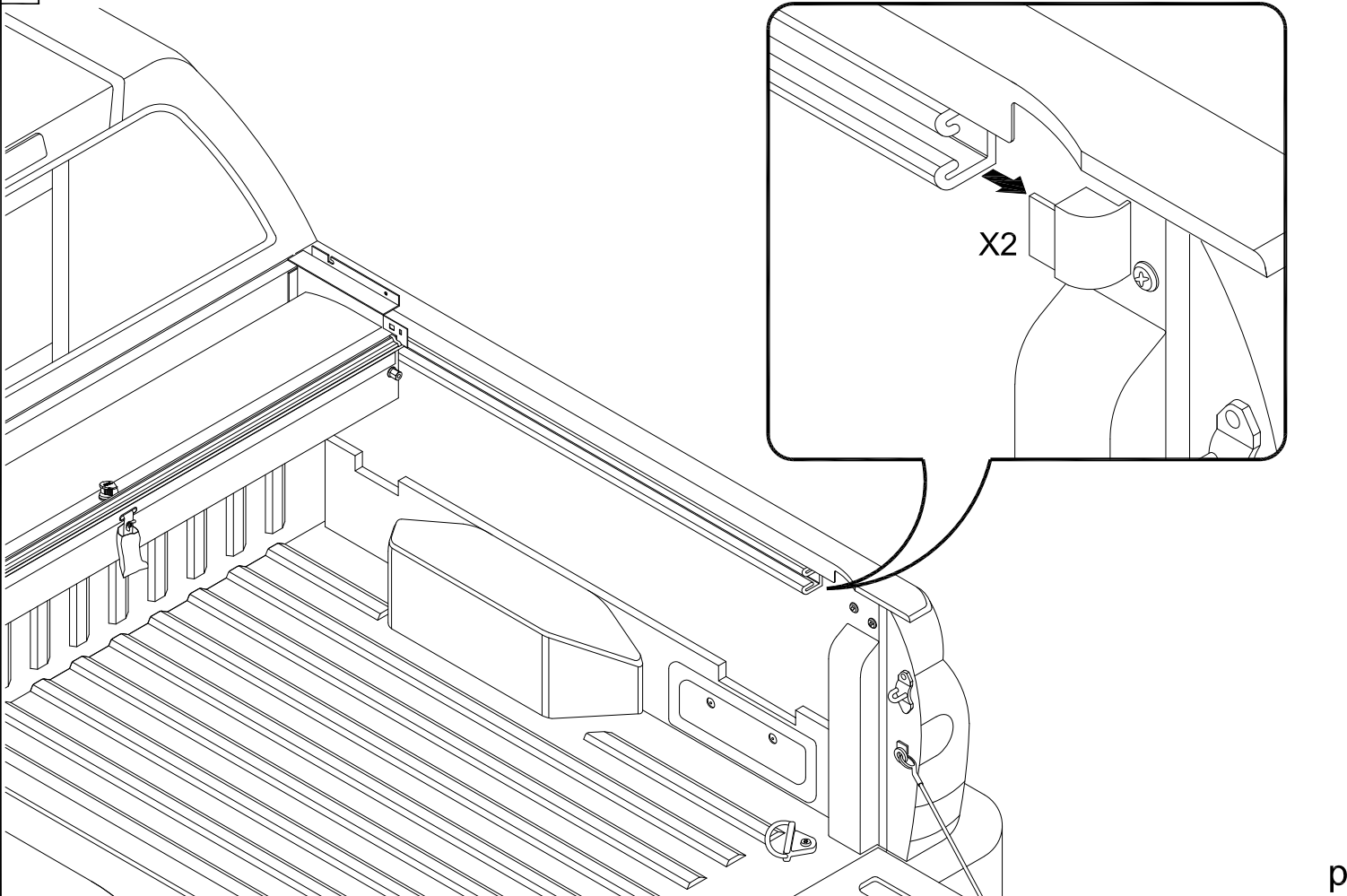
3



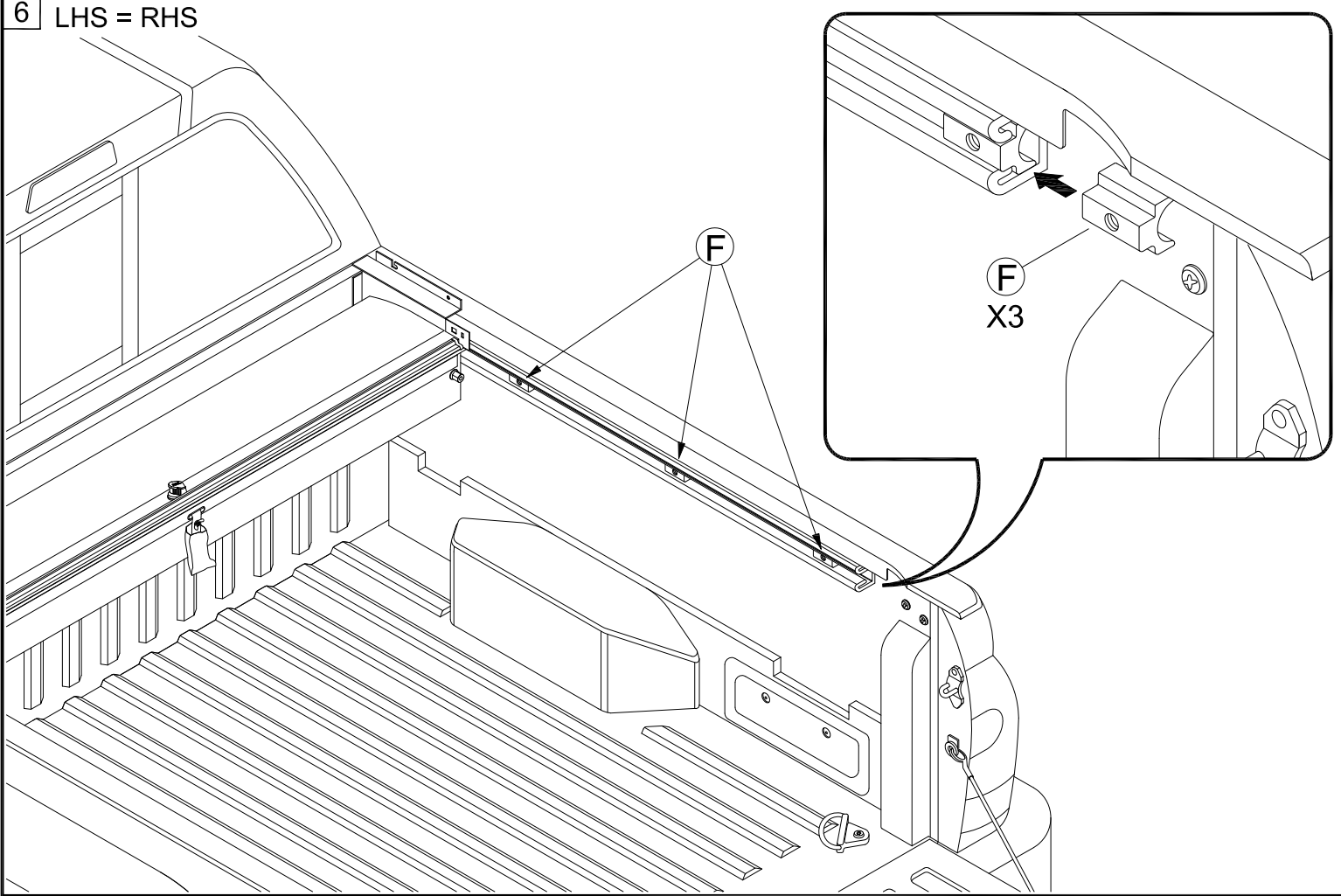
4 LHS = RHS



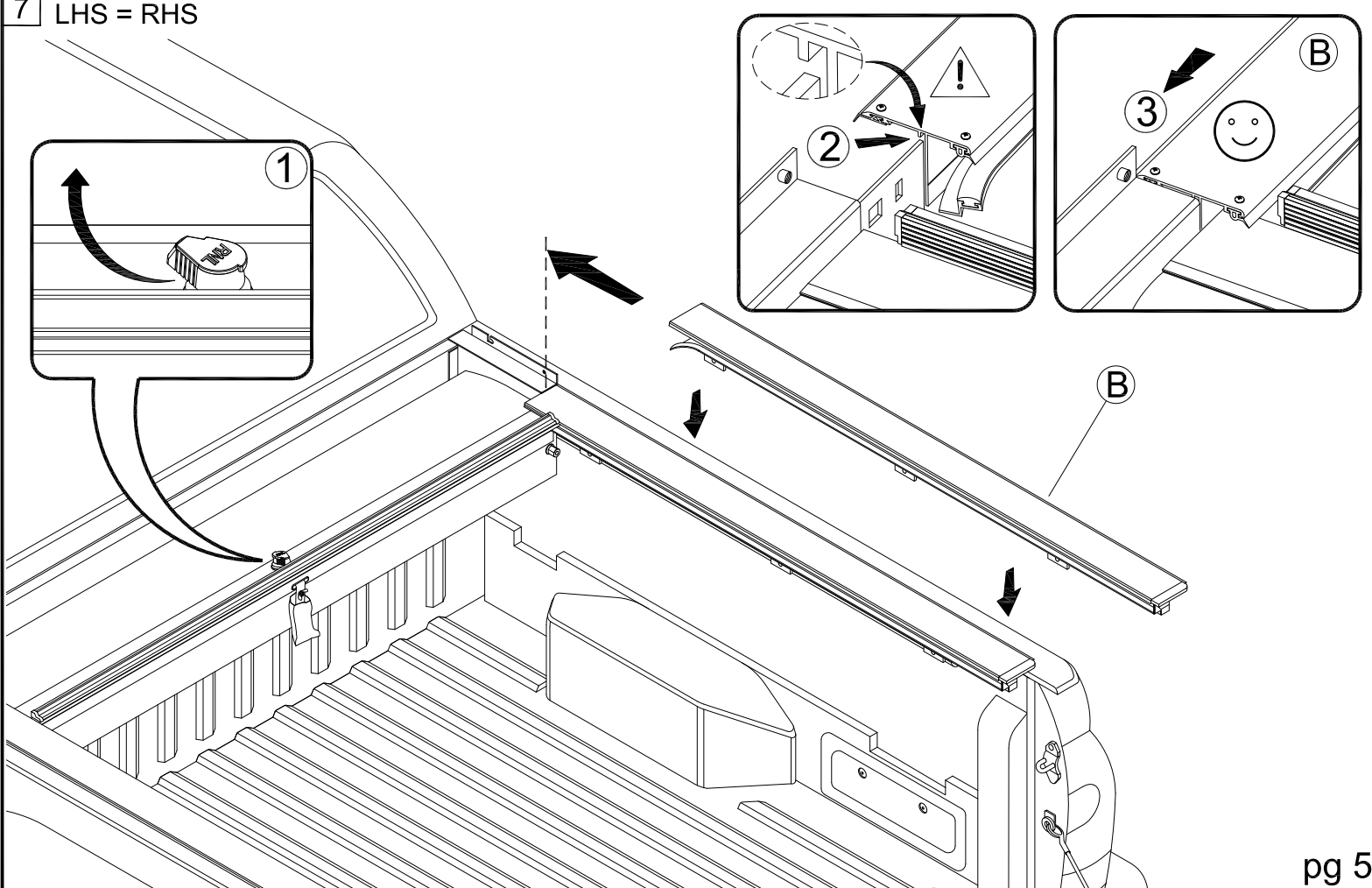
5 LHS = RHS



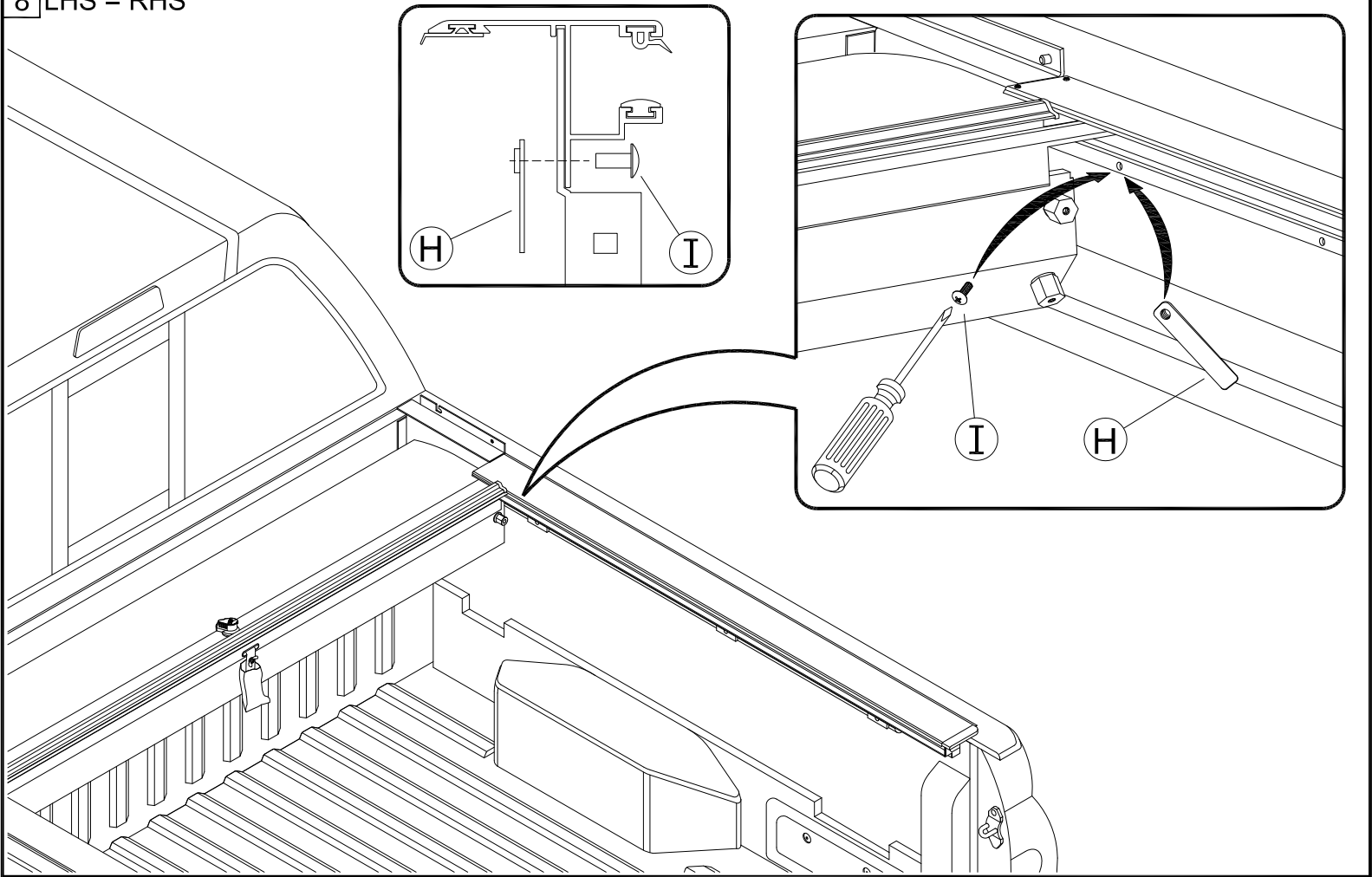
6 LHS = RHS



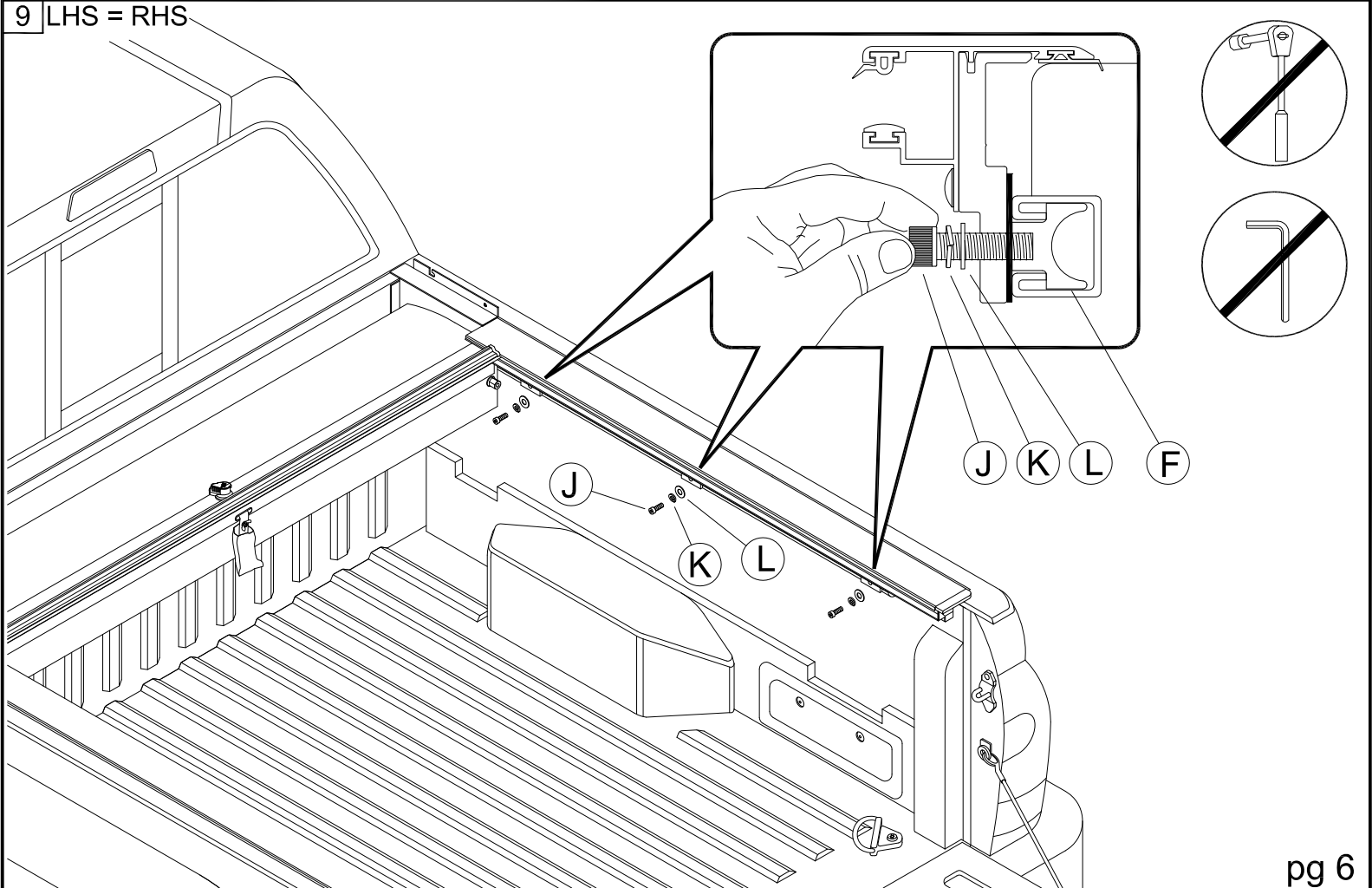
7 LHS = RHS



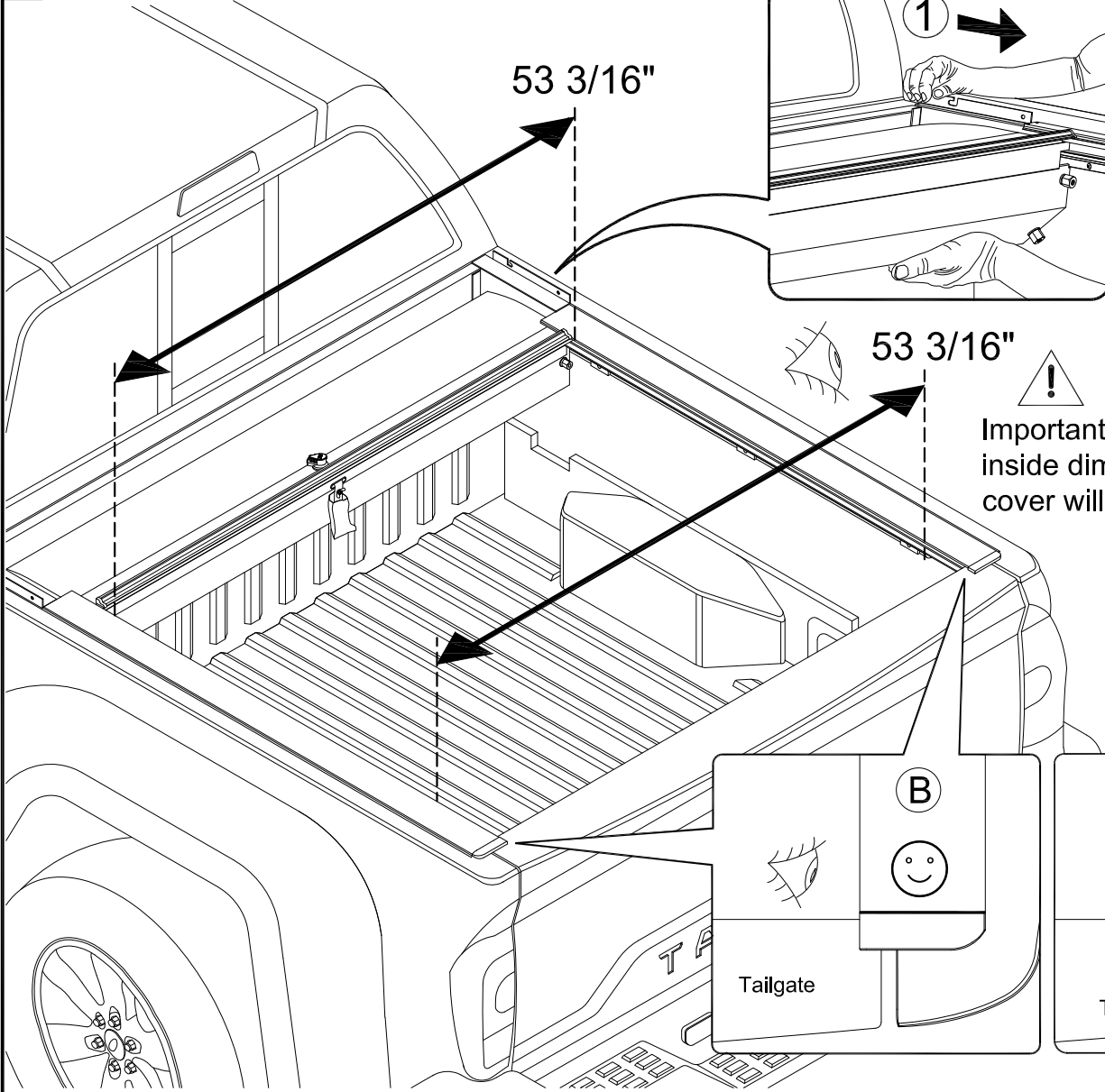
8 LHS = RHS



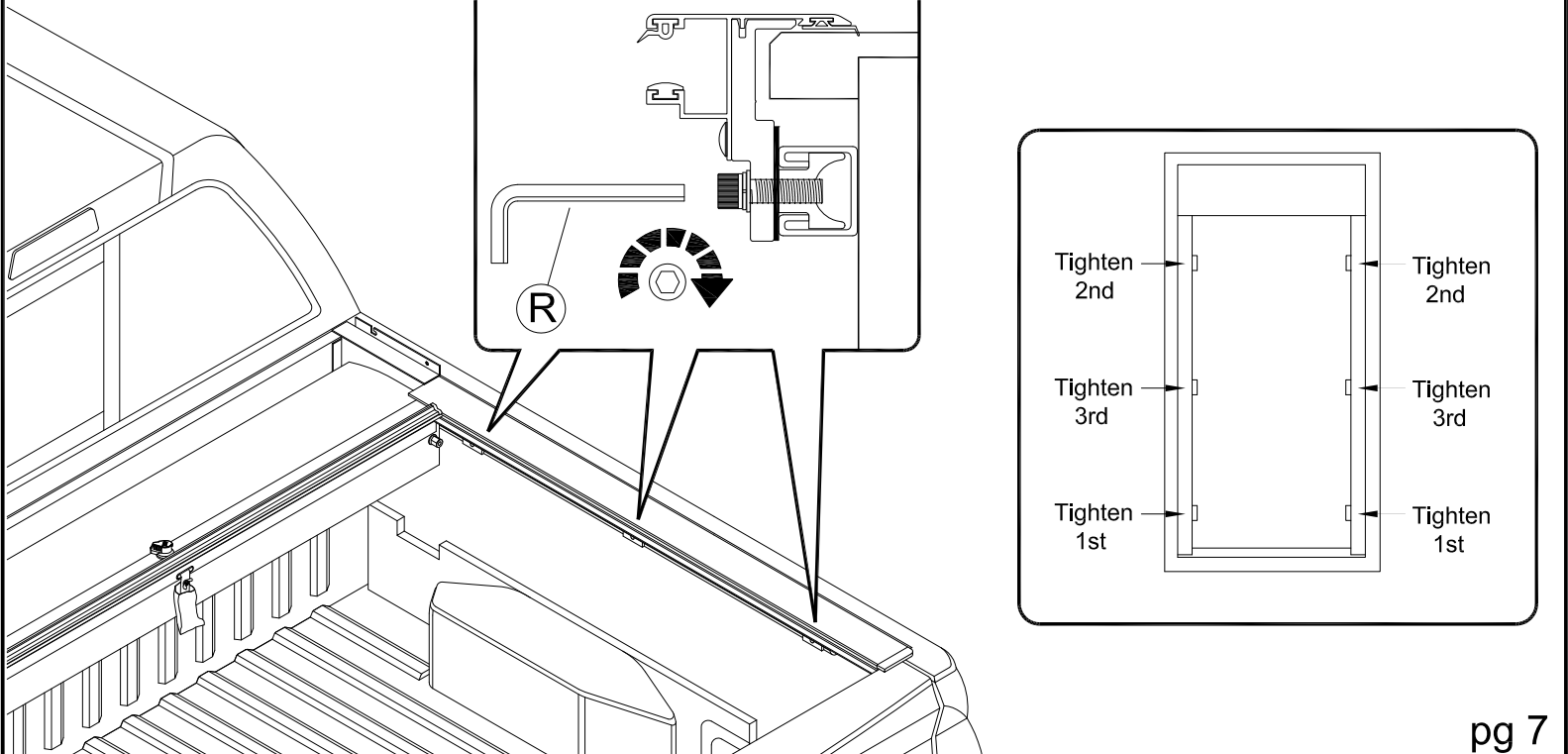
9 LHS = RHS



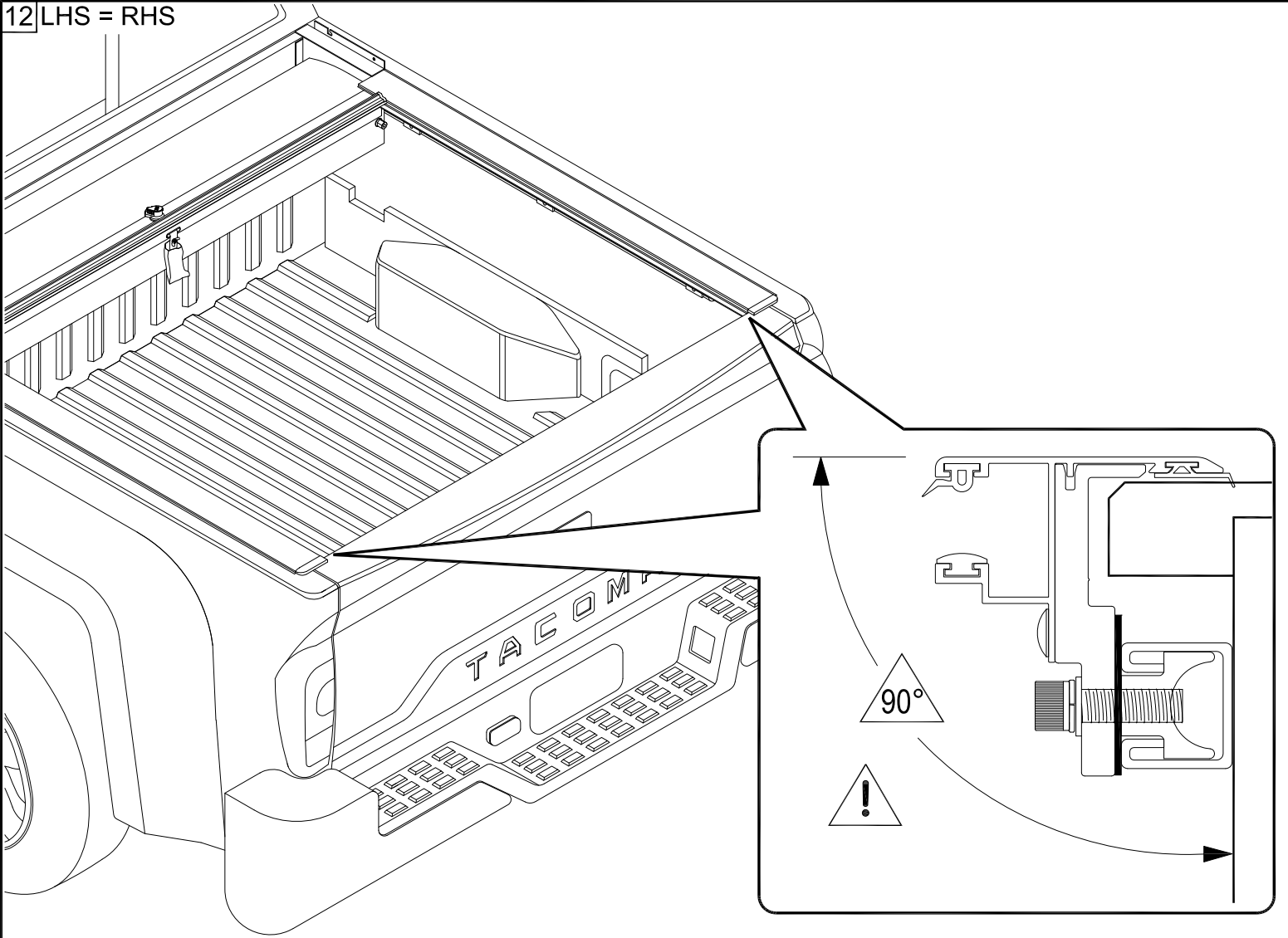
10 LHS = RHS



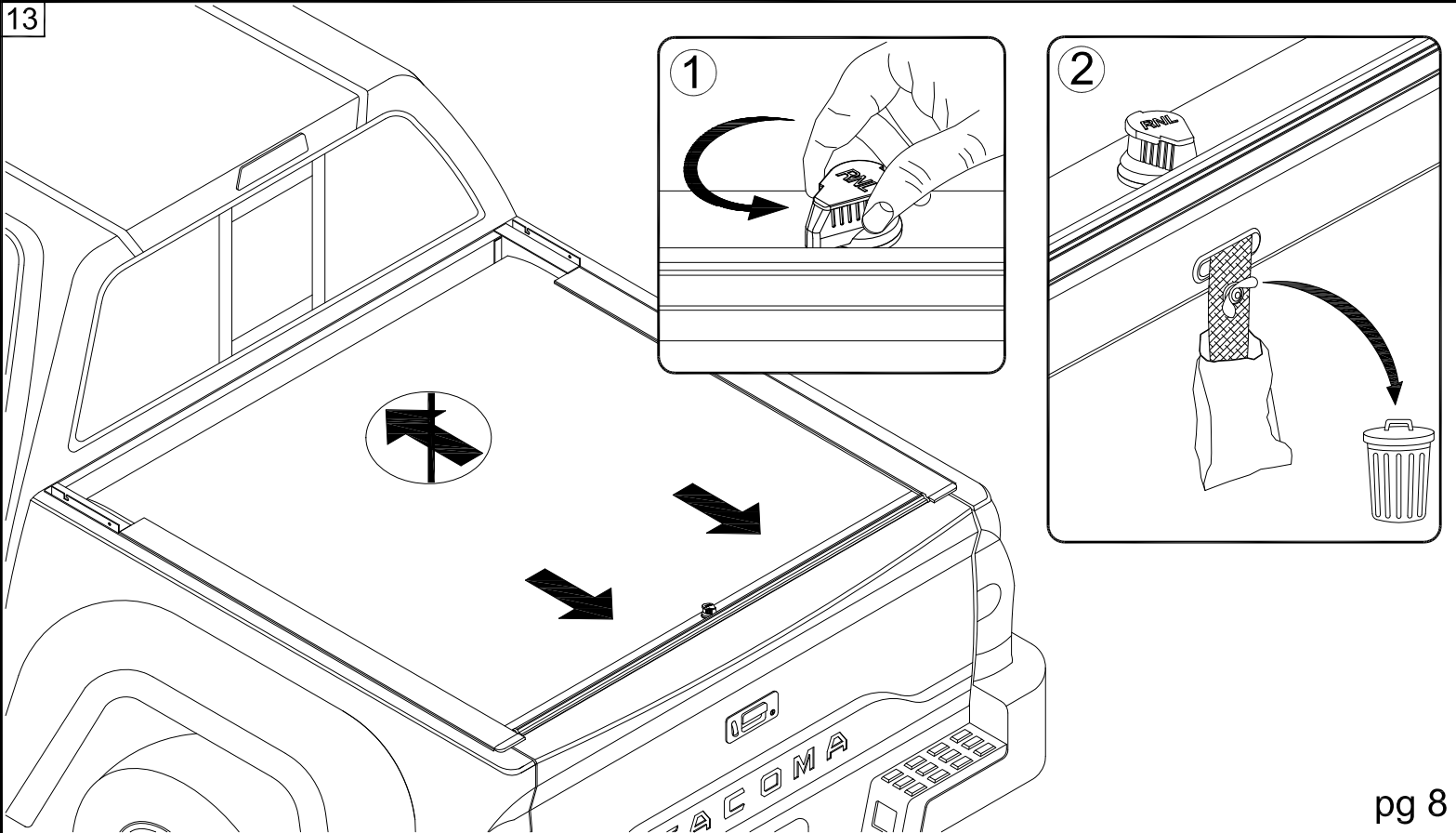
11 LHS = RHS



12 LHS = RHS

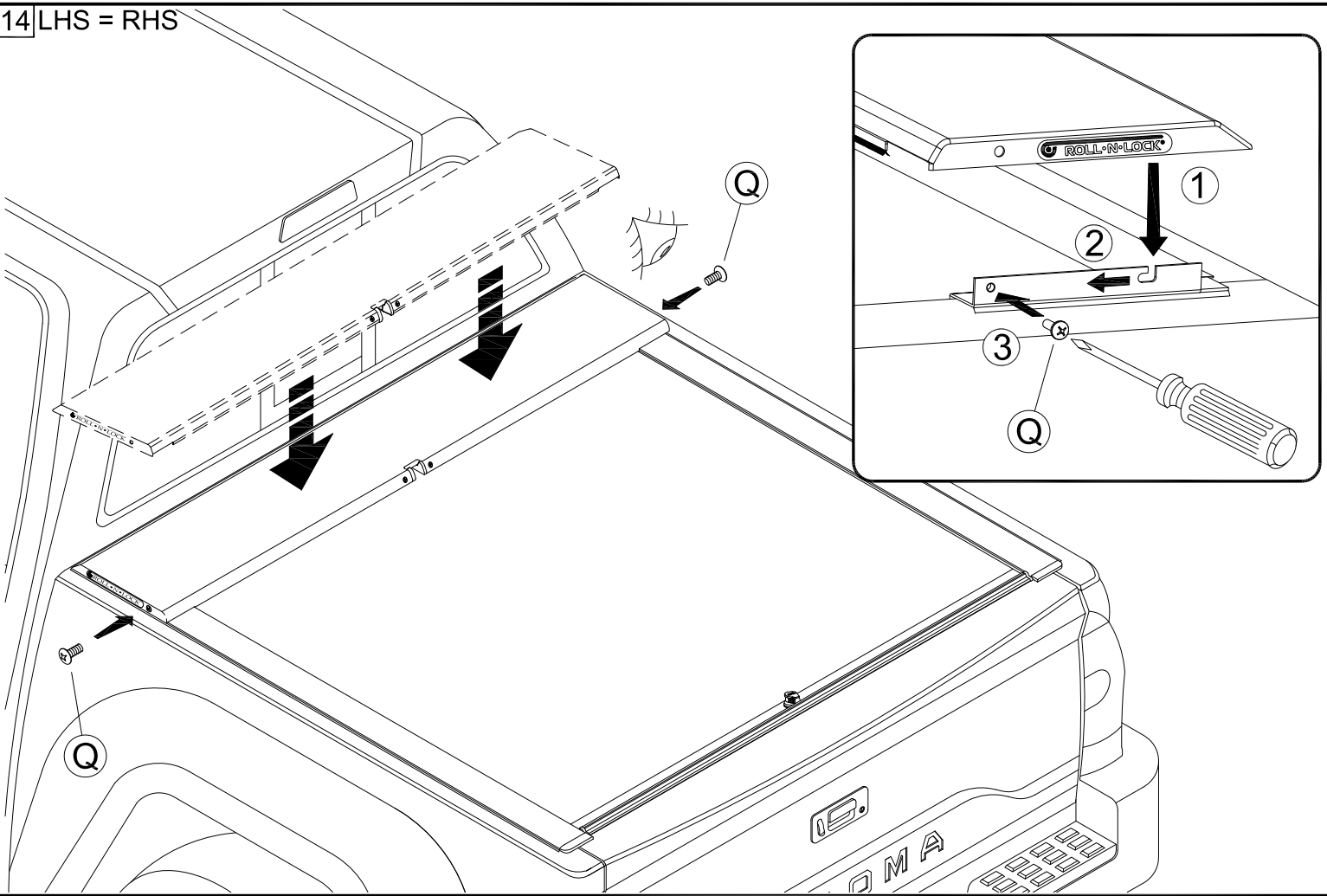


13

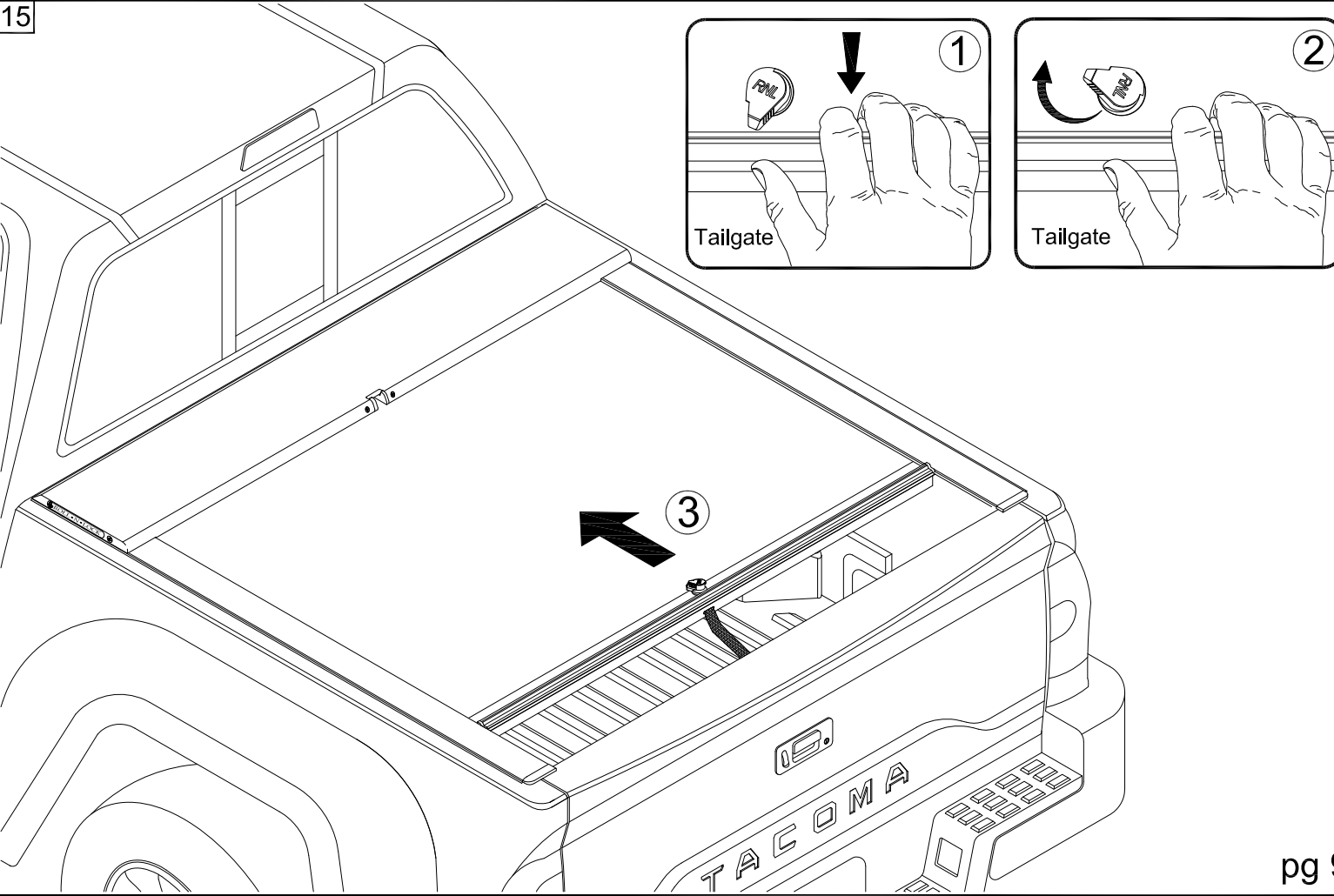




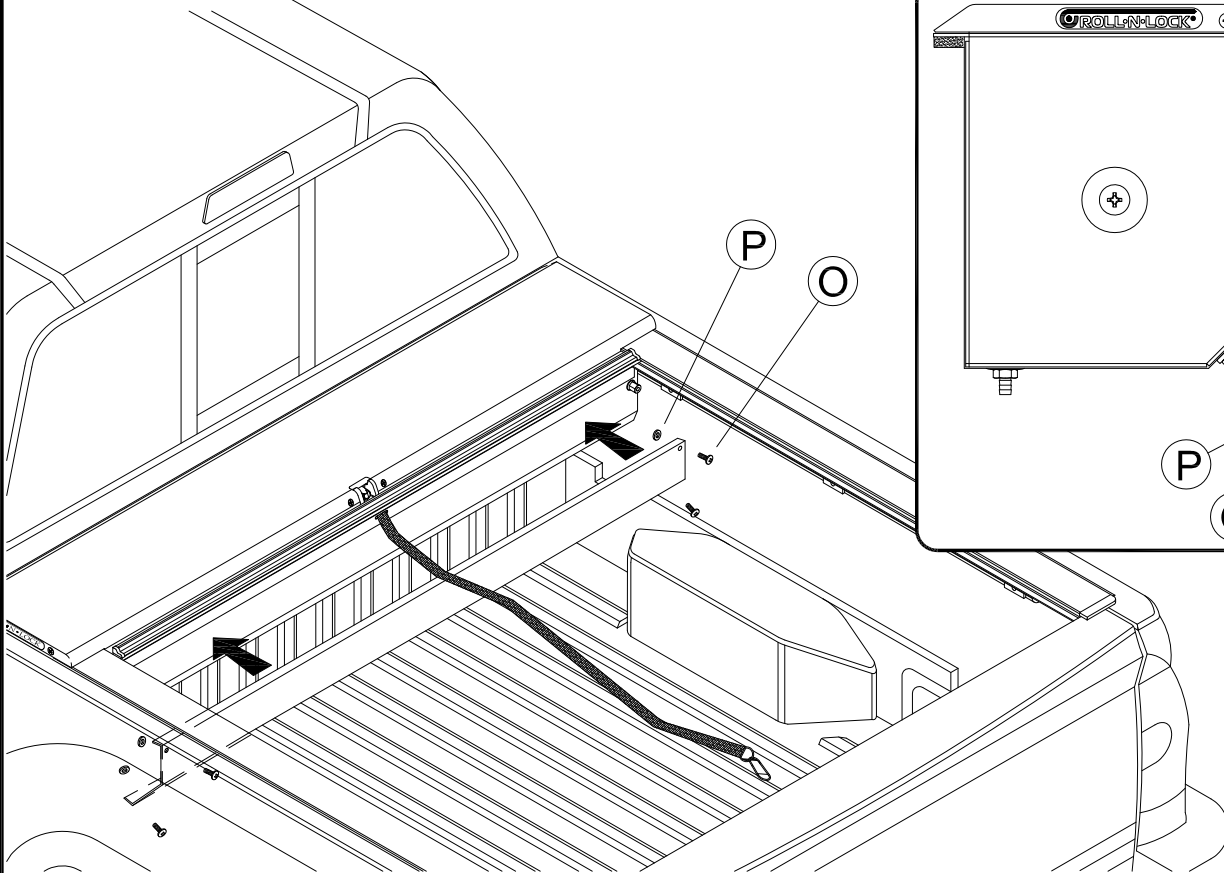
14 LHS = RHS



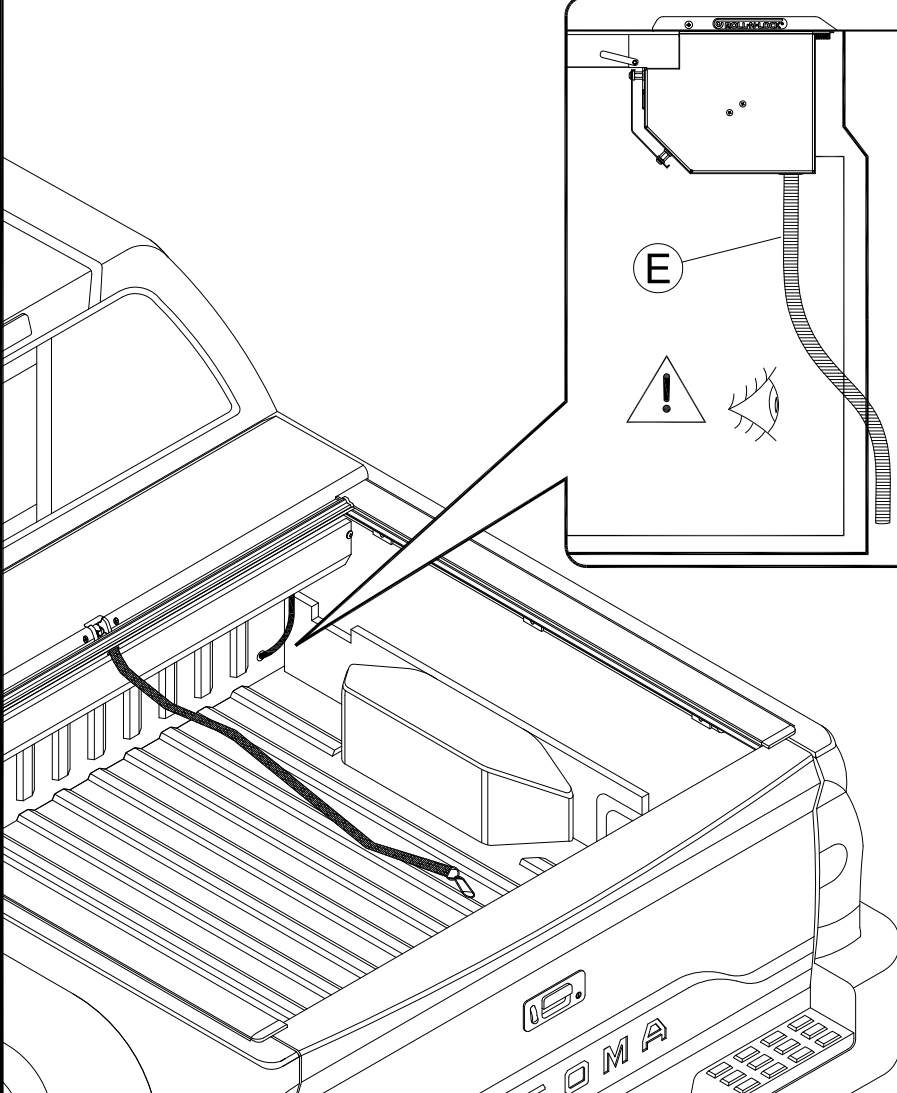
15



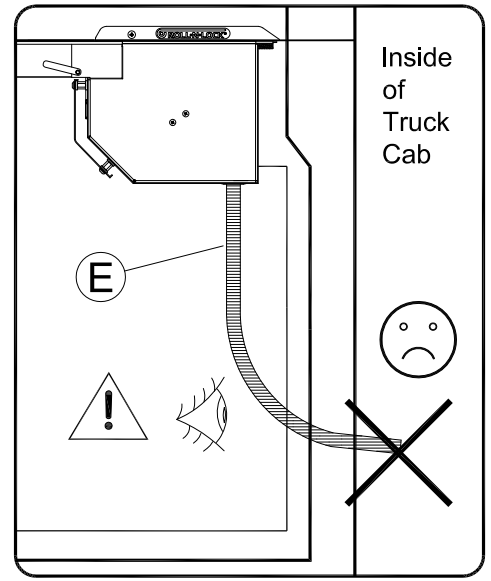
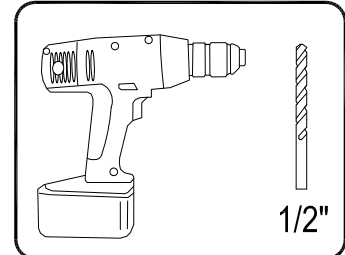
16 LHS = RHS



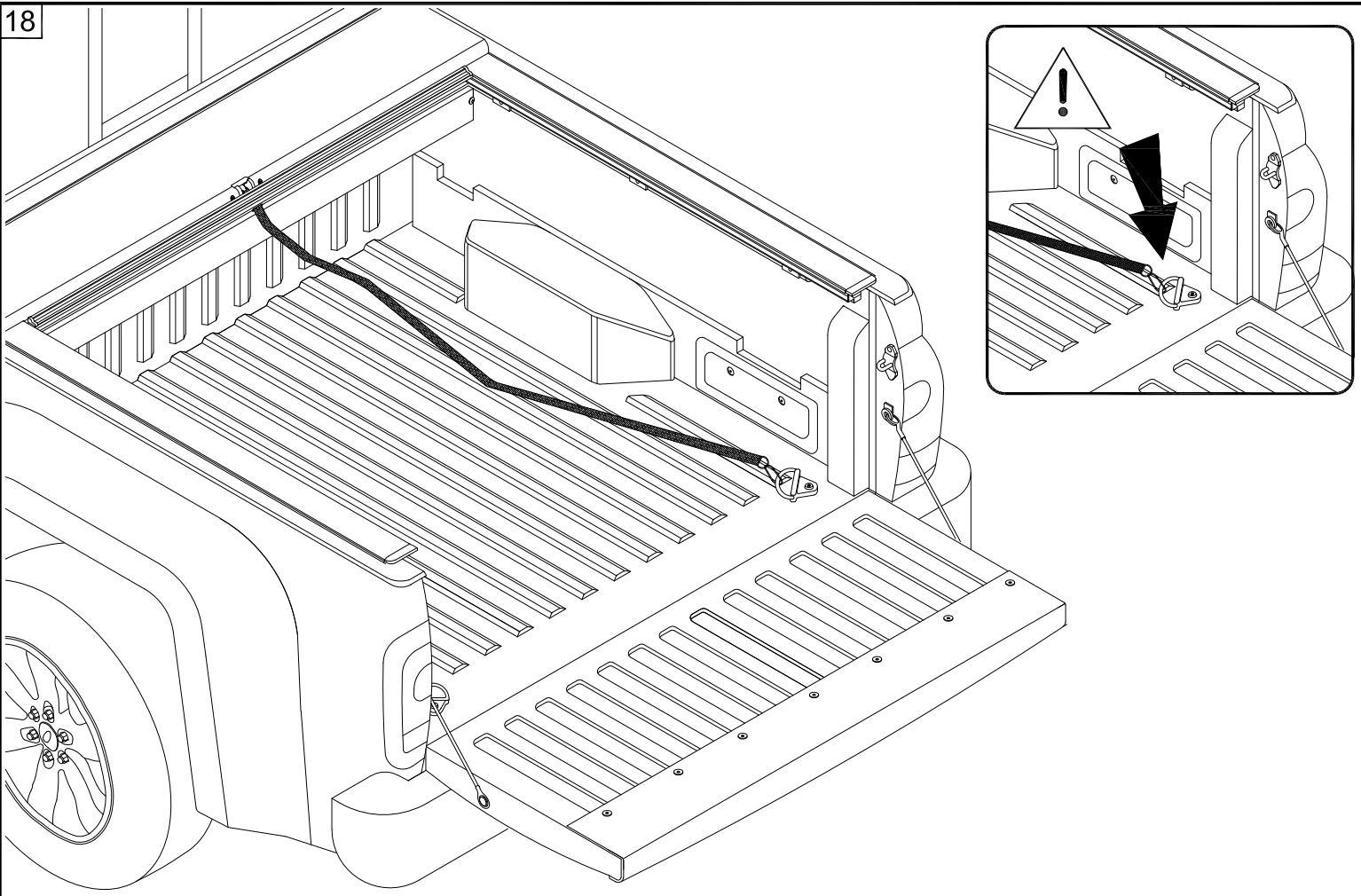
17 LHS = RHS



Inside of Truck Cab



Inside of Truck Cab

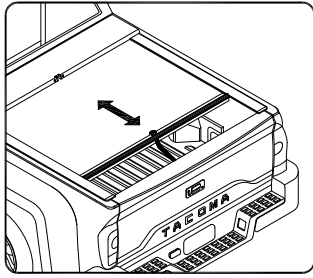


**ROLL-N-LOCK®**

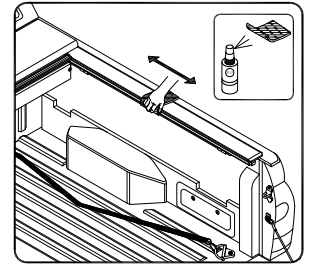
Any questions please call Customer Service at 800-952-7655  
or email [customerservice@rollnlock.com](mailto:customerservice@rollnlock.com)

# Troubleshooting

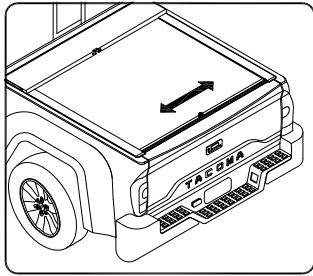
Cover is hard to pull or retract.



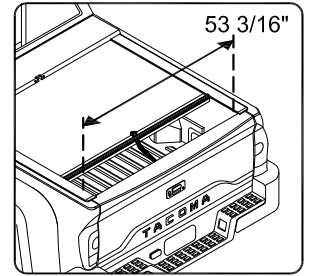
Spray 303<sup>®</sup> on a rag and wipe the top gasket in the Track back and forth.



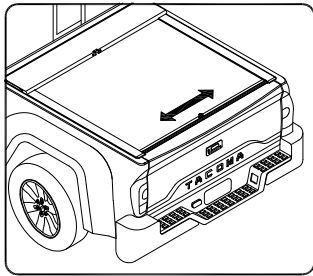
Cover does not latch.



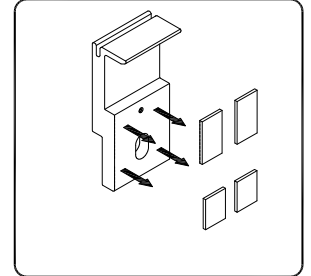
Check Track to Track measurement.  
Make sure Tracks are back against tailgate.



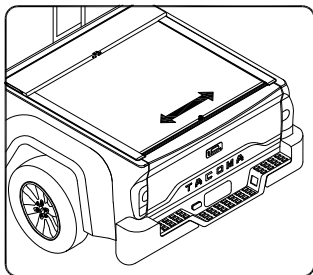
Cover tight from side to side.



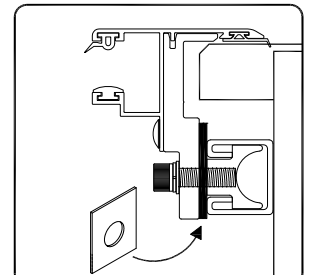
Remove all shims from rear clamp.



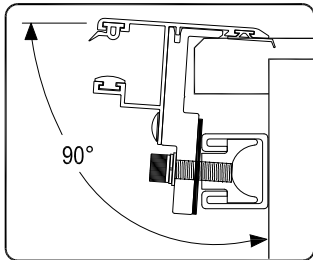
Cover loose from side to side.



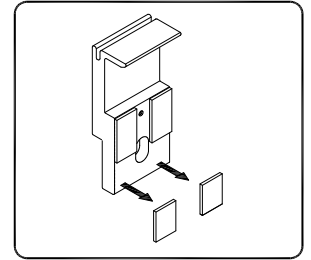
Add supplied shim to rear clamp.



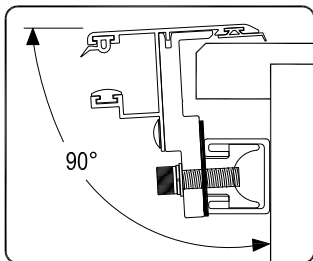
Track tips up.



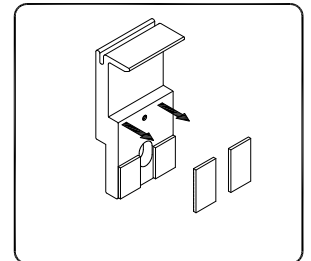
Remove top shims from rear clamps.



Track tips down.



Remove bottom shims from rear clamps.





# 3-YEAR LIMITED WARRANTY\*

**\*5-YEAR LIMITED WARRANTY ON E-SERIES COVERS**

## [www.rollnlock.com/warranty-information](http://www.rollnlock.com/warranty-information)

This limited warranty is extended by ROLL-N-LOCK Corporation, a Florida corporation, with its principal office at 915 S. Dixie Highway, E., Pompano Beach, Florida ("ROLL-N-LOCK"), to the original purchaser of a ROLL-N-LOCK® truck bed cover or cargo management device. ROLL-N-LOCK warrants its products, when purchased directly or from an authorized reseller, to be free from manufacturer's defects for a period of three (3) years from the date of purchase on A and M Series covers -- five (5) years from date of purchase on E-Series covers. During this period, ROLL-N-LOCK, or its authorized dealer, will repair or replace at no expense to the limited warranty holder, any part found to be defective as a result of the manufacturing process, subject to the limitations and exclusions below (See HOW TO MAKE A CLAIM below). Labor charges associated with removing or reinstalling the product and parts are not covered with this warranty. ROLL-N-LOCK warrants only against defects that arise as a result of normal use of the product in normal environmental conditions. ROLL-N-LOCK does not warrant against the following: (a) improper installation, including, but not limited to, installations performed not in accordance with installation instructions and warning labels; (b) extreme environmental conditions, including, but not limited to, temperatures below negative thirty degrees Fahrenheit (-30°F) or above one hundred-twenty degrees Fahrenheit (120°F); (c) water intrusion, including, but not limited to, leaks as a result of normal use; (d) misuse, abuse, modification, tampering or alteration; (e) improper maintenance; (f) operation outside of the product specifications; (g) normal wear and tear, cosmetic damages or fading or deterioration of the finish caused by exposure to sunlight or chemicals and/or other unusual environmental conditions; (h) negligence; or (i) accidents, flood, fire, earthquake or other acts of God. This warranty does not extend in any respect to accessories or parts not produced by ROLL-N-LOCK and shall not extend to any consequential or incidental damages. This warranty is expressly in lieu of all other warranties expressed or implied, including the warranties of merchantability and fitness for a particular purpose and of all other obligations or liabilities on the part of ROLL-N-LOCK. ROLL-N-LOCK neither assumes nor authorizes any other person to assume for it any other liability in connection with the sale of its products. The warranty expires if the product is removed from the original vehicle or if the original vehicle is transferred to another owner. The warranty is not transferable from the original purchaser. Some states do not allow the exclusion or limitation of incidental or consequential damages, or limits on implied warranties, therefore the above limitations may not apply to you. This warranty gives you specific legal rights and you may also have other rights which vary from state to state. ROLL-N-LOCK does not warrant any products purchased from unauthorized resellers or any products whose serial number has been removed or defaced. For a complete list of ROLL-N-LOCK authorized dealers, please visit ROLL-N-LOCK's website at <http://rollnlock.com> and click on the "Find a Dealer" tab.

## HOW TO MAKE A CLAIM

For products purchased from a brick and mortar dealer, the party claiming must notify the dealer from whom the product was purchased of the defect or malfunction. The dealer will inspect the product and consult ROLL-N-LOCK to be covered by its warranty. ROLL-N-LOCK will send, at no cost to the warranty holder (including freight expense within the continental U.S.A.), the replacement part or parts necessary to correct the defect. If the problem is determined to be caused by improper installation by the dealer, the dealer will, in accordance with his obligation to adhere to ROLL-N-LOCK's authorized dealer warranty policy, immediately rectify the problem. For products purchased from ROLL-N-LOCK directly, a ROLL-N-LOCK internet dealer or any other authorized outlet that excluded the service of installation, and the warranty holder performed the installation on a do-it-yourself basis, the warranty holder may, at ROLL-N-LOCK's option, be required to return the defective parts, properly packaged and at the warranty holder's expense, to ROLL-N-LOCK's warranty department at the address below. The warranty holder should include a product I.D. number and a brief description of the problem. If the part or parts are found to be defective, the replacement part or parts will be immediately returned to the warranty holder at ROLL-N-LOCK's expense (limited to the continental U.S.A.). If the warranty holder requires assistance, he may call ROLL-N-LOCK directly at 1-800-952-7655. ROLL-N-LOCK maintains the highest possible standards of manufacturing and quality control. Accordingly, it expects its dealers to adhere to a similar standard when installing its products and upholding this warranty. If you believe you have a defective ROLL-N-LOCK product and encounter any difficulty obtaining satisfaction, please contact ROLL-N-LOCK customer service by telephone at 1-800-952-7655 or by email at [info@rollnlock.com](mailto:info@rollnlock.com).