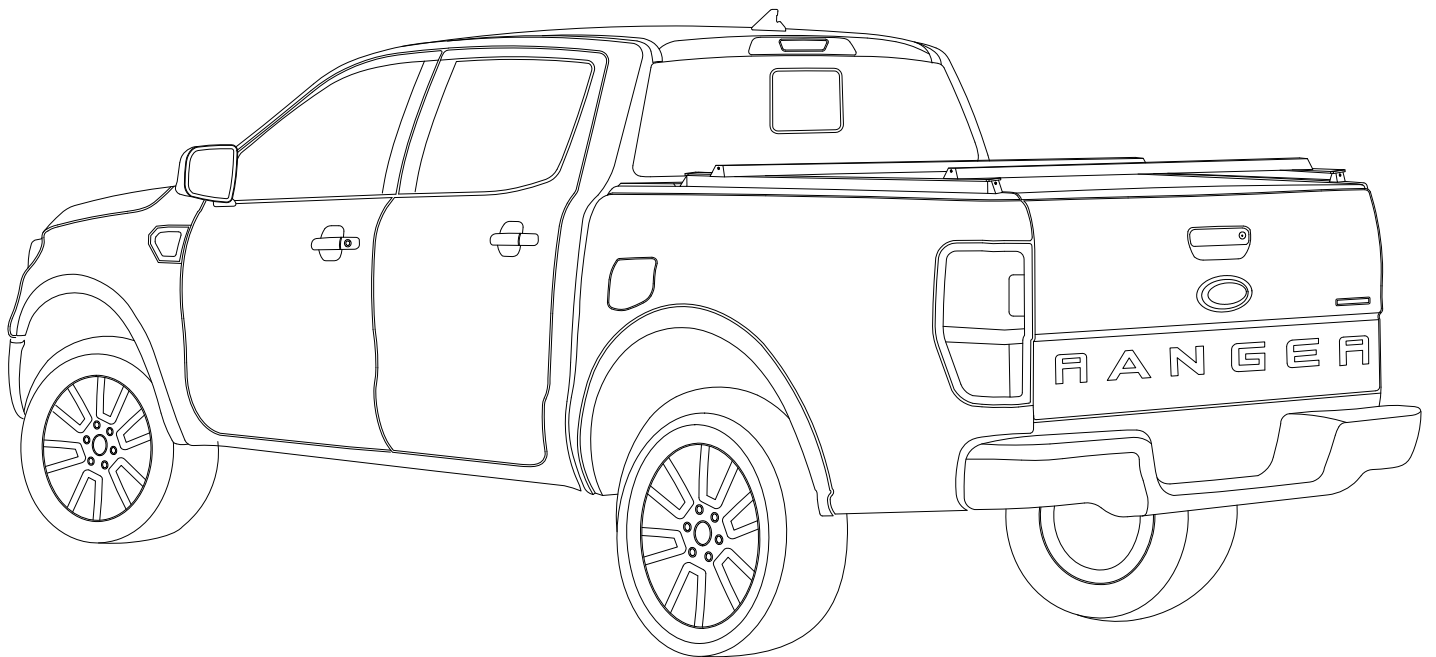




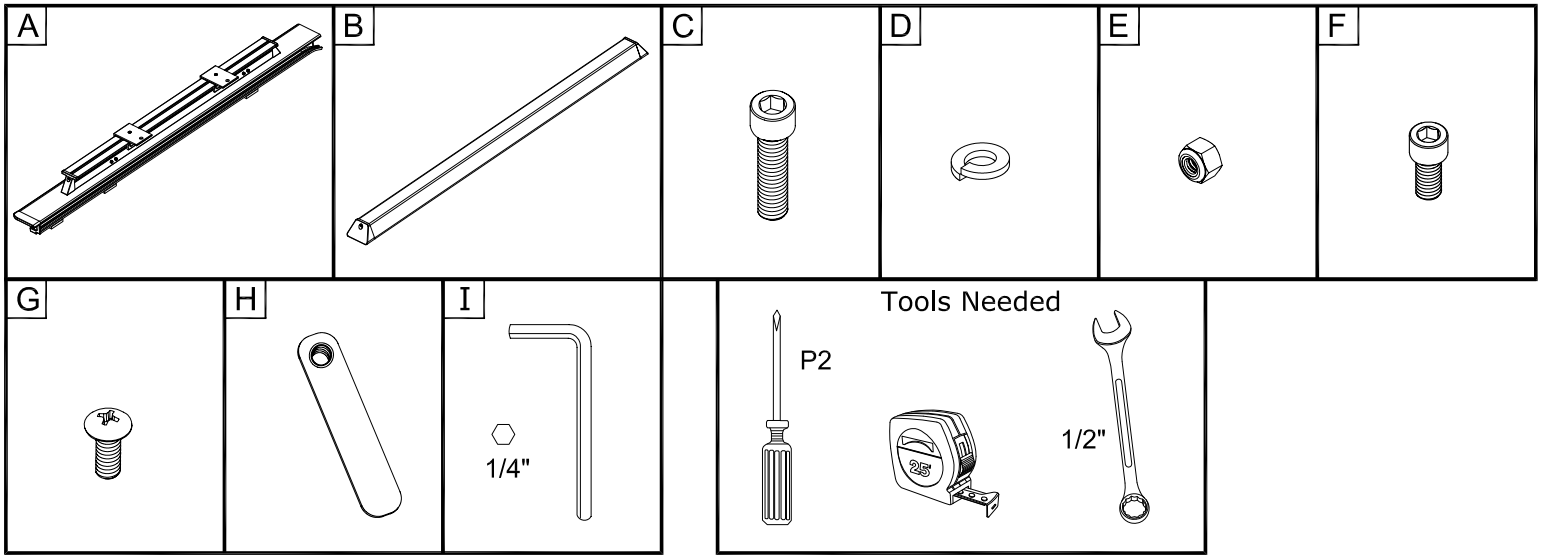
QwikRak Installation Guide

2019 Ford Ranger

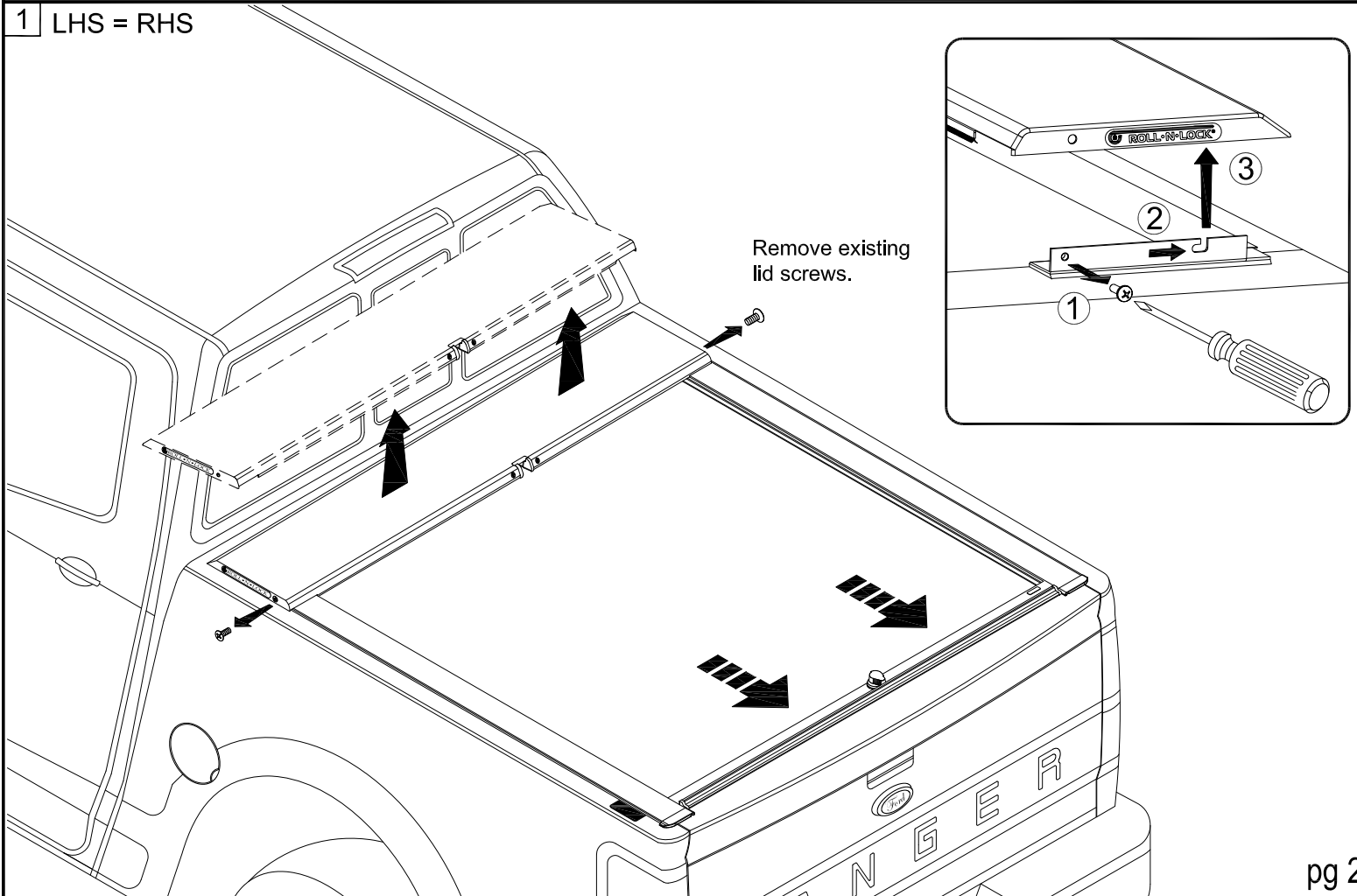


Product Code
QR122 - QR123

Item	Part Name	Qty.	Item	Part Name	Qty.	Item	Part Name	Qty.
A	Qwikrak Track	2	D	5/16" Lock Washer	6	G	#10-24 X 3/8" Screw	2
B	Cross Bar	2	E	5/16" Nylon Lock Nut	4	H	Cargo Nut	2
C	5/16"-18 x 1" Socket Cap Screw	6	F	5/16" x 3/4" Socket Cap Screw	4	I	1/4" Allen Wrench	1

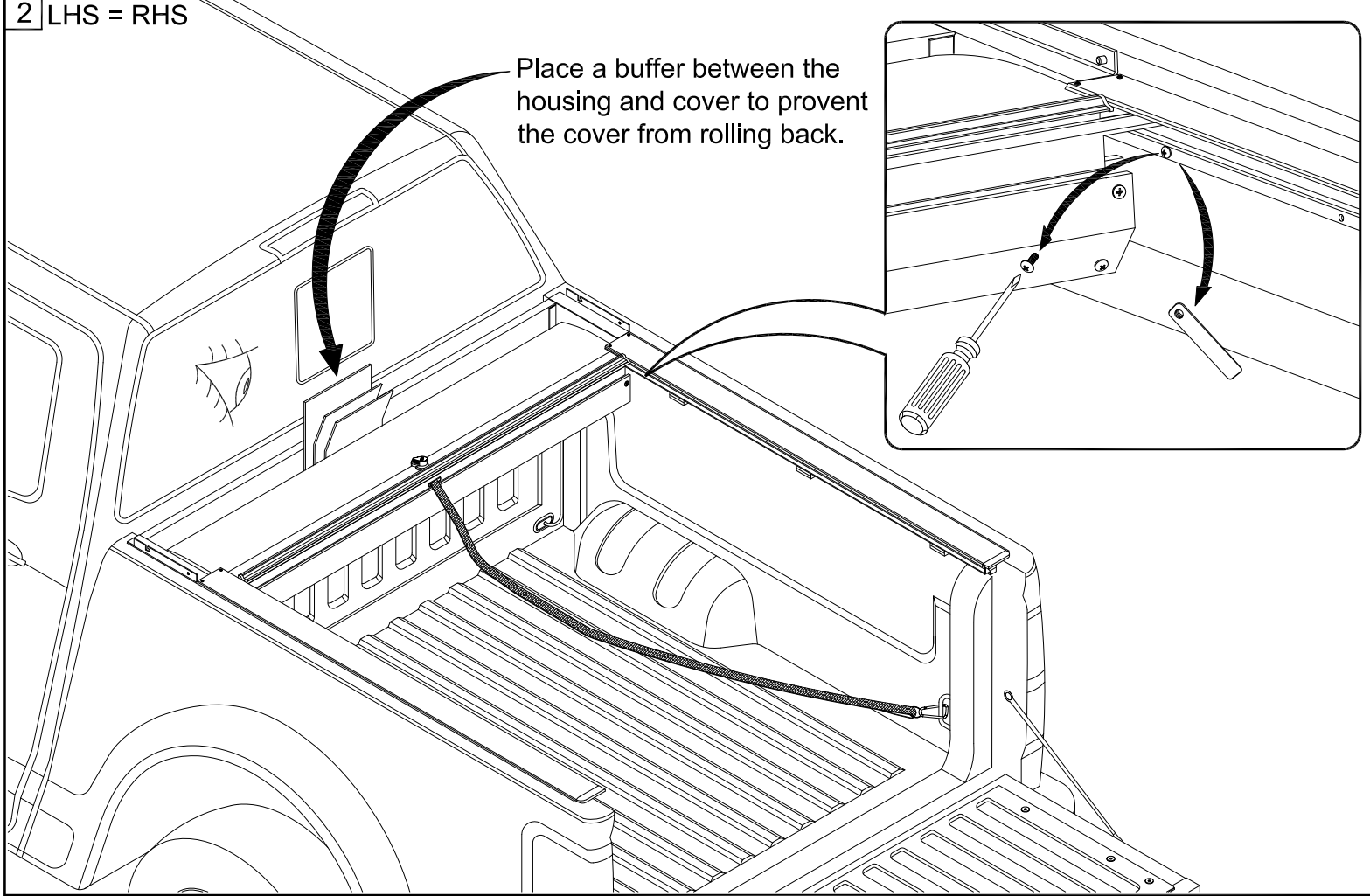


1 LHS = RHS



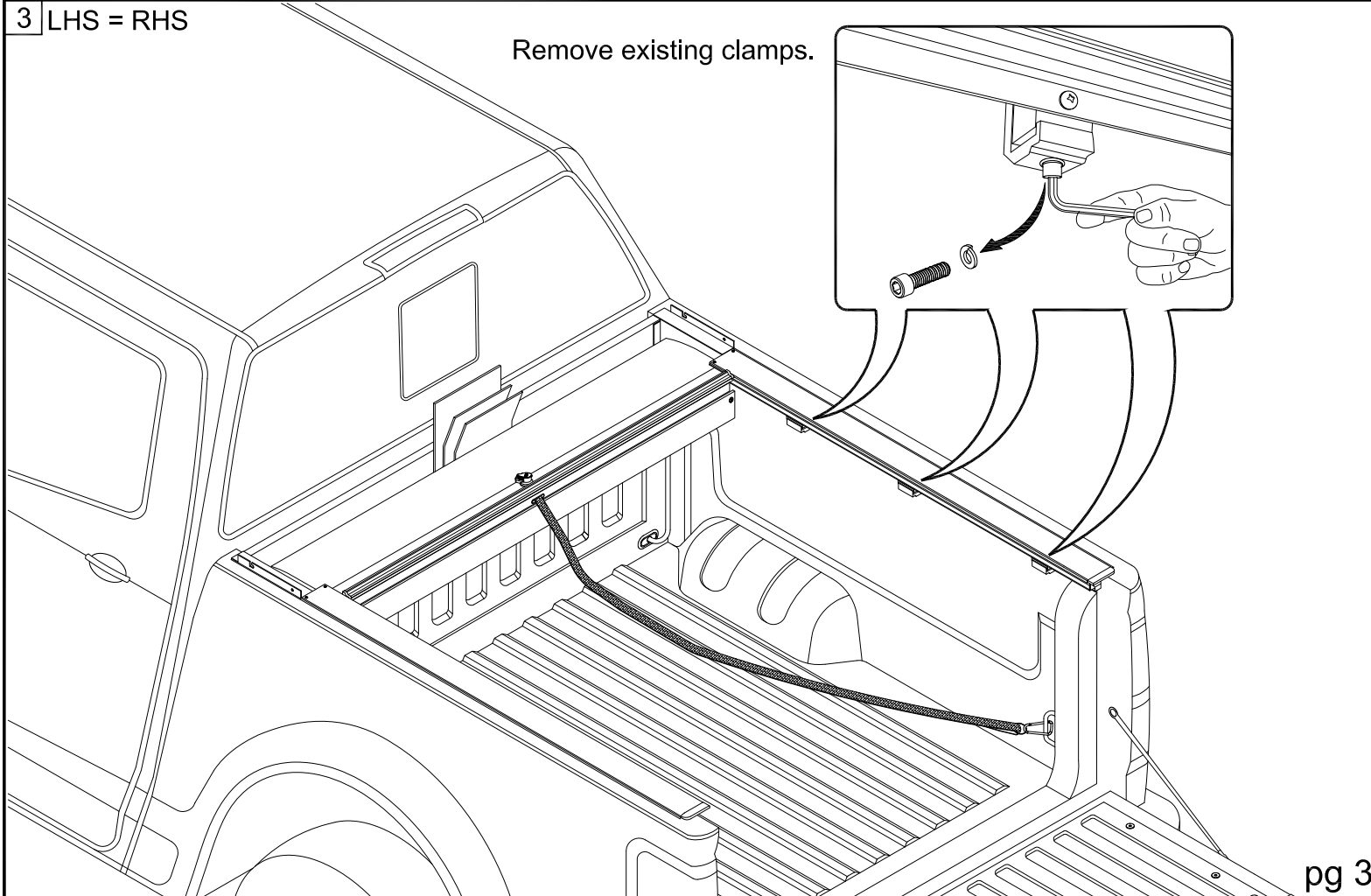
2 LHS = RHS

Place a buffer between the housing and cover to prevent the cover from rolling back.



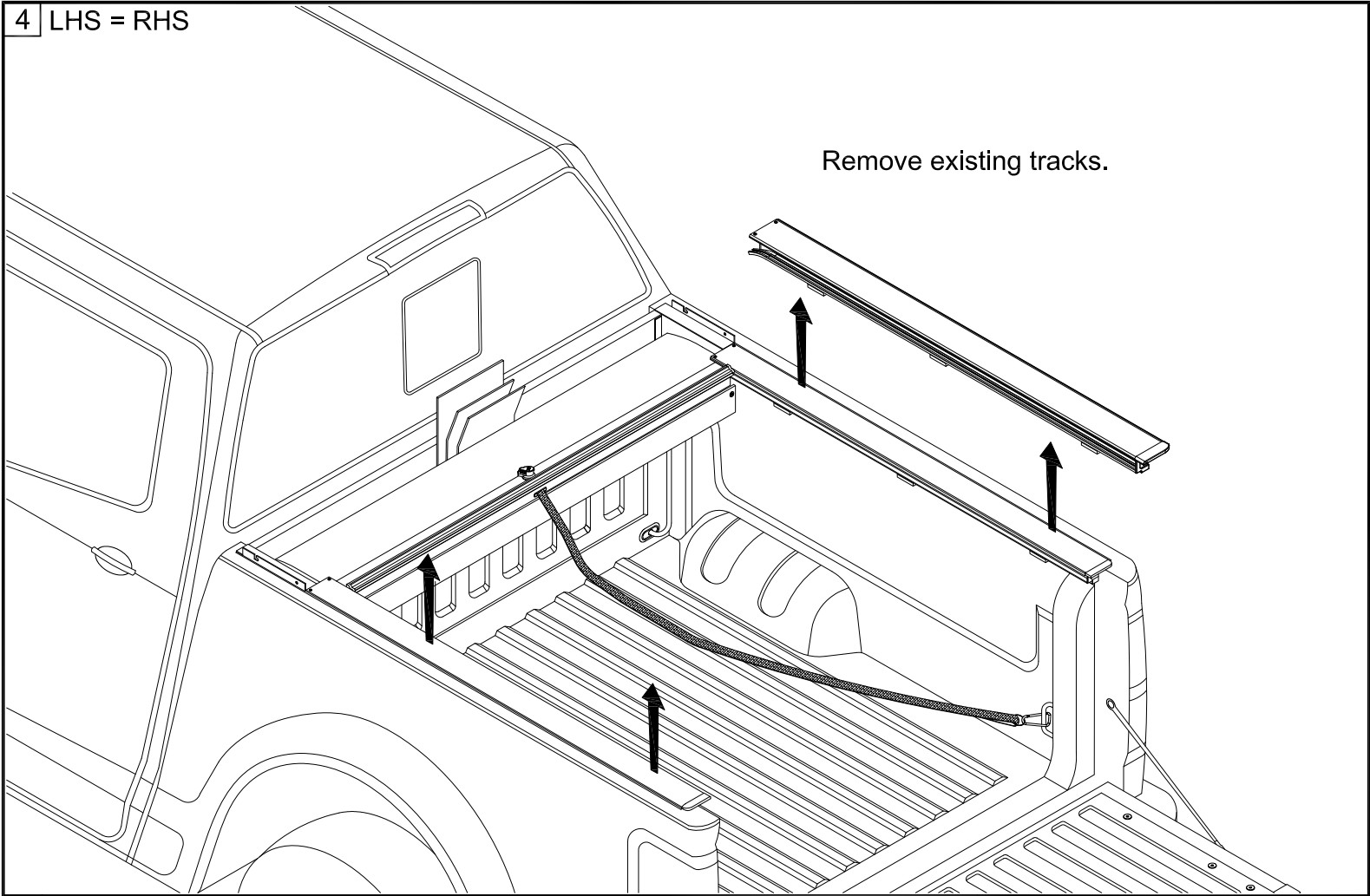
3 LHS = RHS

Remove existing clamps.



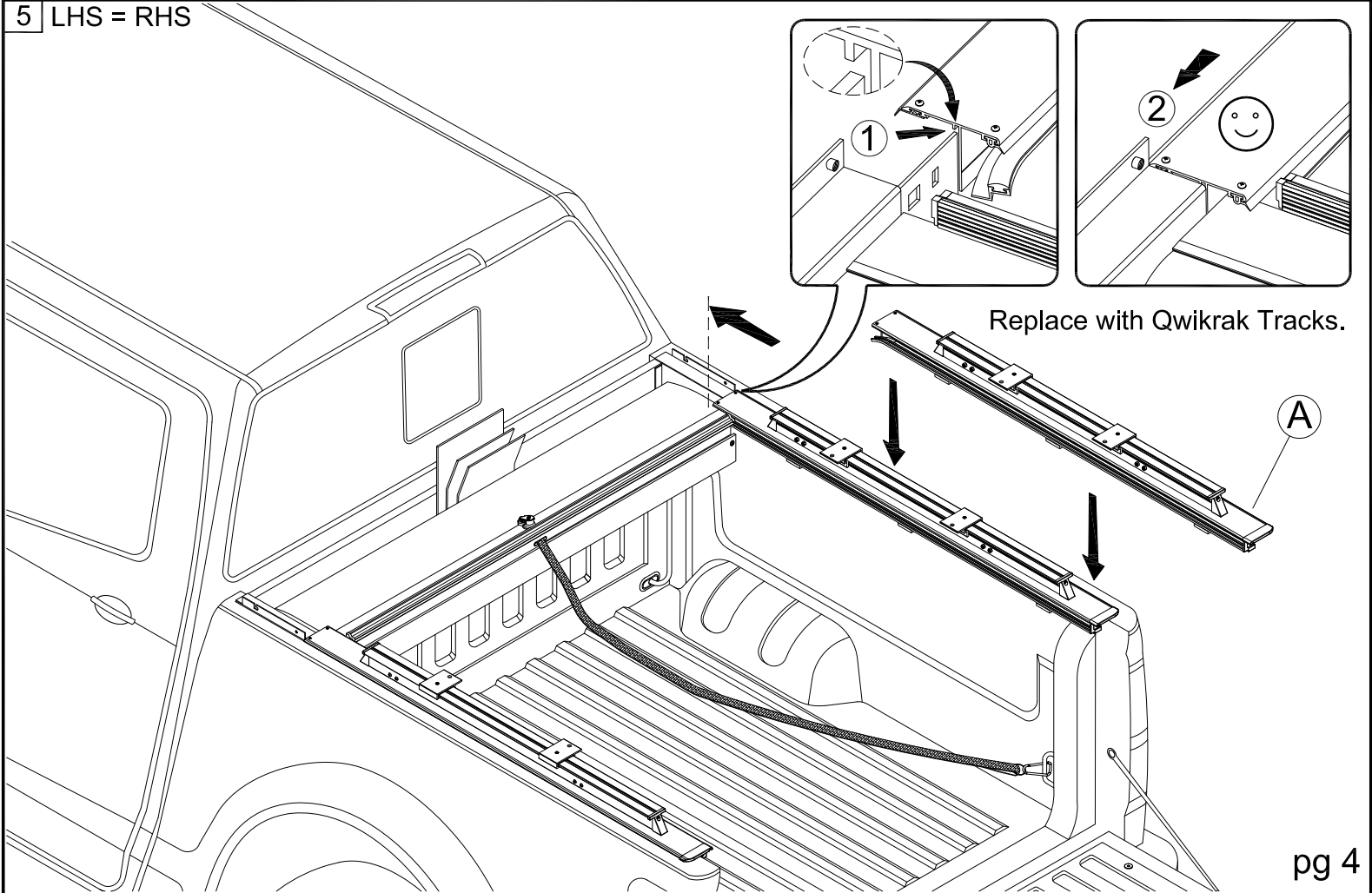
4 LHS = RHS

Remove existing tracks.



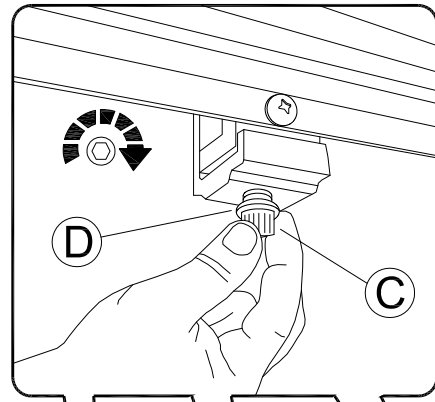
5 LHS = RHS

Replace with Qwikrak Tracks.



6 LHS = RHS

Use new hardware.

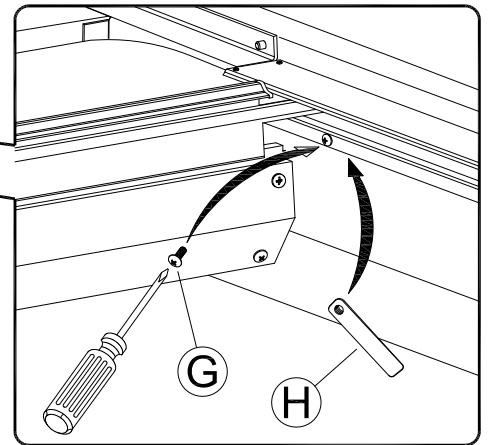


Use existing clamps.

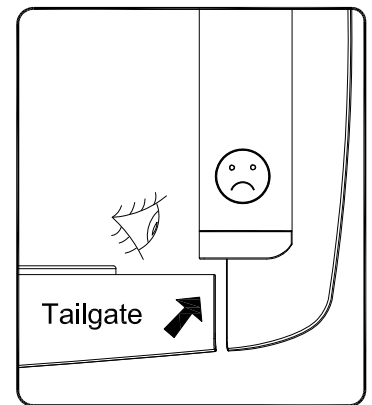
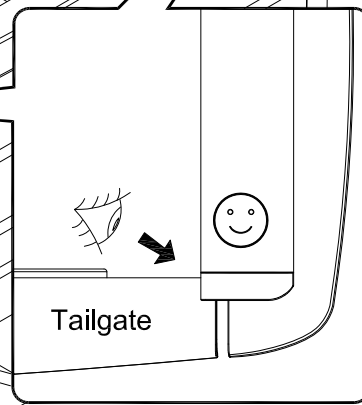
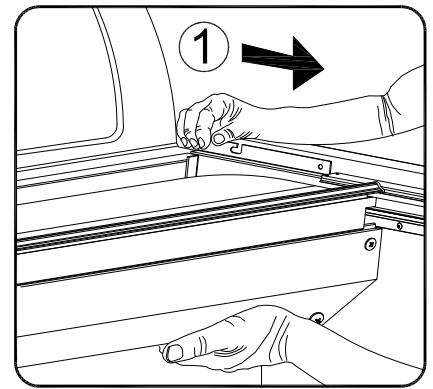
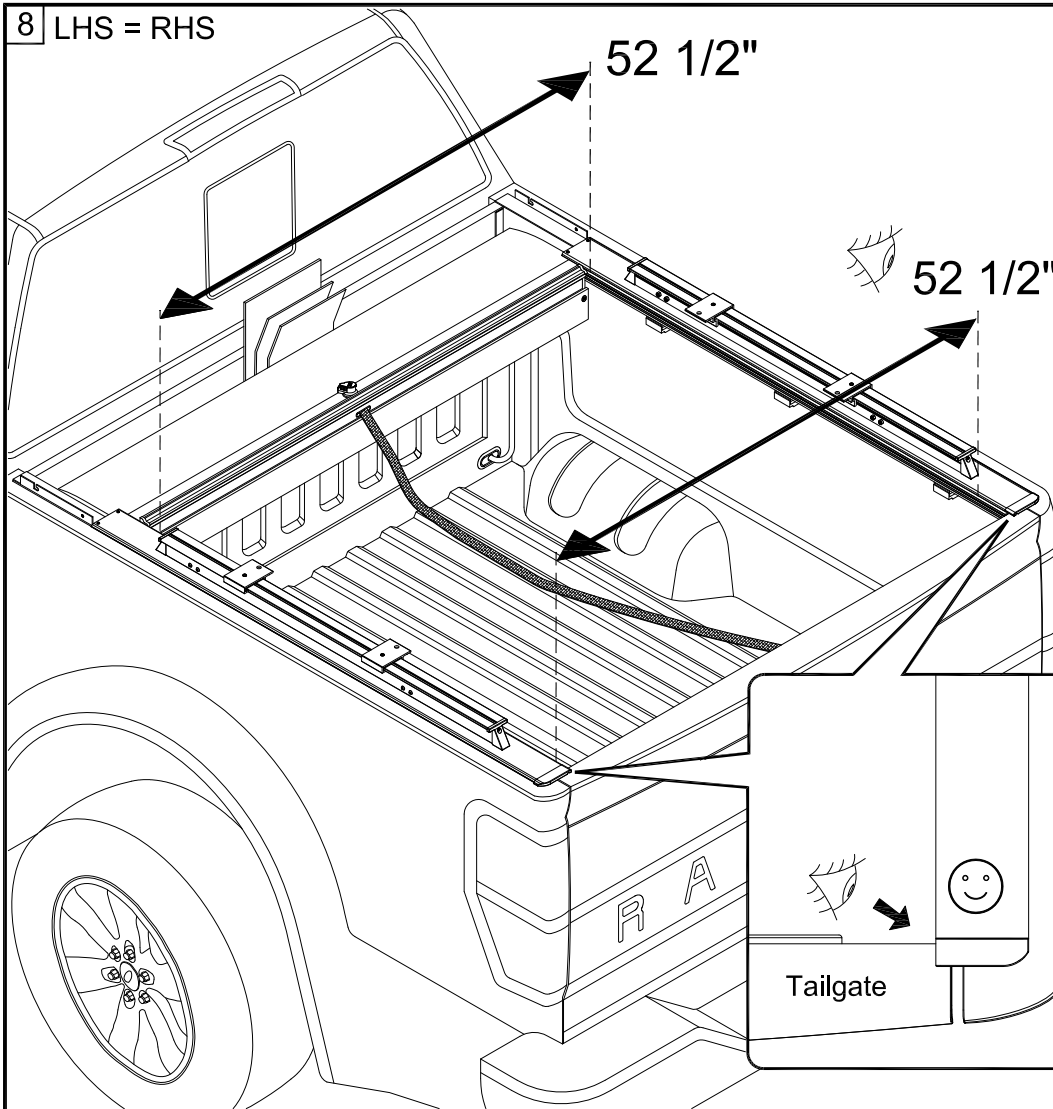


7 LHS = RHS

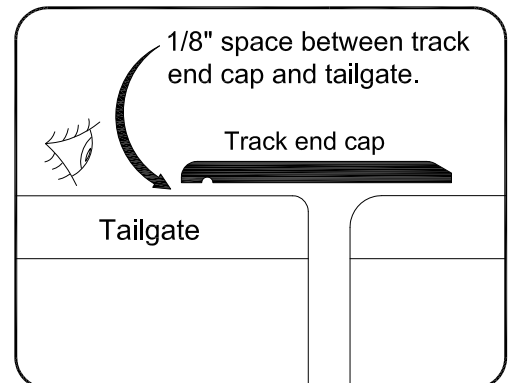
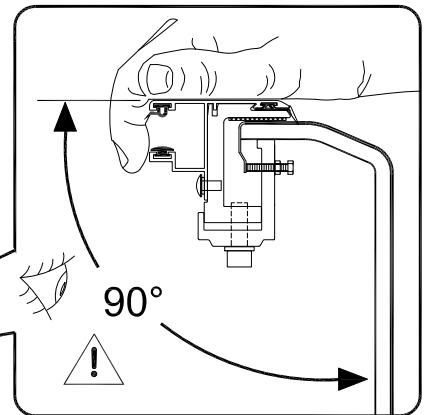
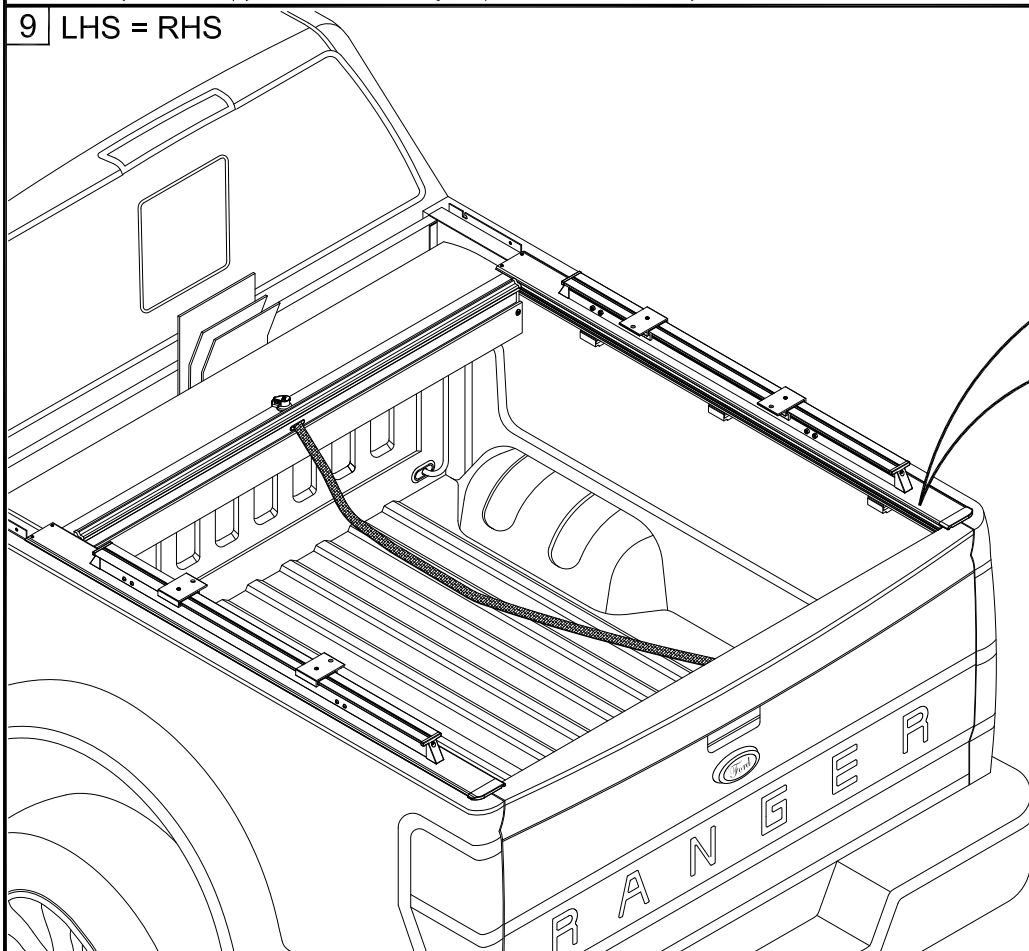
Secure Tracks to housing stems.



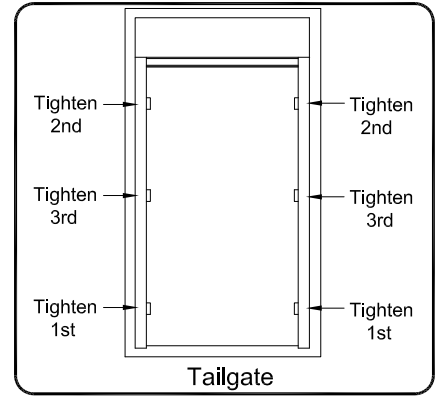
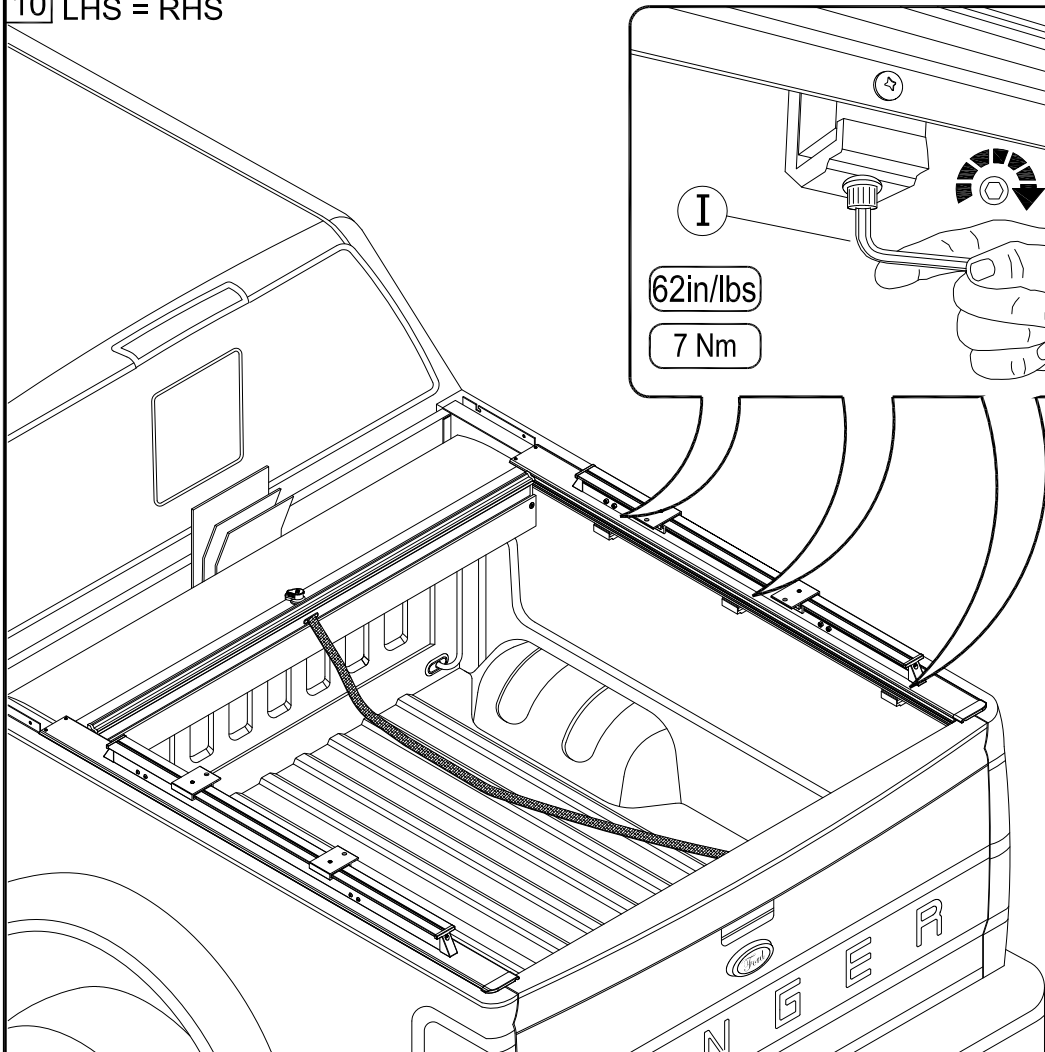
8 LHS = RHS



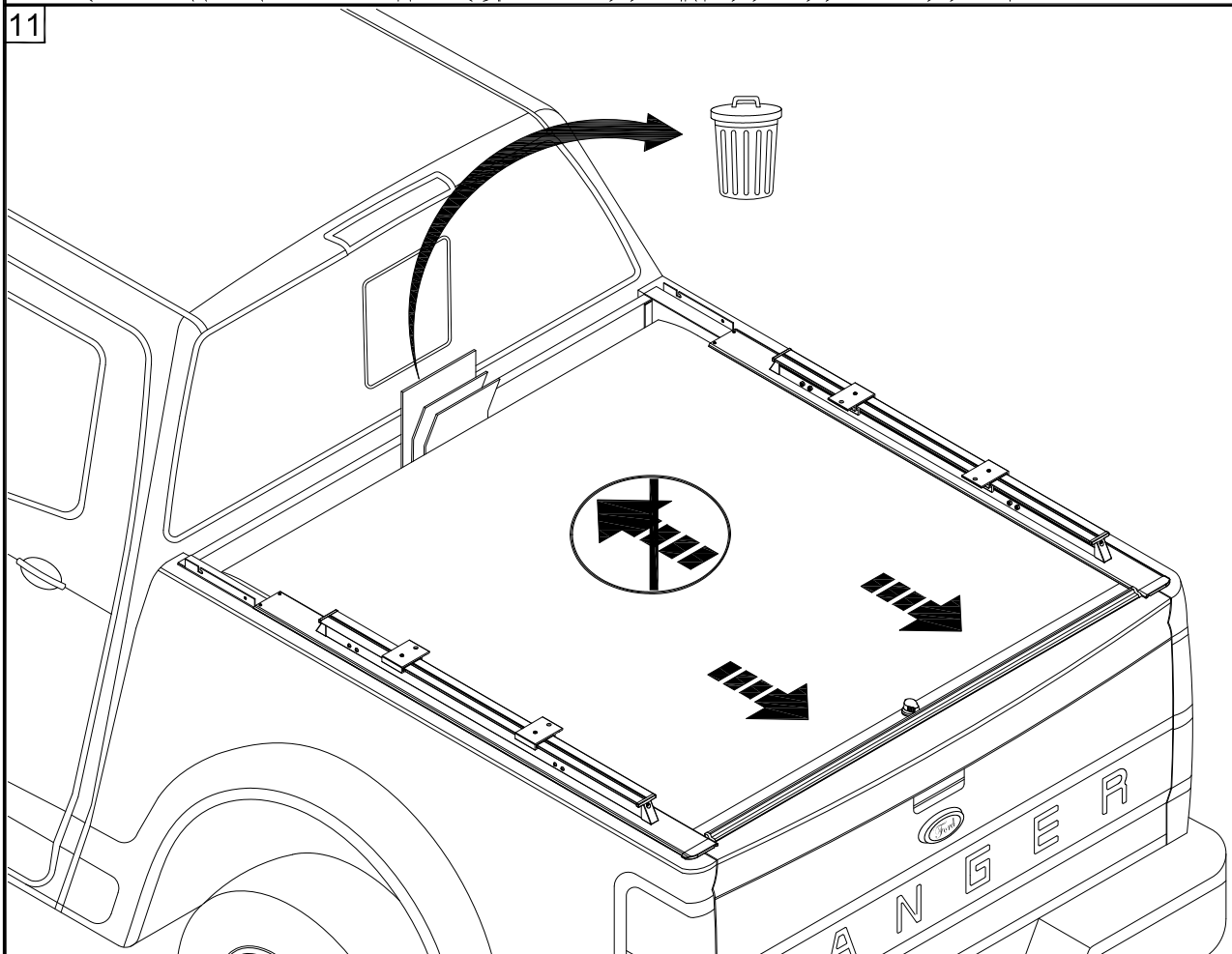
9 LHS = RHS



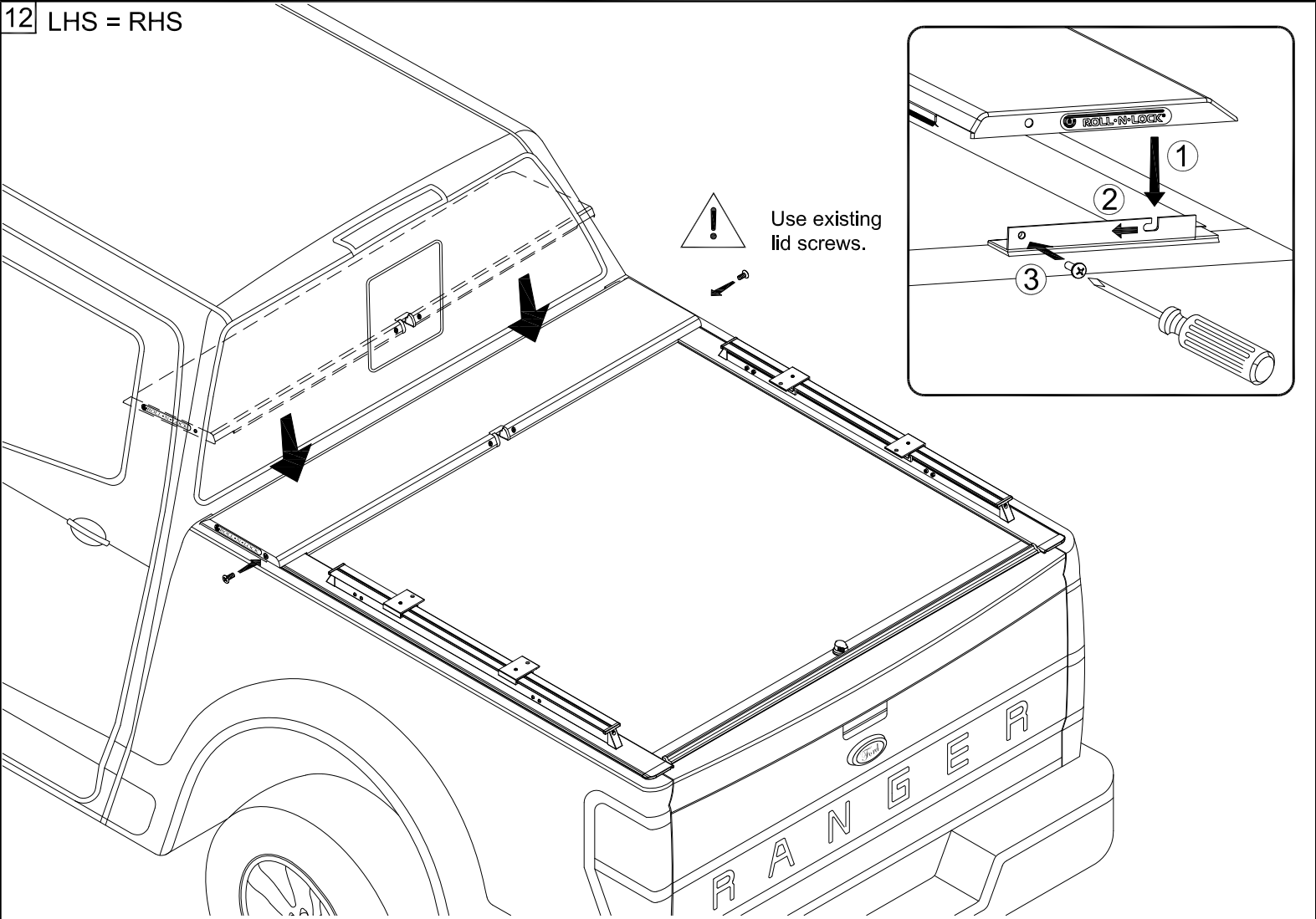
10 LHS = RHS



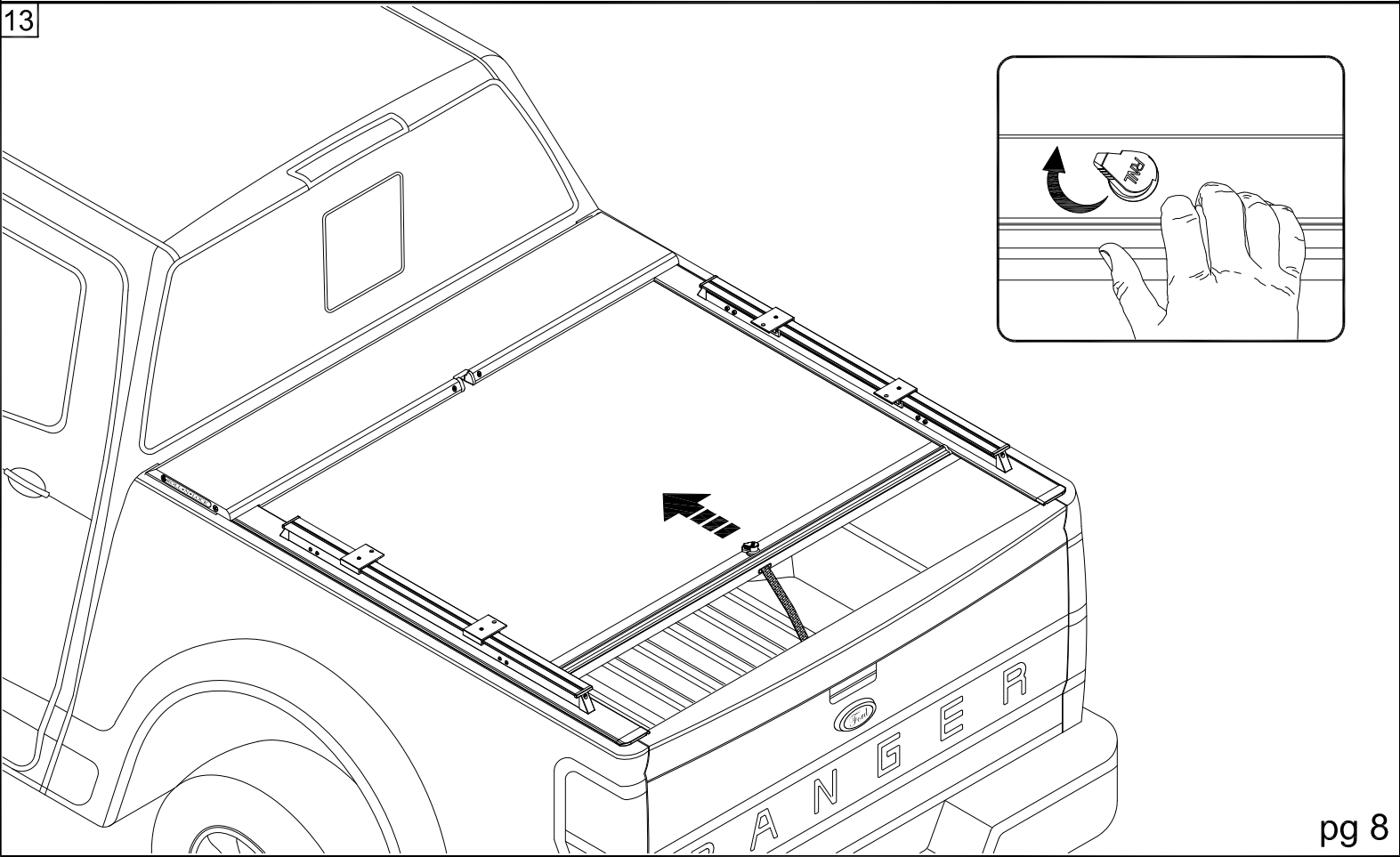
11

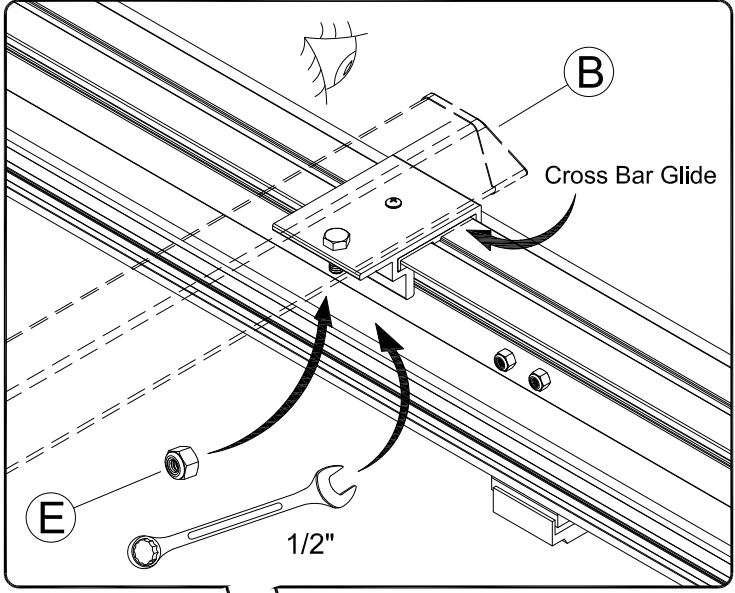
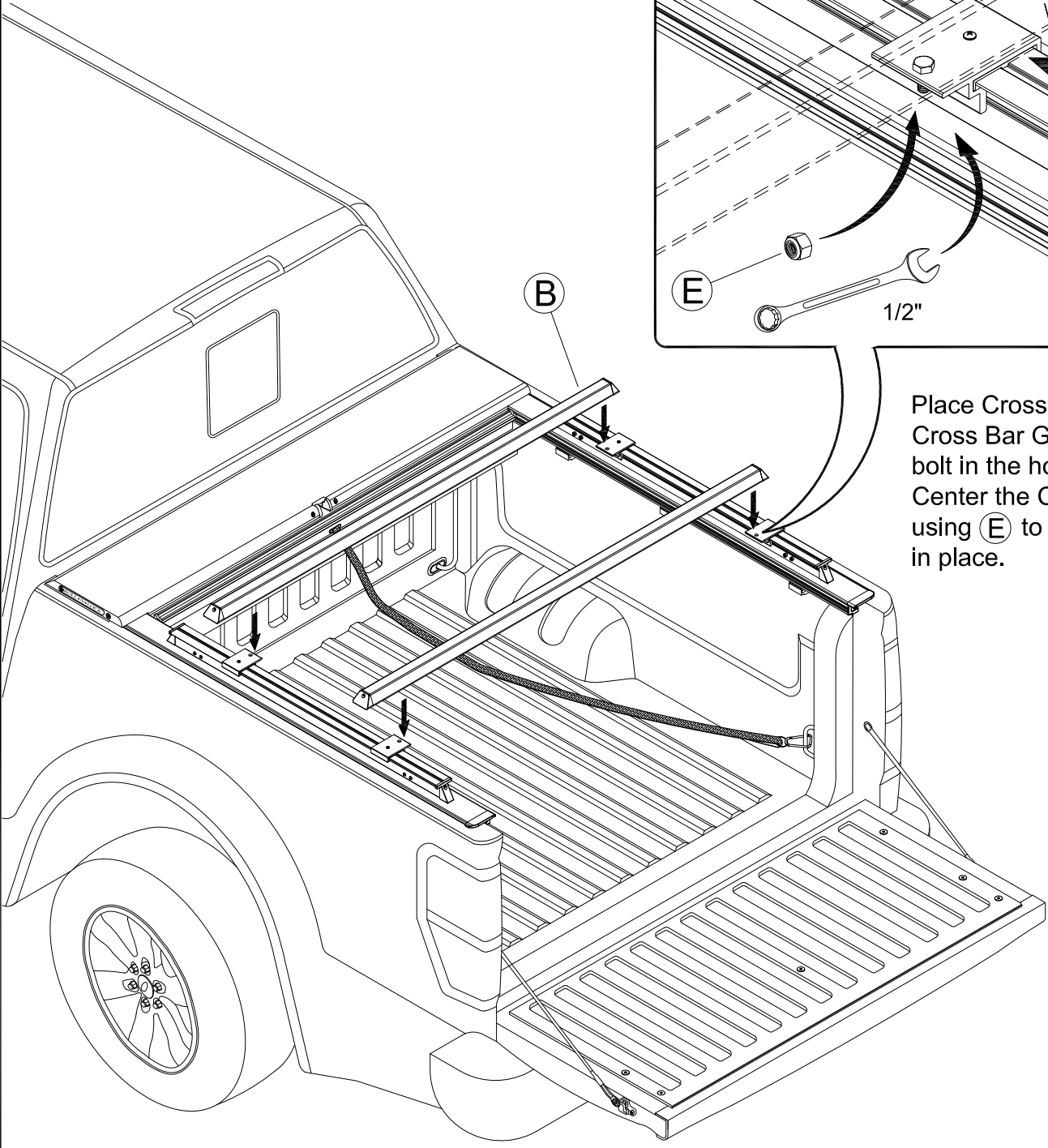


12 LHS = RHS



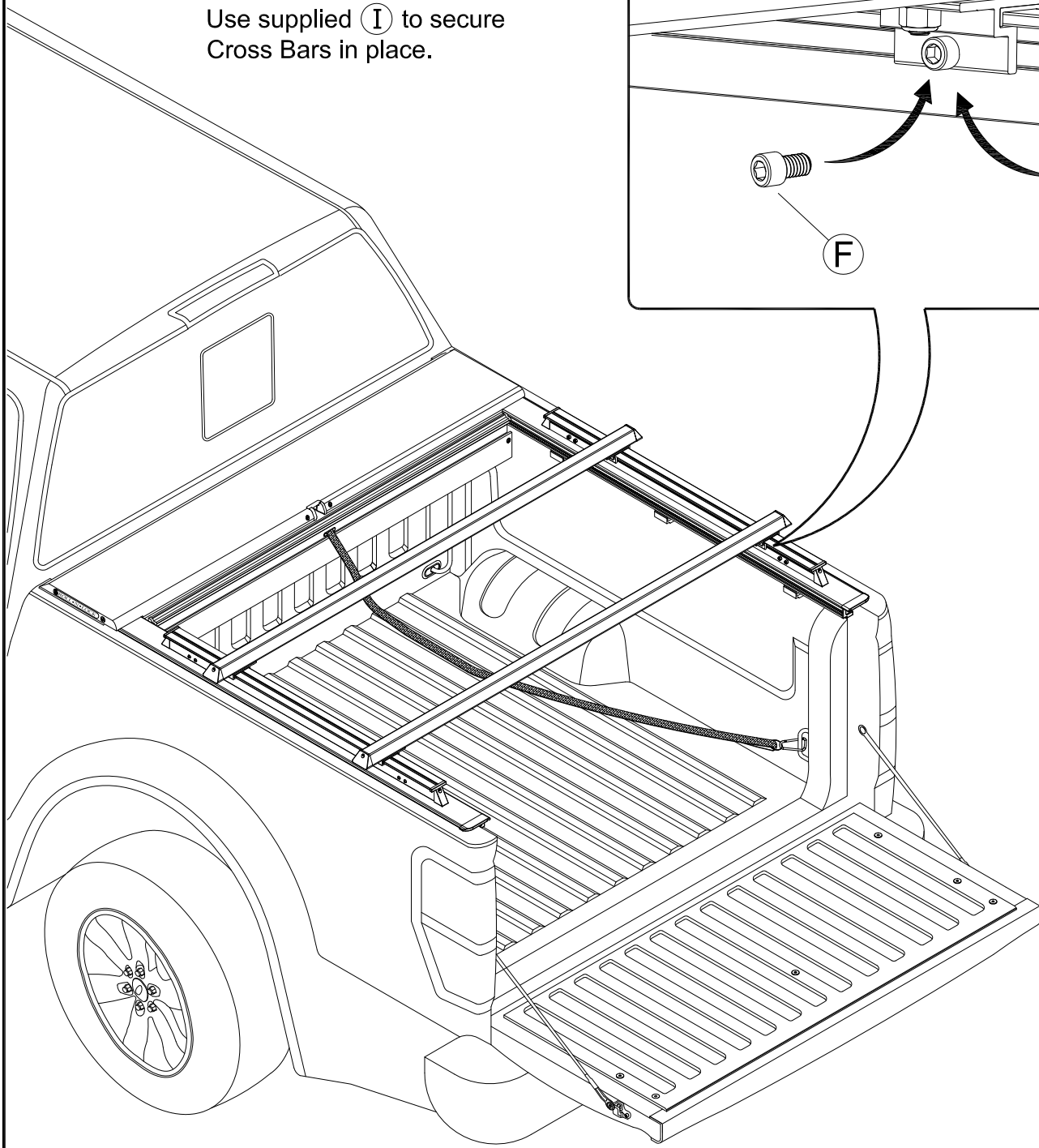
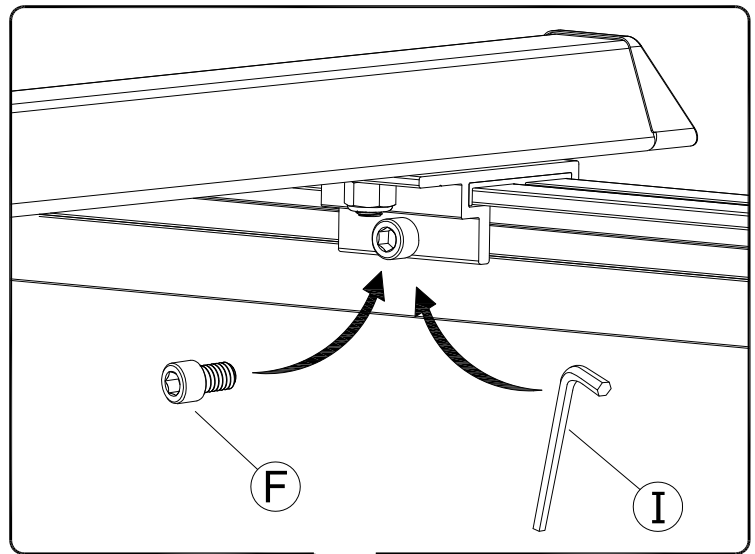
13





Place Cross Bar (B) on the Cross Bar Glide aligning the bolt in the hole at each end. Center the Cross Bar before using (E) to secure Cross Bar in place.

Once a desired location for the Cross Bar has been determined use (F) to thread through the hole in the Cross Bar Glide. Use supplied (I) to secure Cross Bars in place.



Any questions please call Customer Service at 800-952-7655
or email customerservice@rollnlock.com