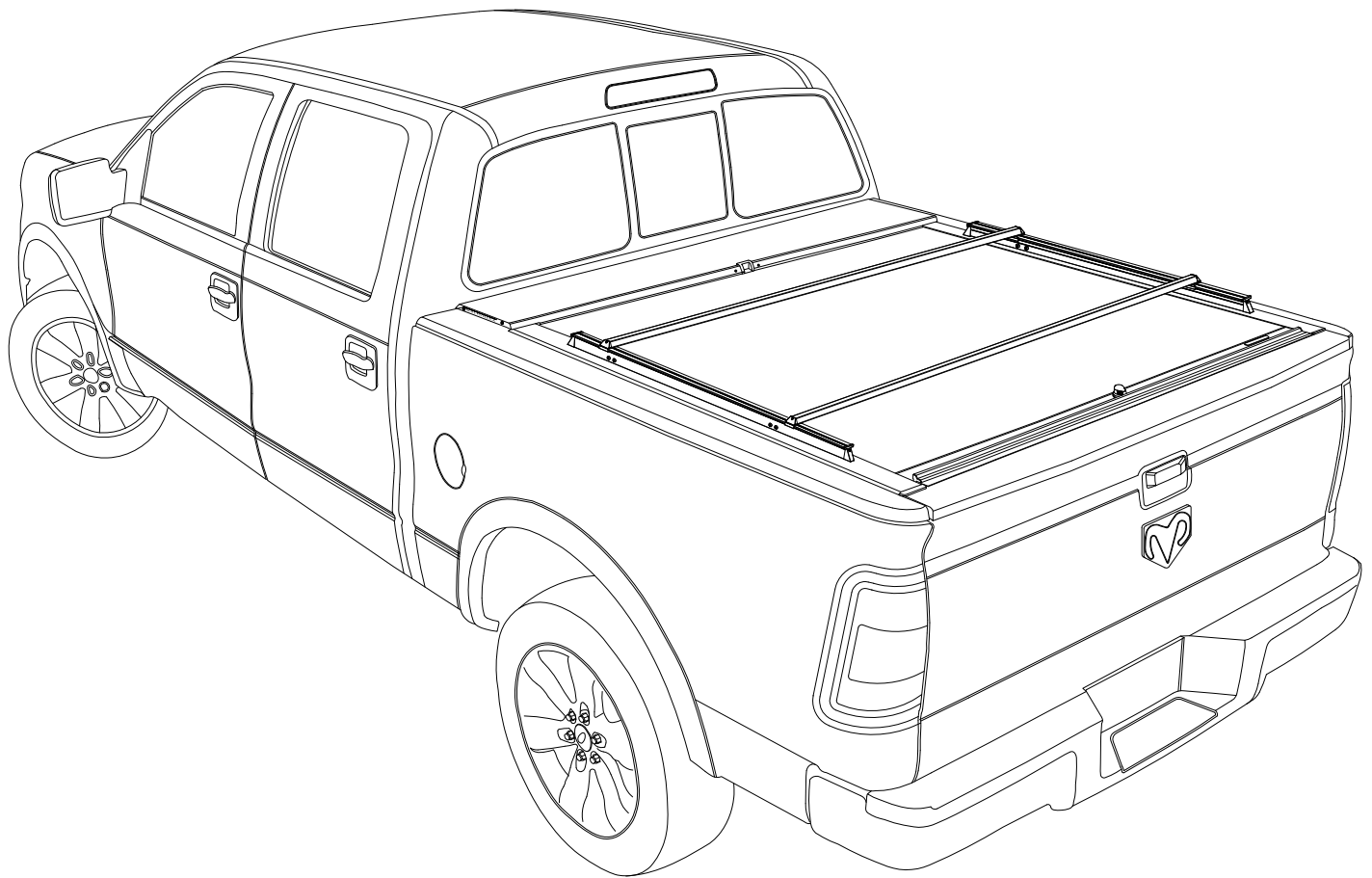




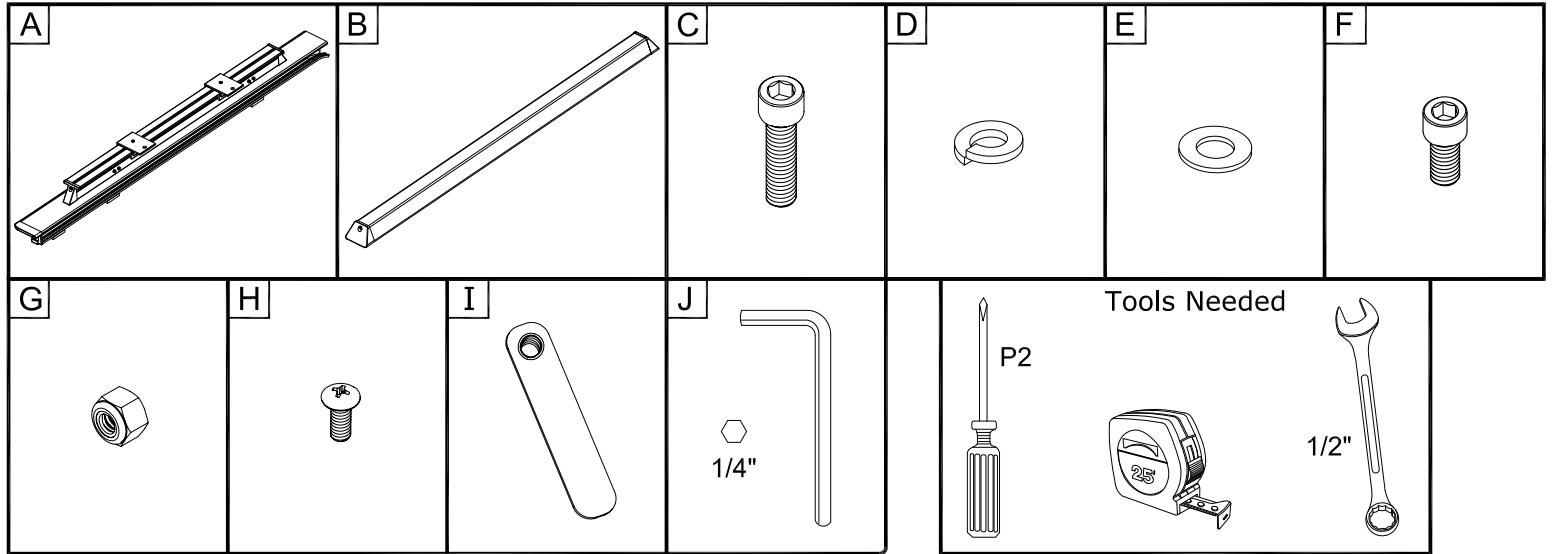
QwikRak Installation Guide

2019 Ram

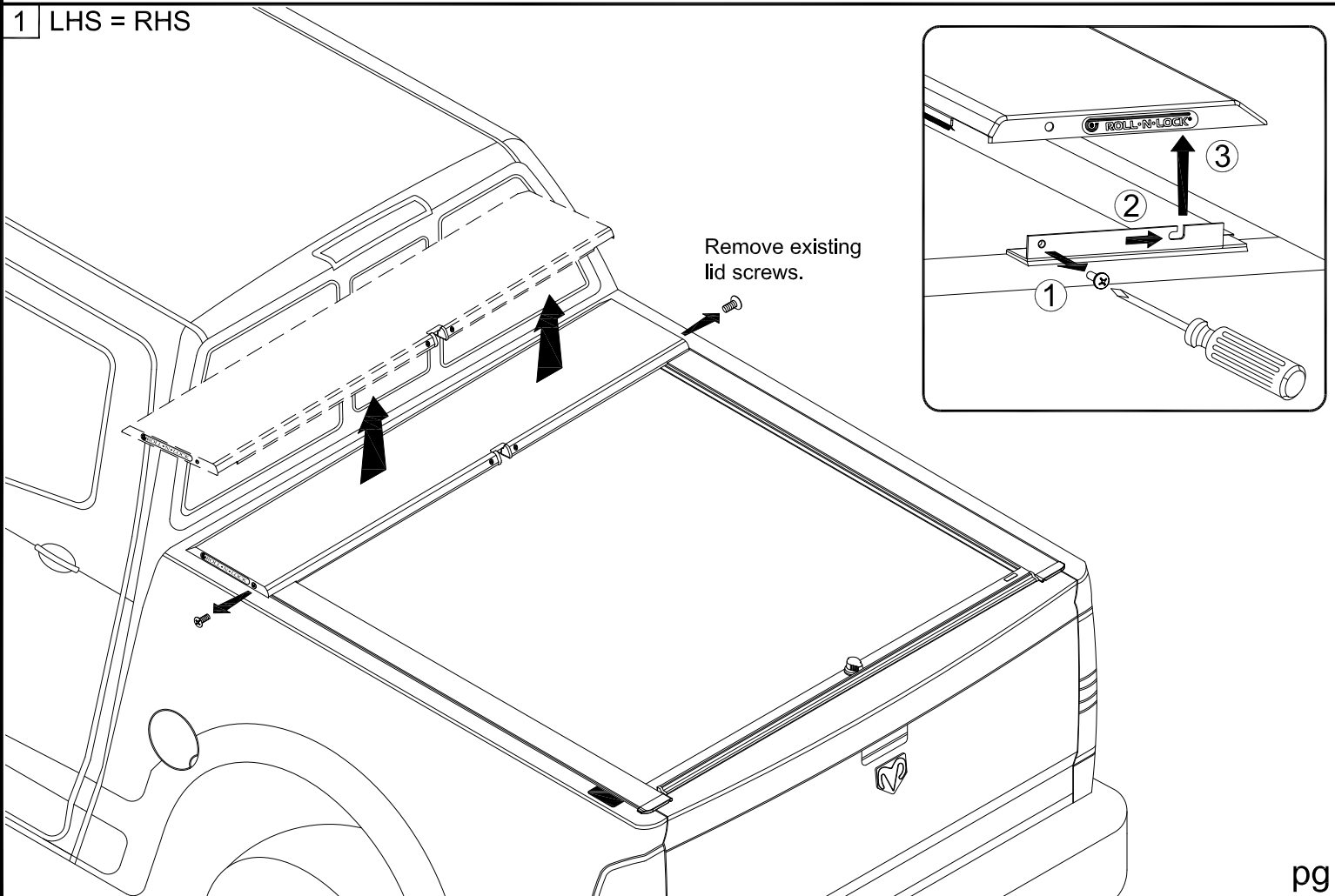


Product Code
QR401 - QR402

Item	Part Name	Qty.	Item	Part Name	Qty.	Item	Part Name	Qty.
A	Qwikrak Track	2	D	5/16" Lock Washer	8	G	5/16" Nylon Lock Nut	4
B	Cross Bar	2	E	5/16" Flat Washer	2	H	#10-24 X 3/8" Screw	2
C	5/16" x 1" Socket Cap Screw	8	F	5/16" x 3/4" Socket Cap Screw	4	I	Cargo Nut	2
						J	1/4" Allen Wrench	1

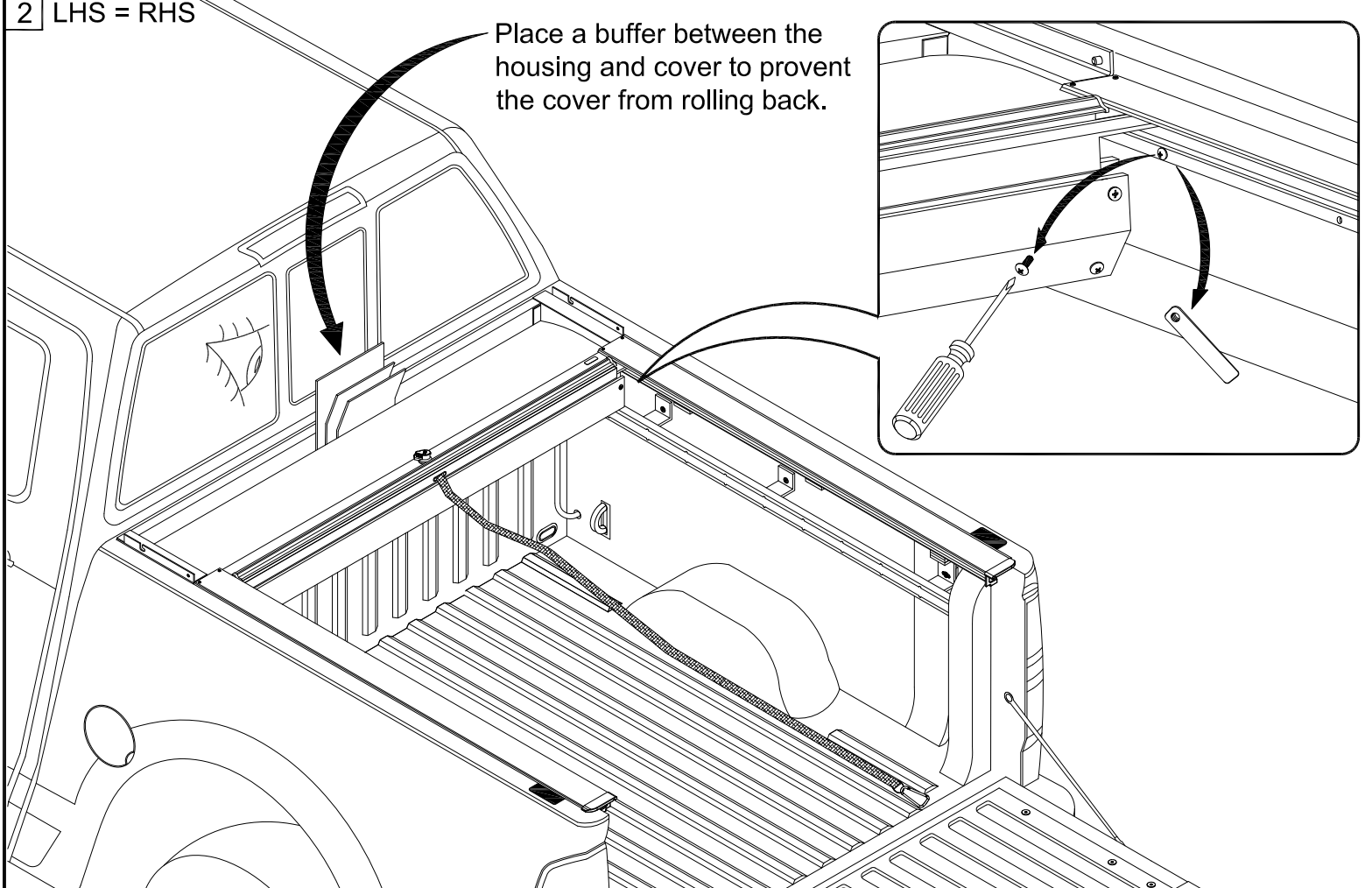


1 LHS = RHS



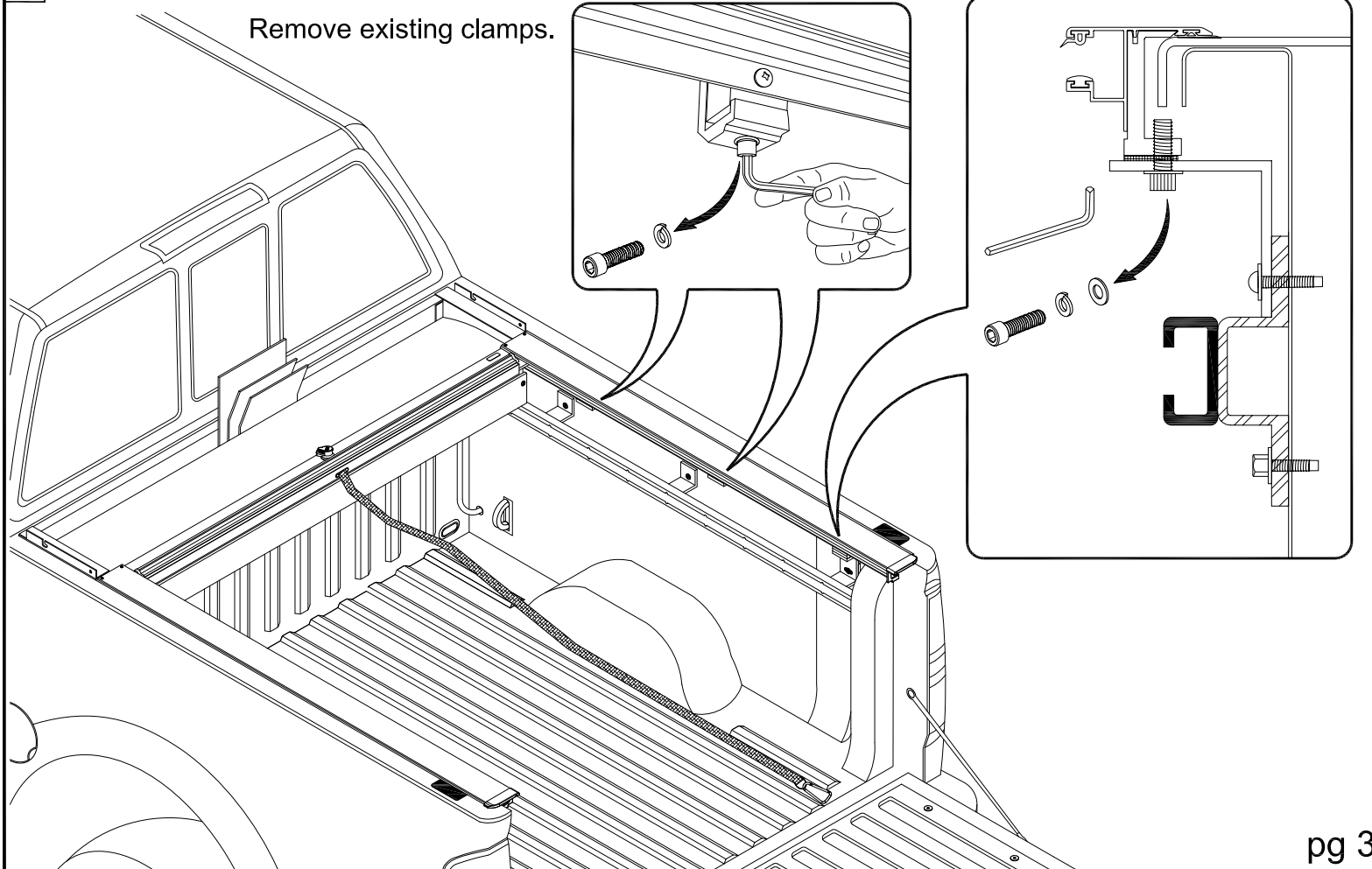
2 LHS = RHS

Place a buffer between the housing and cover to prevent the cover from rolling back.



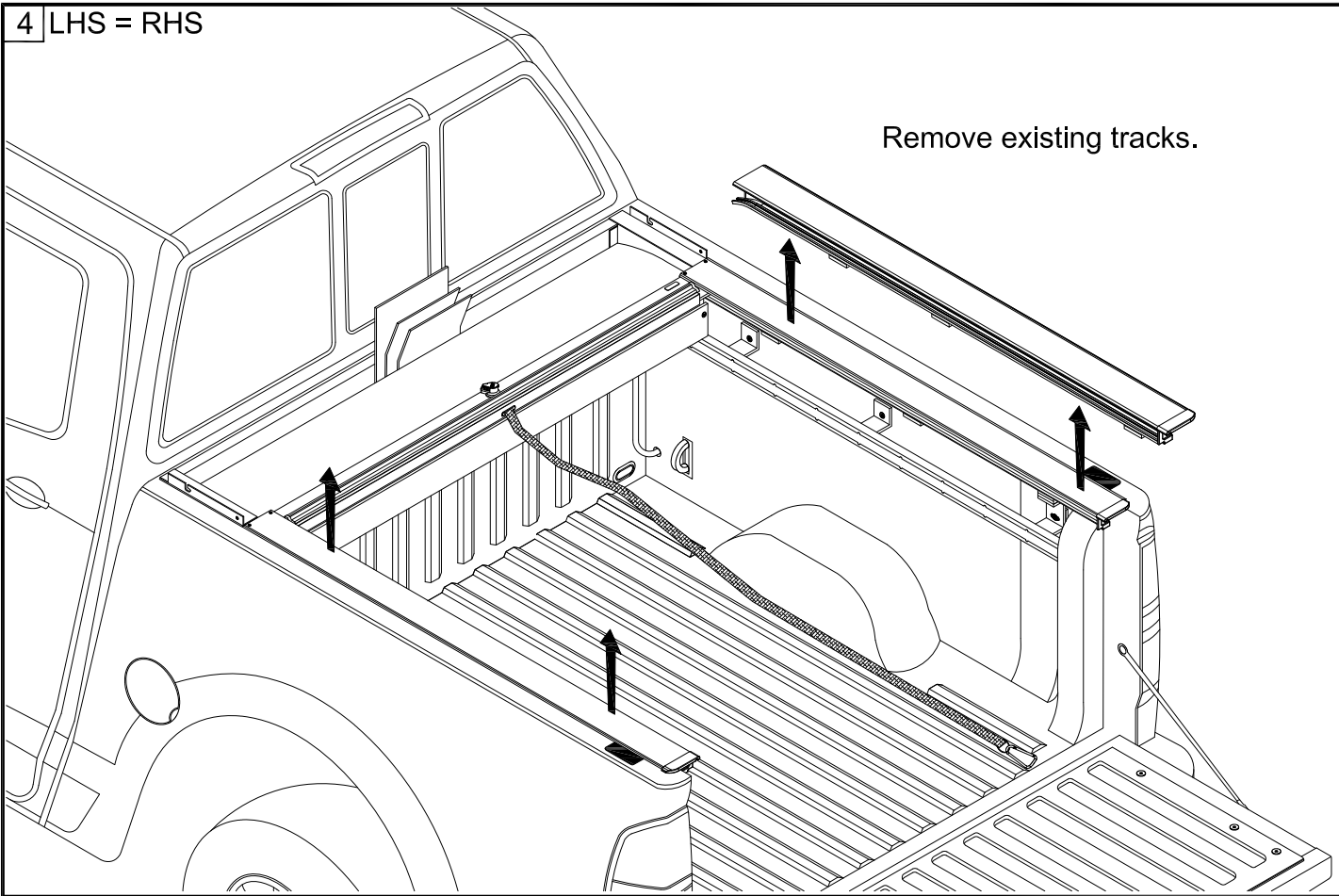
3 LHS = RHS

Remove existing clamps.



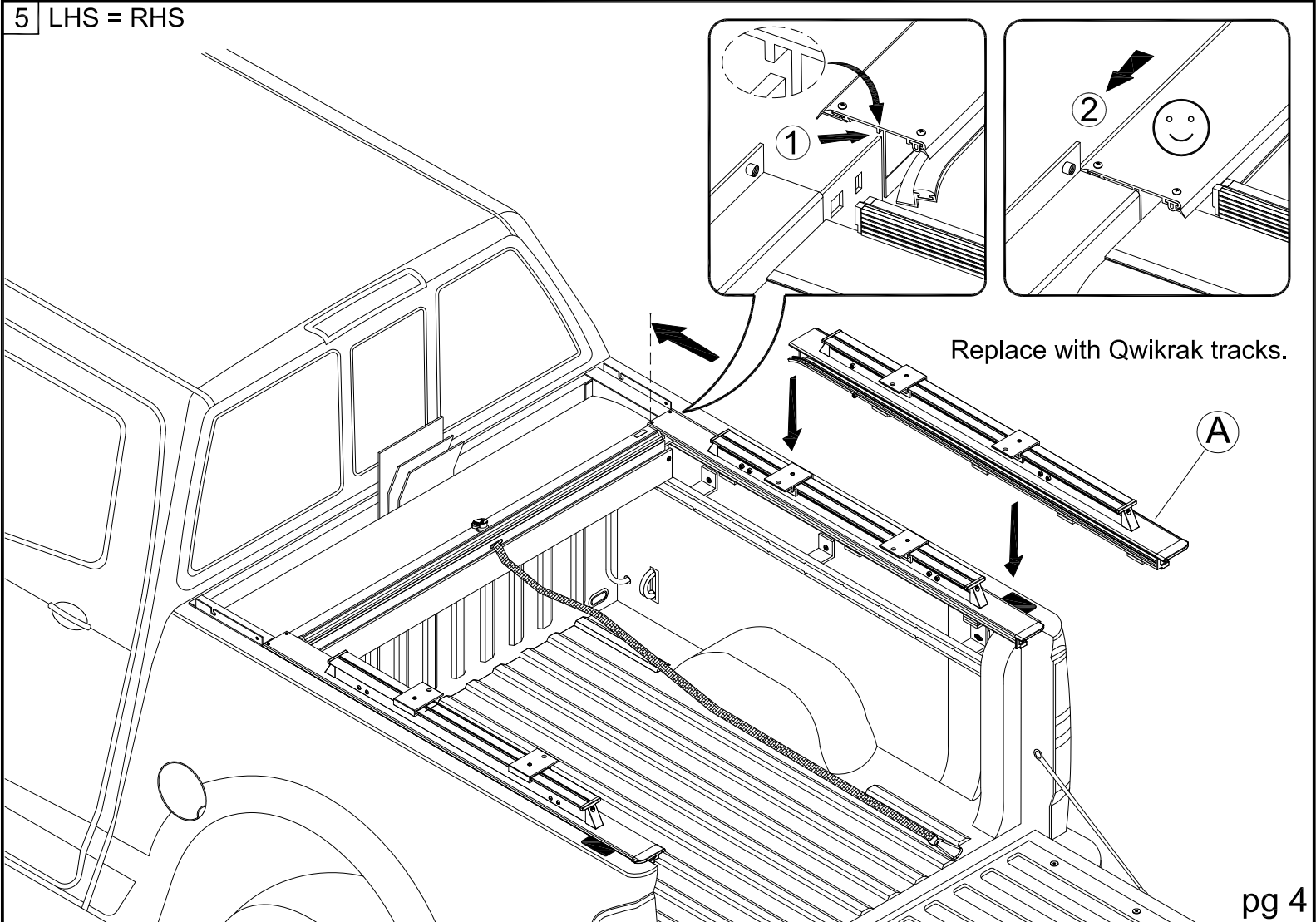
4 LHS = RHS

Remove existing tracks.

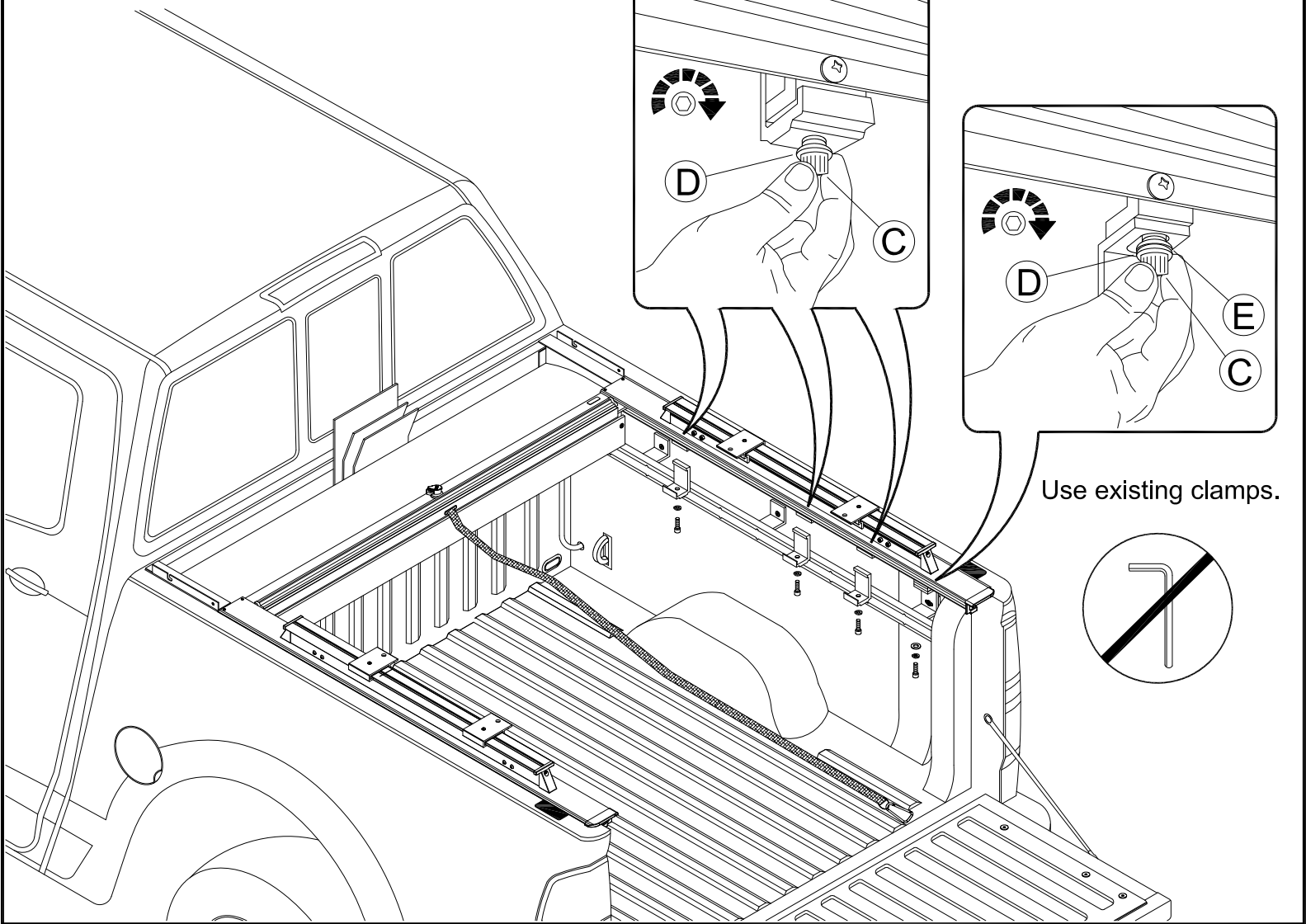


5 LHS = RHS

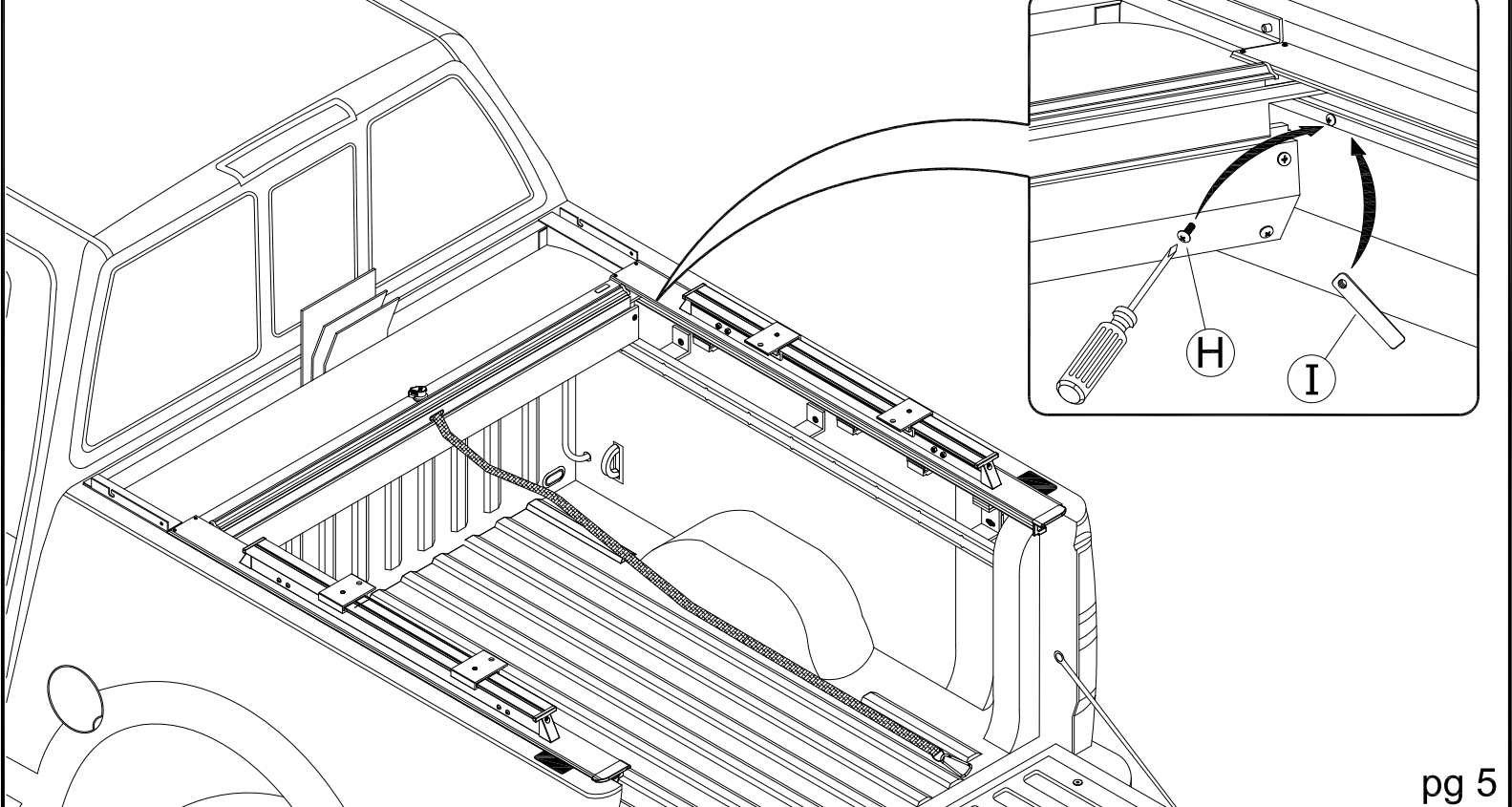
Replace with Qwikrak tracks.

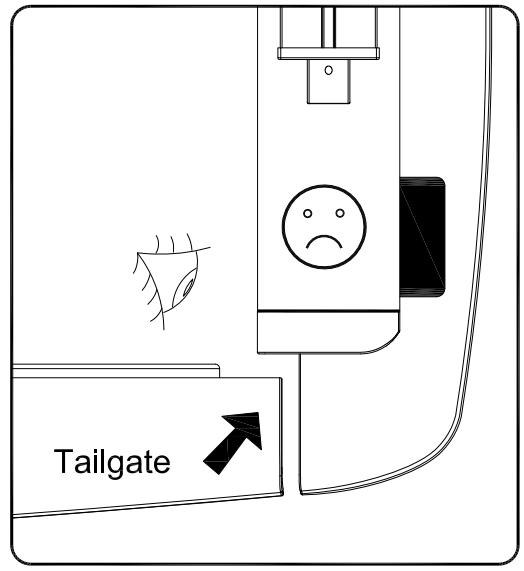
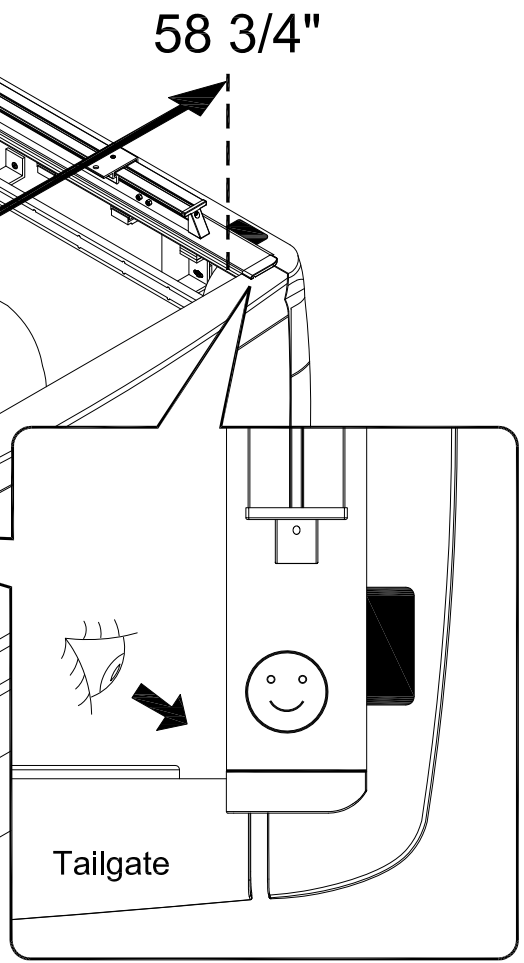
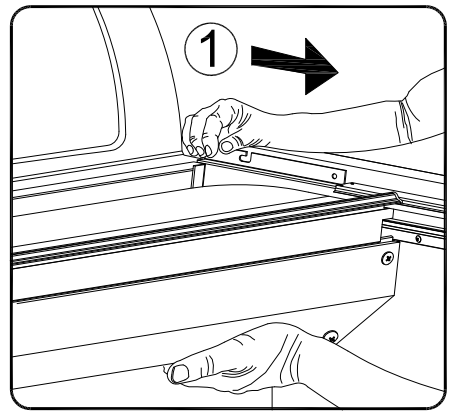
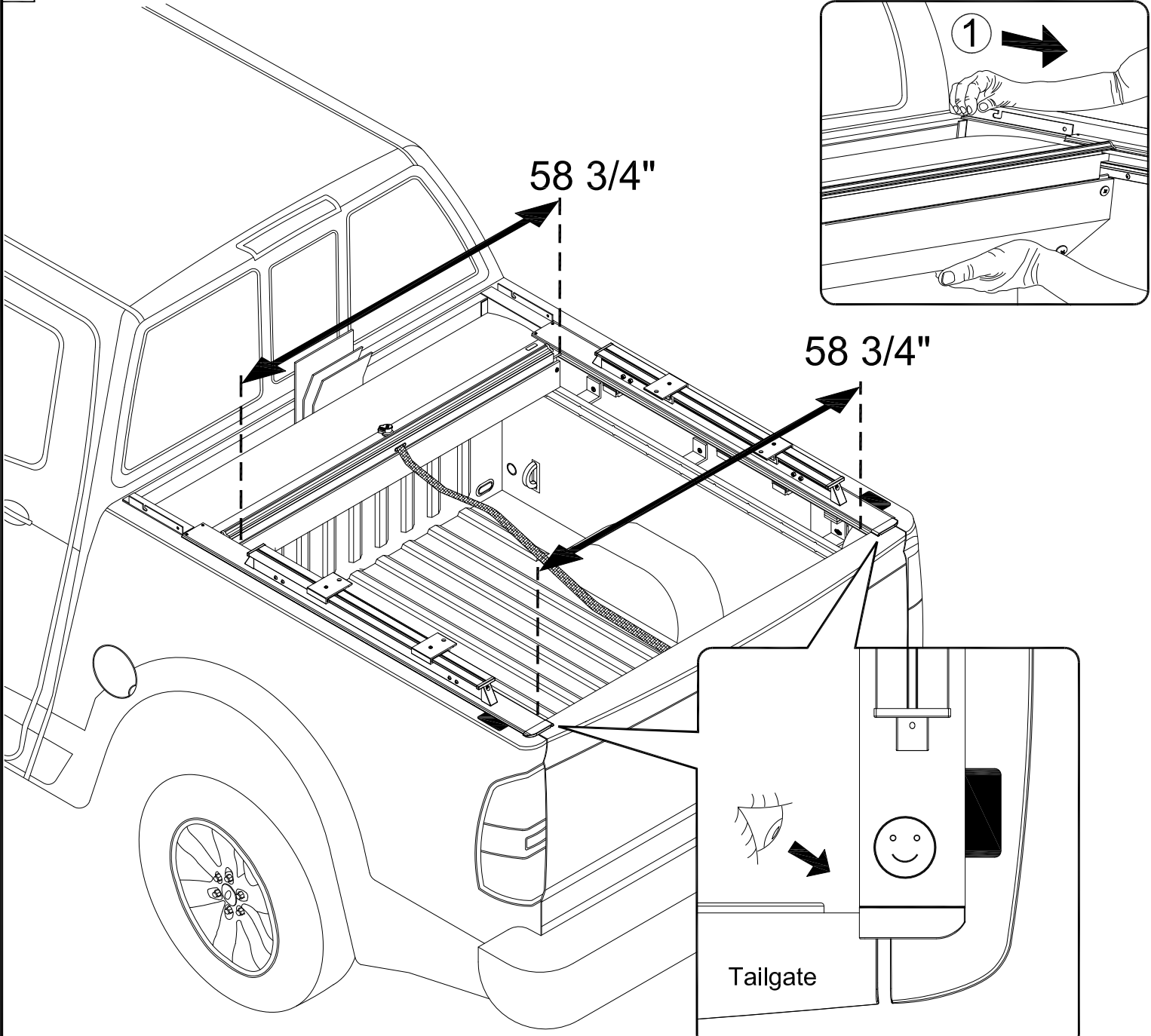


6 LHS = RHS

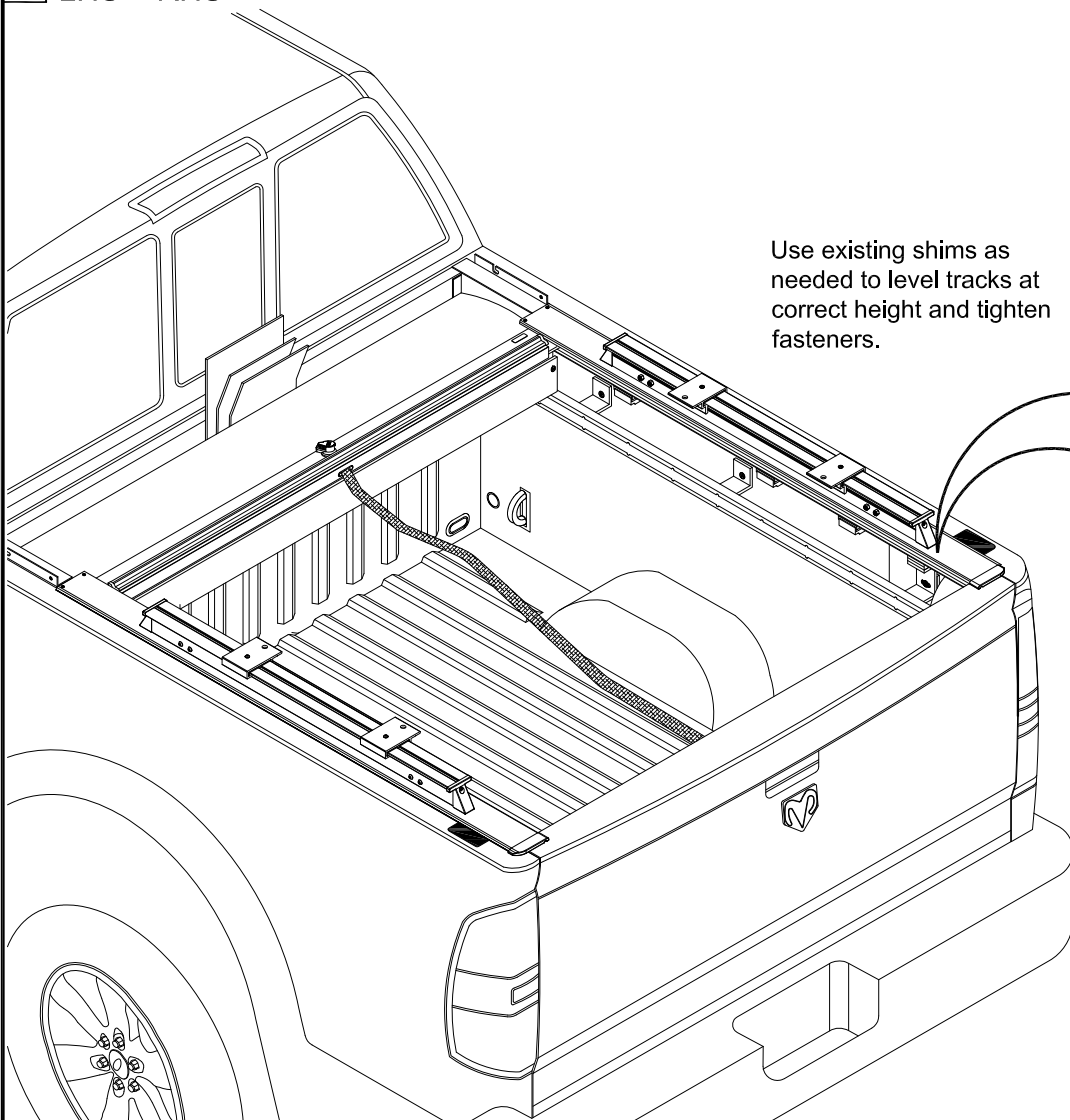


7 LHS = RHS

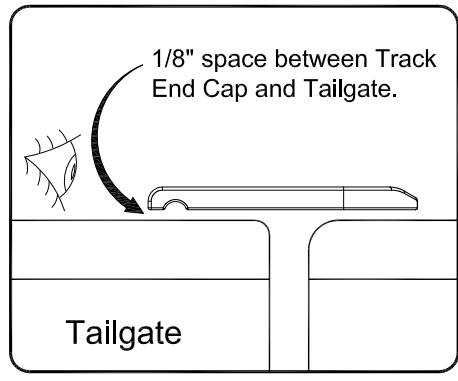
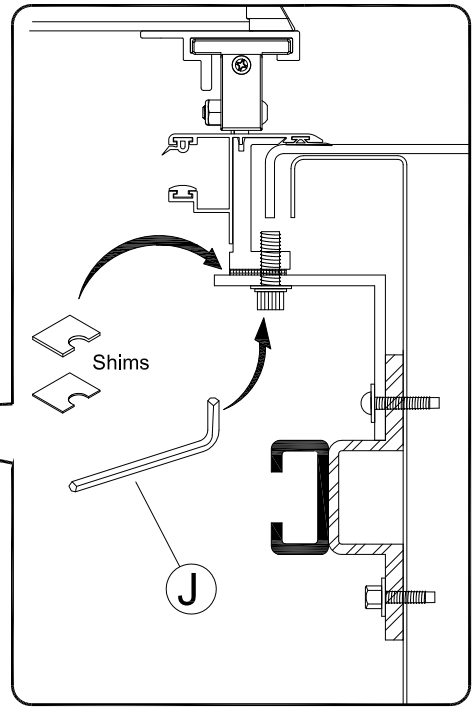




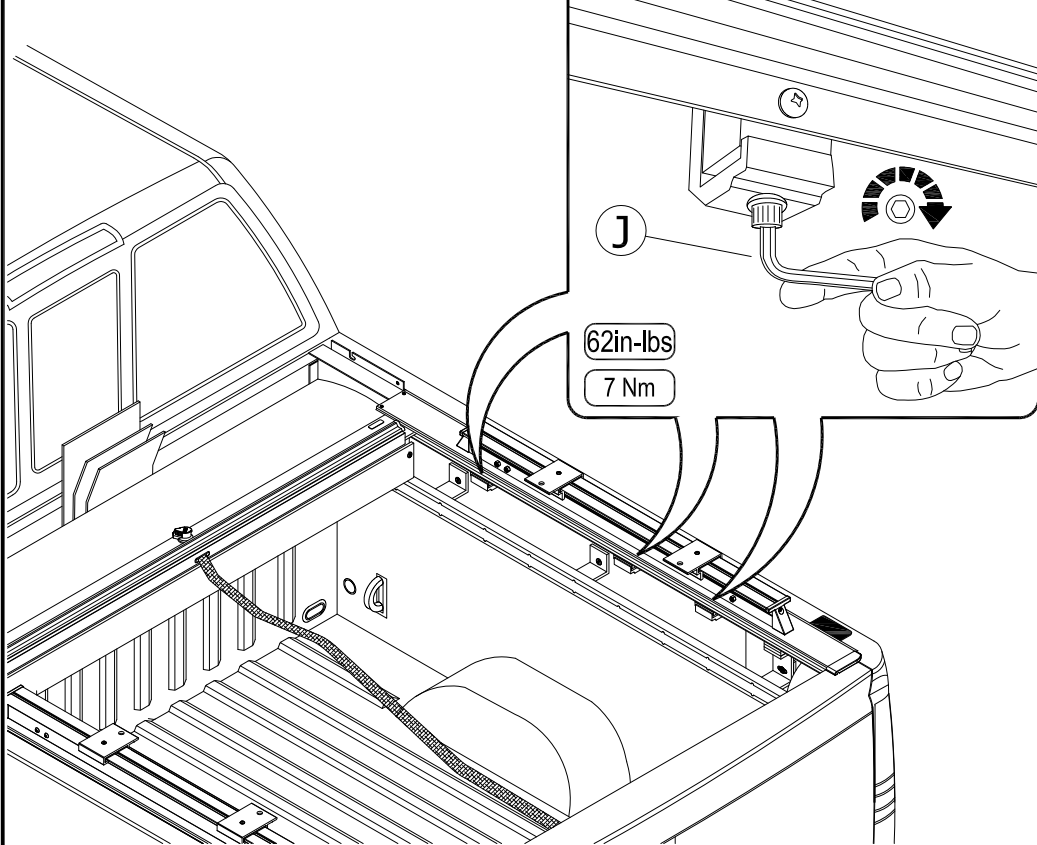
9 LHS = RHS



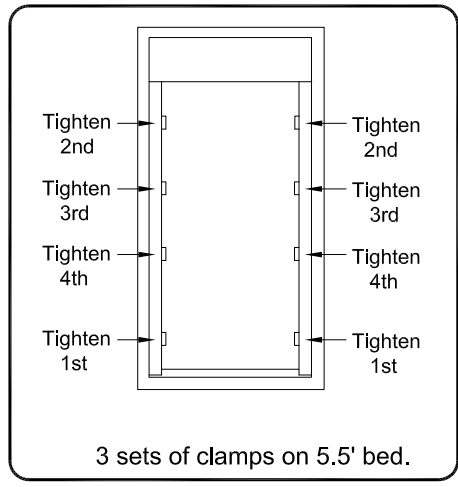
Use existing shims as needed to level tracks at correct height and tighten fasteners.



10 LHS = RHS



62in-lbs
7 Nm

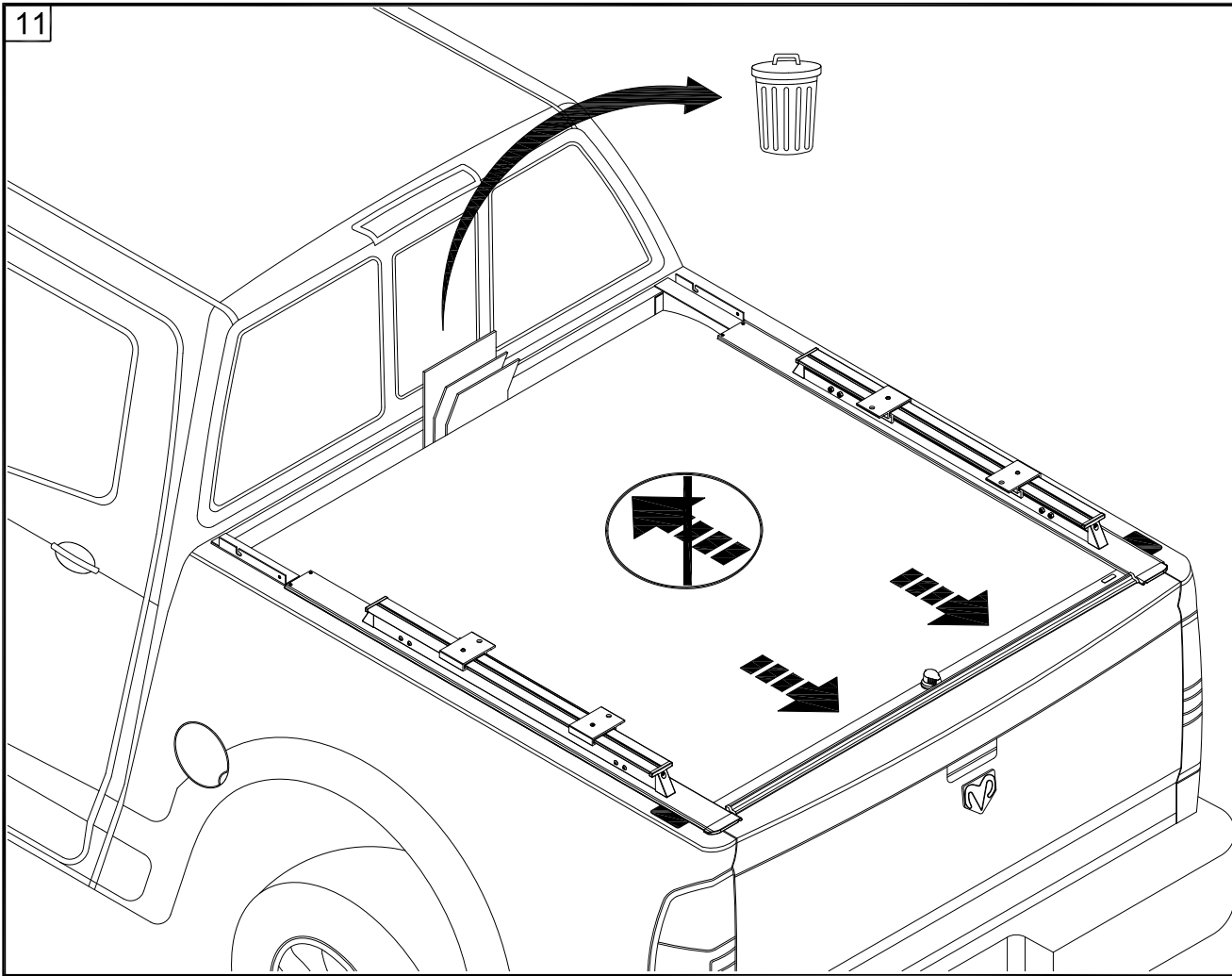


Tighten 2nd
Tighten 3rd
Tighten 4th
Tighten 1st

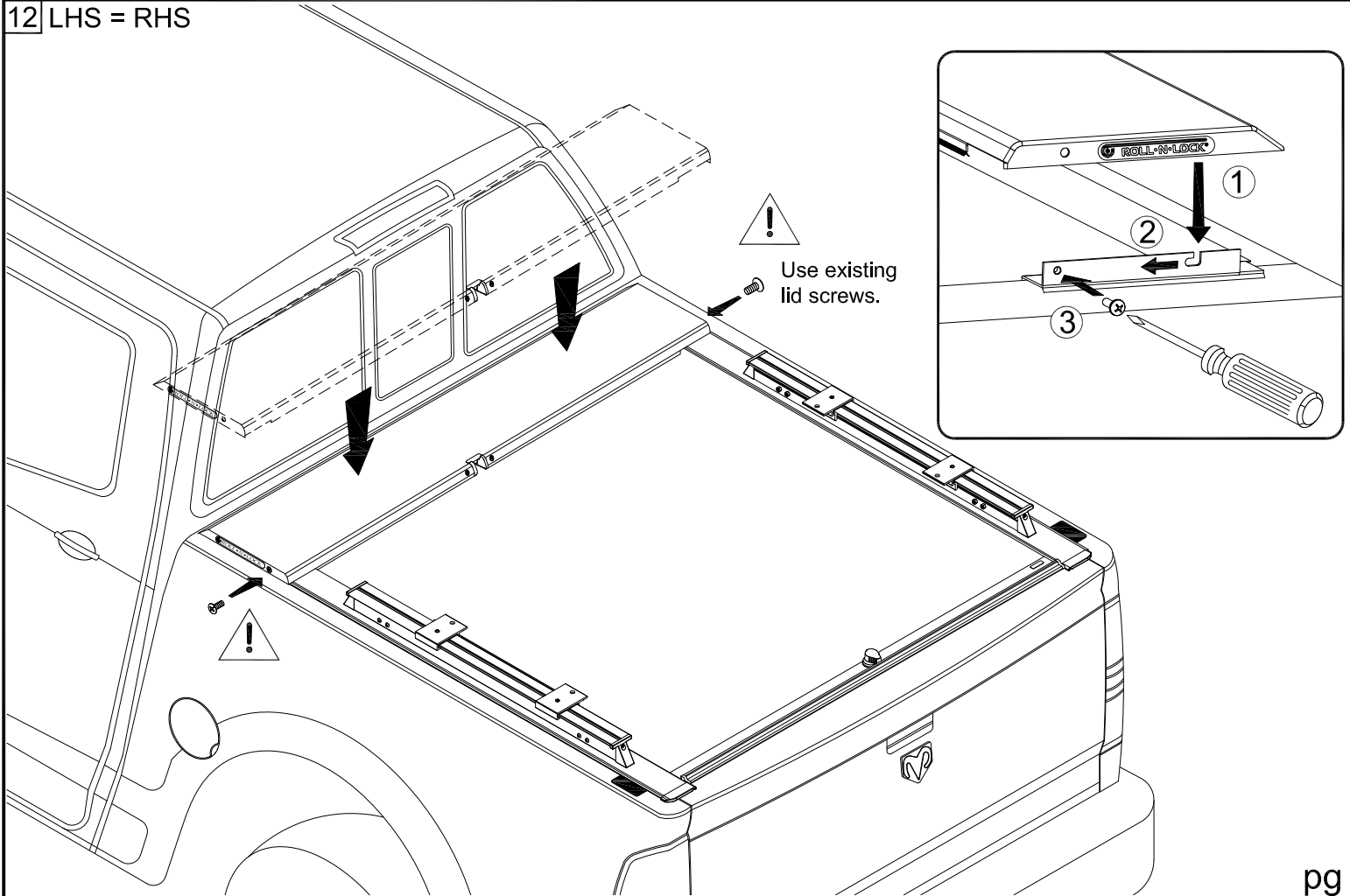
Tighten 2nd
Tighten 3rd
Tighten 4th
Tighten 1st

3 sets of clamps on 5.5' bed.

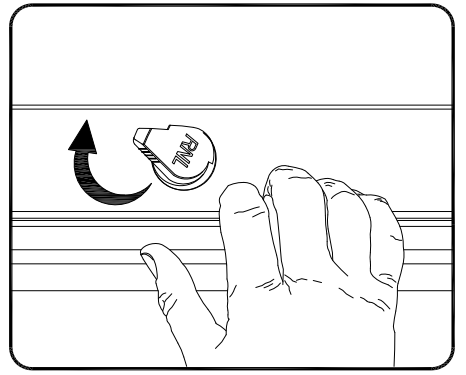
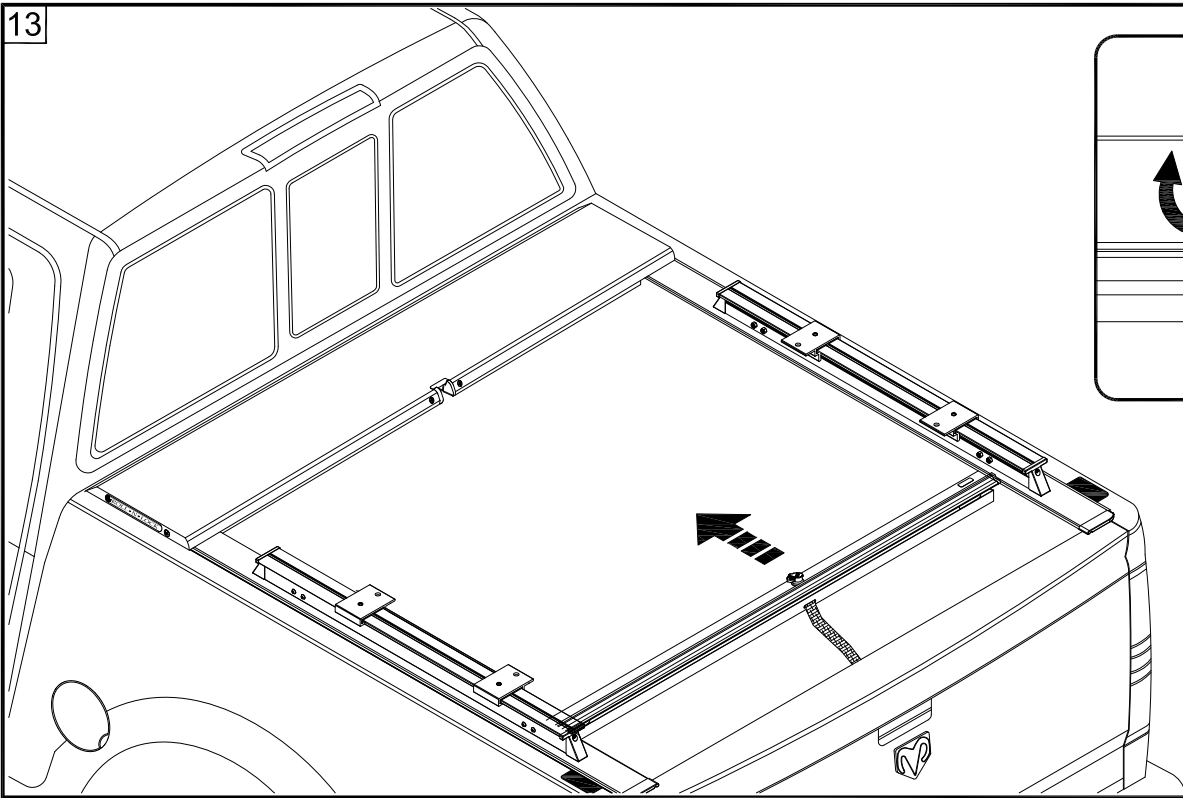
11



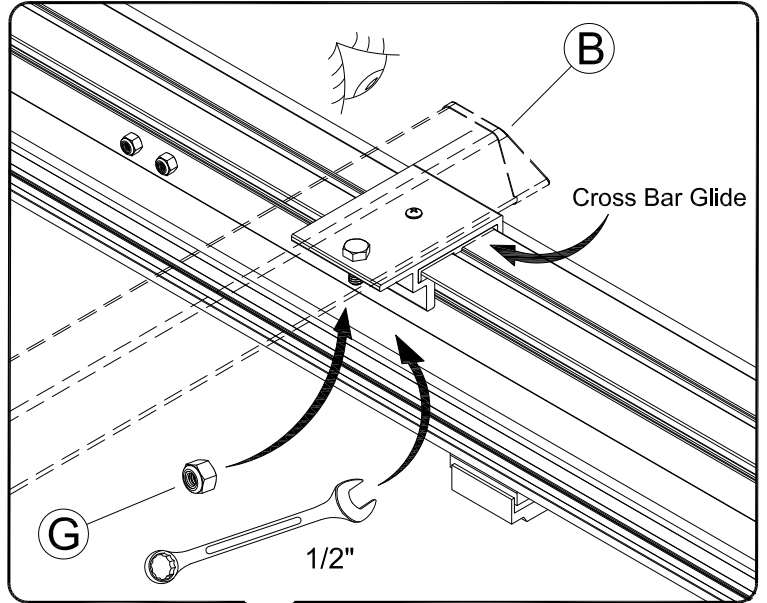
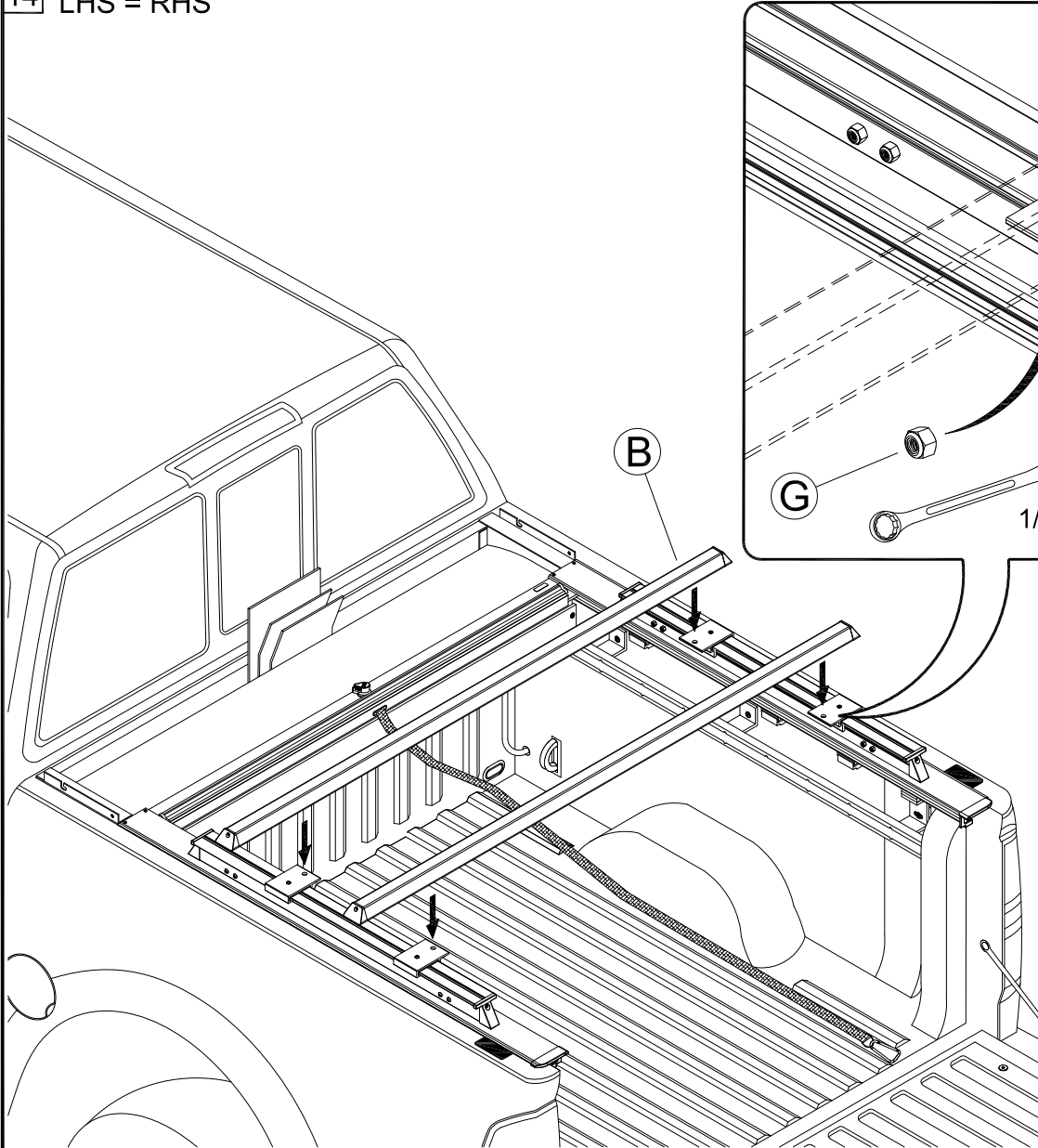
12 LHS = RHS



13



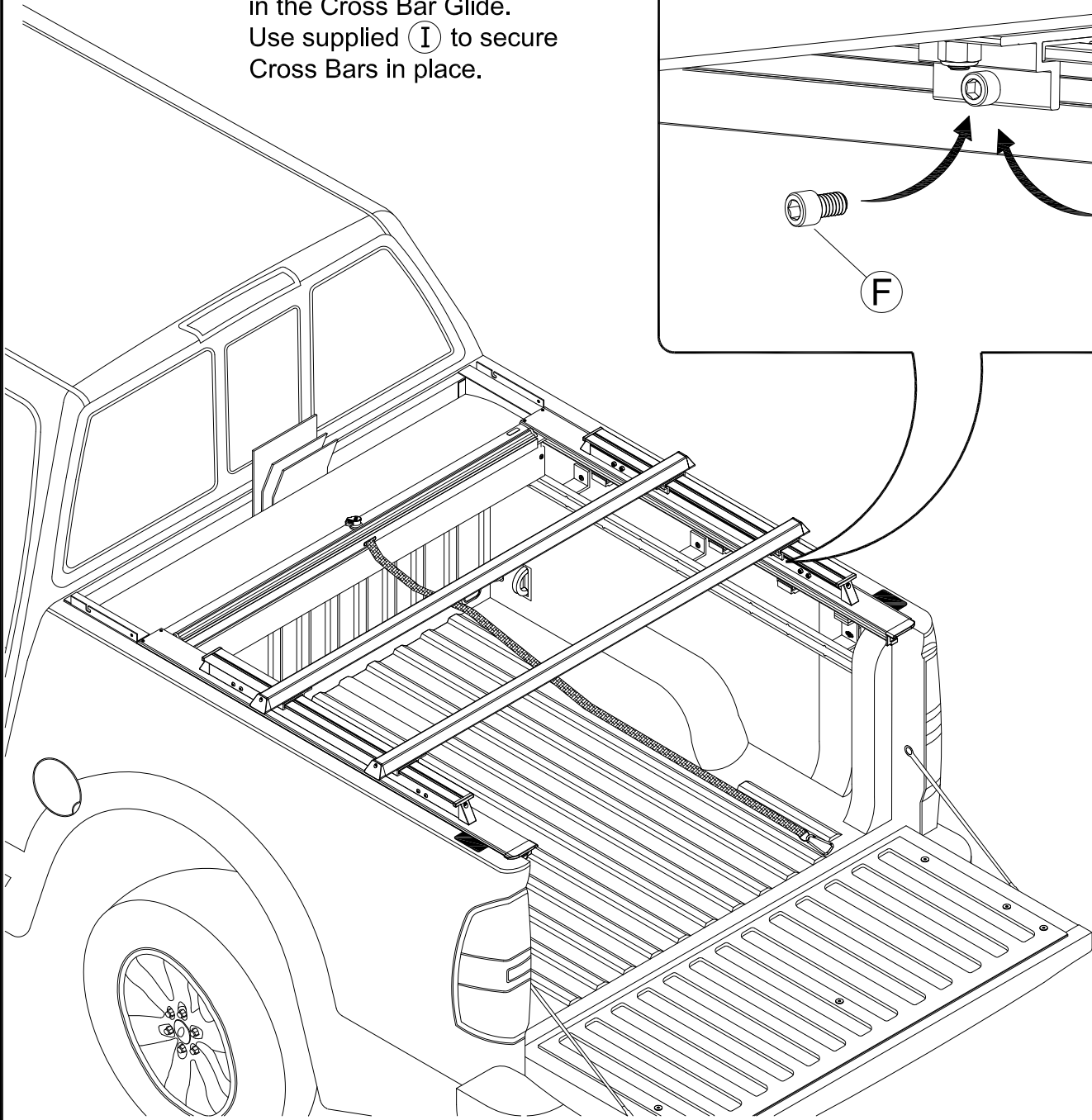
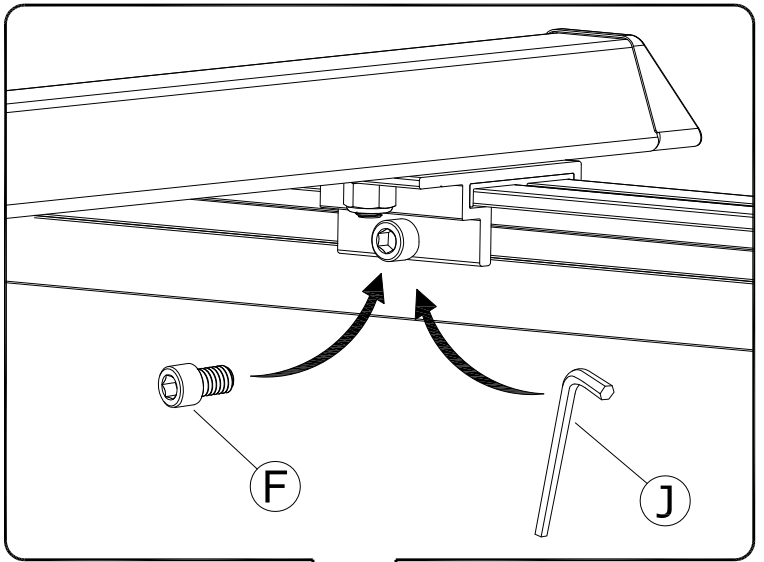
14 LHS = RHS



Place Cross Bar (B) on the Cross Bar Glide aligning the bolt in the hole at each end. Center the Cross Bar before using (G) to secure Cross Bar in place.

15 LHS = RHS

Once a desired location for the Cross Bar has been determined use (F) to thread through the hole in the Cross Bar Glide. Use supplied (I) to secure Cross Bars in place.



Any questions please call Customer Service at 800-952-7655
or email customerservice@rollnlock.com