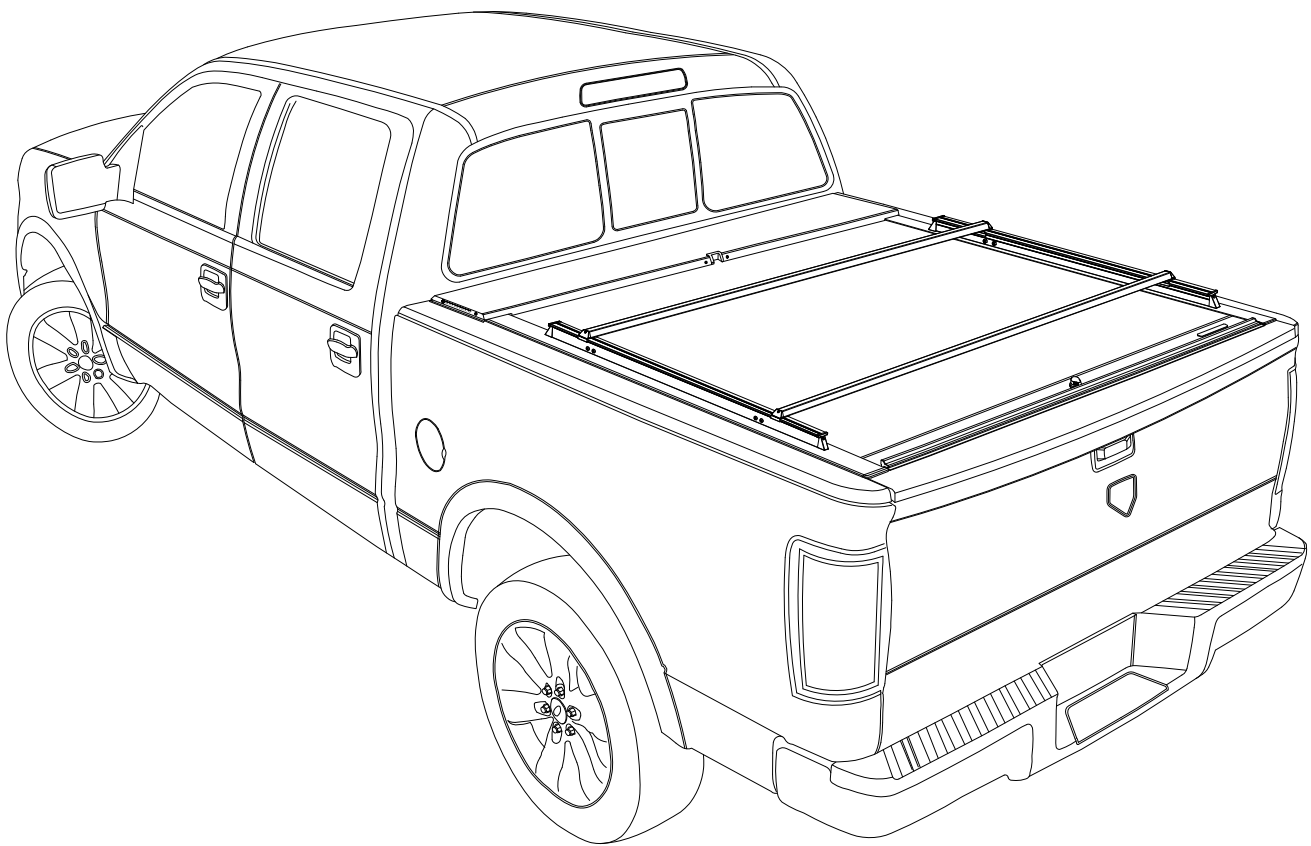




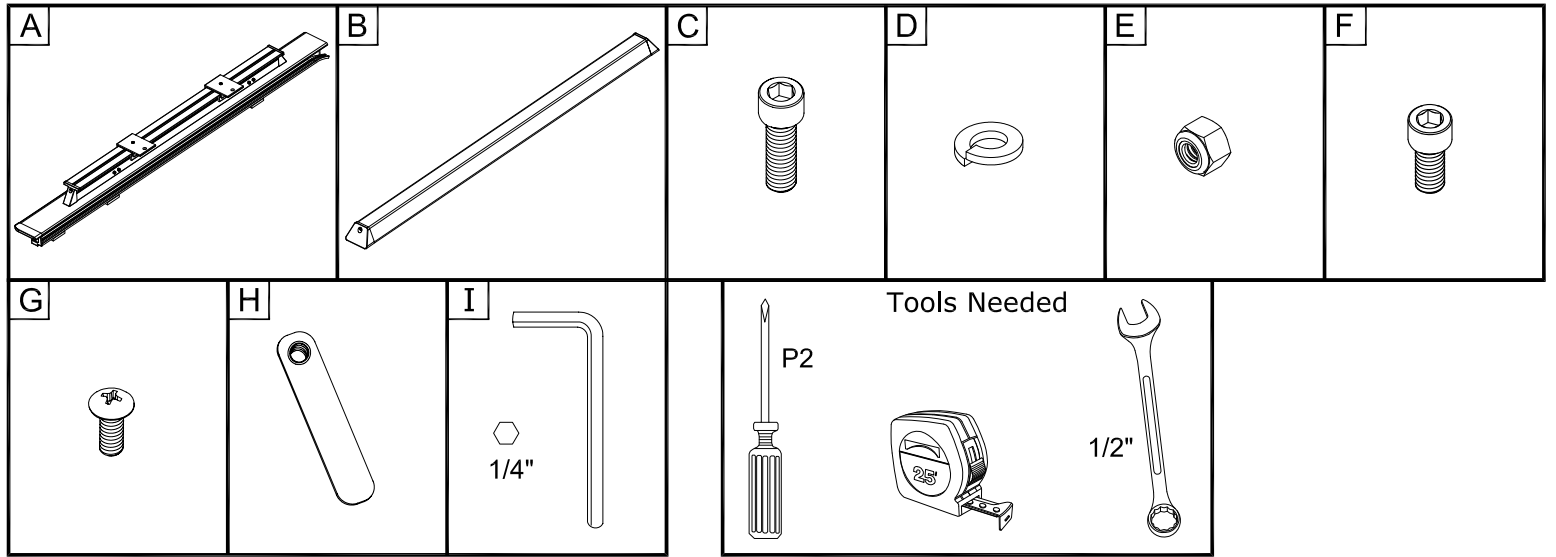
QwikRak Installation Guide

2009-2018 Dodge Ram

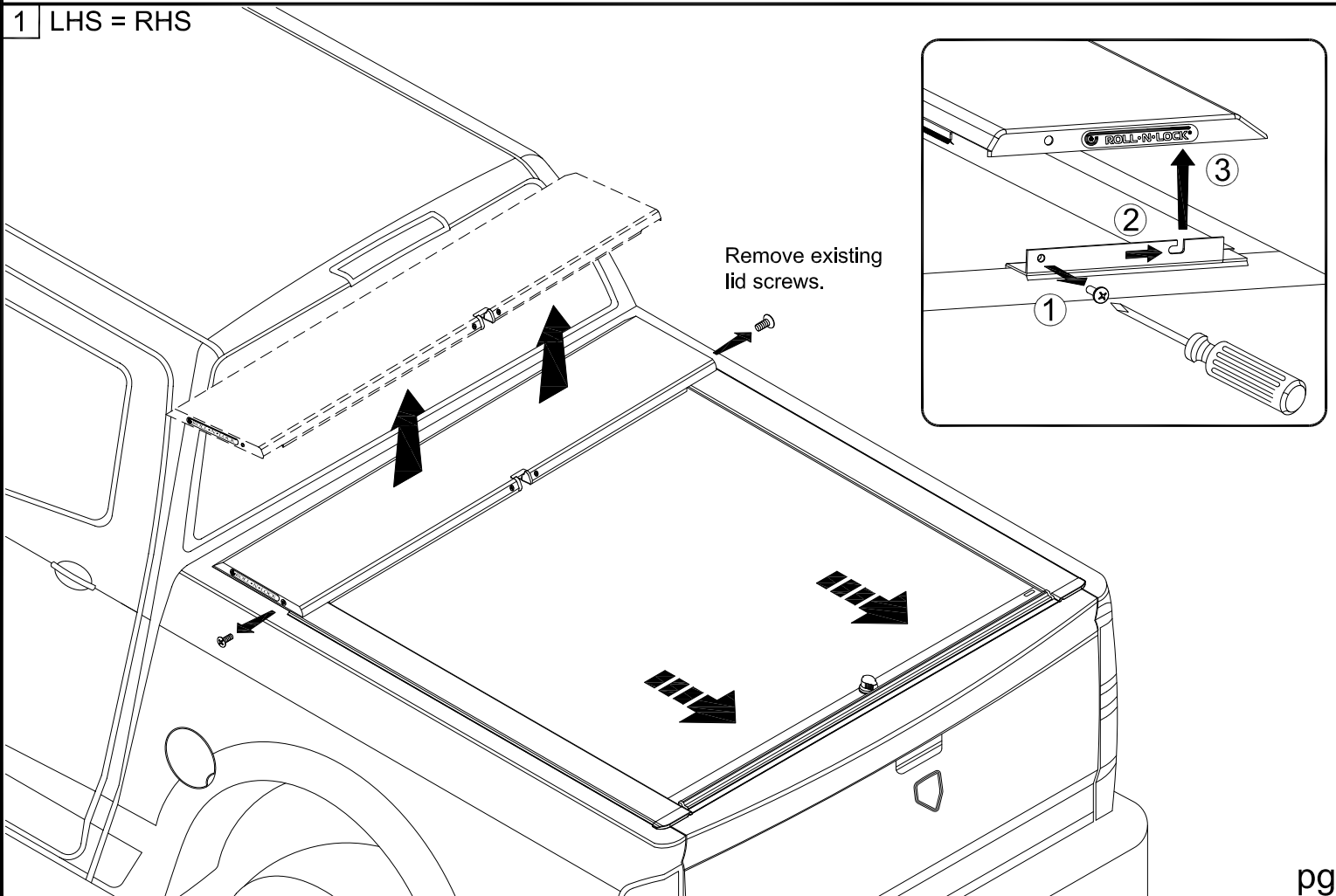


Product Code
QR447

Item	Part Name	Qty.	Item	Part Name	Qty.	Item	Part Name	Qty.
A	Qwikrak Track	2	D	5/16" Lock Washer	6	G	#10-24 X 3/8" Screw	2
B	Cross Bar	2	E	5/16" Nylon Lock Nut	4	H	Cargo Nut	2
C	5/16" x 1" Socket Cap Screw	6	F	5/16" x 3/4" Socket Cap Screw	4	I	1/4" Allen Wrench	1

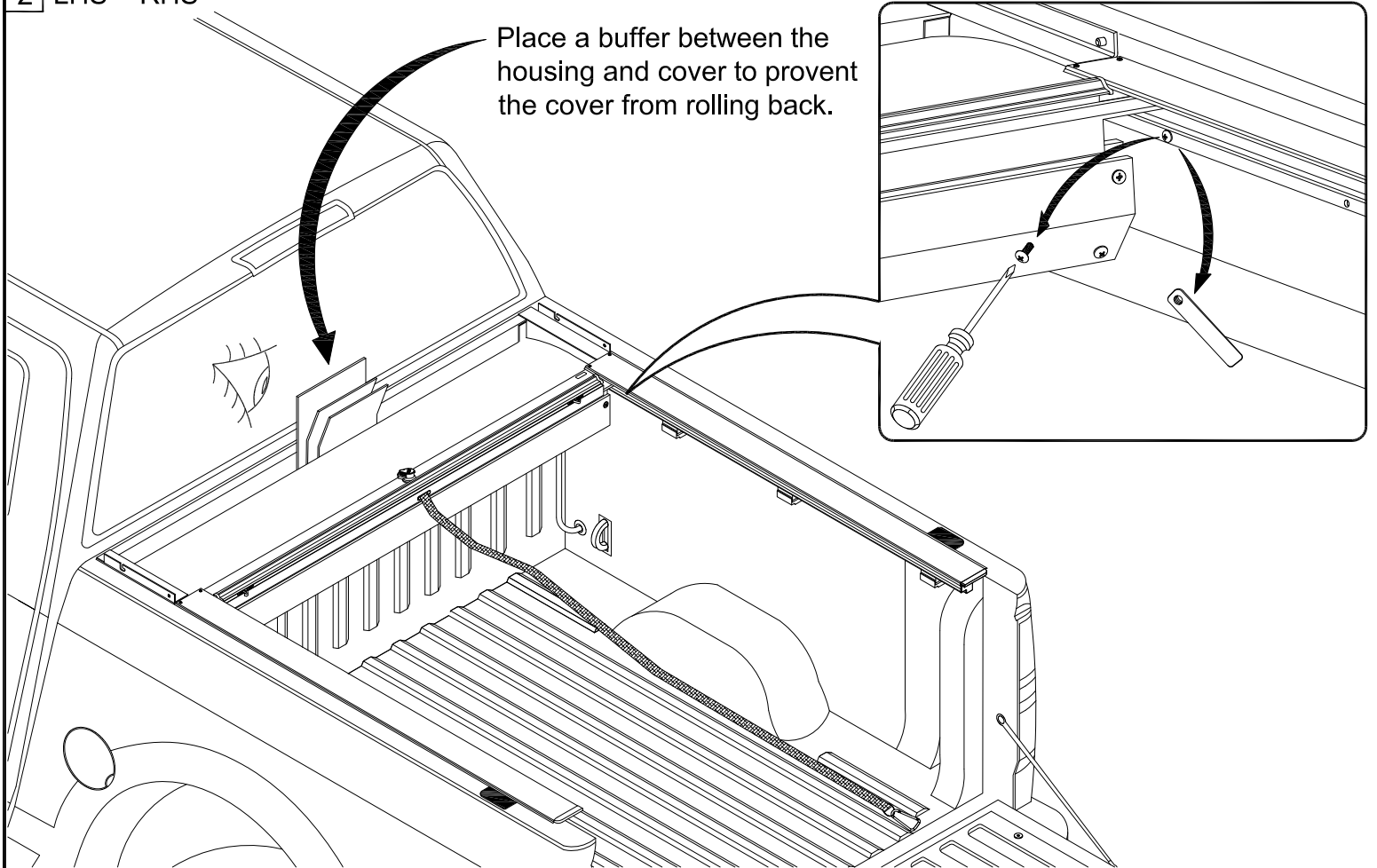


1 LHS = RHS



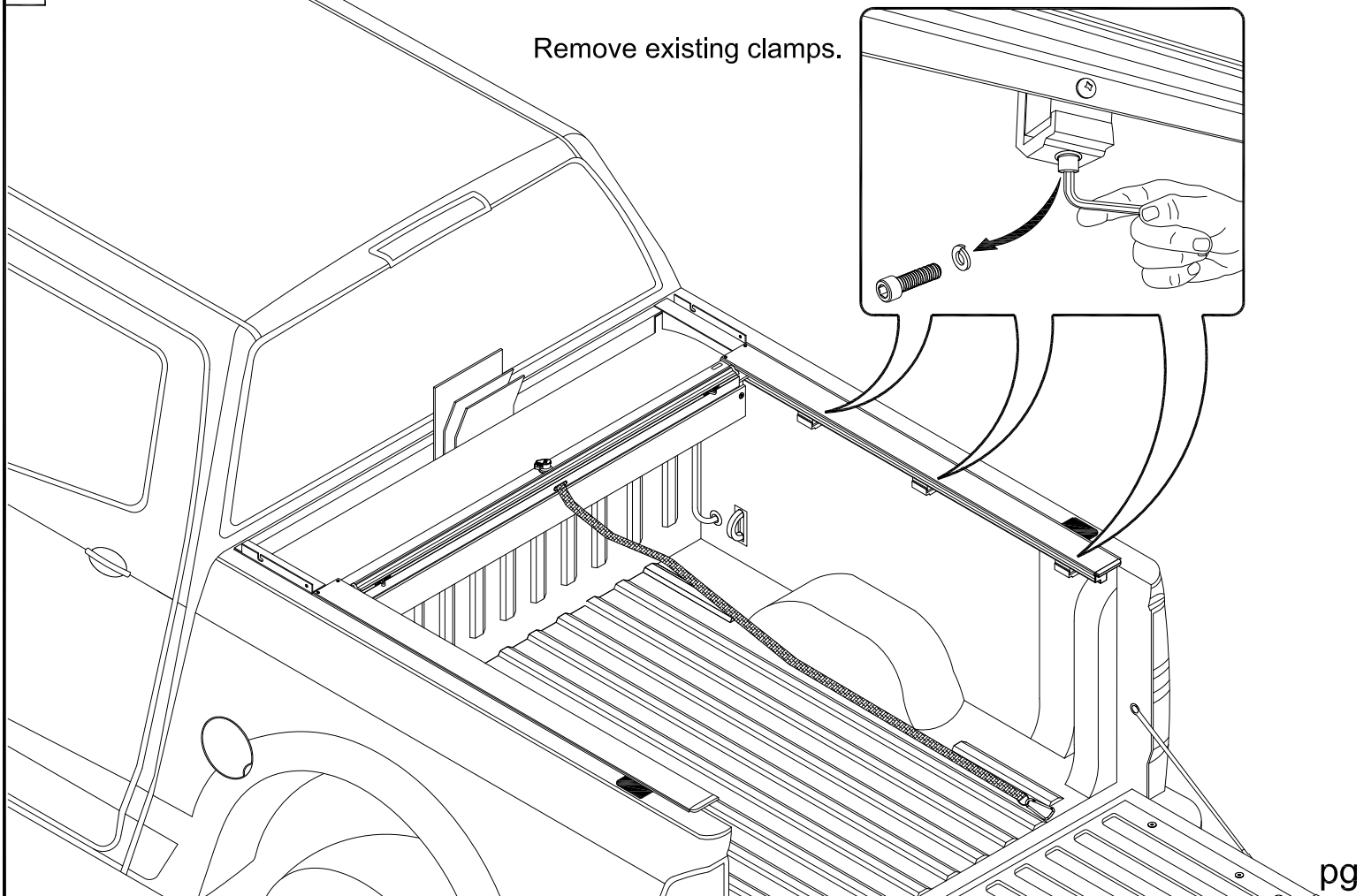
2 LHS = RHS

Place a buffer between the housing and cover to prevent the cover from rolling back.



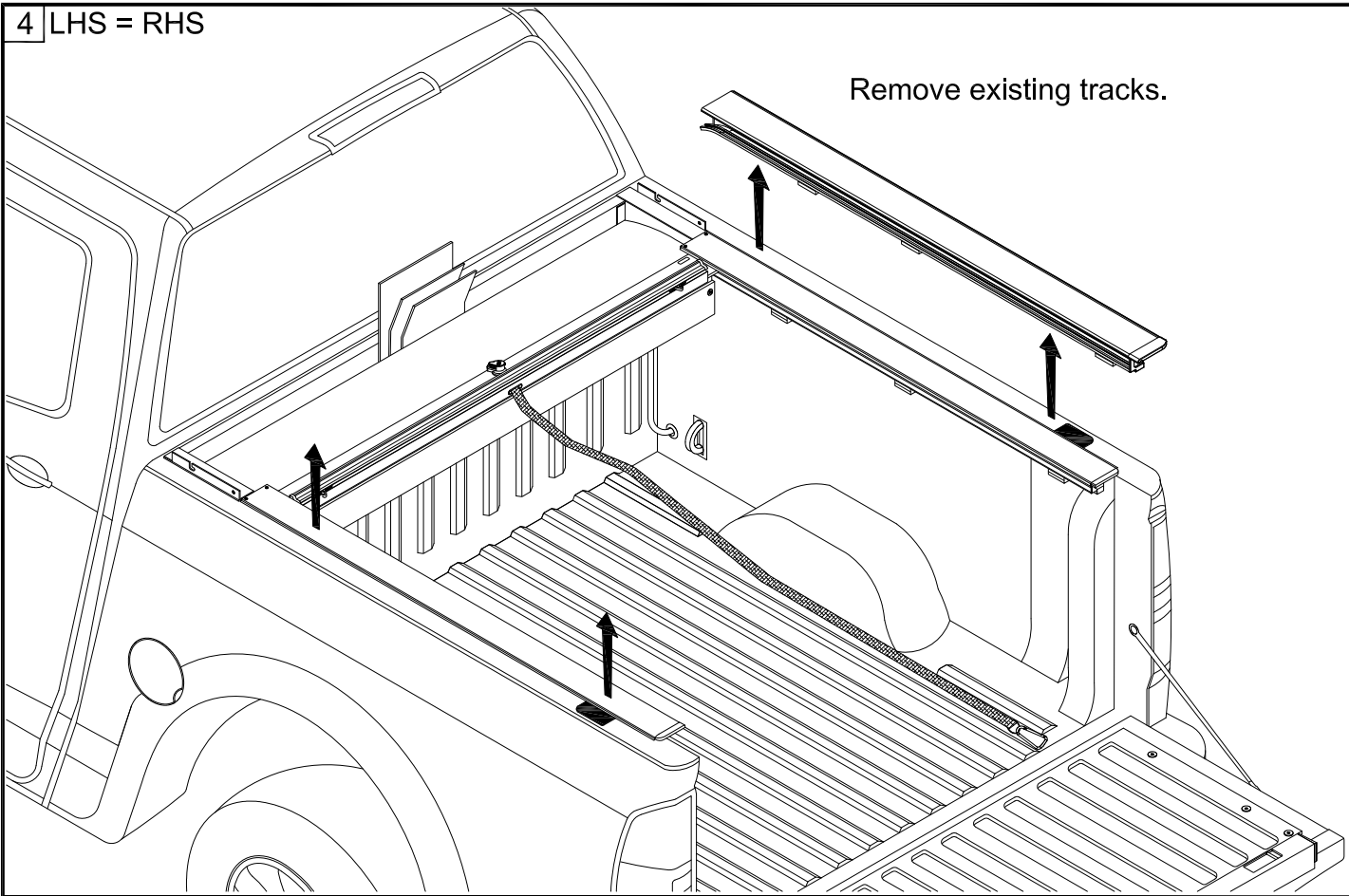
3 LHS = RHS

Remove existing clamps.



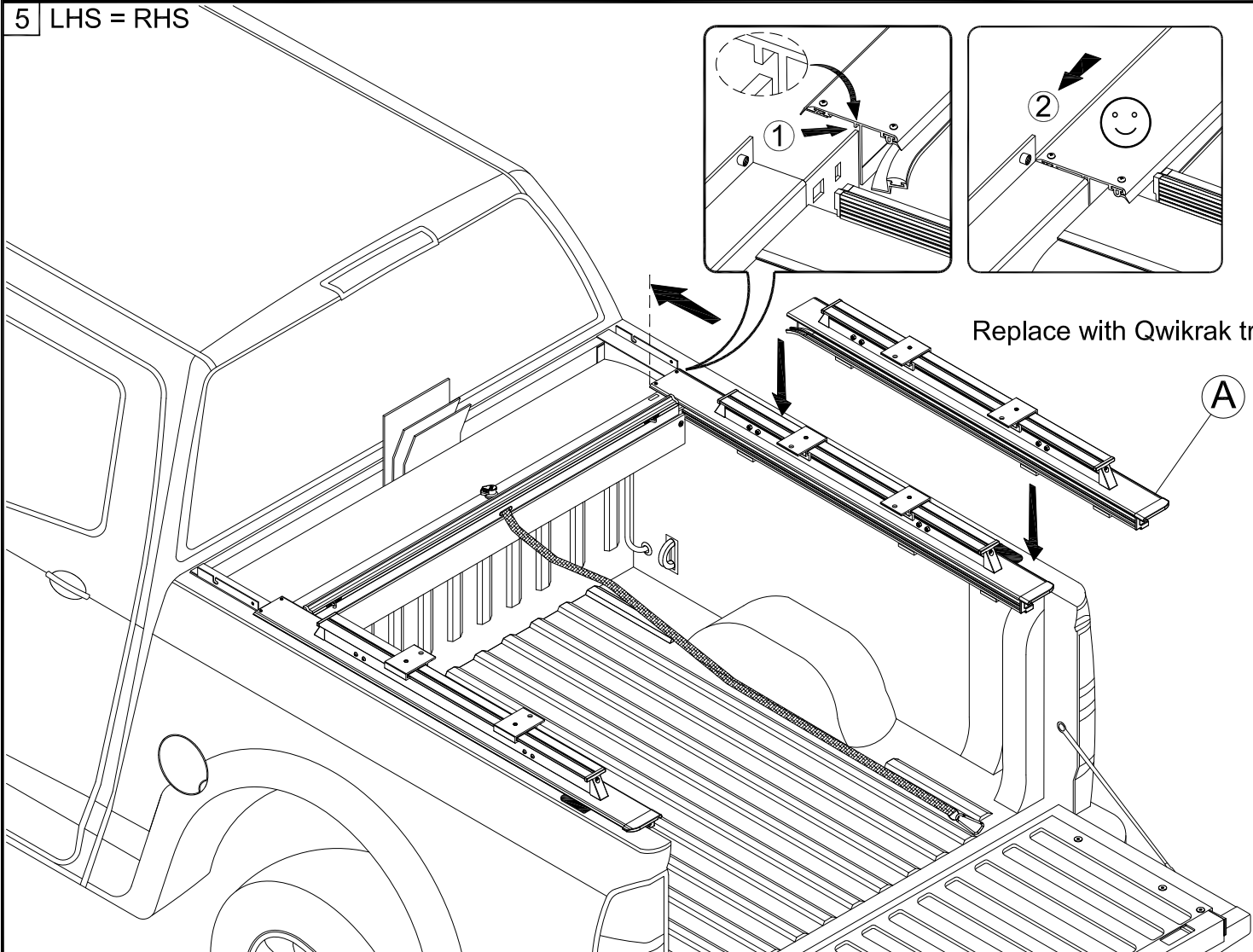
4 LHS = RHS

Remove existing tracks.



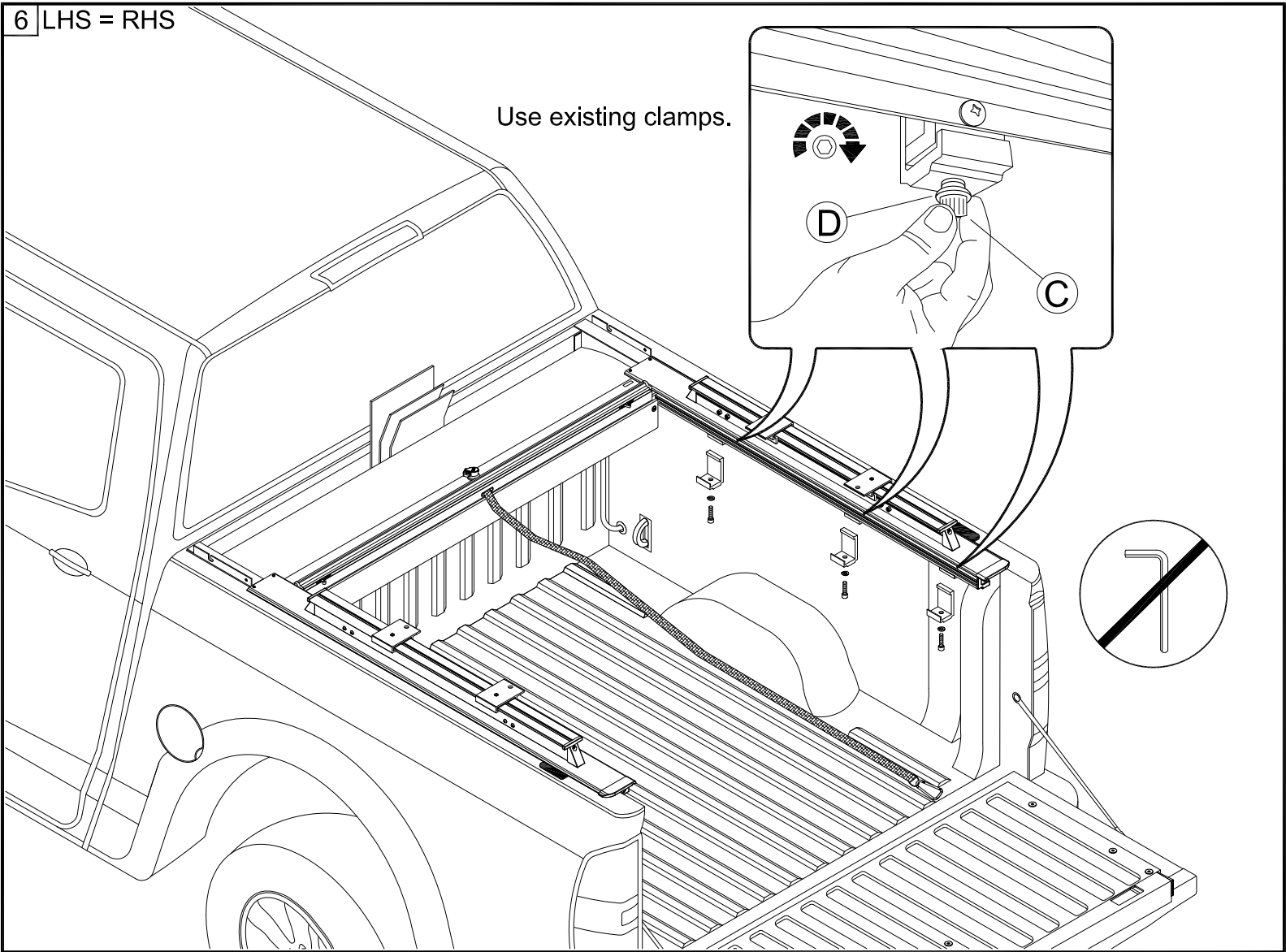
5 LHS = RHS

Replace with Qwikrak tracks.

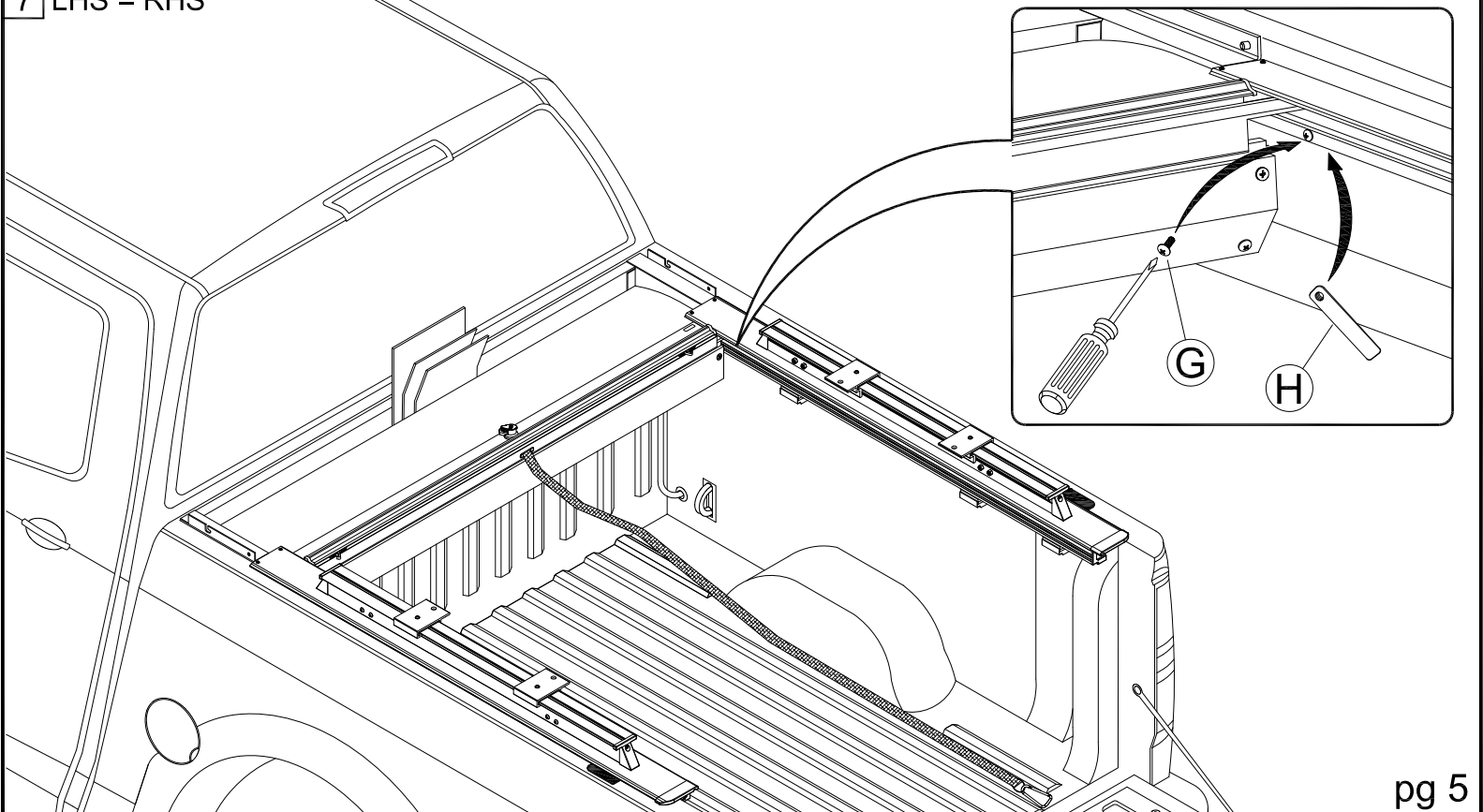


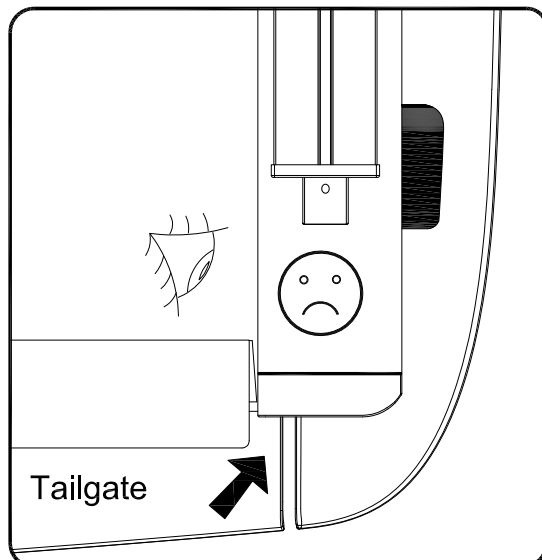
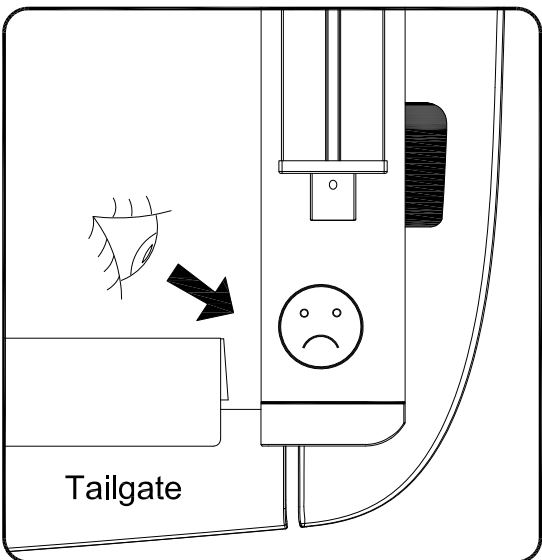
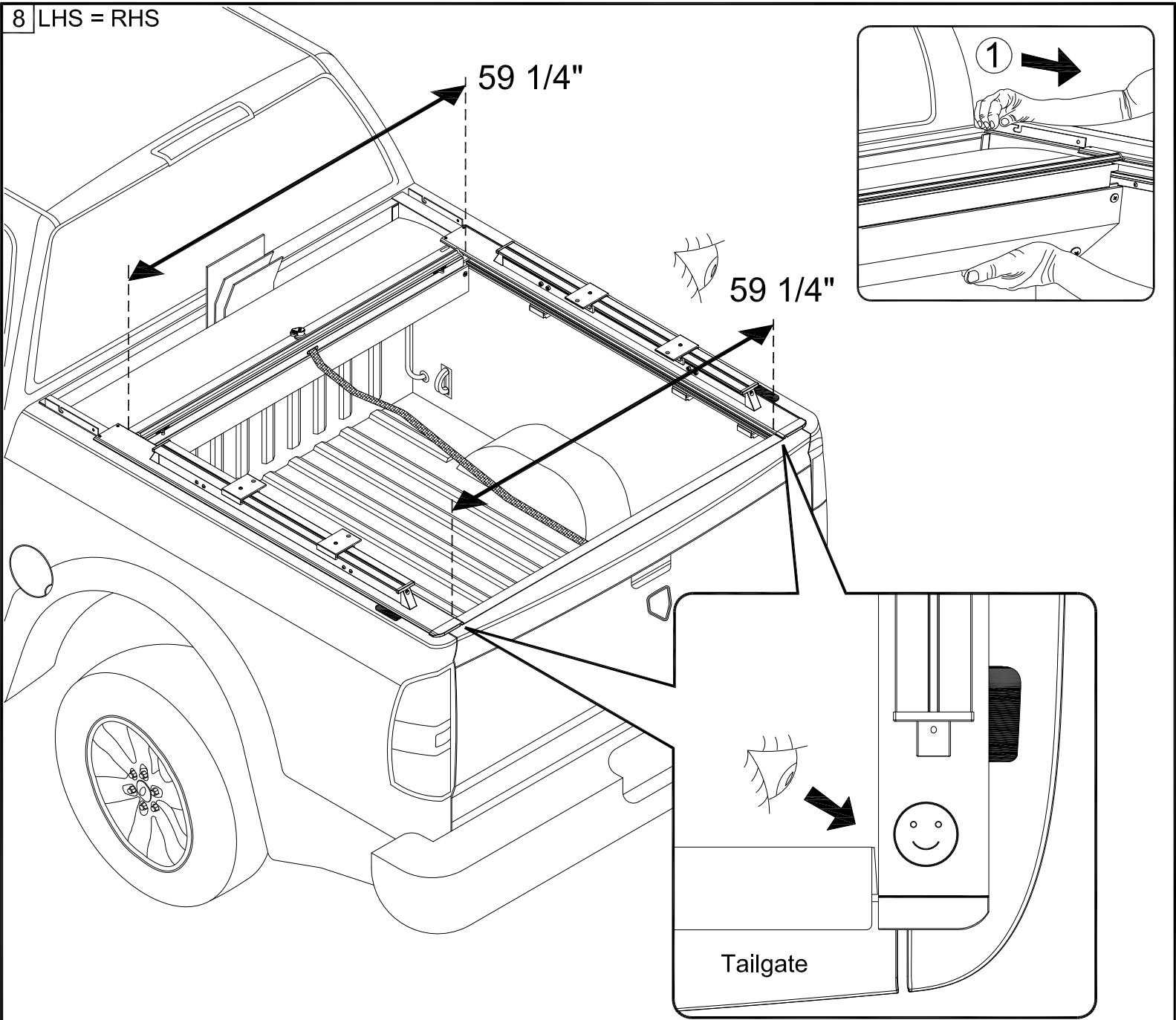
6 LHS = RHS

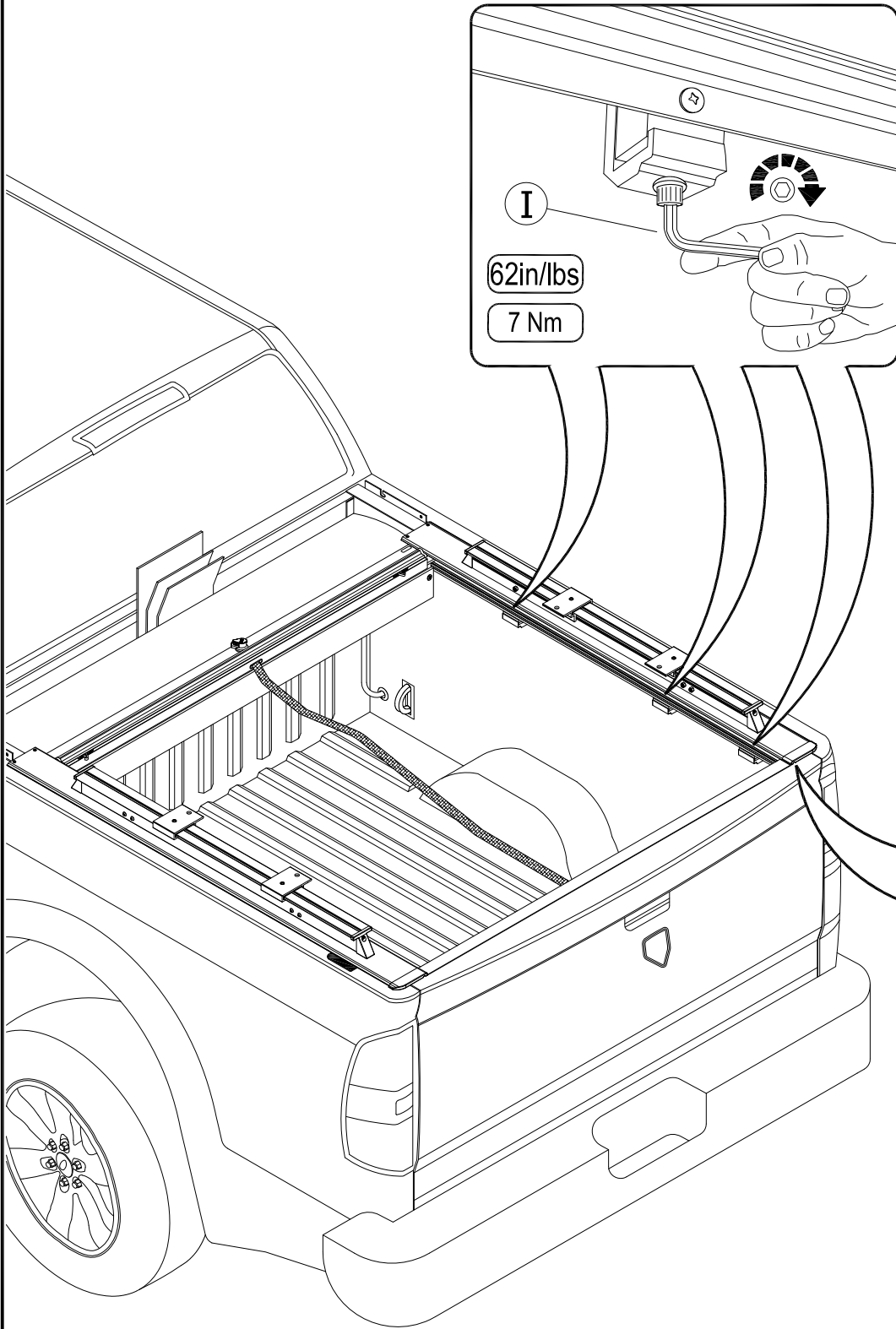
Use existing clamps.



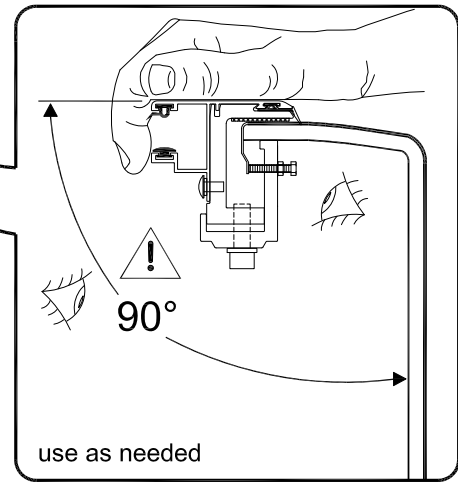
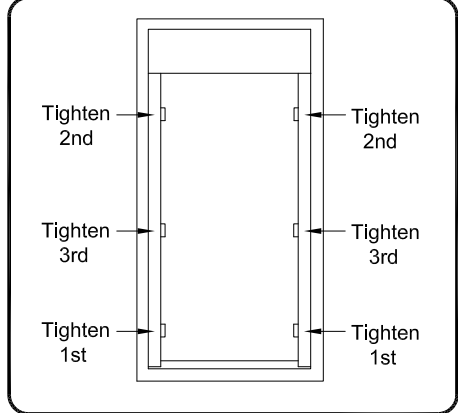
7 LHS = RHS



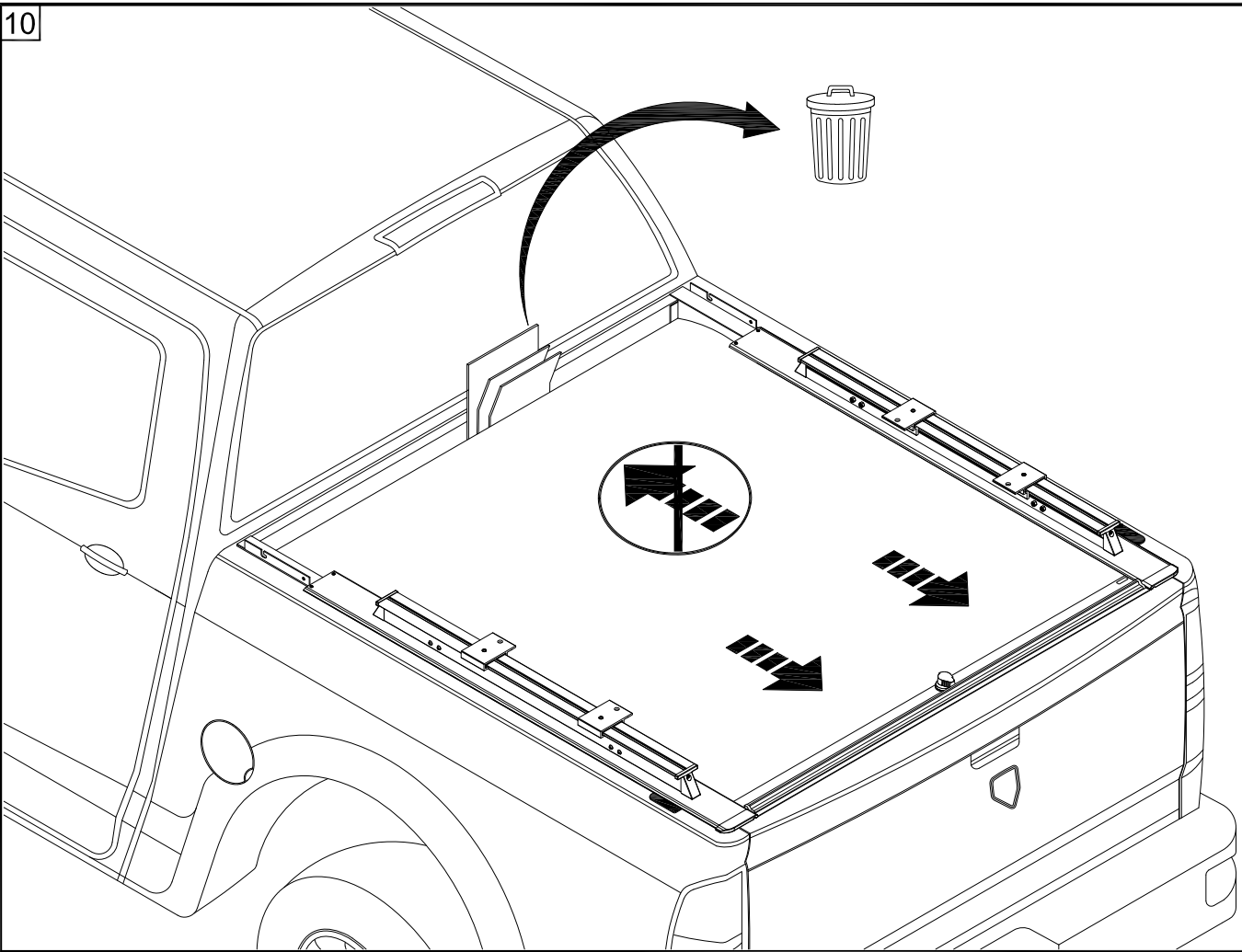




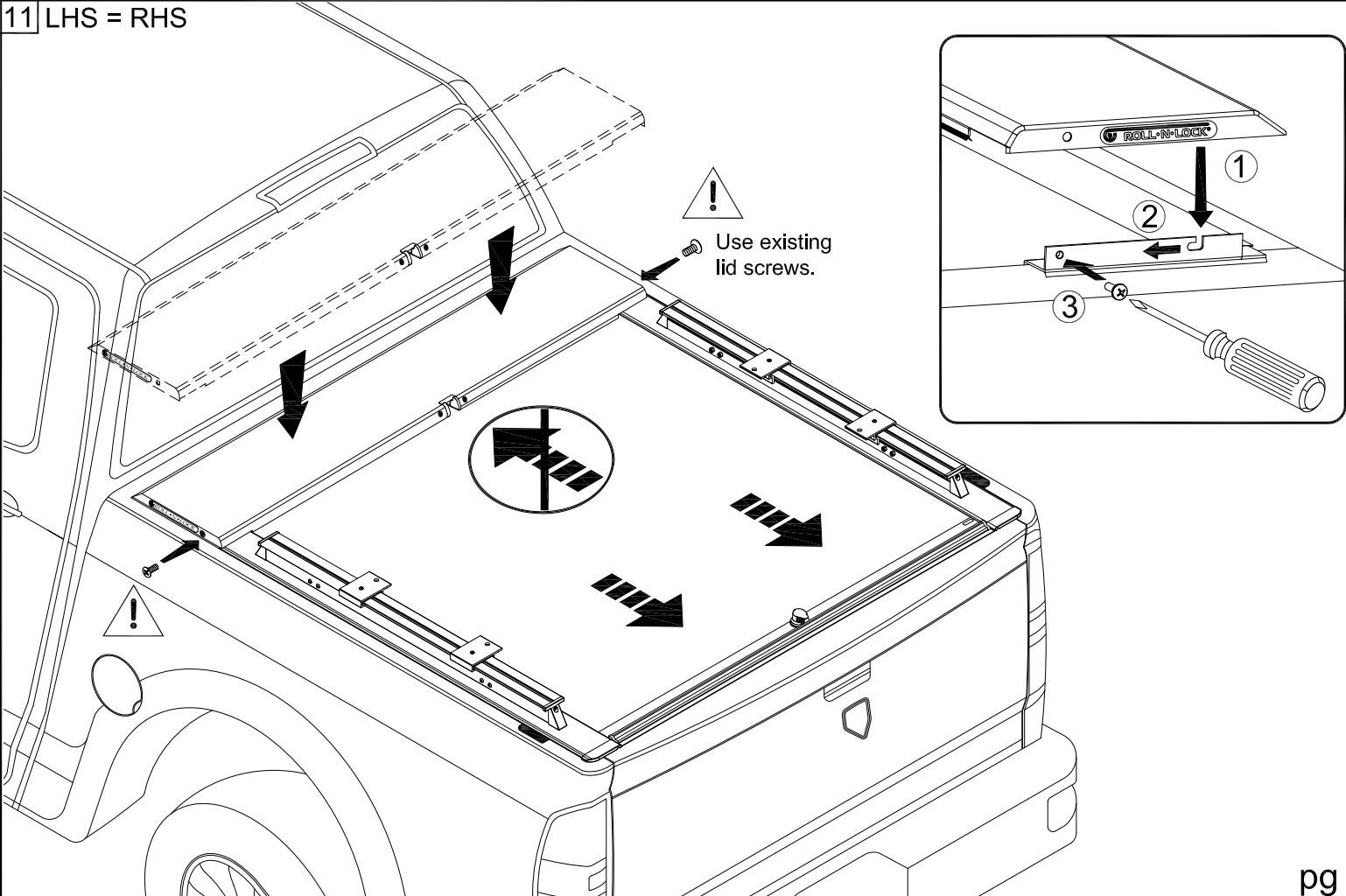
I
62in/lbs
7 Nm



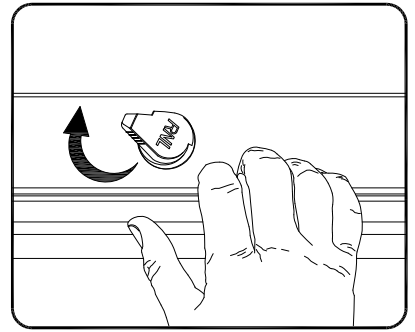
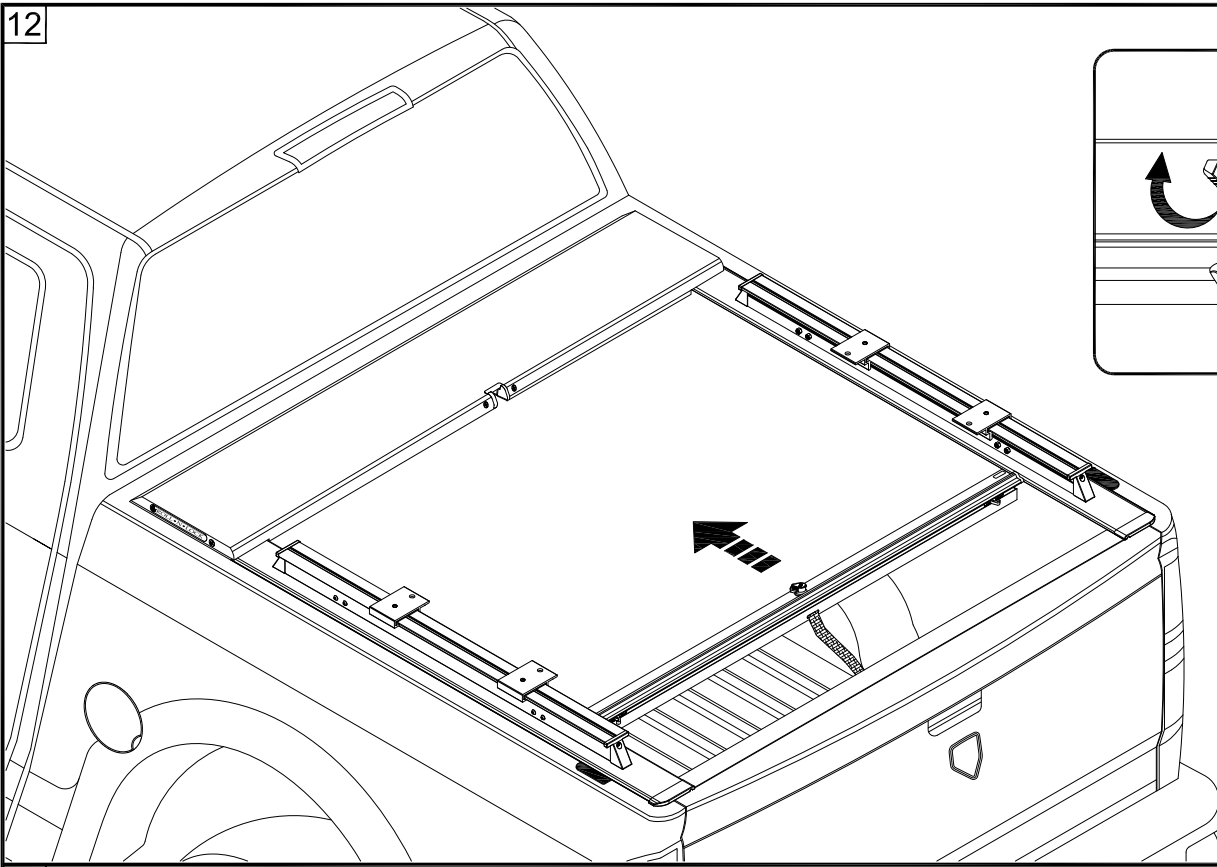
10



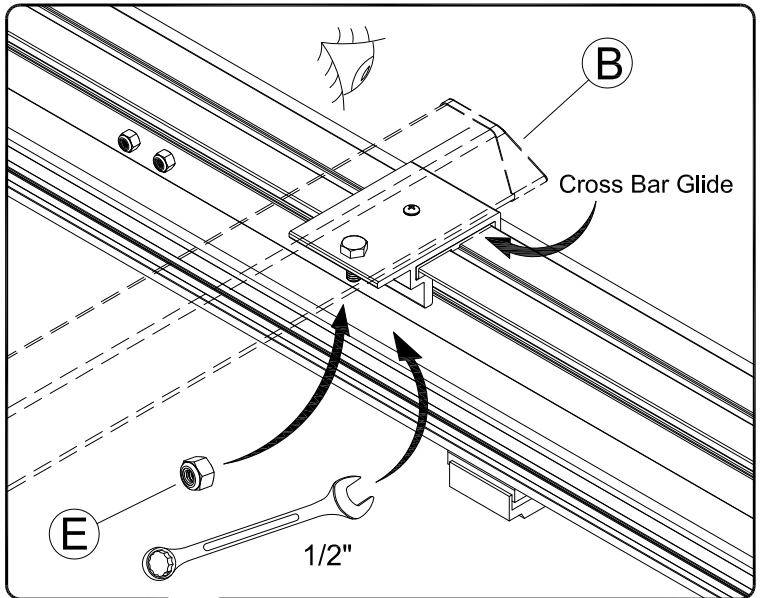
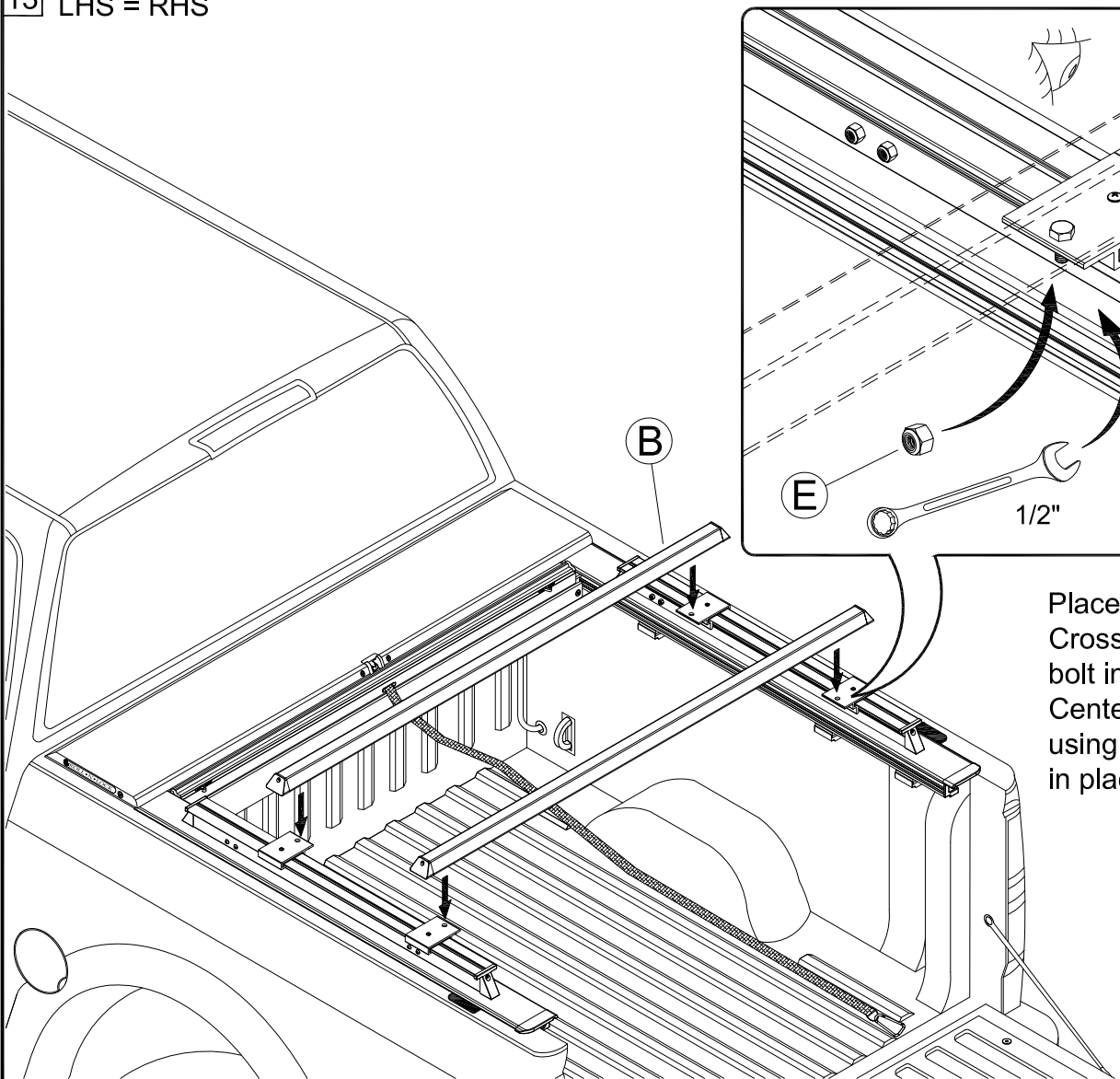
11 LHS = RHS



12

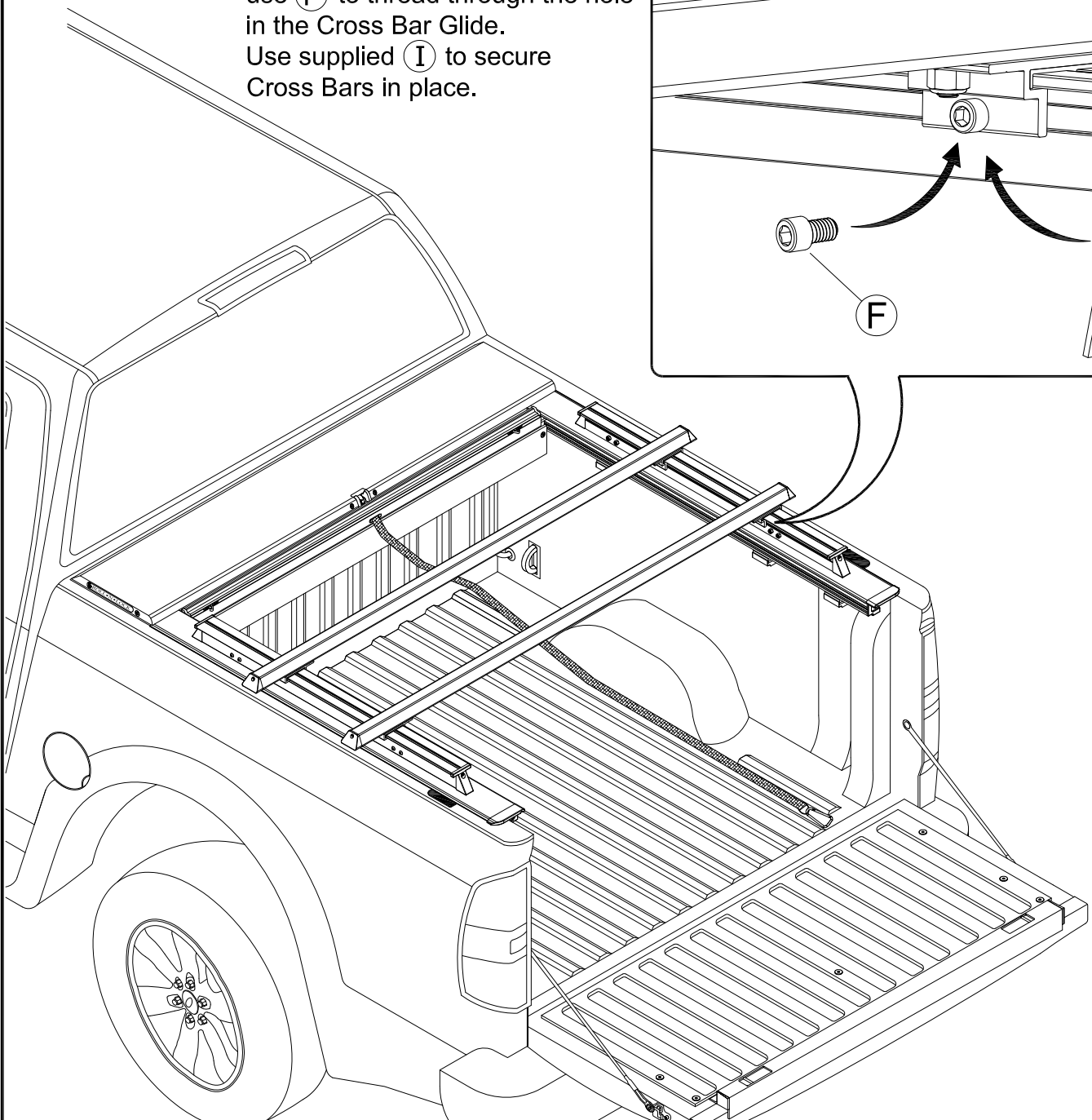


13 LHS = RHS



Place Cross Bar (B) on the Cross Bar Glide aligning the bolt in the hole at each end. Center the Cross Bar before using (E) to secure Cross Bar in place.

Once a desired location for the Cross Bar has been determined use **F** to thread through the hole in the Cross Bar Glide. Use supplied **I** to secure Cross Bars in place.



Any questions please call Customer Service at 800-952-7655
or email customerservice@rollnlock.com