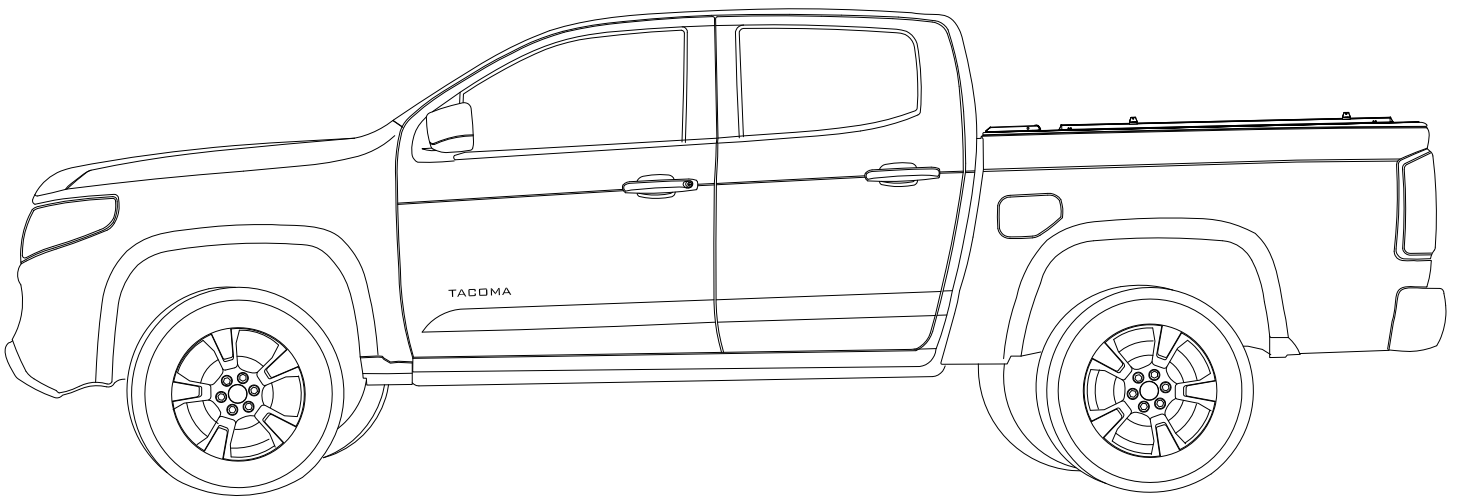




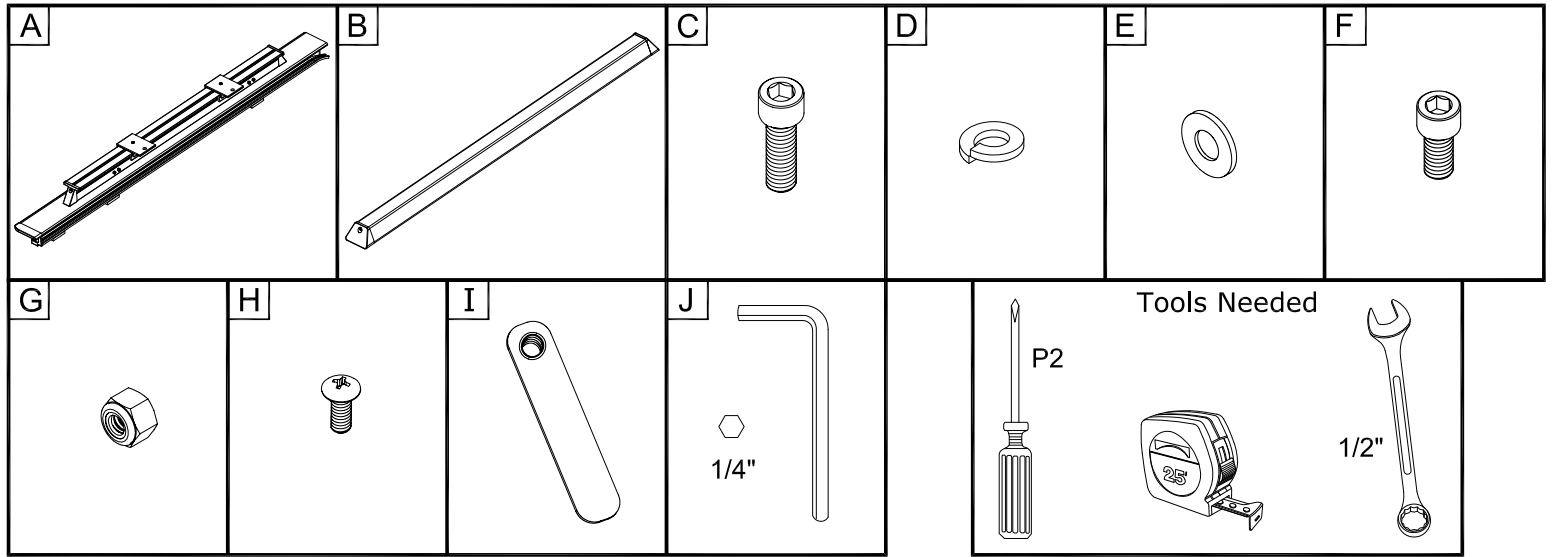
QwikRak Installation Guide

2016 Toyota Tacoma

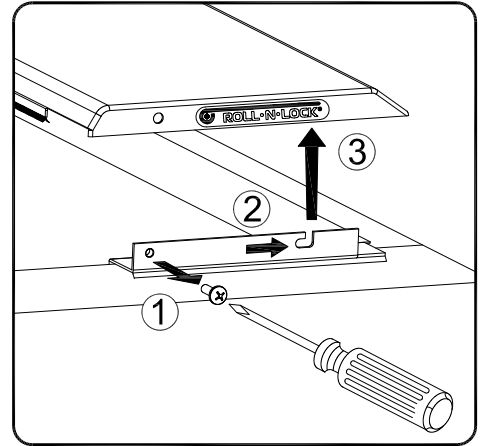
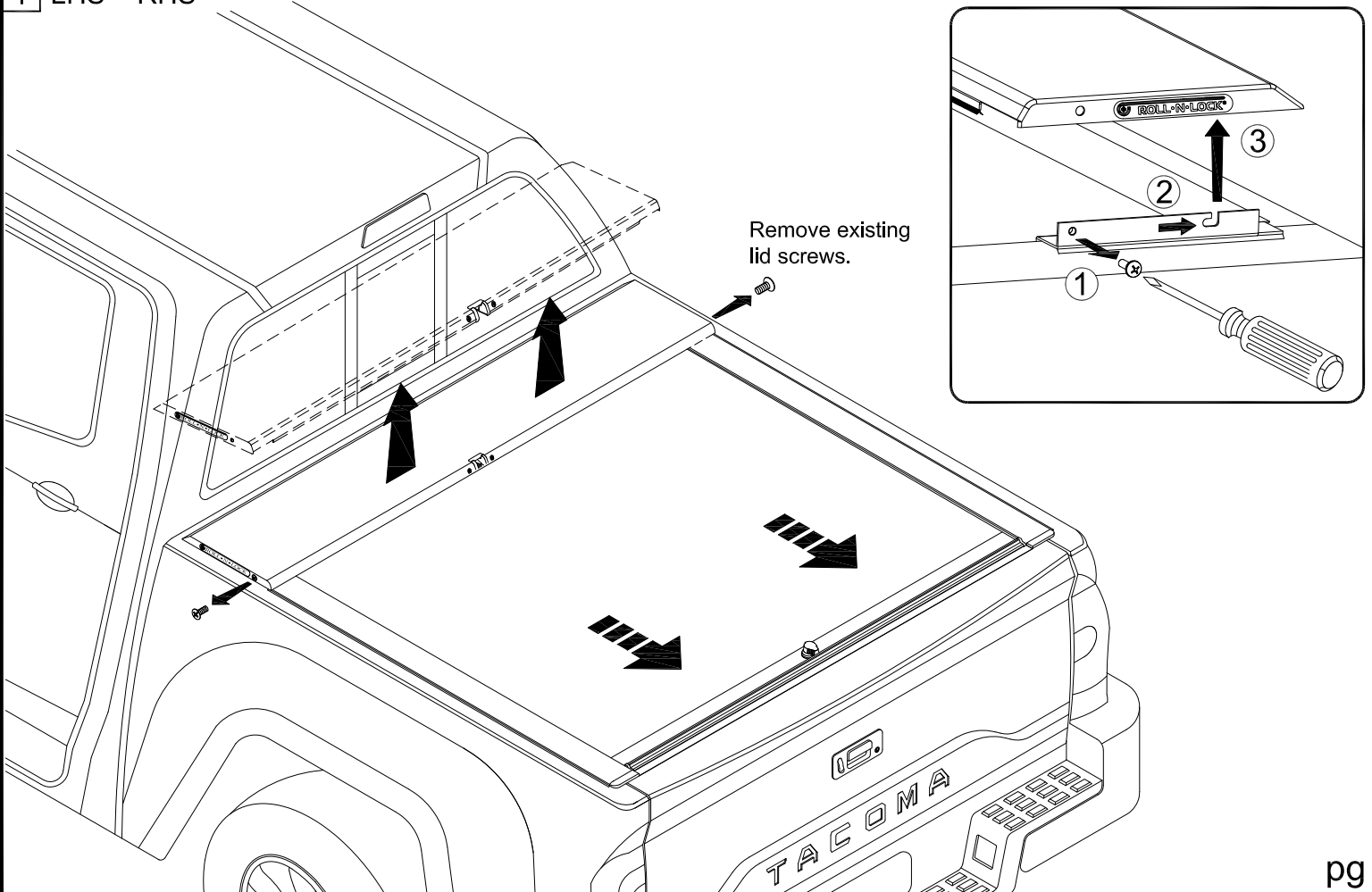


Product Codes
QR530-QR531

Item	Part Name	Qty.	Item	Part Name	Qty.	Item	Part Name	Qty.
A	Qwikrak Track	2	D	5/16" Lock Washer	6	G	5/16" Nylon Lock Nut	4
B	Cross Bar	2	E	5/16" Flat Washer	6	H	#10-24 X 3/8" Screw	2
C	5/16" x 1" Socket Cap Screw	6	F	5/16" x 3/4" Socket Cap Screw	4	I	Cargo Nut	2
						J	1/4" Allen Wrench	1

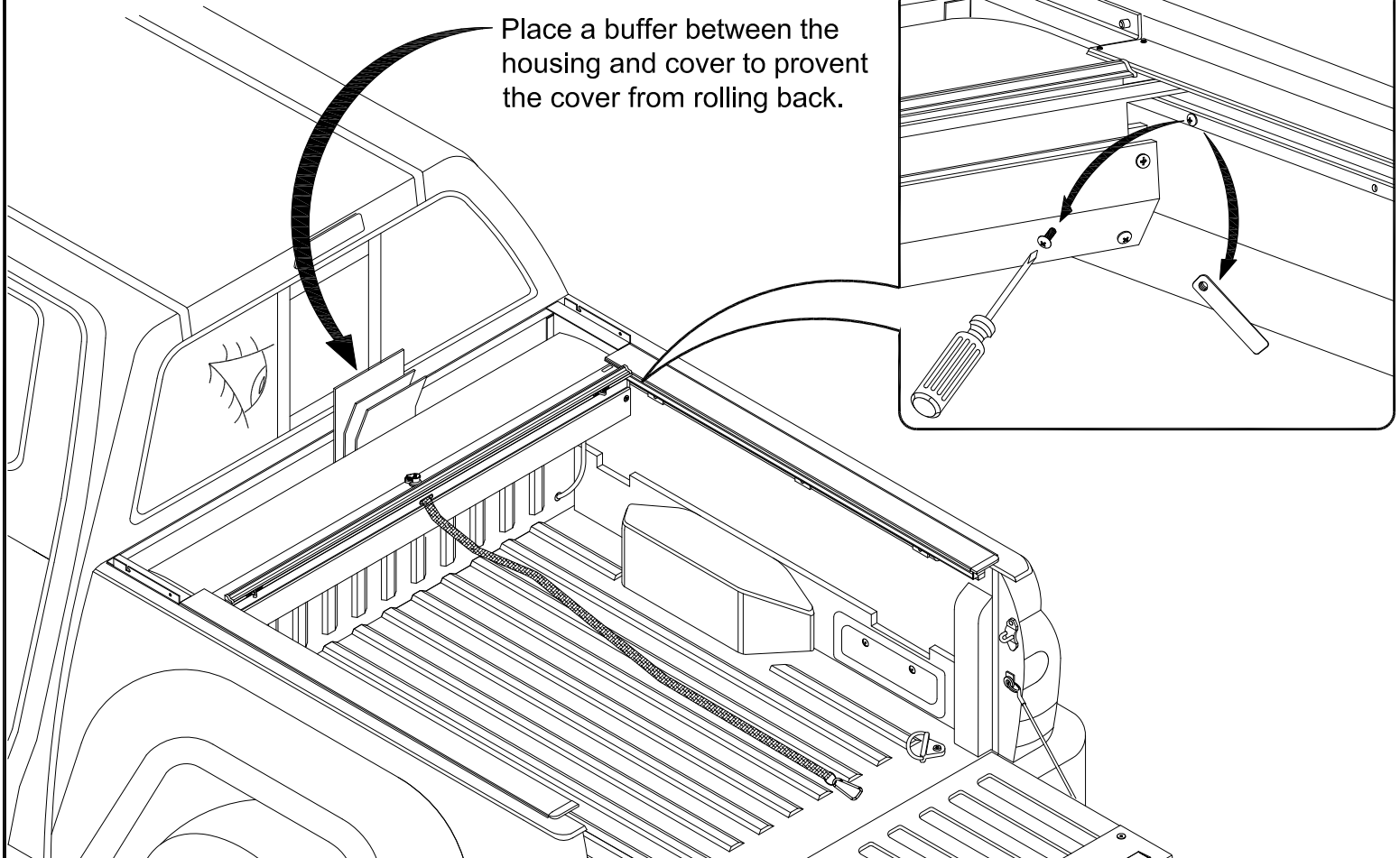


1 LHS = RHS



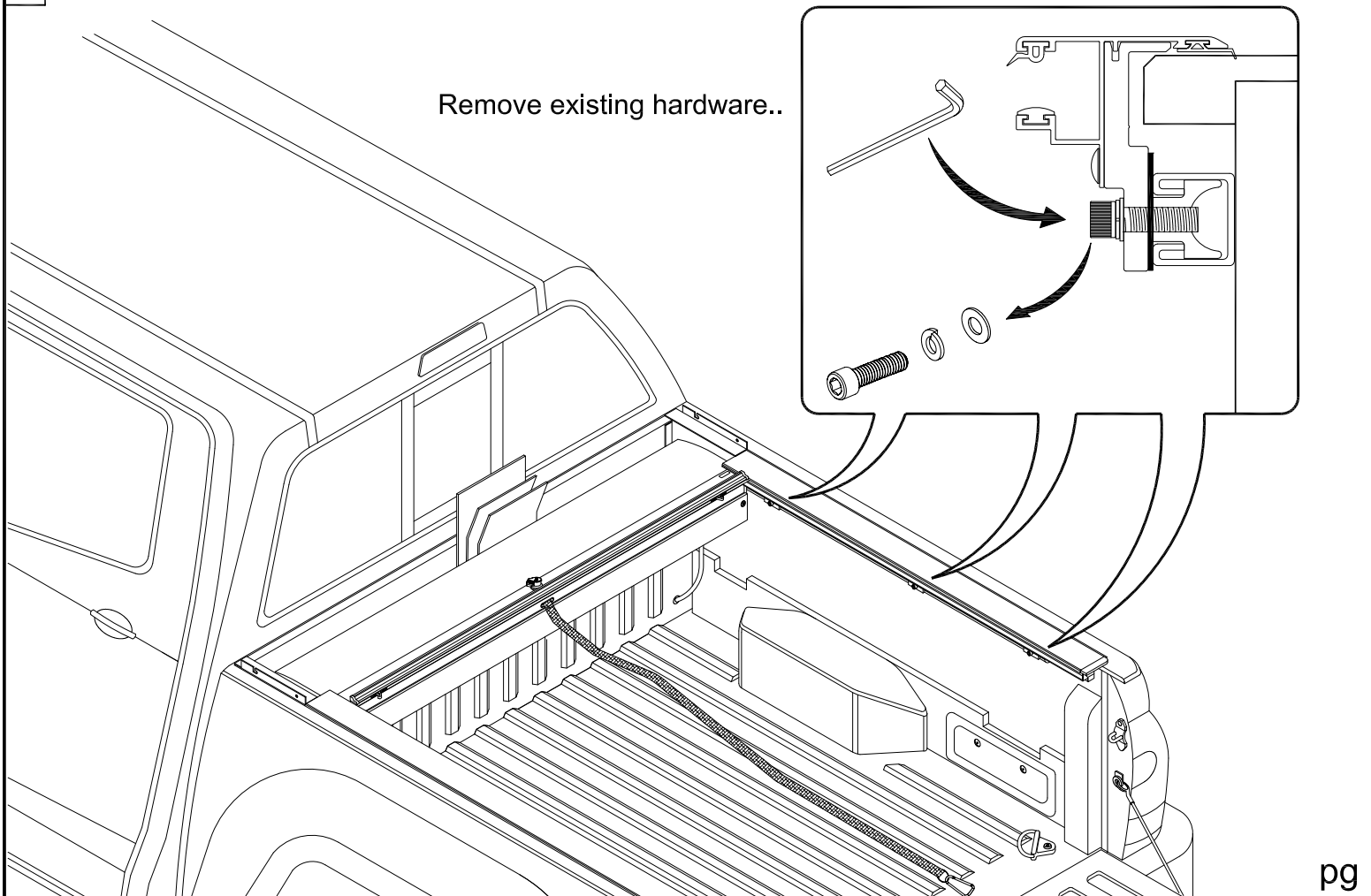
2 LHS = RHS

Place a buffer between the housing and cover to prevent the cover from rolling back.

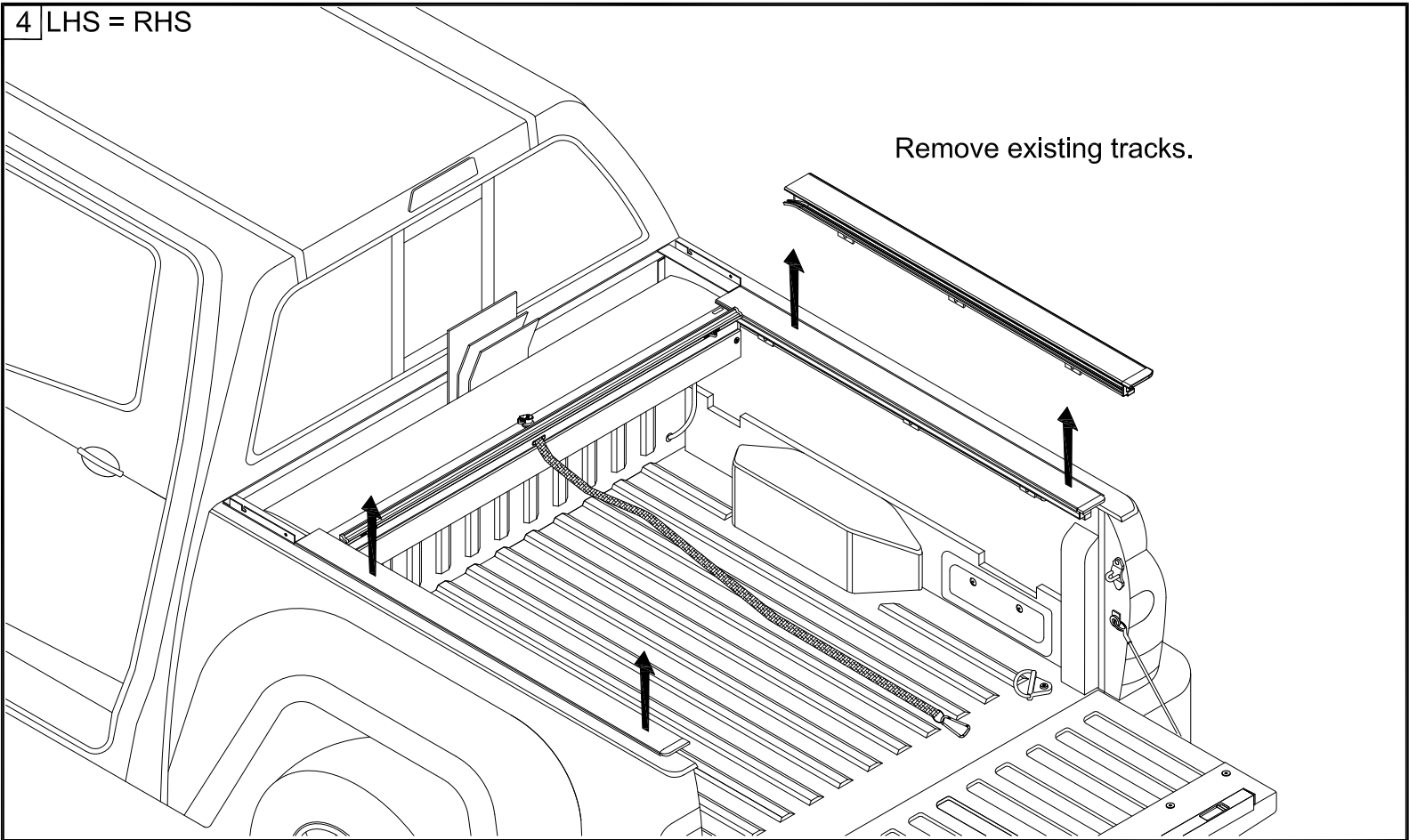


3 LHS = RHS

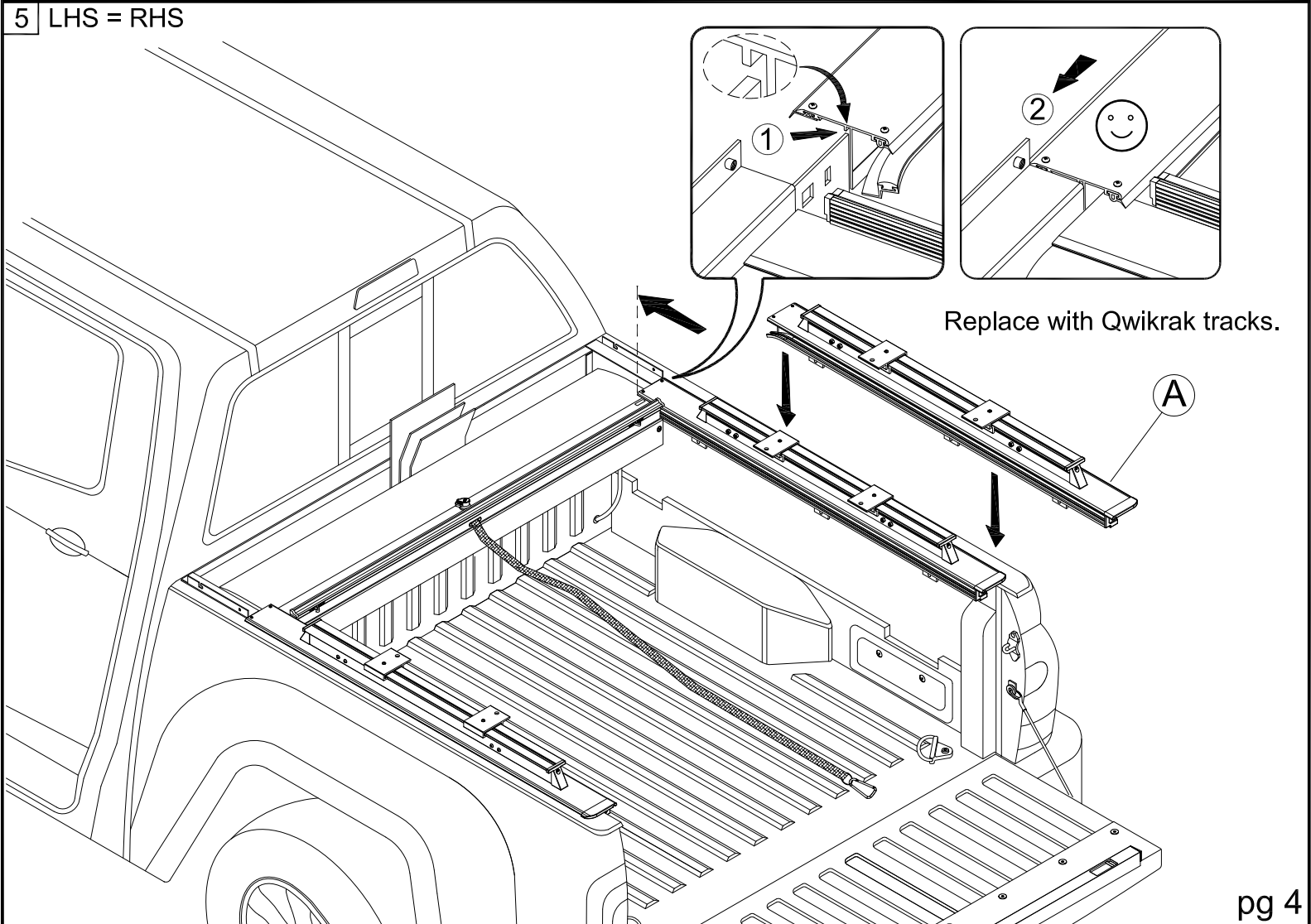
Remove existing hardware..



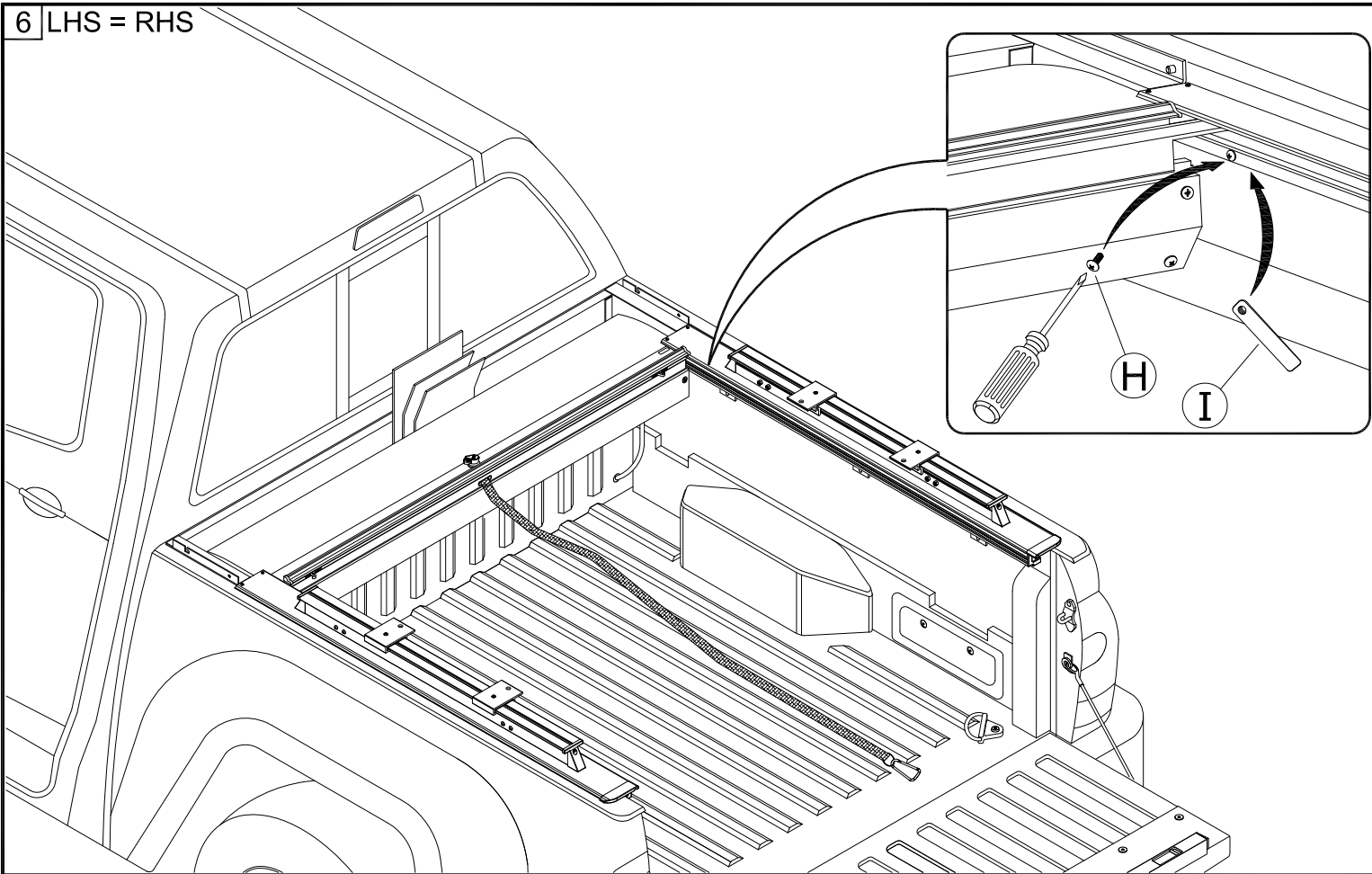
4 LHS = RHS



5 LHS = RHS

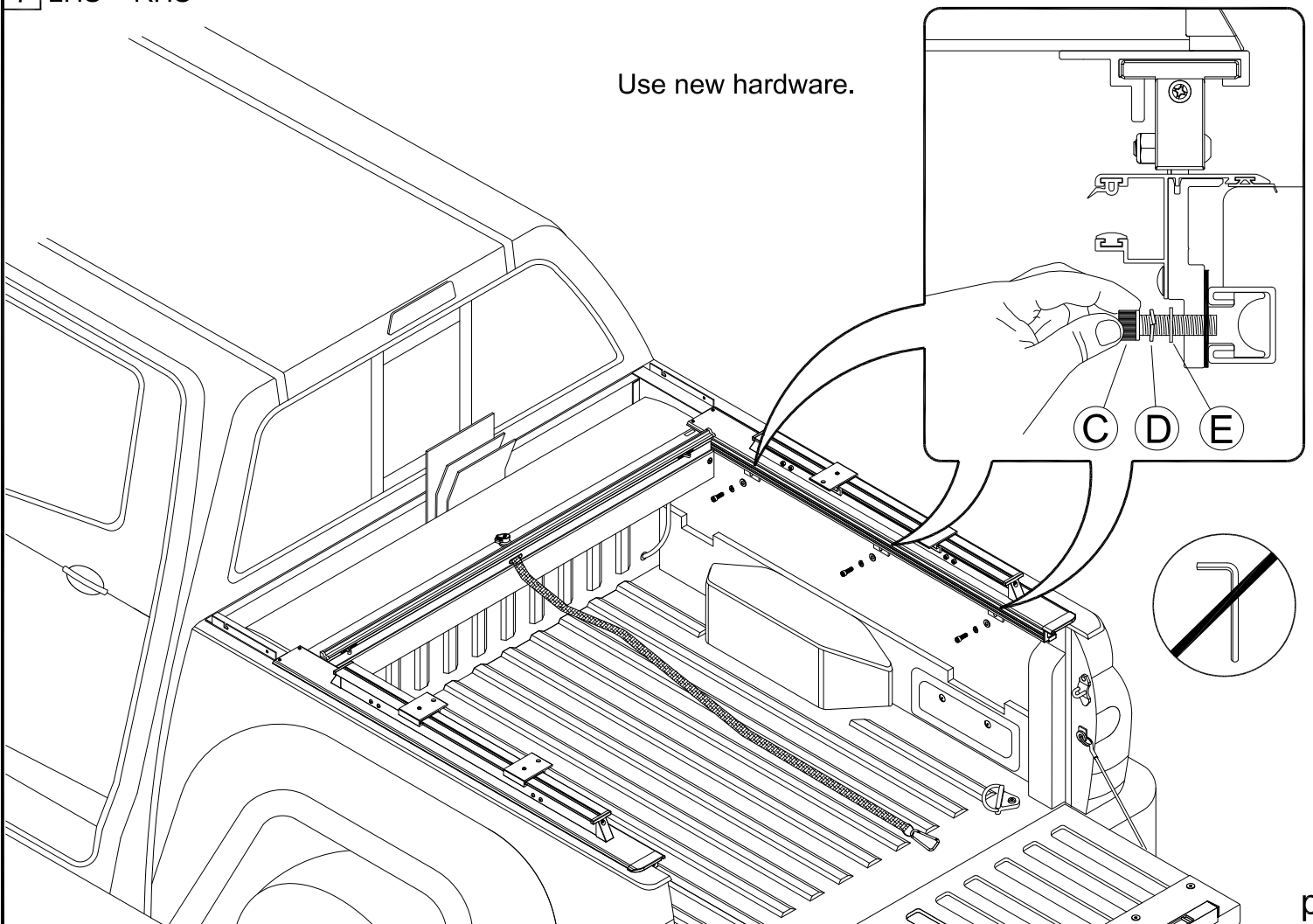


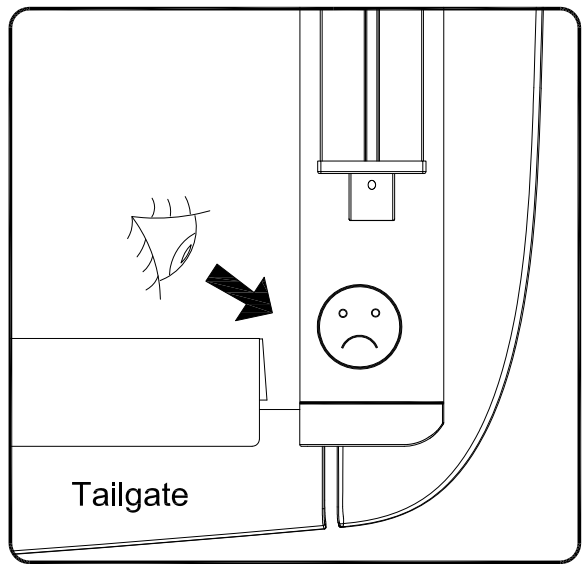
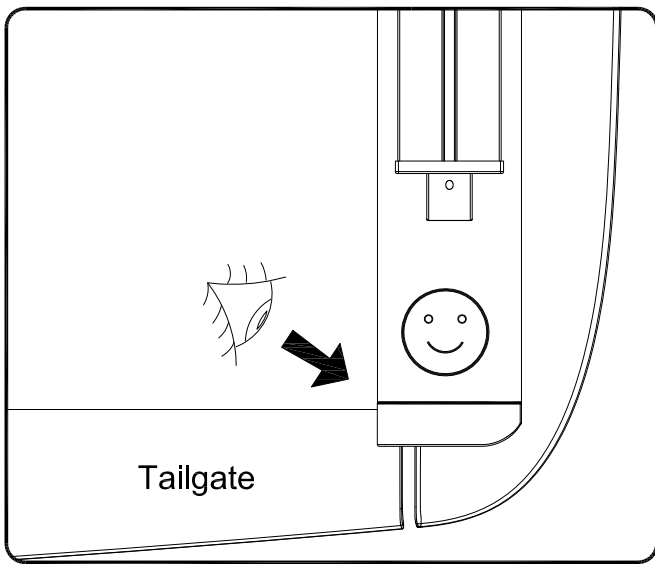
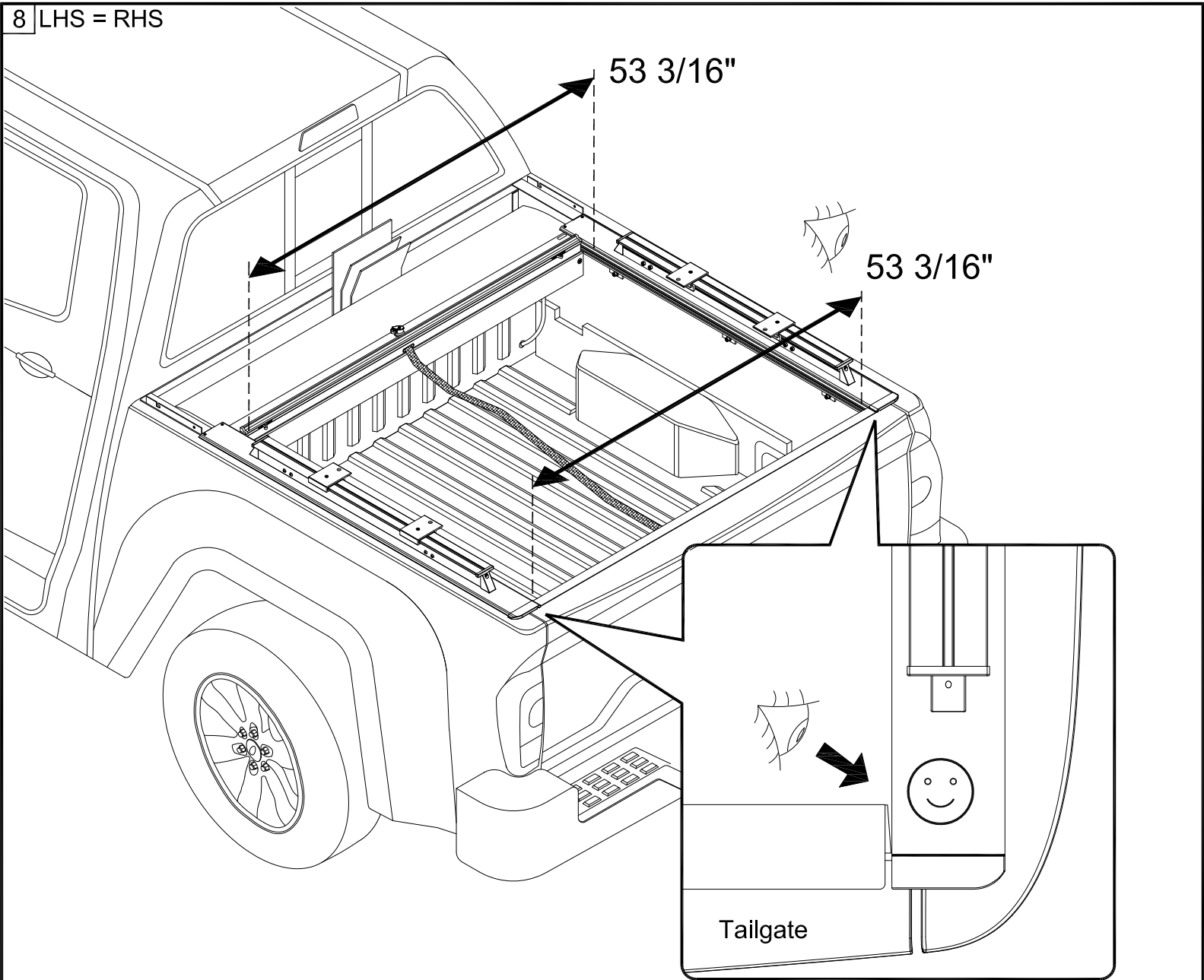
6 LHS = RHS



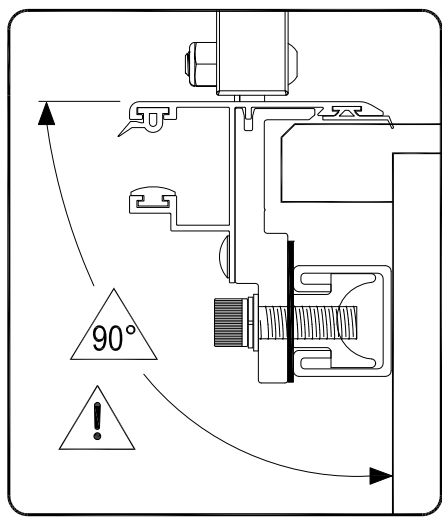
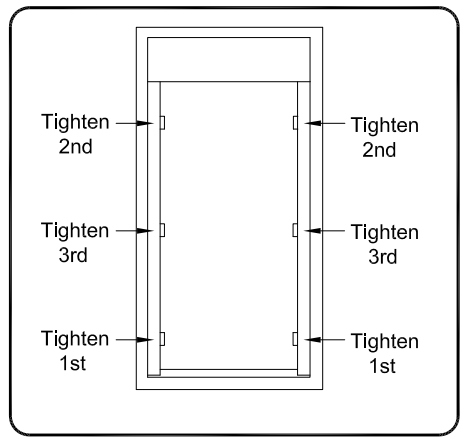
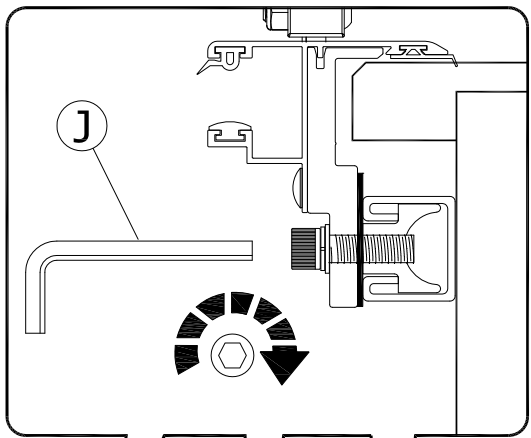
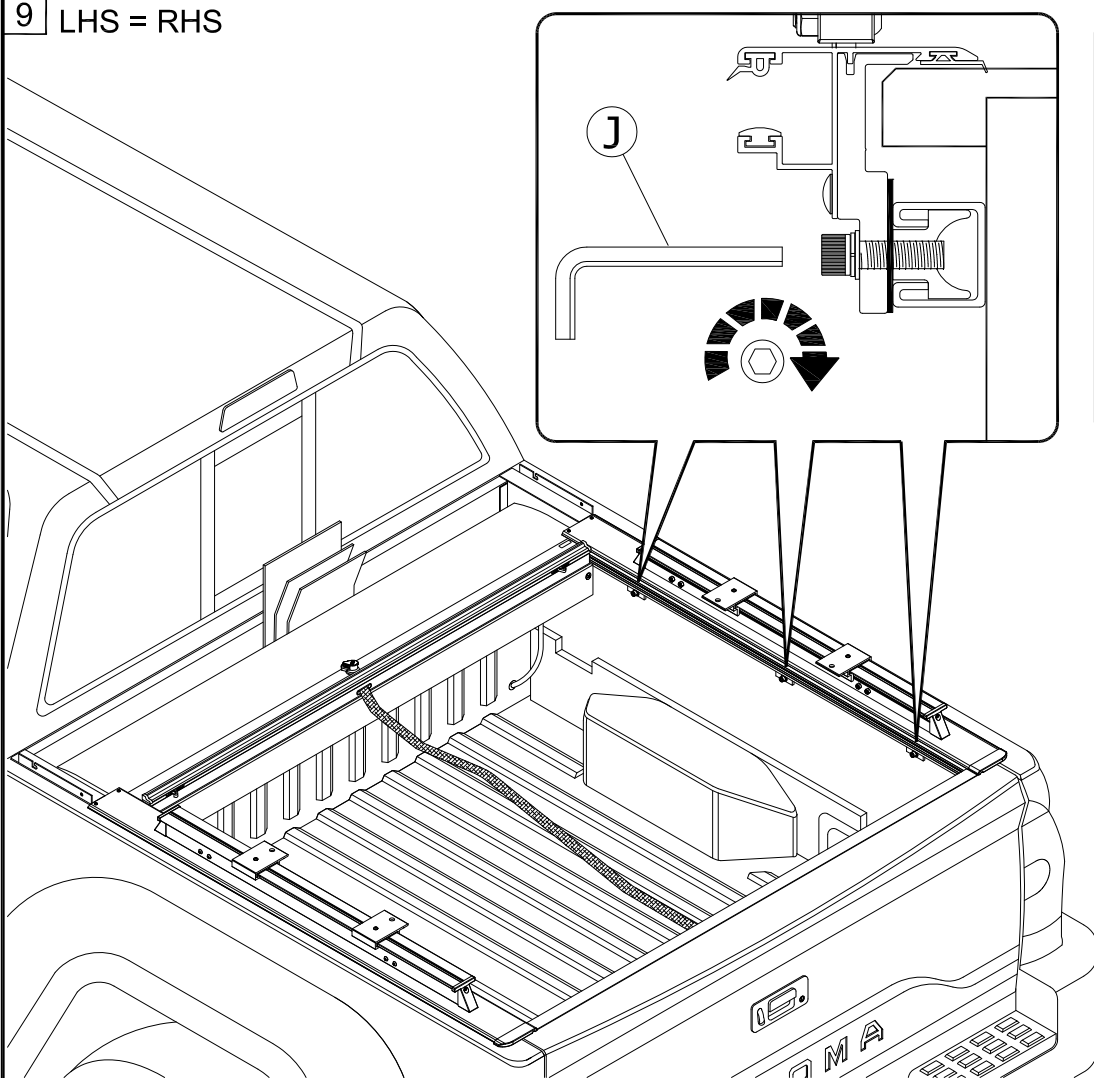
7 LHS = RHS

Use new hardware.



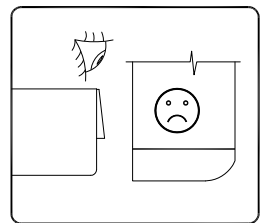


With out Tailgate Extrusion.

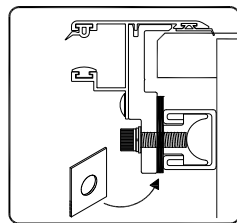


Trouble Shooting

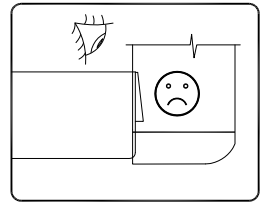
Gap between the track and tailgate extrusion.



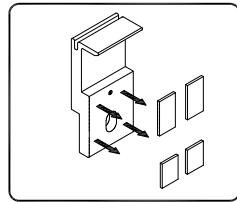
Add supplied shim to rear clamp.



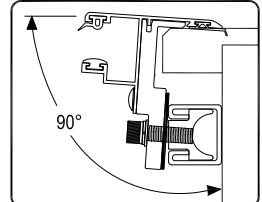
Track hits the tailgate extrusion.



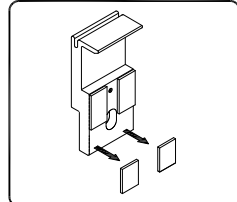
Remove all shims from rear clamps.



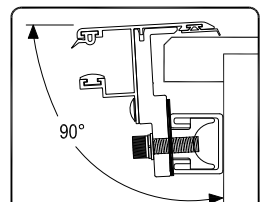
Track tips up.



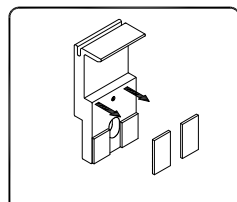
Remove bottom shims from rear clamps.



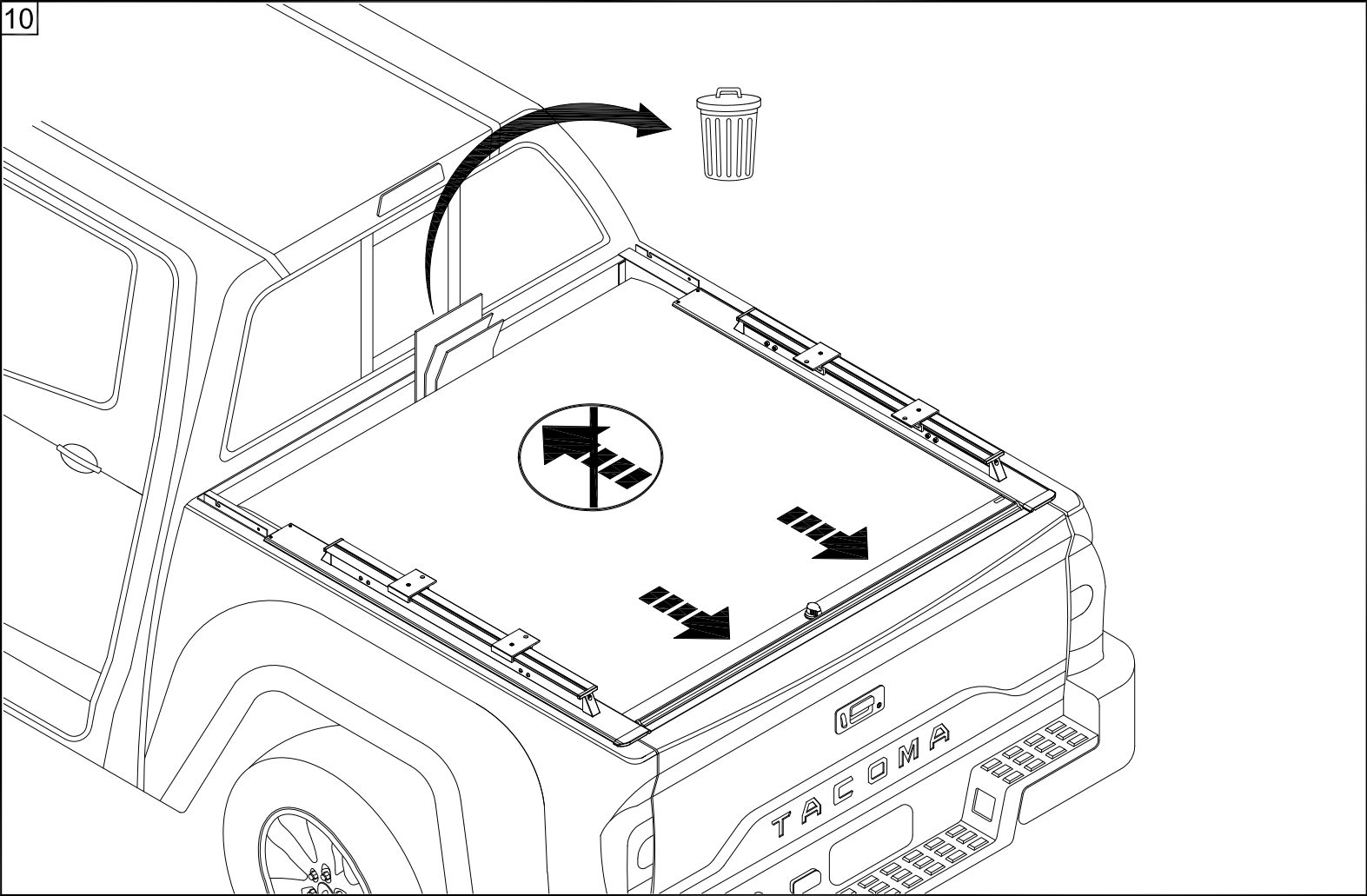
Track tips down.



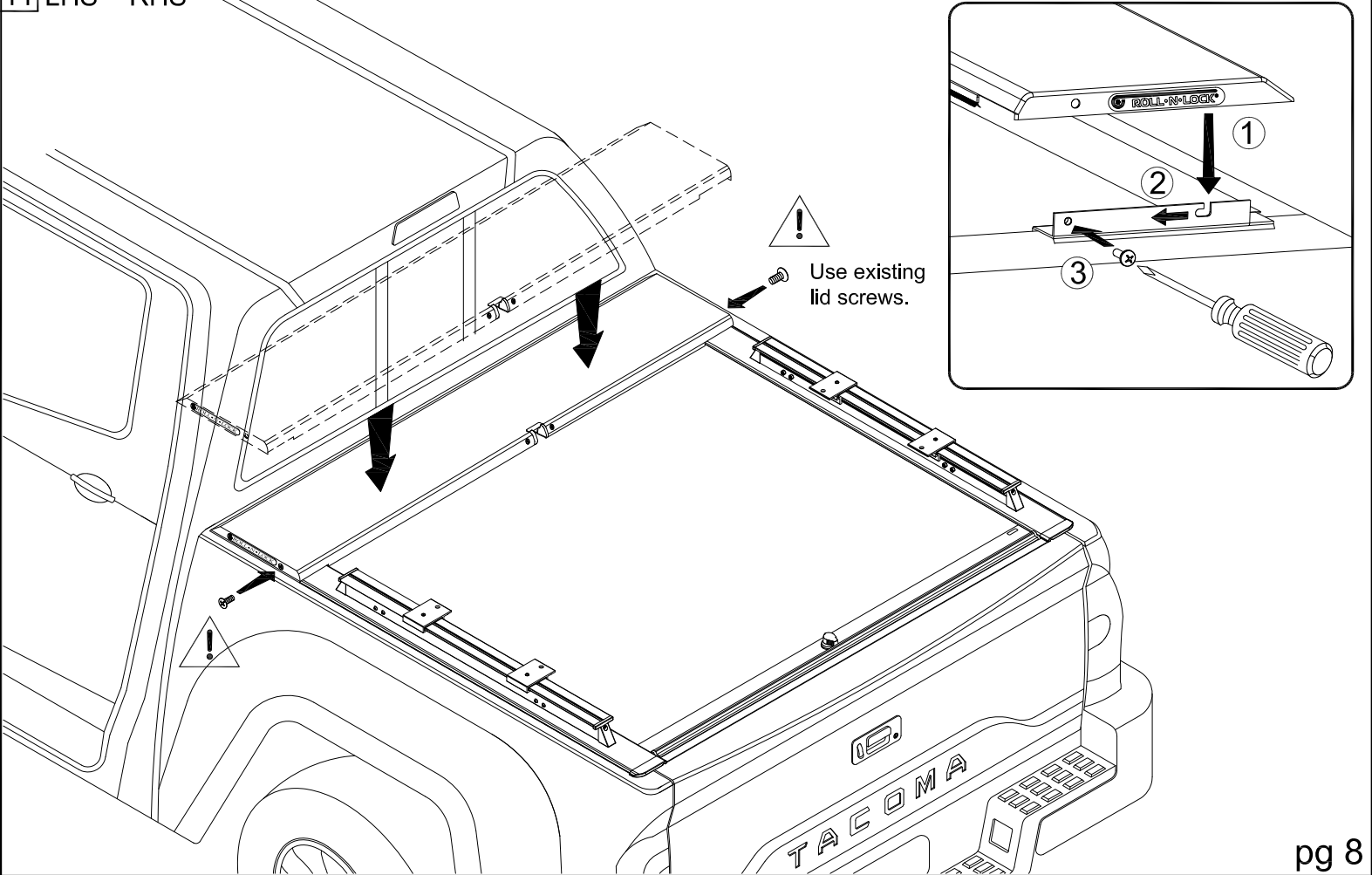
Remove top shims from rear clamps.



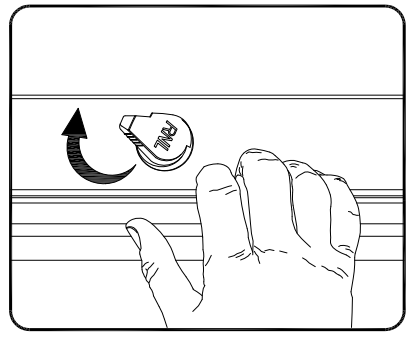
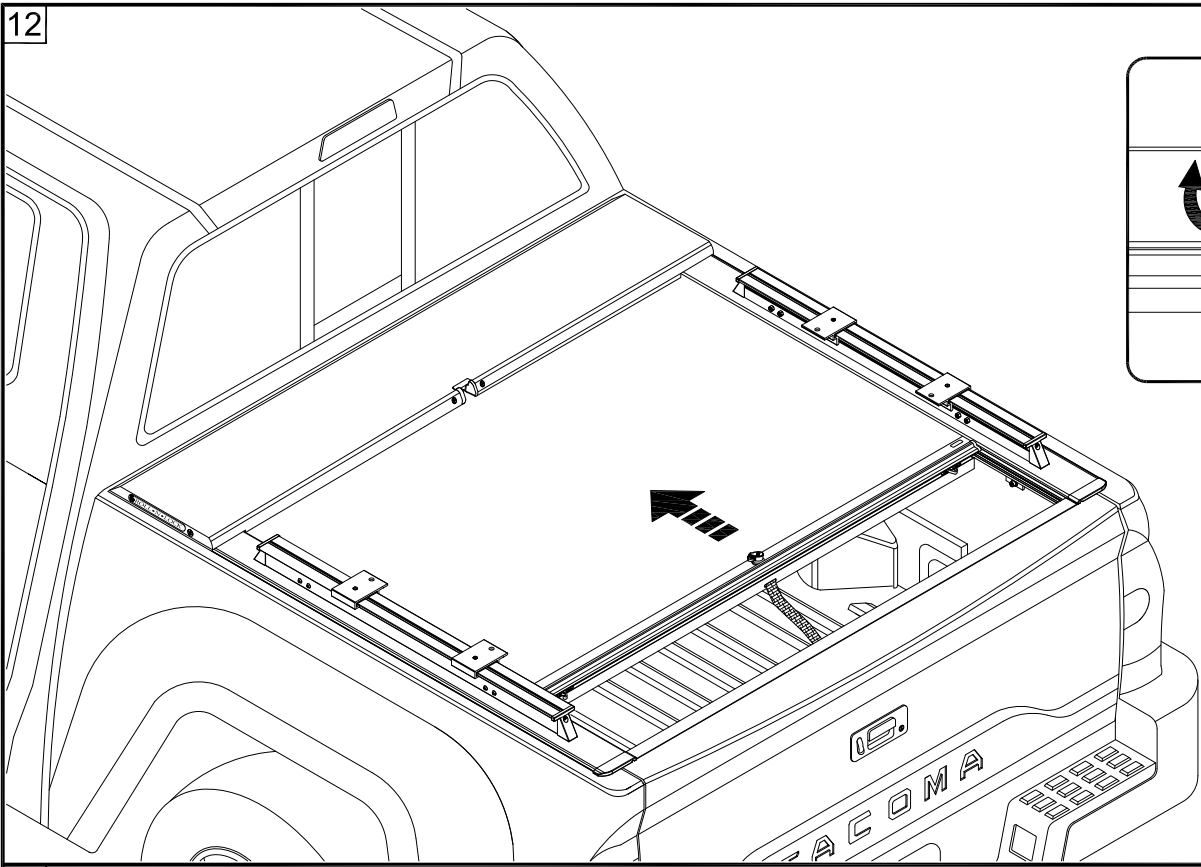
10



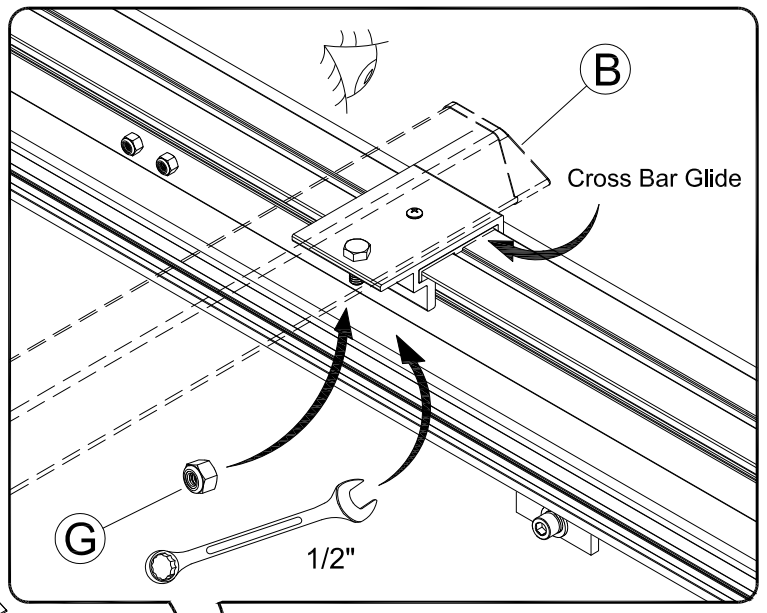
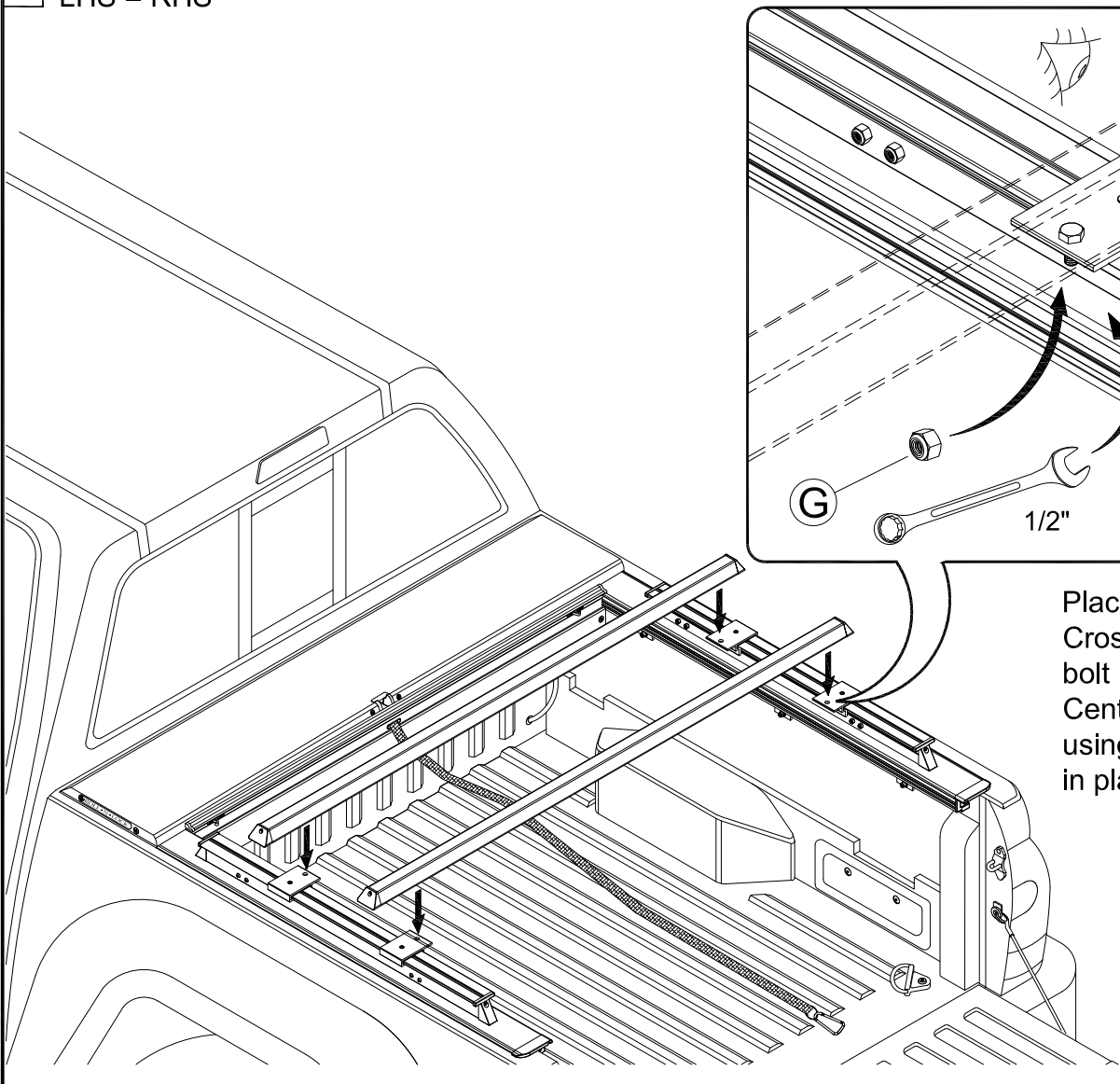
11 LHS = RHS



12

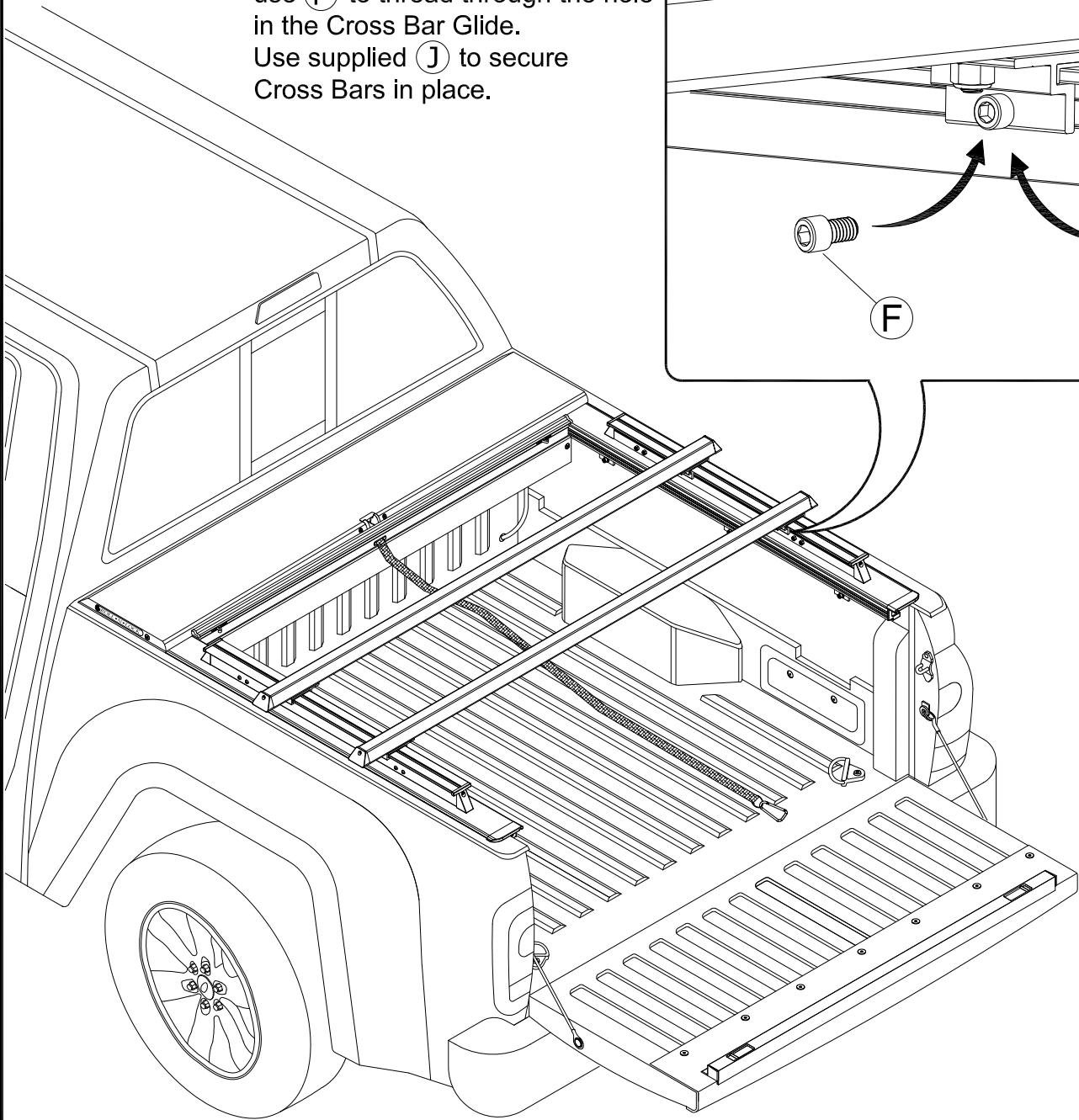
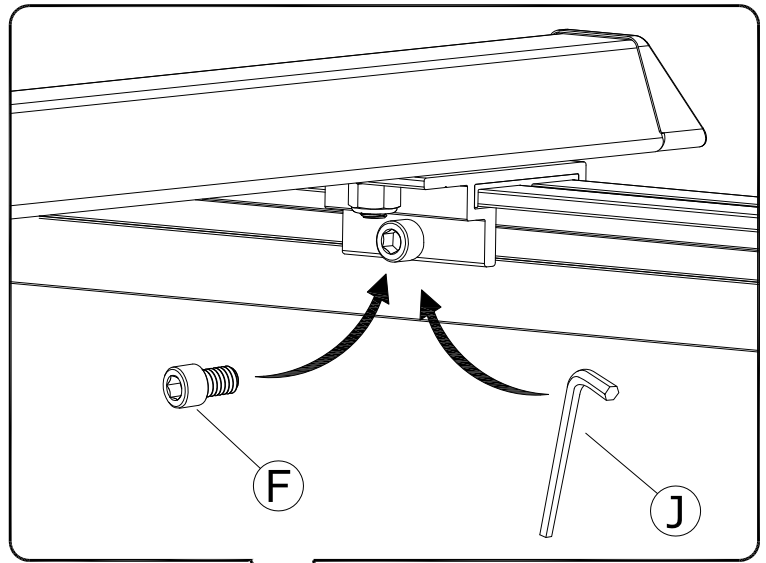


13 LHS = RHS



Place Cross Bar (B) on the Cross Bar Glide aligning the bolt in the hole at each end. Center the Cross Bar before using (G) to secure Cross Bar in place.

Once a desired location for the Cross Bar has been determined use (F) to thread through the hole in the Cross Bar Glide. Use supplied (J) to secure Cross Bars in place.



Any questions please call Customer Service at 800-952-7655
or email customerservice@rollnlock.com