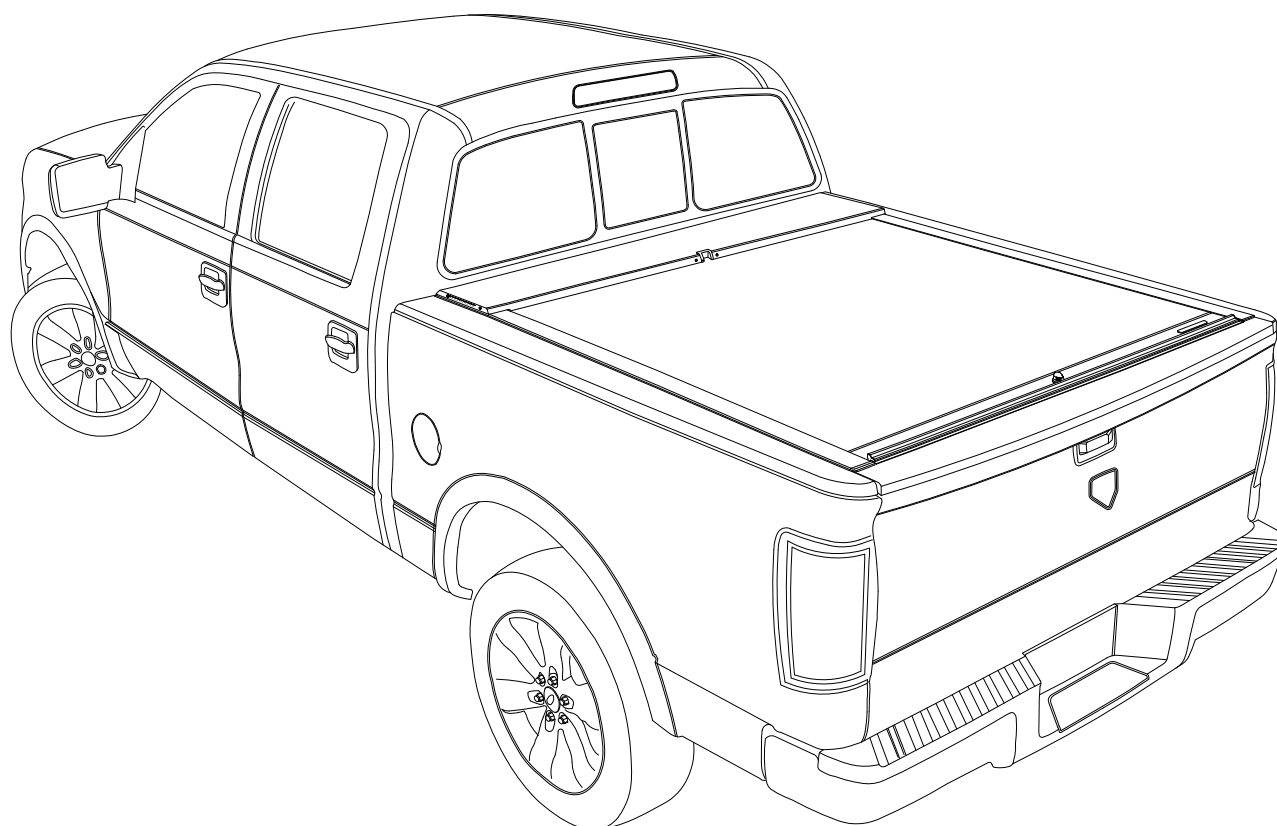




# Dodge Ram

## Installation Guide

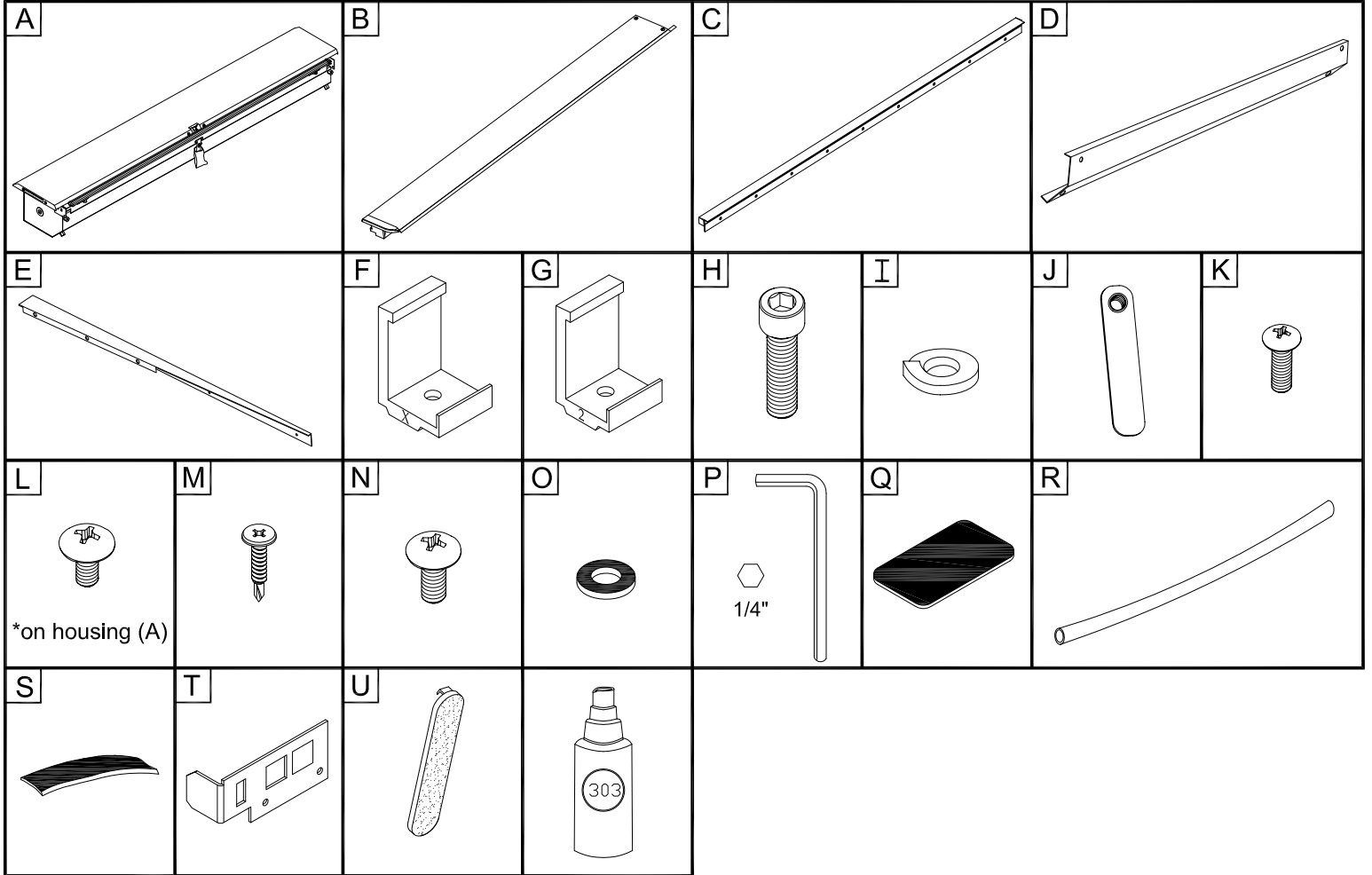
with tailgate extrusion option



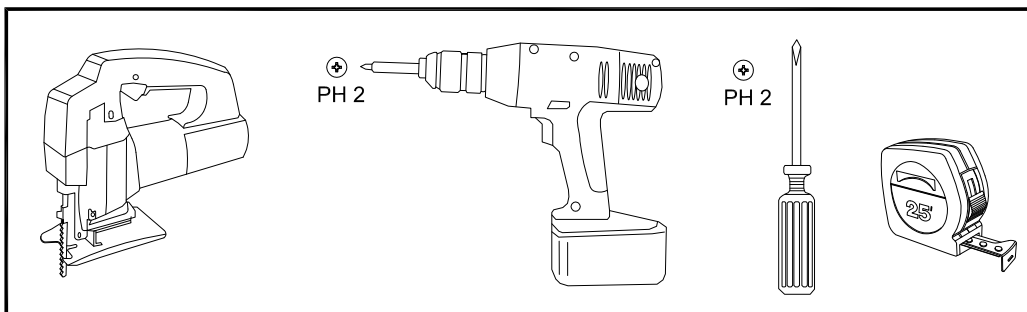
Product Code  
448 - 449

# Parts List

Item	Part Name	Qty.	Item	Part Name	Qty.	Item	Part Name	Qty.
A	Housing	1	H	5/16" x 1" Cap Screw	6	O	Rubber Washer	4
B	Track	2	I	5/16" Lock Washer	6	P	Allen Wrench (1/4")	1
C	Tailgate Extrusion	1	J	Cargo Nut	2	Q	Stake Hole Cover	2
D	Cargo Shield	1	K	#10-24 Screw	2	R	Drain Tube	2
E	Mounting Flange	2	L	1/4" Lid Screw	2	S	Butyl Caulk Strip	2
F	Bed "X" Clamp	2	M	#8 x 3/4" Self Drill Screw	17	T	NT Striker Plate LT/RT	2
G	Bed "2" Clamp	4	N	1/4-20 x 3/8" Screw	4	U	Hook Latch Cap	2
							303 Vinyl Protector	1

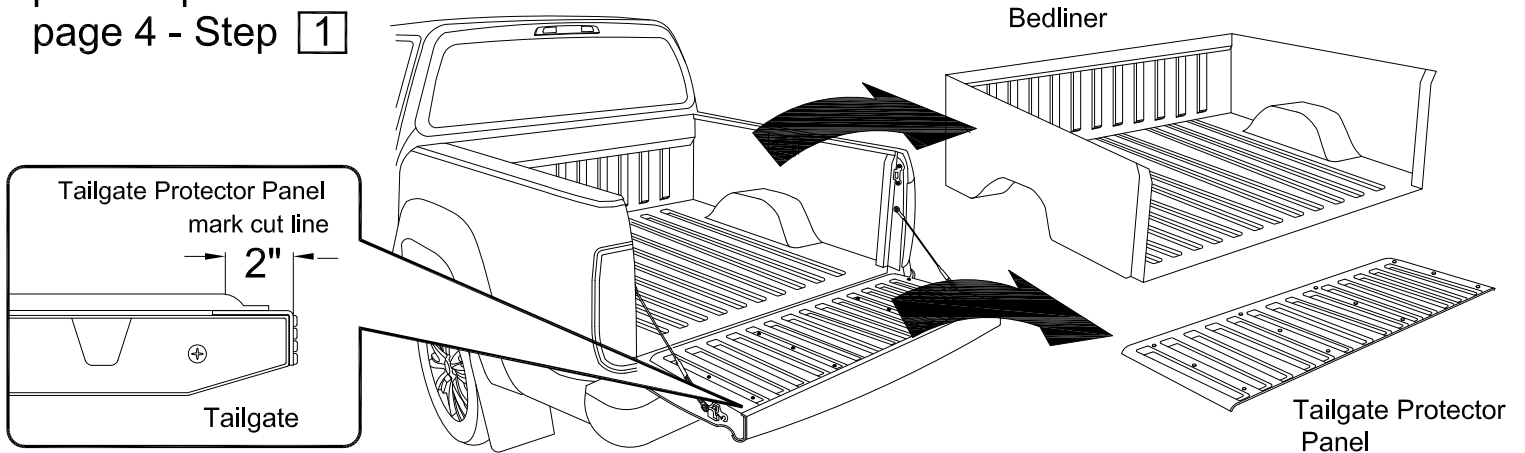


## Tools Needed

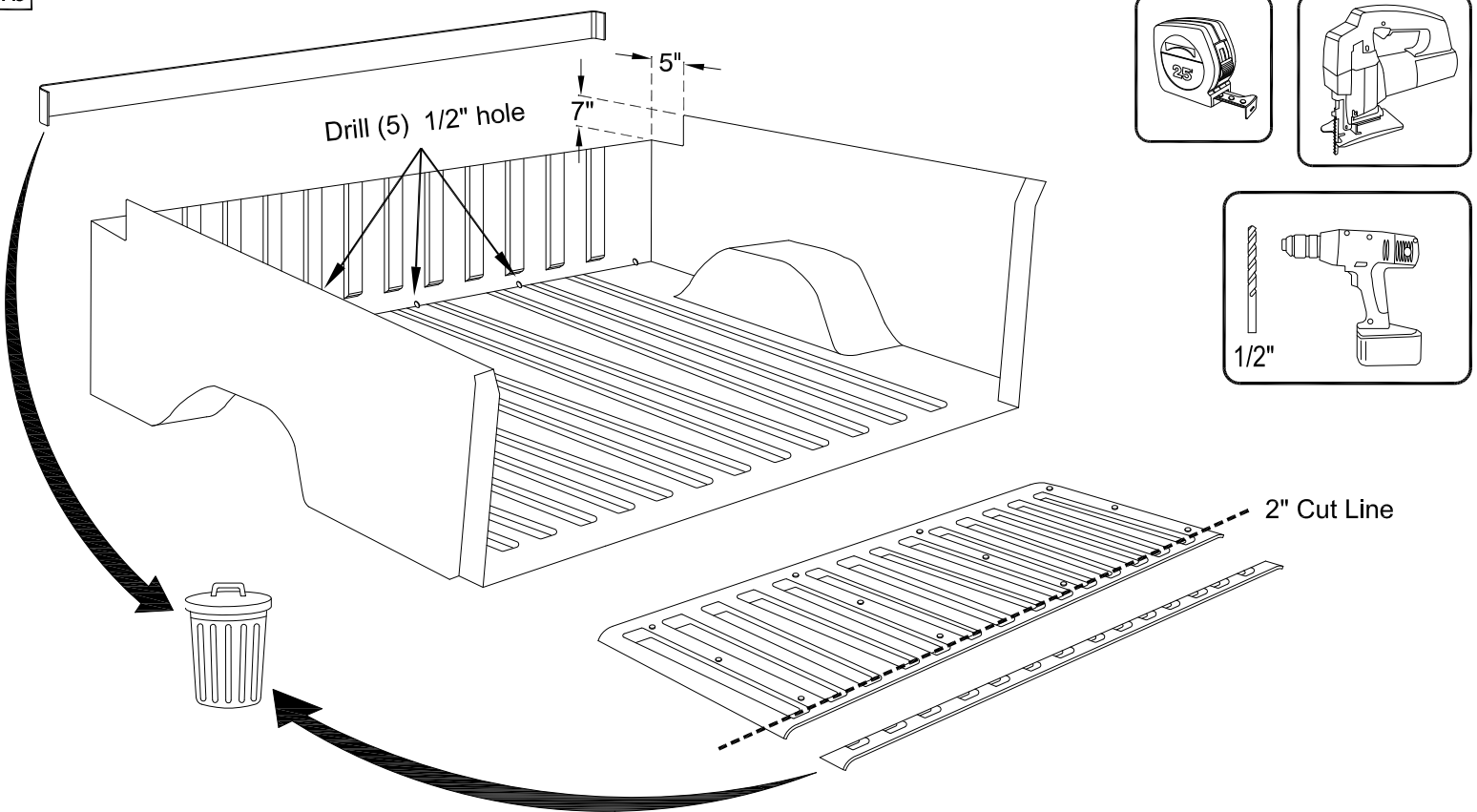


1a

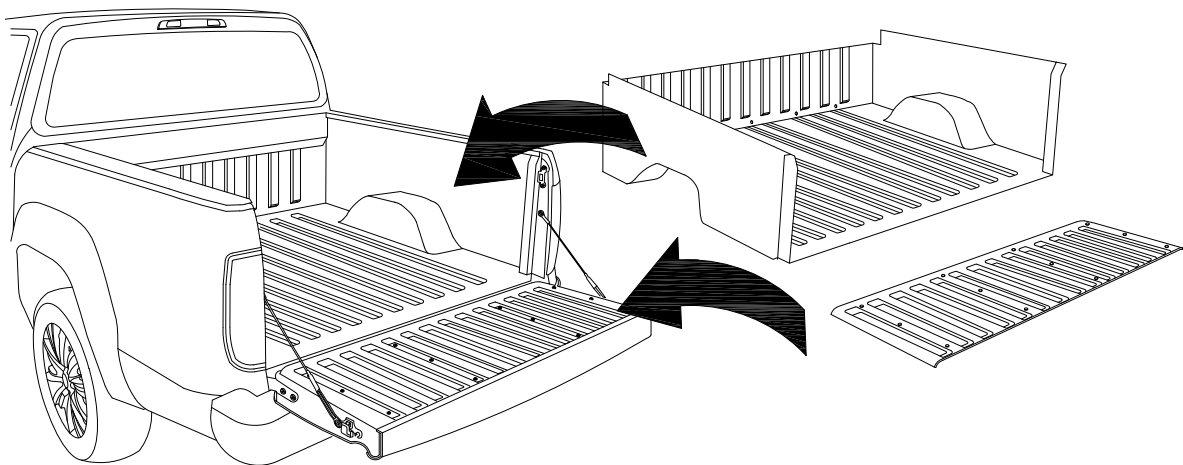
If no plastic bedliner present proceed to page 4 - Step 1



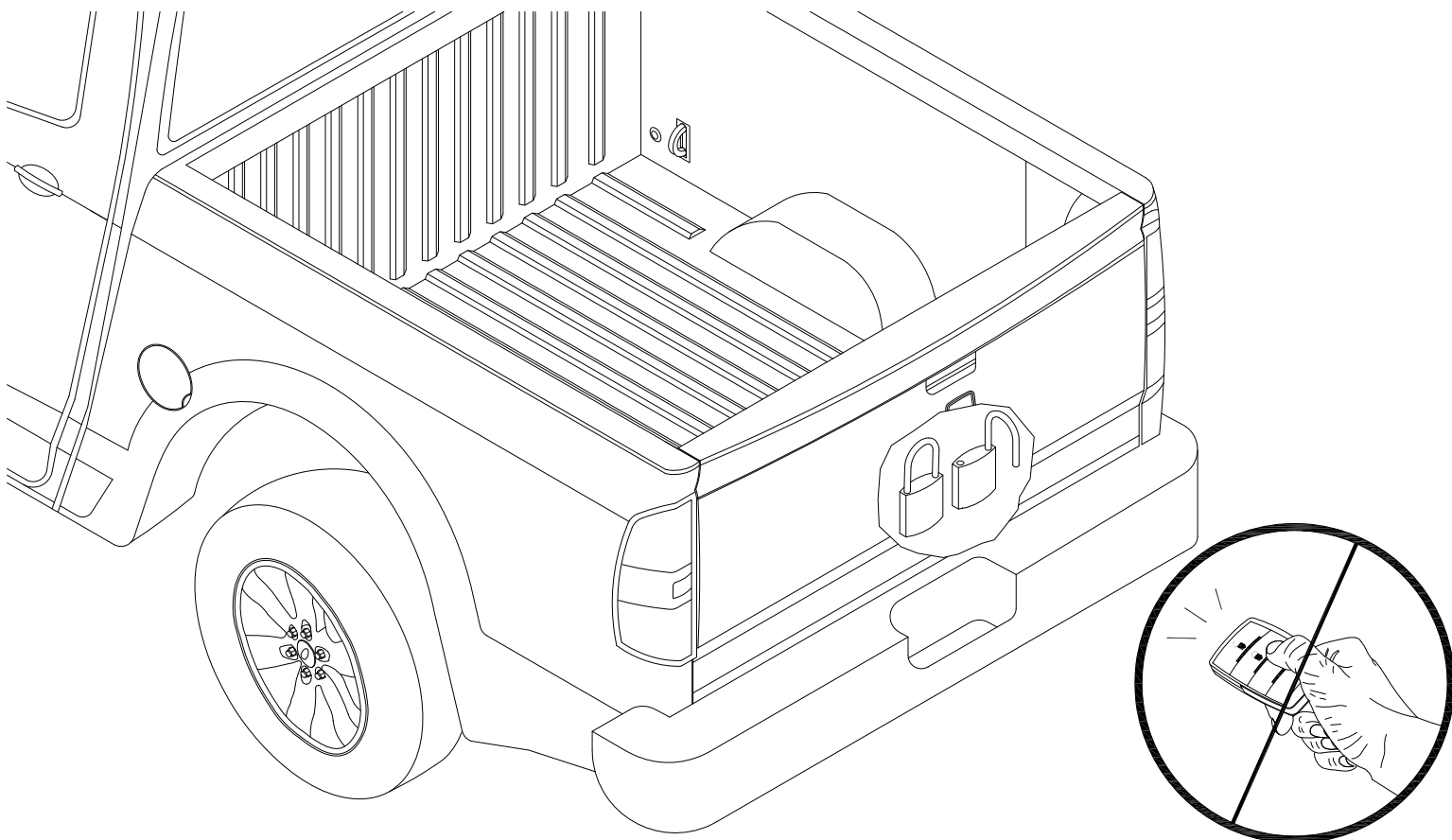
1b



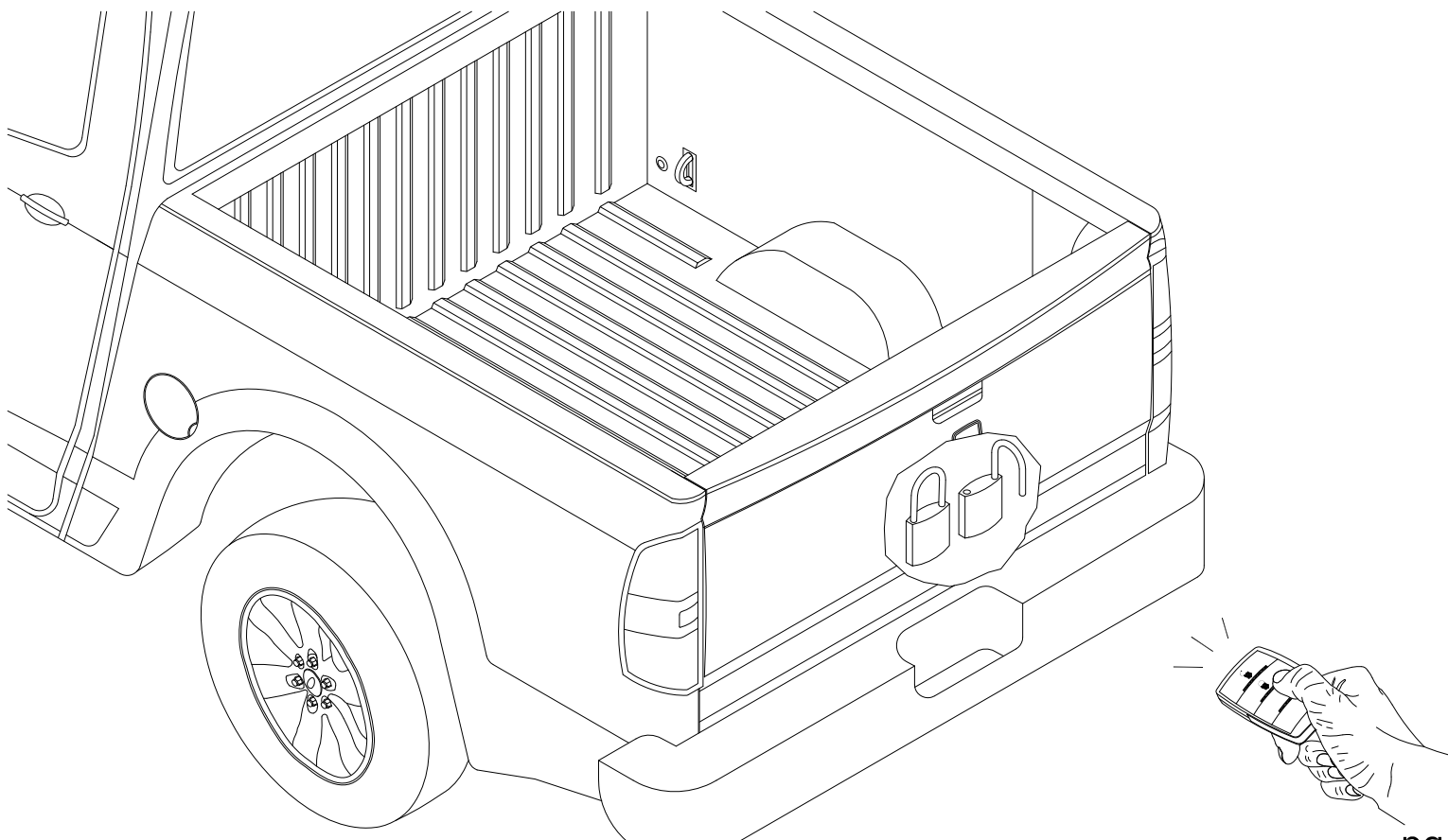
1c



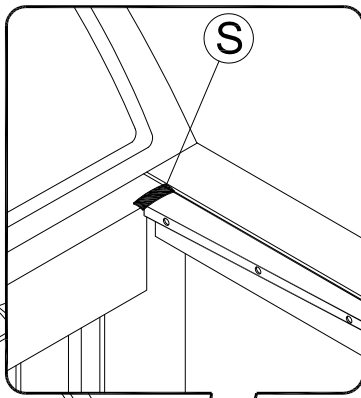
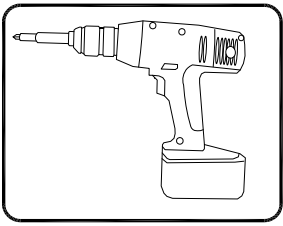
IF TRUCK TAILGATE DOES **NOT** LOCK AND UNLOCK WITH KEY FOB OR THE TAILGATE EXTRUSION © IS WANTED PROCEED WITH PAGES 5 - 13.



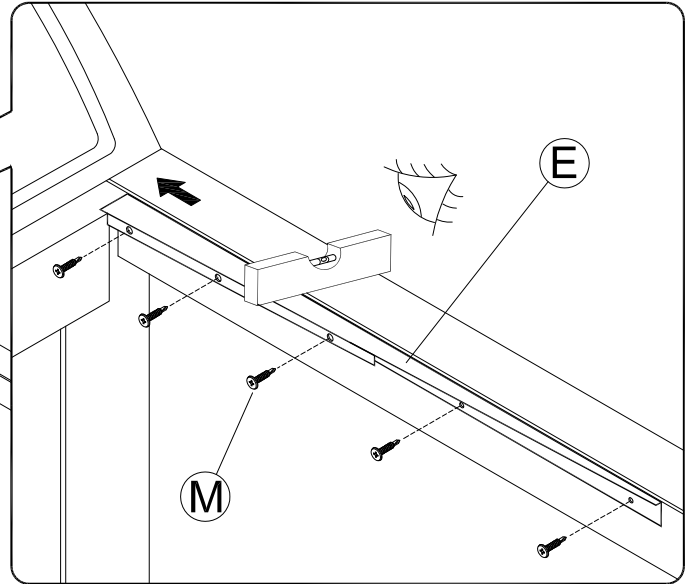
IF TRUCK TAILGATE LOCKS AND UNLOCKS WITH KEY FOB OR THE TAILGATE EXTRUSION © IS **NOT** WANTED PROCEED WITH PAGES 14 - 24.



1 LHS = RHS

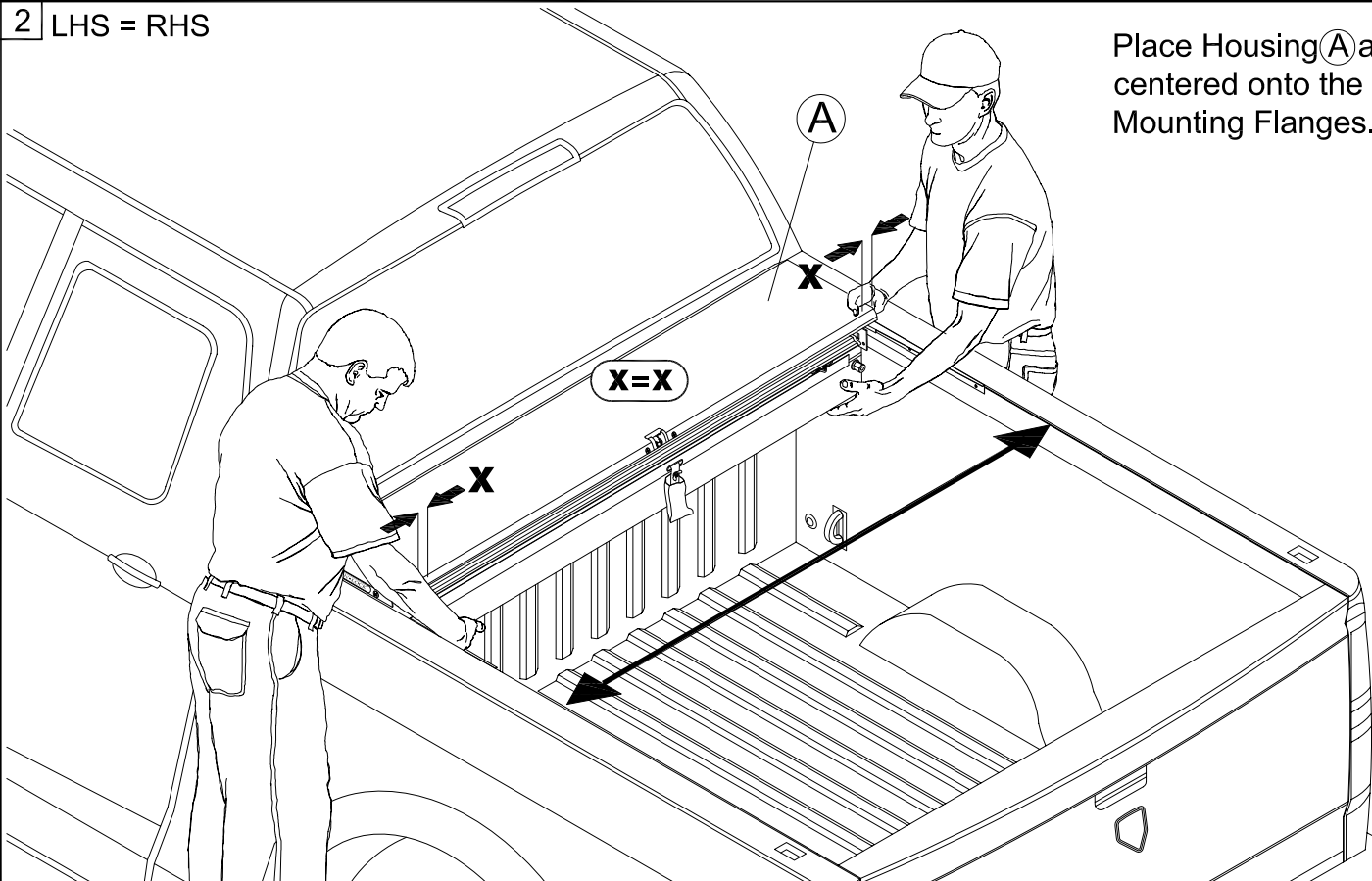


1. Attach Mounting Flange (E) up against bulkhead and flush with side rail.
2. Place Butyl Strip (S) between the seam.



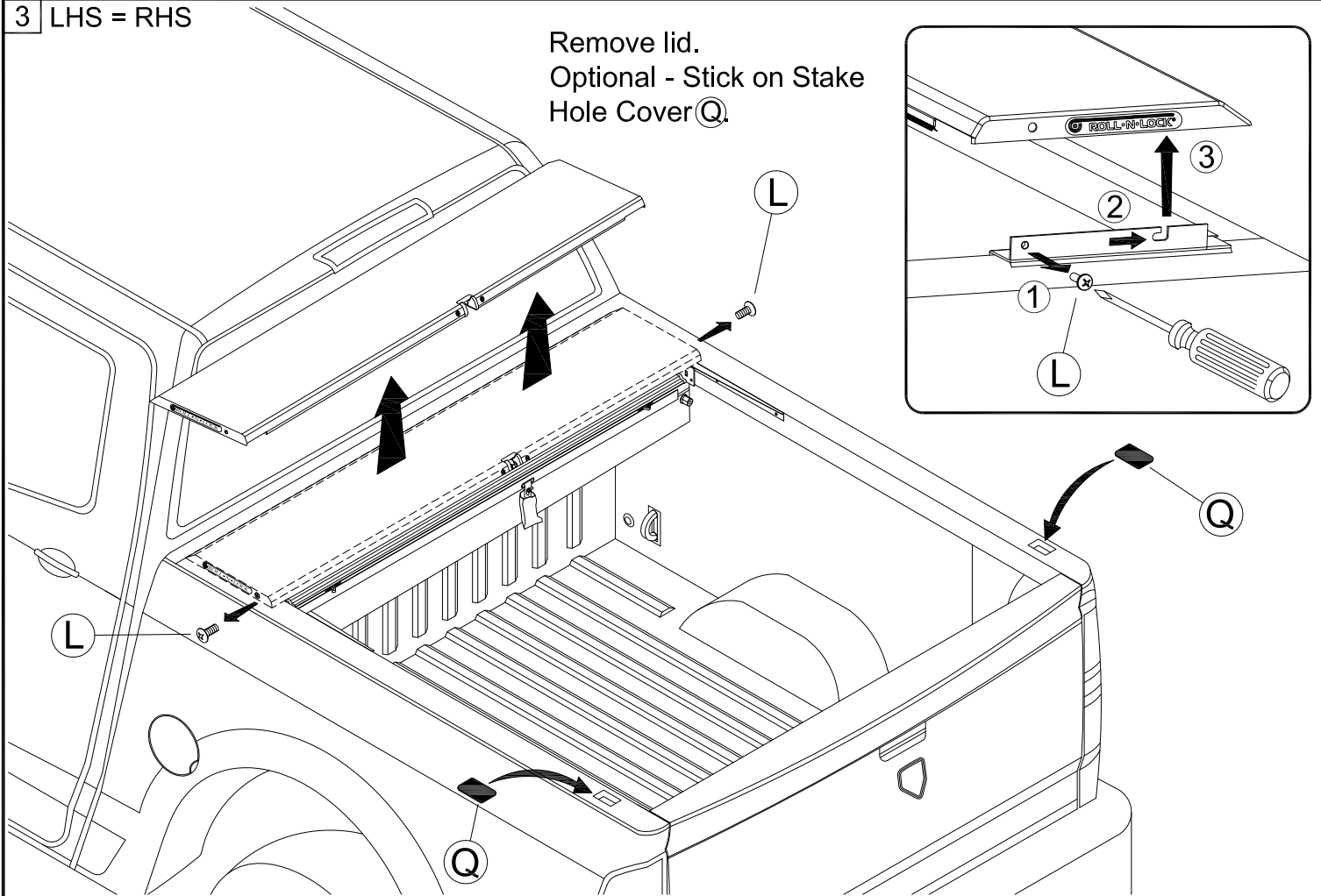
2 LHS = RHS

Place Housing (A) assembly centered onto the Track Mounting Flanges.

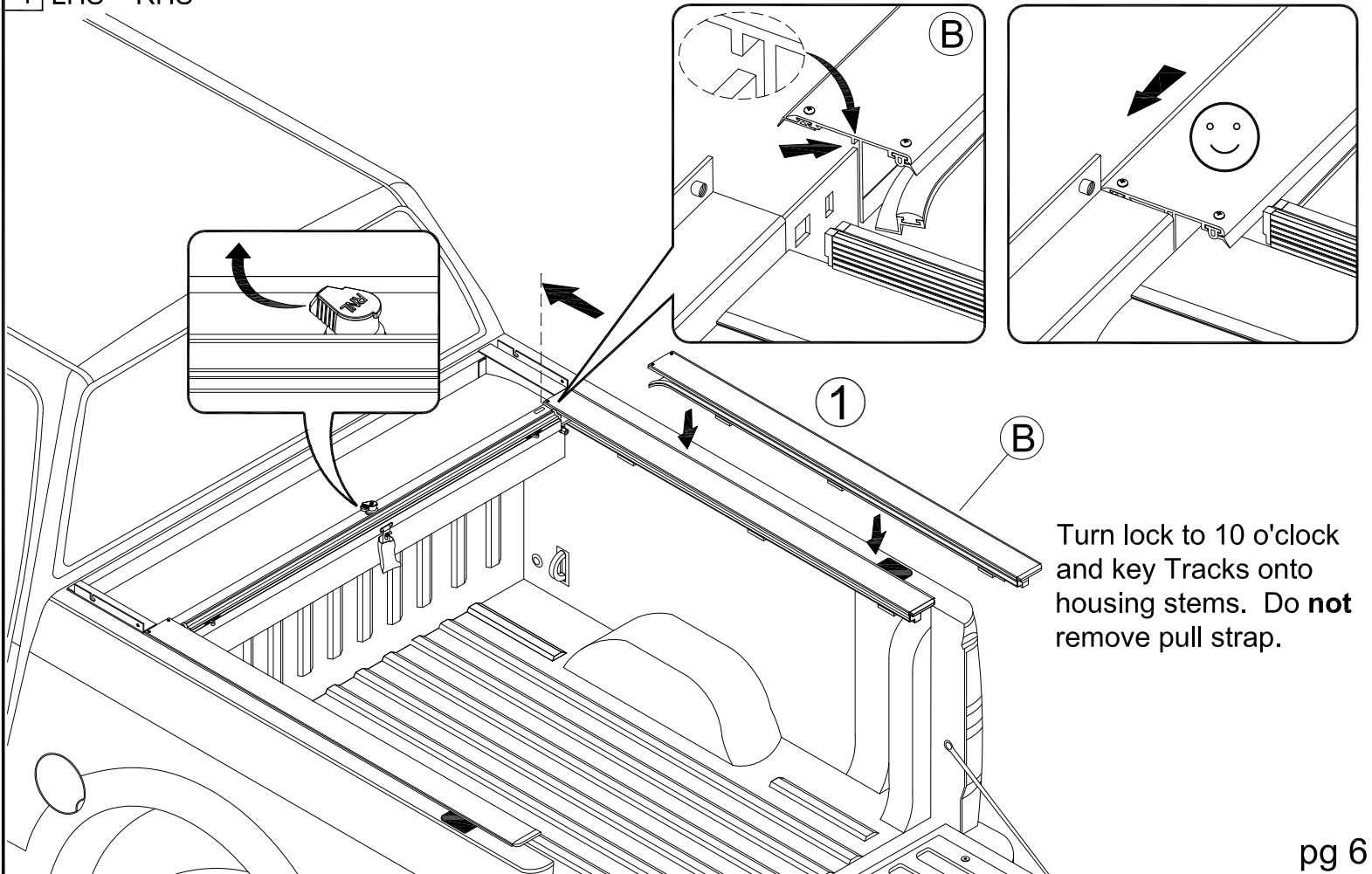


3 LHS = RHS

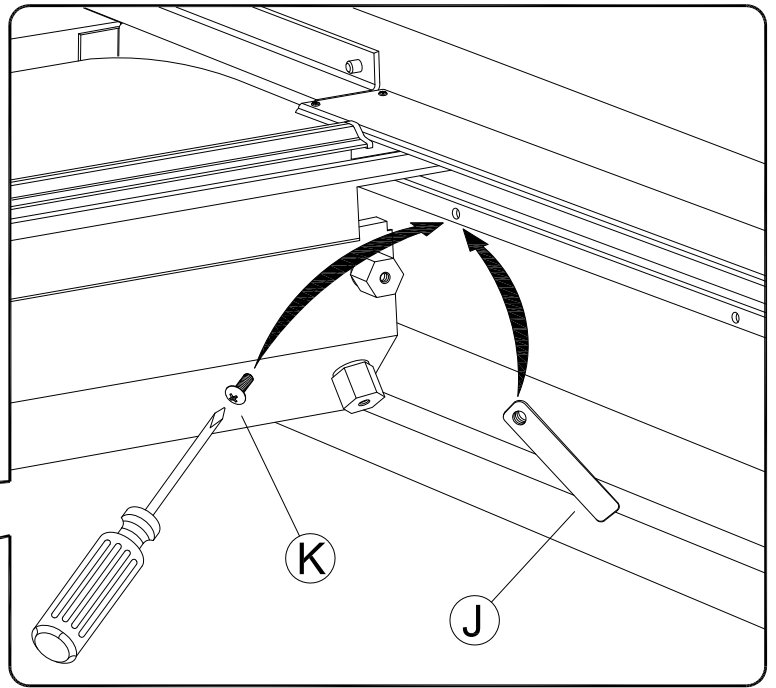
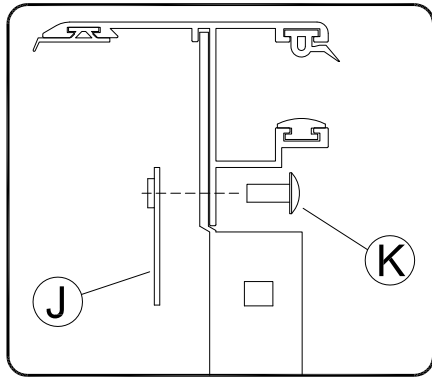
Remove lid.  
Optional - Stick on Stake  
Hole Cover **Q**.



4 LHS = RHS



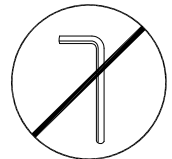
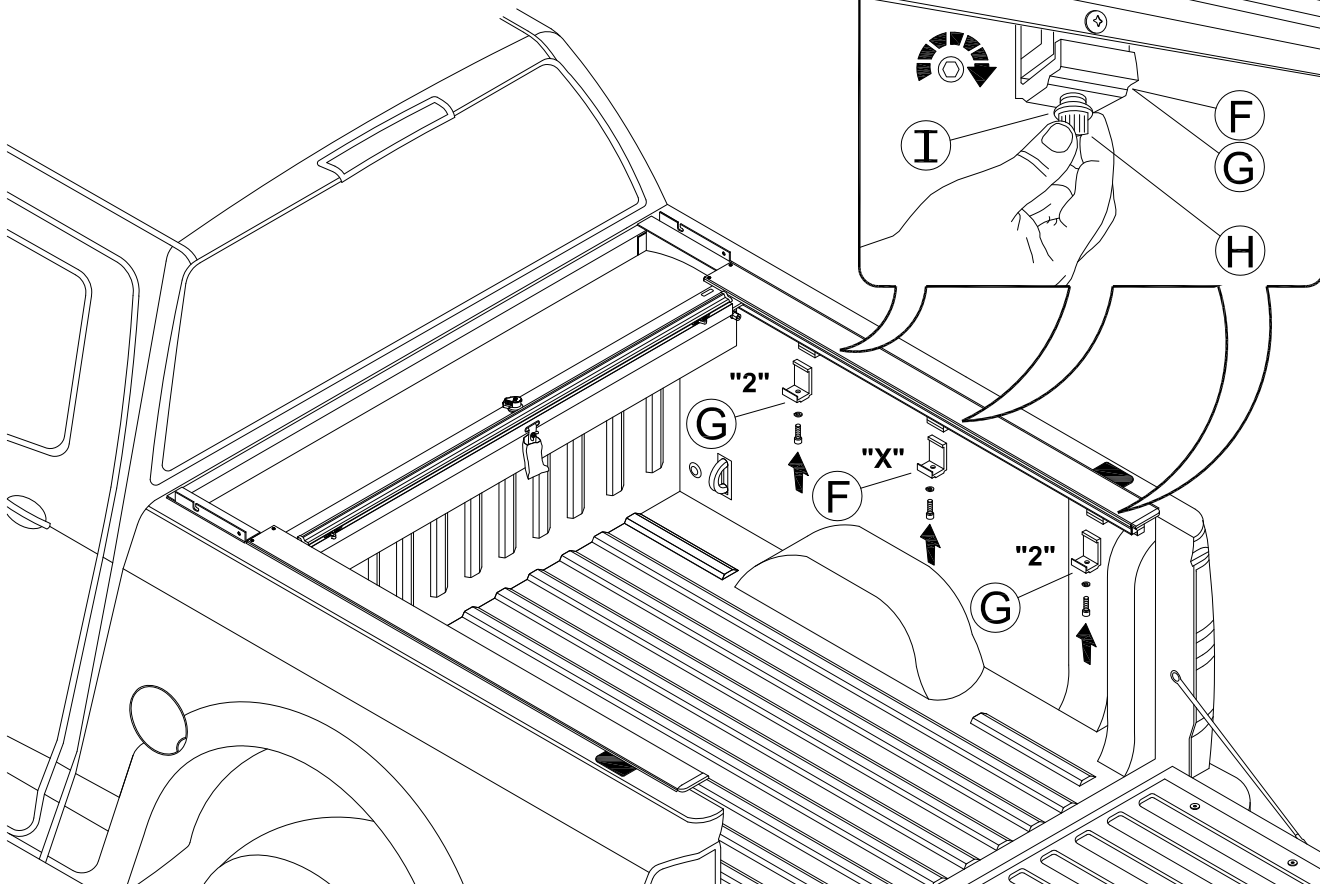
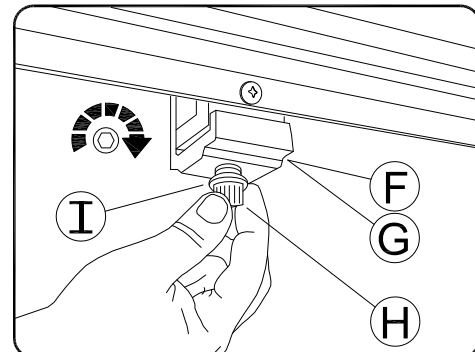
5 LHS = RHS



Secure Tracks to housing stems.

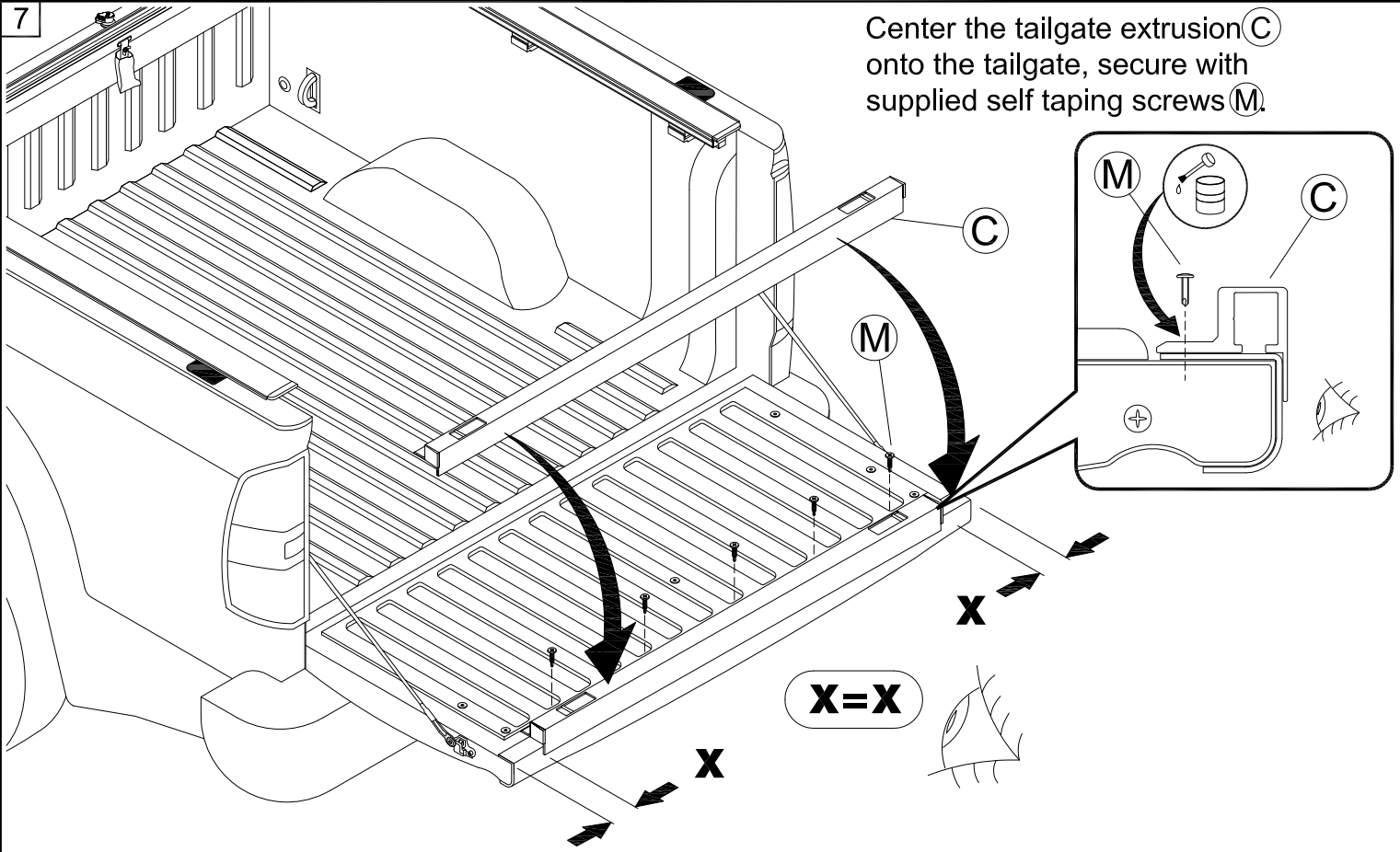
6 LHS = RHS

Loosely attach the Bed Clamps to the Track Clamps. Note location of ("X") clamp (F).

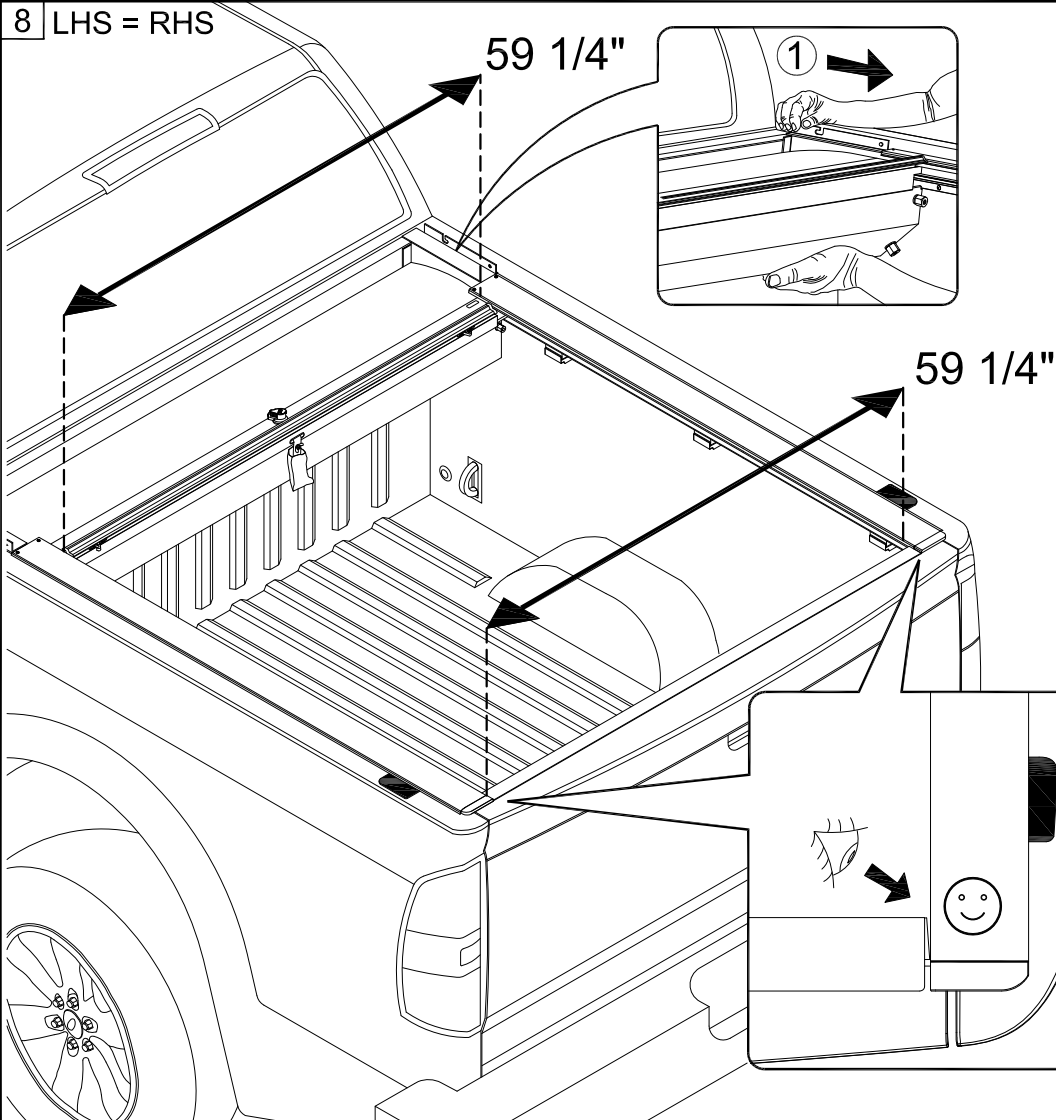


7

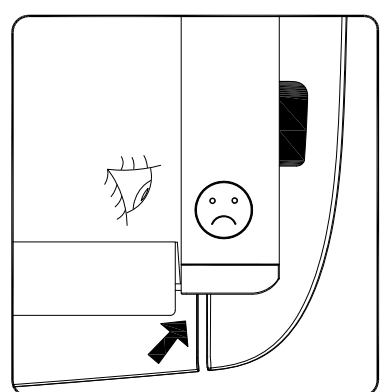
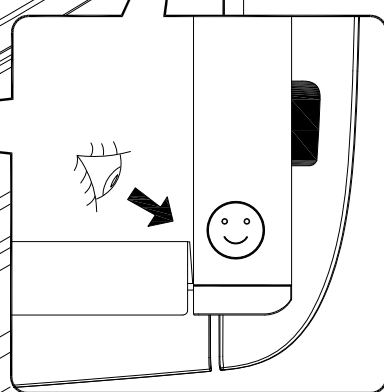
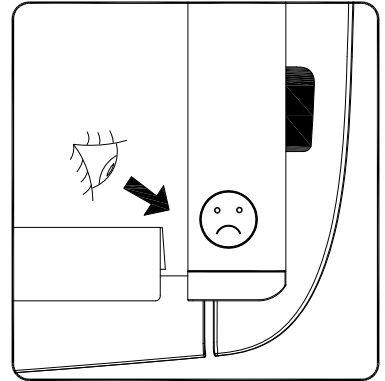
Center the tailgate extrusion **C** onto the tailgate, secure with supplied self tapping screws **M**.



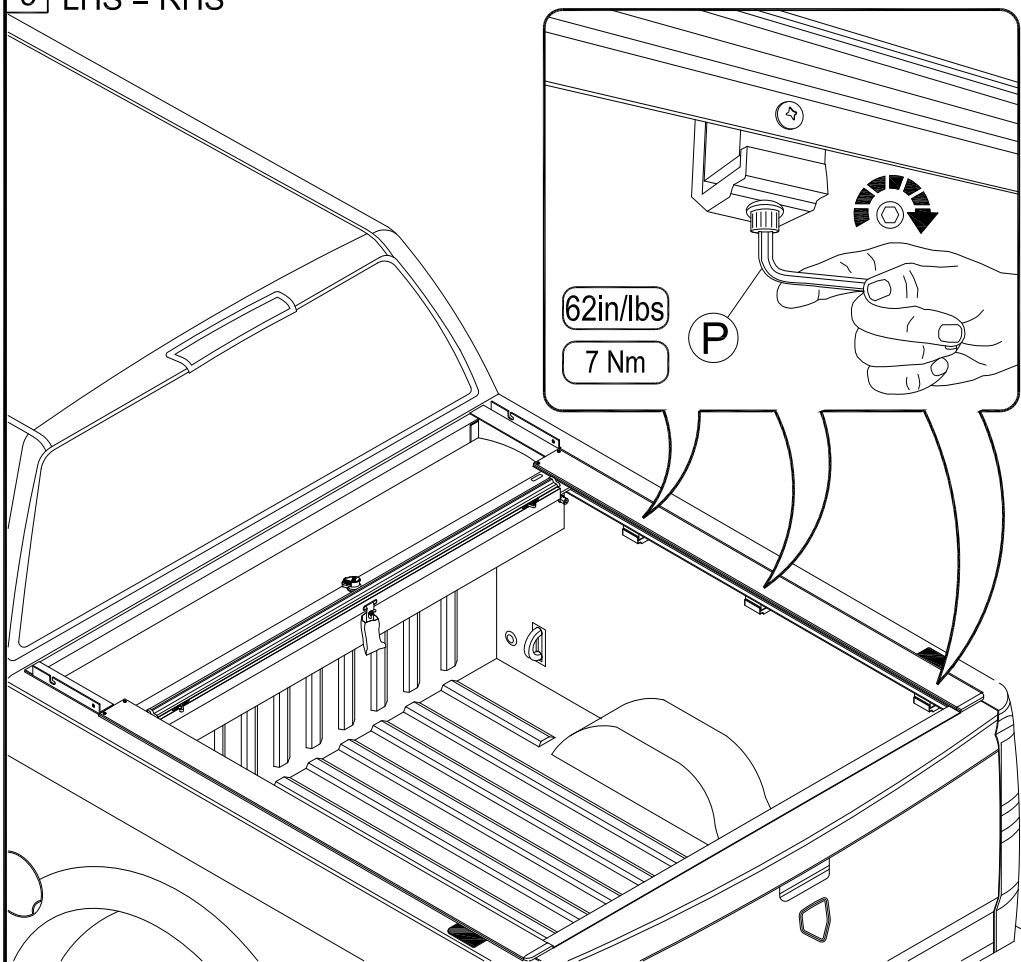
8 LHS = RHS



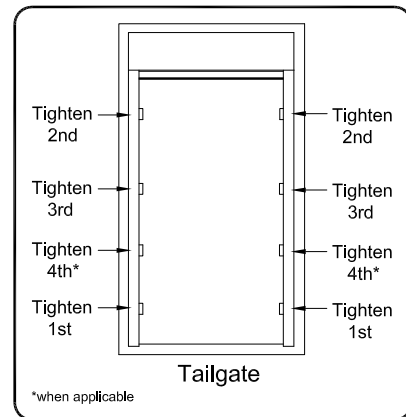
Carefully close tailgate, shift the housing back so the end of the tracks are up against the tailgate and the inside of the track is up against the tailgate extrusion.





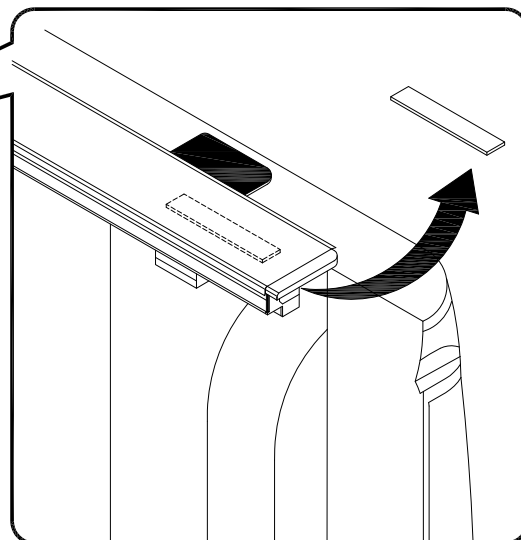
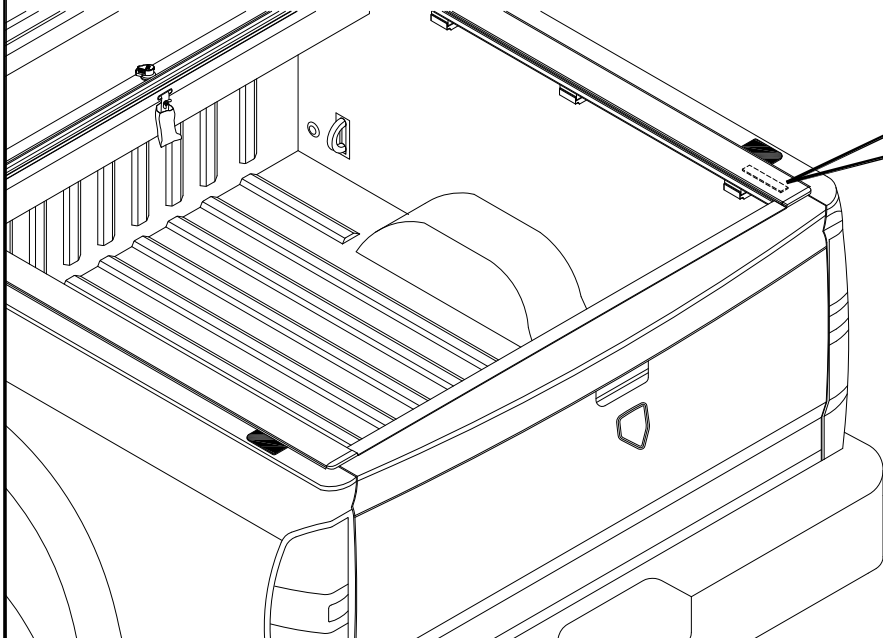
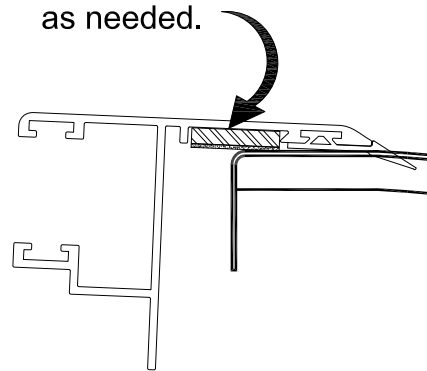


Tighten bed clamps to the track clamps. Note: When tight there may be a gap between the clamps, do not over tighten.



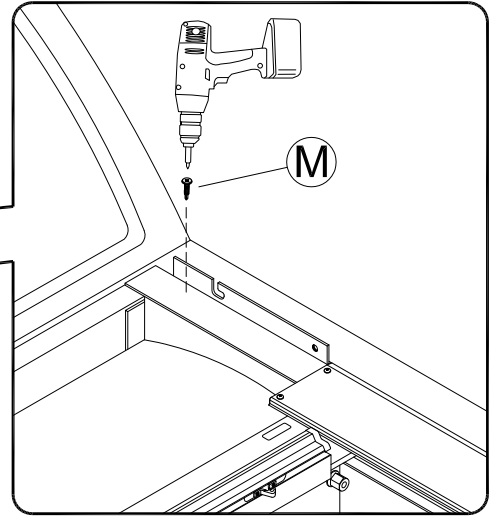
If Track(s) rotate up then loosen the bed clamps and lift up track to remove shim on the underside of the track at the tailgate. Reposition tracks and reattach clamps and tighten.

Remove shim as needed.

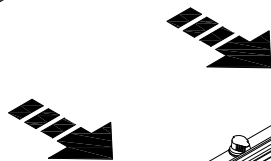
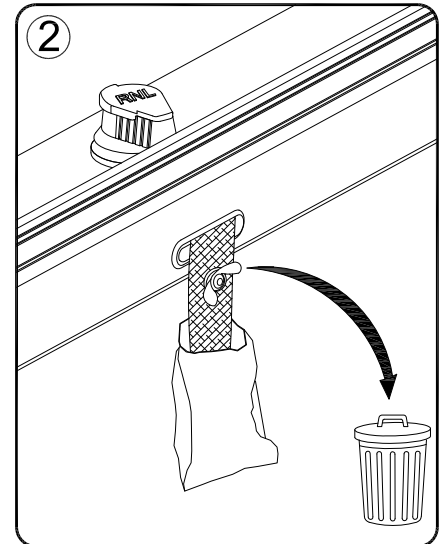
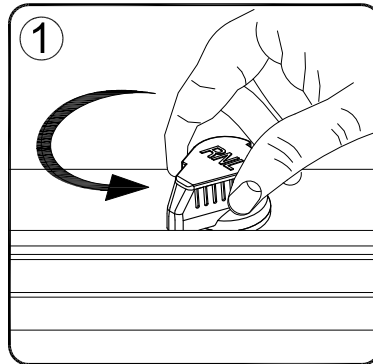


10 LHS = RHS

Screw housing to mounting flange.



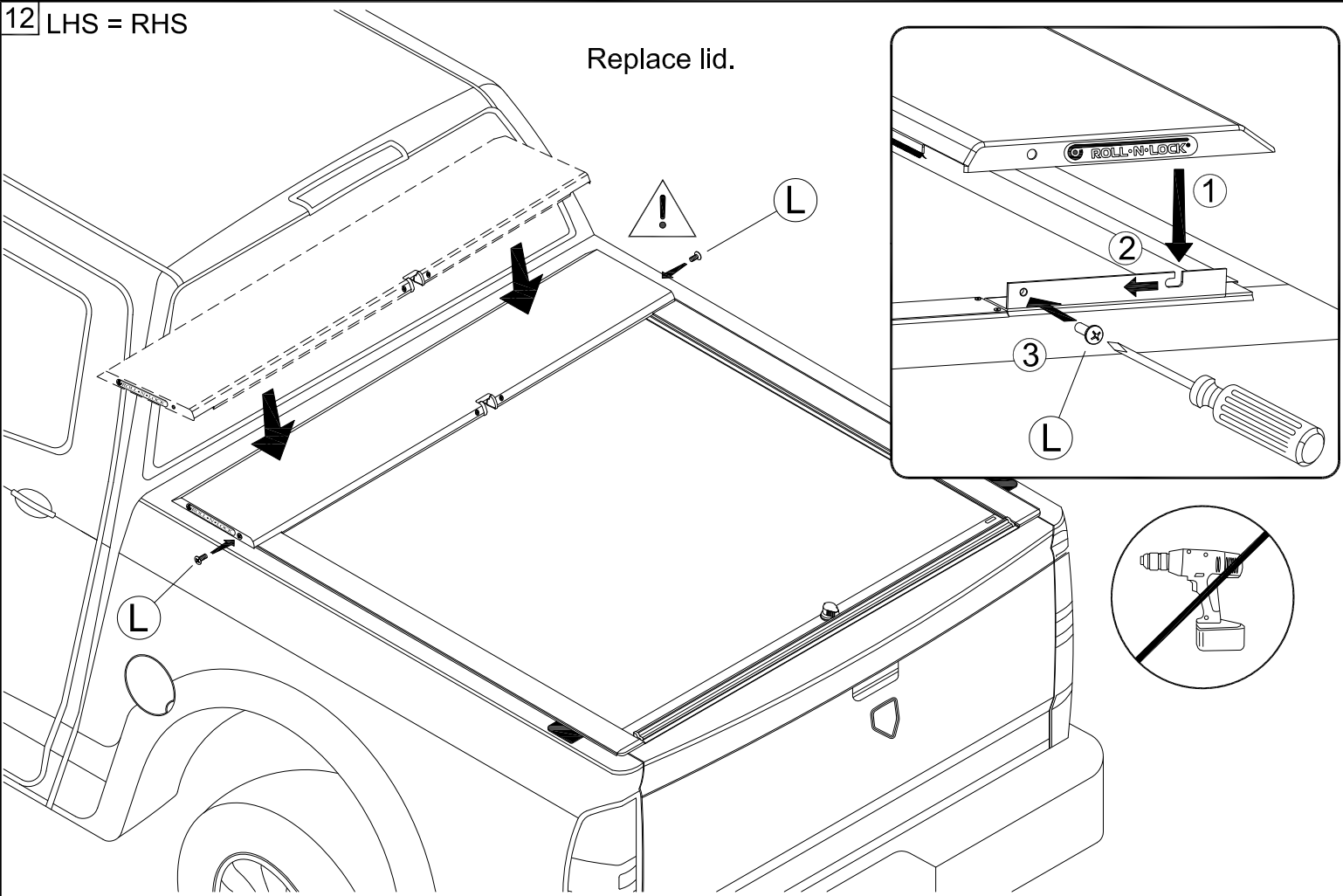
11



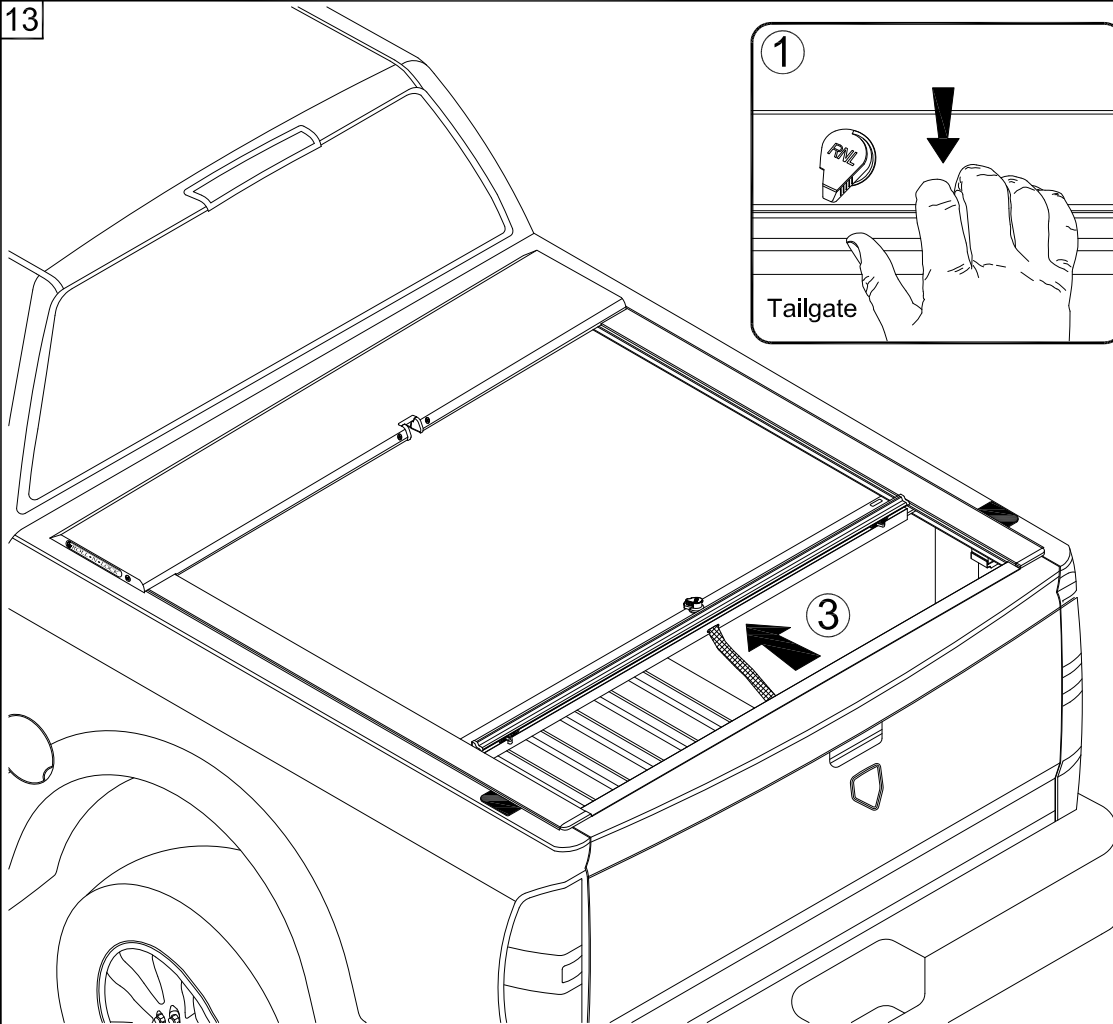
Turn lock to 7 o'clock, remove plastic wing nut and pull cover back to tailgate.

12 LHS = RHS

Replace lid.

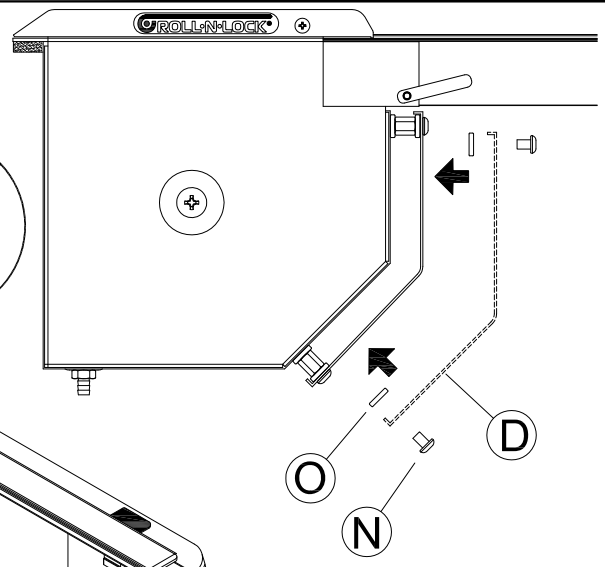
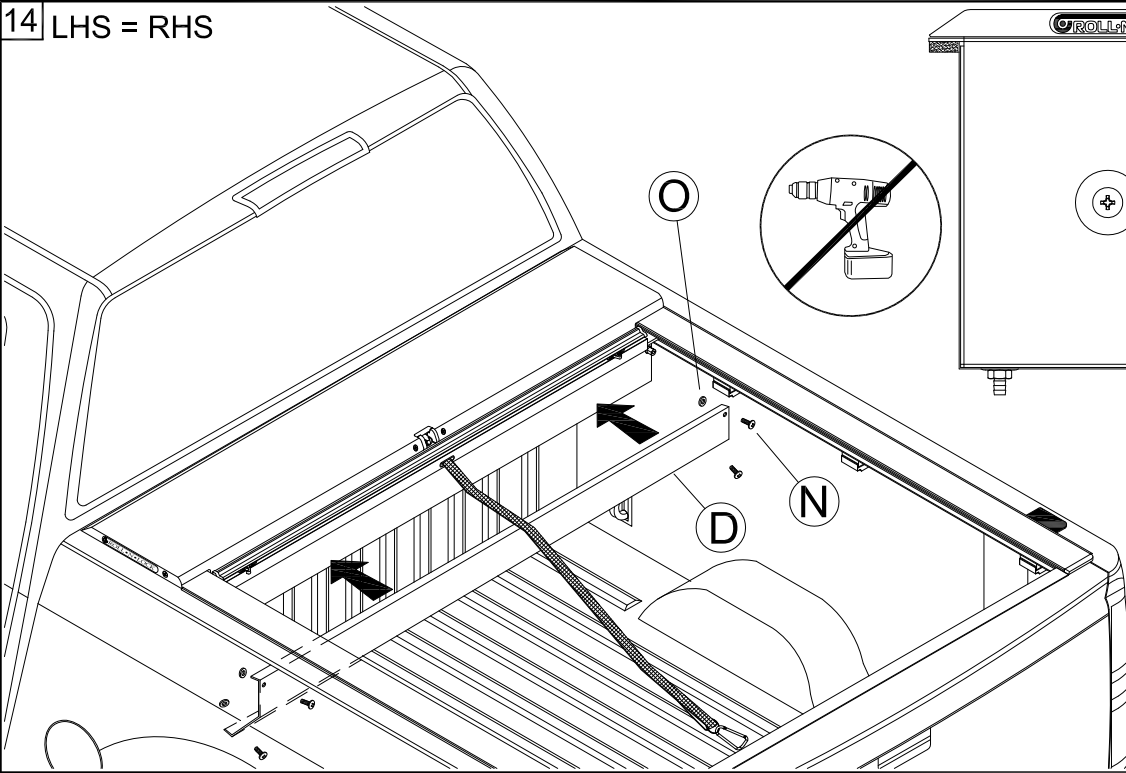


13



To open cover pull back on the handle, turn the lock to 10 o'clock and let the cover retract into the housing while holding onto the pull-strap.

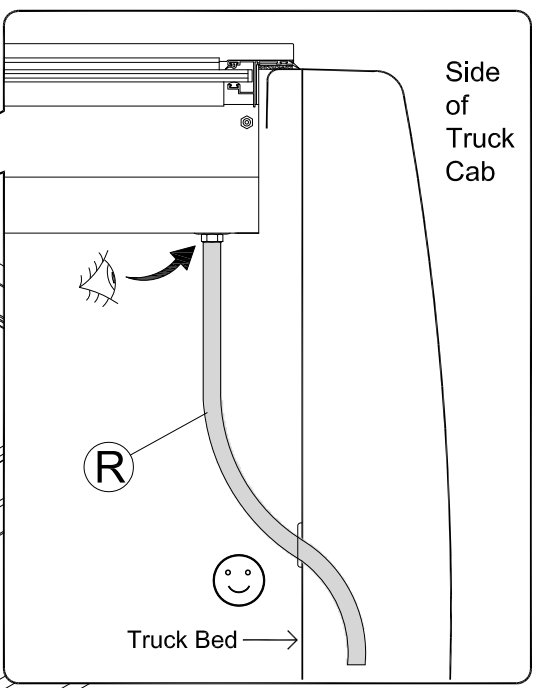
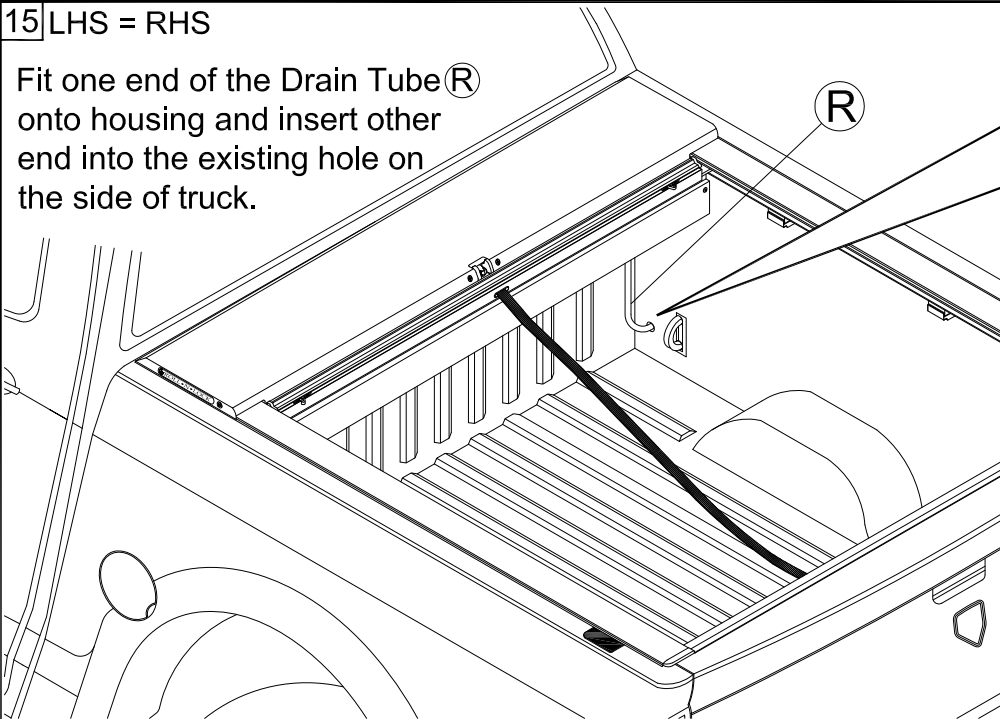
14 LHS = RHS



Attach the Cargo Shield (D) to the housing. Note washer (O) placement.

15 LHS = RHS

Fit one end of the Drain Tube (R) onto housing and insert other end into the existing hole on the side of truck.

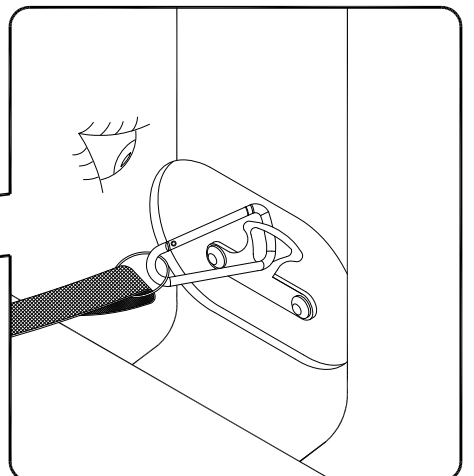
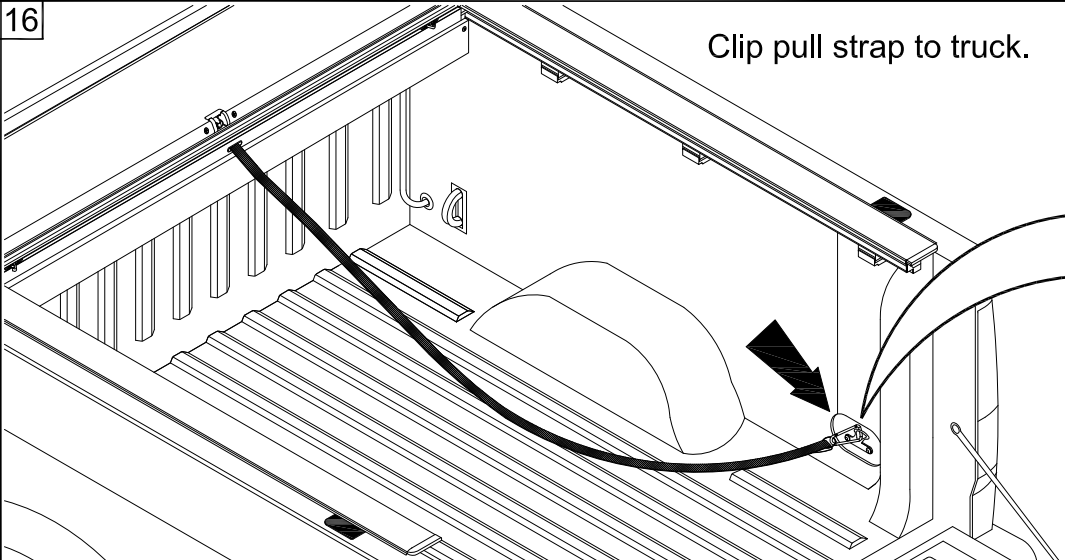


Side of Truck Cab

Truck Bed →

16

Clip pull strap to truck.

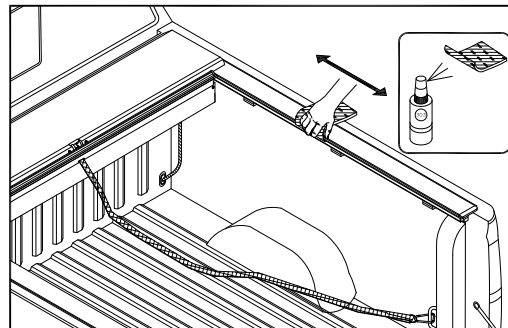


# Troubleshooting

Cover is hard to pull or retract.



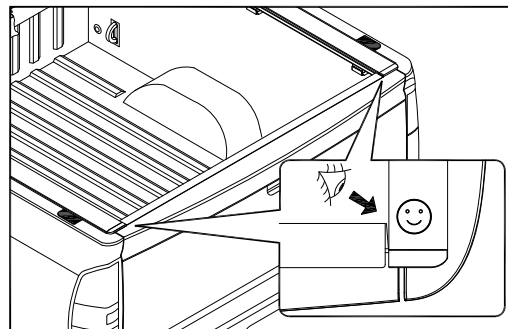
Spray 303<sup>®</sup> on a rag and wipe the top gasket in the Track back and forth.



Cover does not latch.



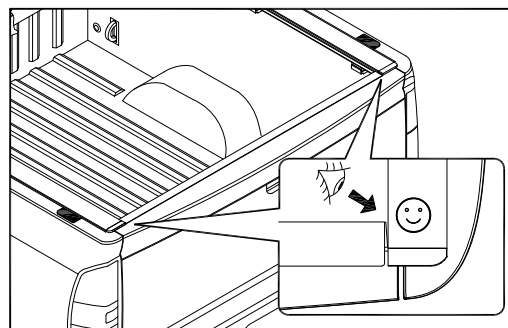
Make sure the inside of the Tracks are up against each end of the tailgate extrusion.



Cover does not latch.



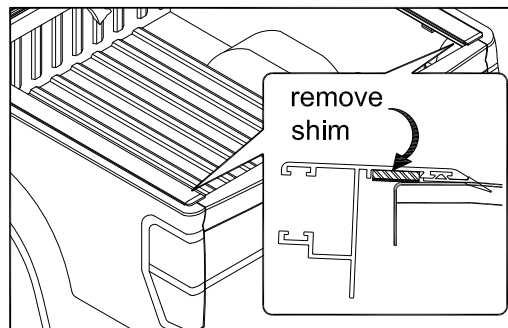
Make sure Tracks are back against tailgate.



Track tips up.



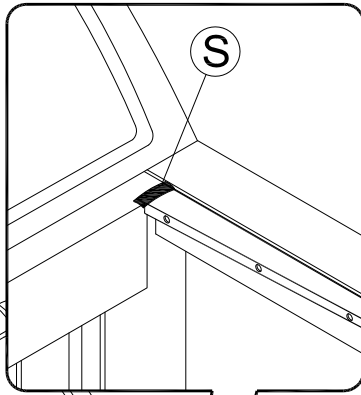
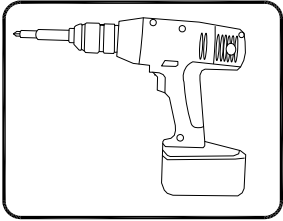
Remove shim on the underside of the track(s).



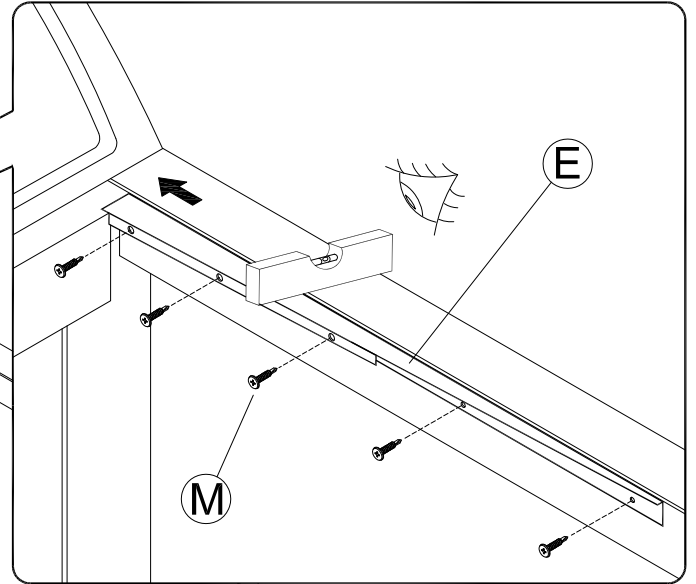
Any questions please call Customer Service at 800-952-7655 or email [customerservice@rollnlock.com](mailto:customerservice@rollnlock.com)

IF TRUCK TAILGATE LOCKS AND UNLOCKS WITH KEY FOB OR A TAILGATE EXTRUSION  $\text{\textcircled{C}}$  IS NOT WANTED PROCEED WITH PAGES 14 - 24.

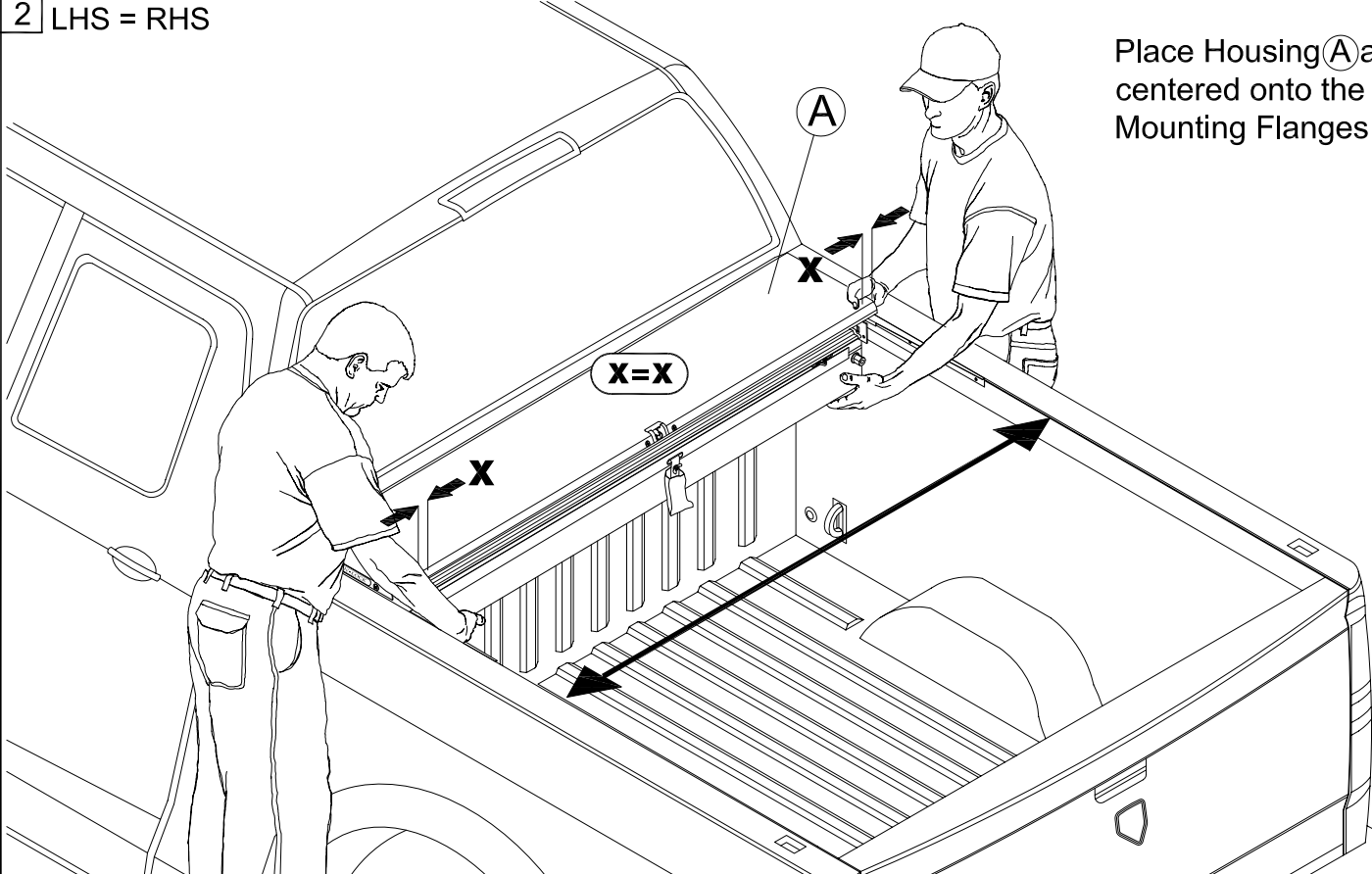
1 LHS = RHS



1. Attach Mounting Flange  $\text{\textcircled{E}}$  up against bulkhead and flush with side rail.
2. Place Butyl Strip  $\text{\textcircled{S}}$  between the seam.



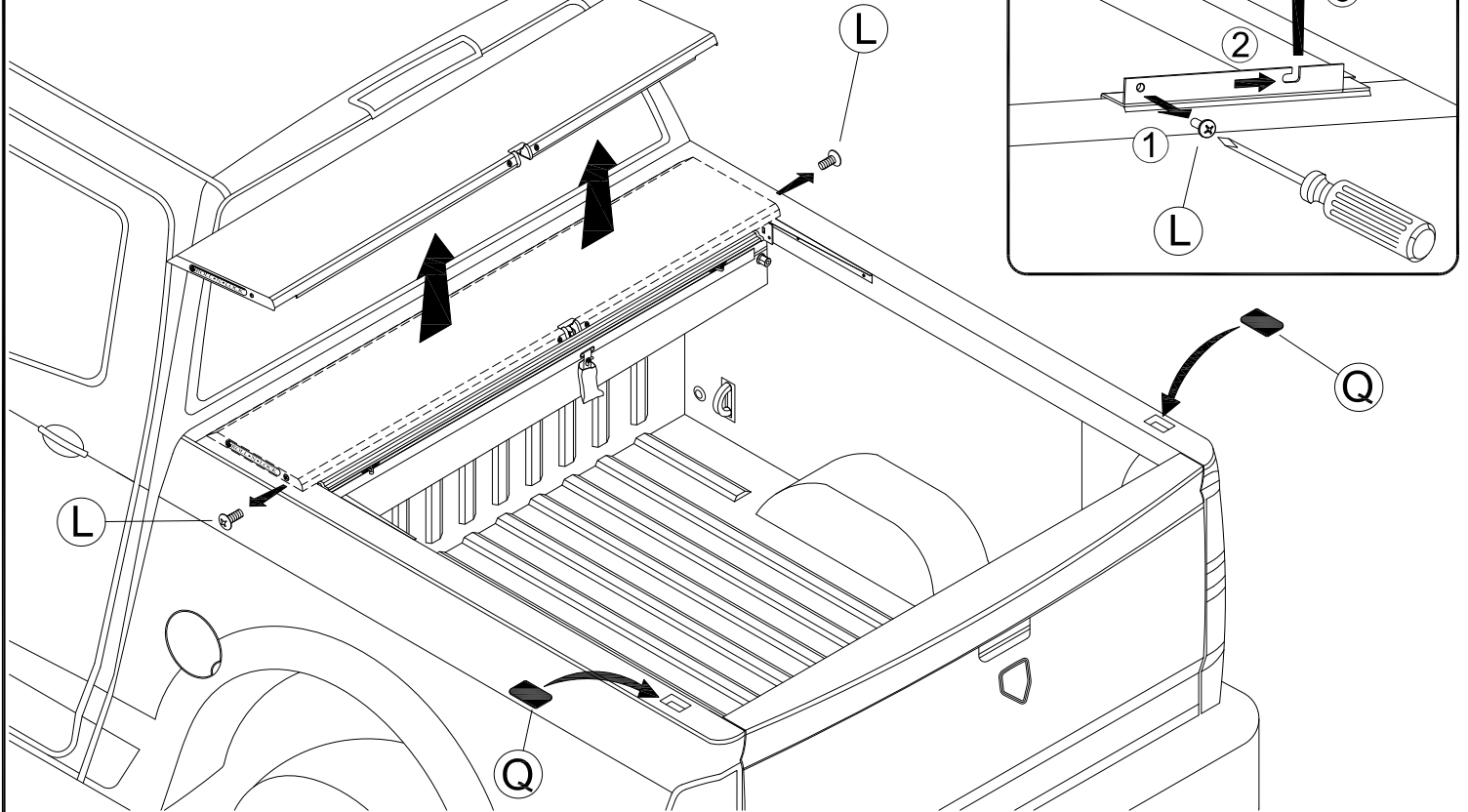
2 LHS = RHS



Place Housing  $\text{\textcircled{A}}$  assembly centered onto the Track Mounting Flanges.

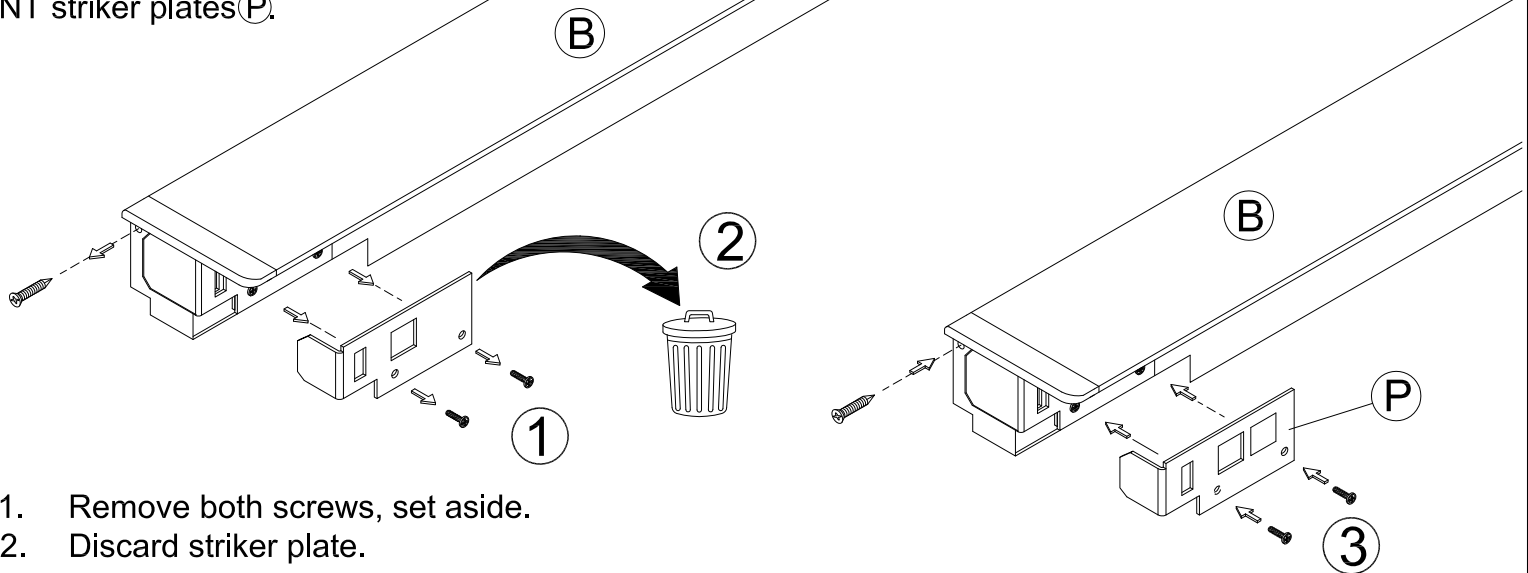
3 LHS = RHS

Remove lid.  
Optional - Stick on Stake  
Hole Cover **Q**.



4 LHS = RHS

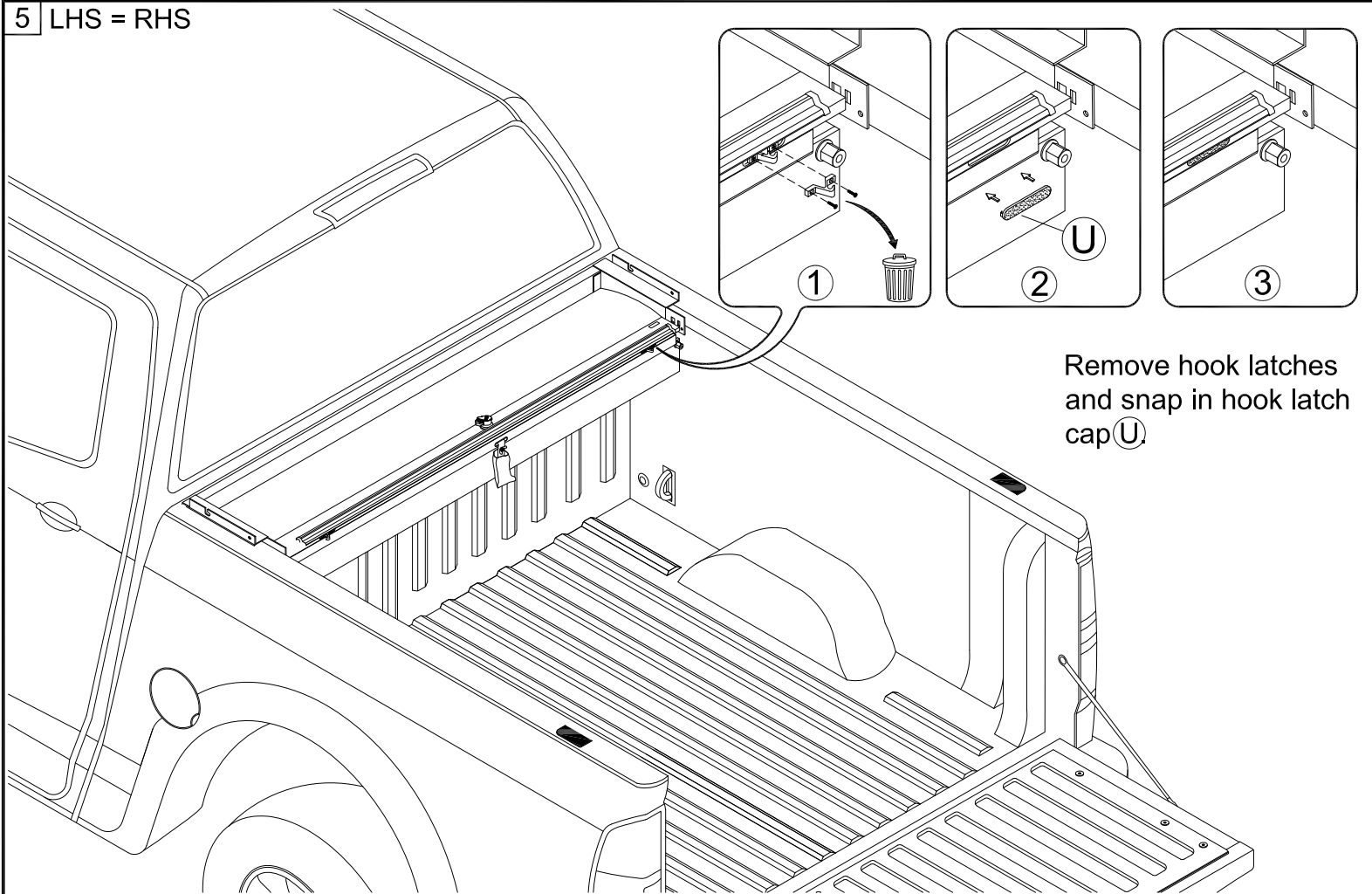
On the end of each  
Track replace the STD  
striker plates with the  
NT striker plates **P**.



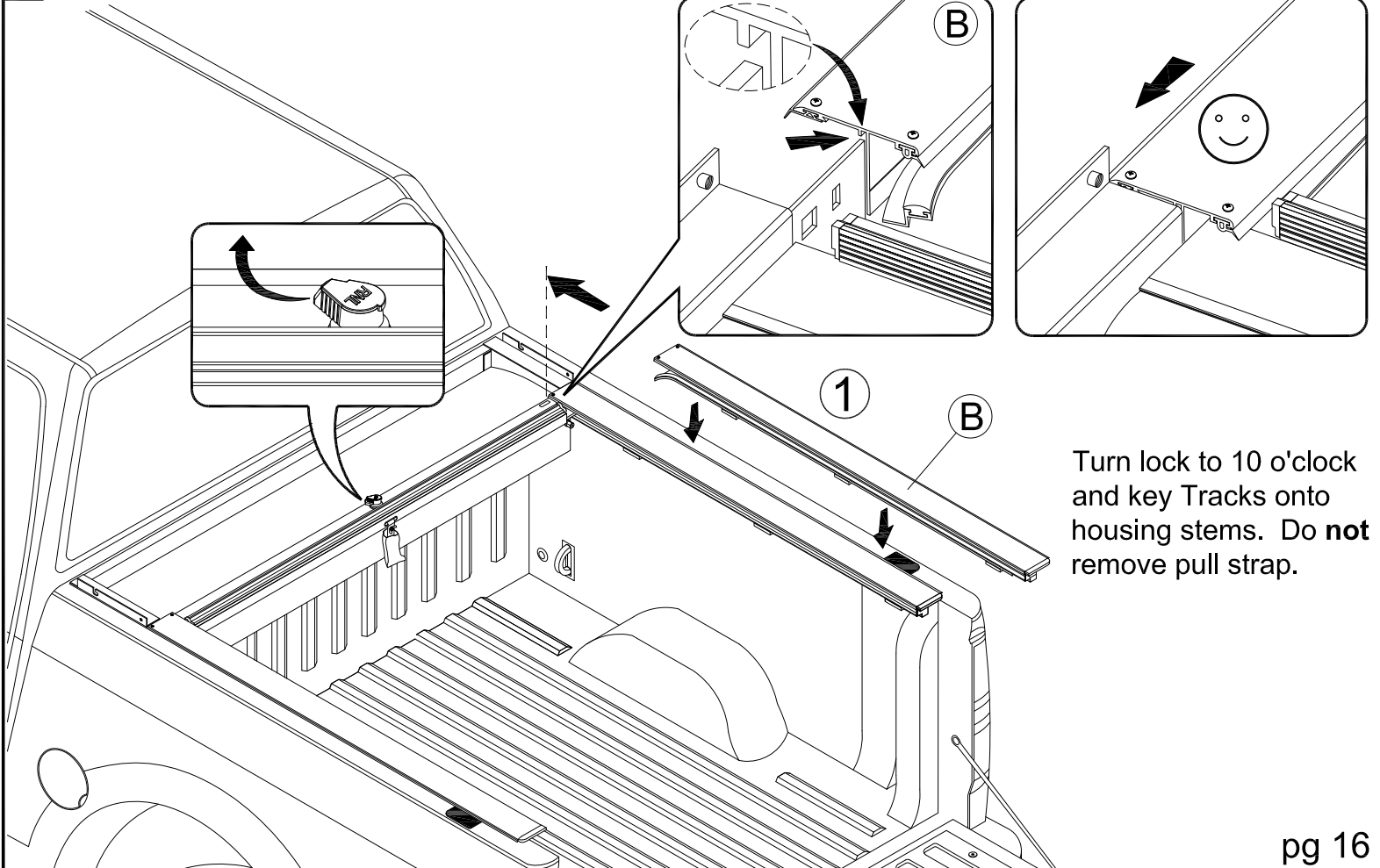
1. Remove both screws, set aside.
2. Discard striker plate.

3. Replace with supplied NT striker plate **P** and secure with screws.

5 LHS = RHS

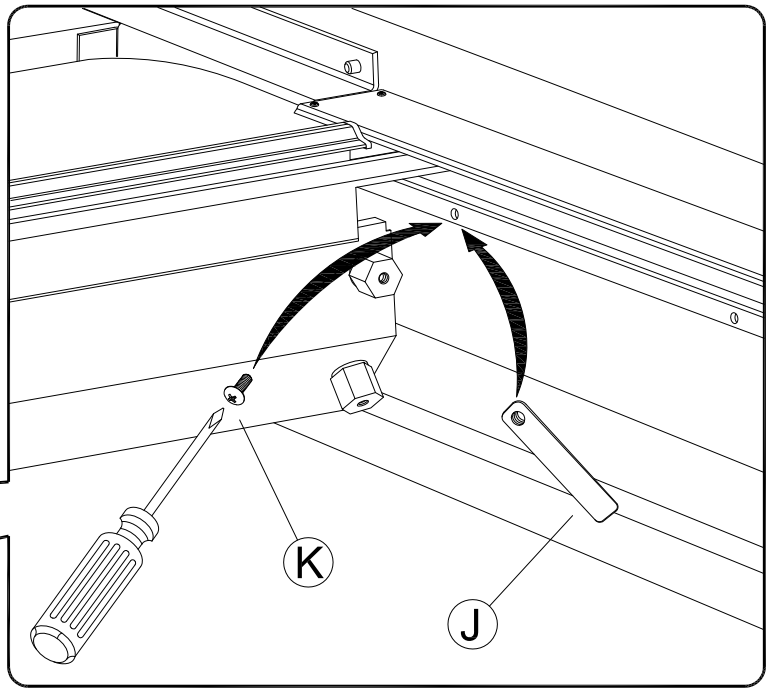
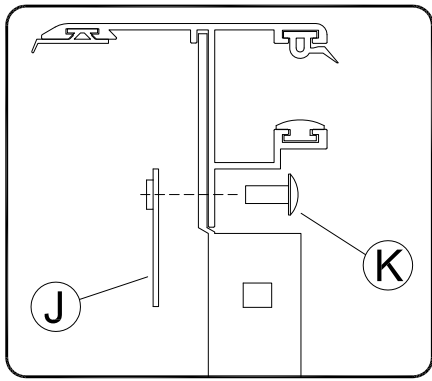


6 LHS = RHS





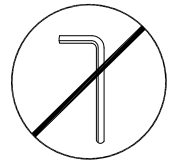
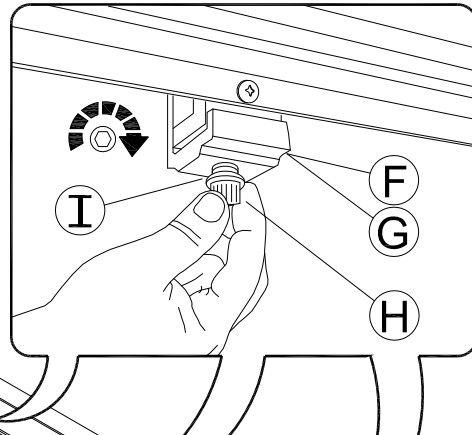
7 LHS = RHS



Secure Tracks to housing stems.

8 LHS = RHS

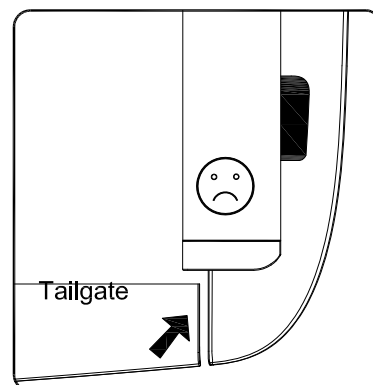
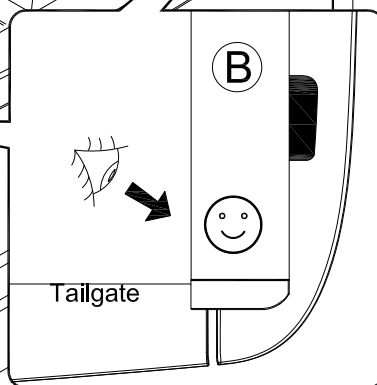
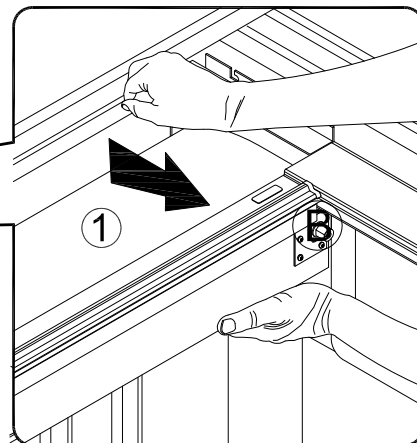
Loosely attach the Bed Clamps to the Track Clamps.  
Note location of ("X") clamp (F).



\*Note location of (F) ("X") clamp.

9 LHS = RHS

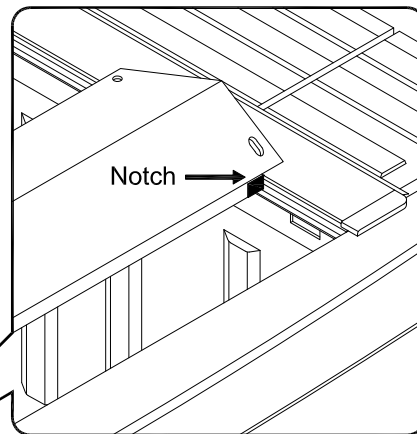
Carefully close tailgate, shift the housing back so the end of the tracks are up against the tailgate and the inside of the track is up against the tailgate extrusion.



10 LHS = RHS

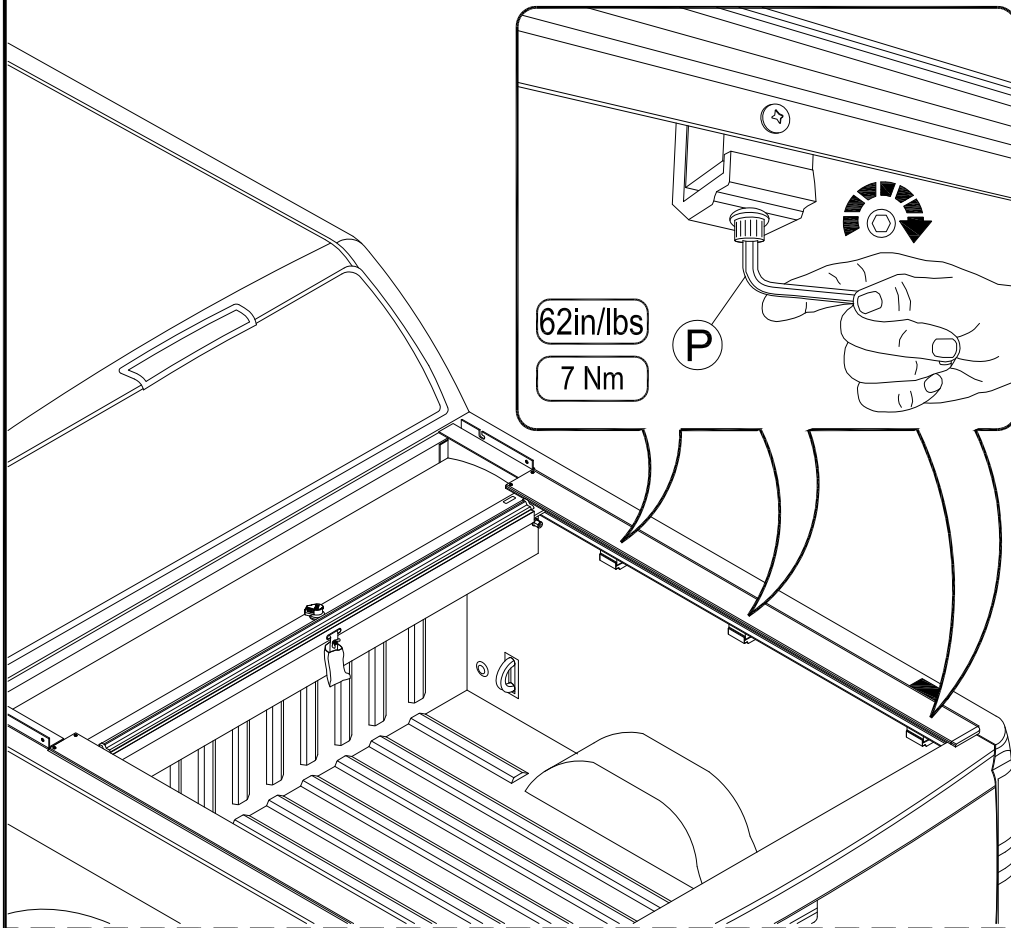
59 1/4"

59 1/4"

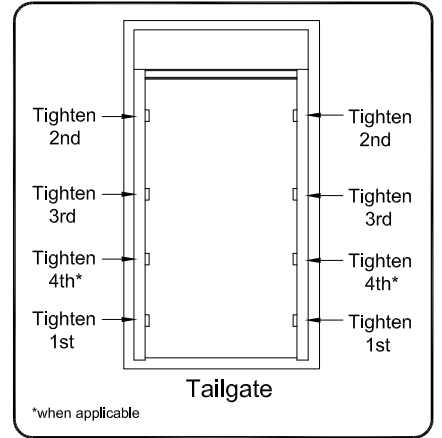


Use Cargo Shield<sup>®</sup> D notches to ensure correct spacing of tracks.

D

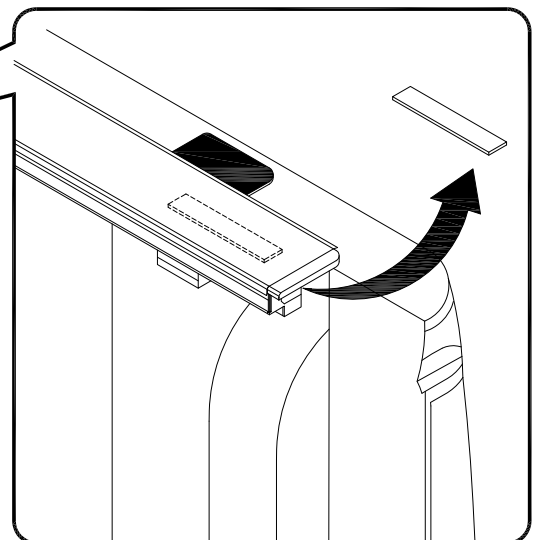
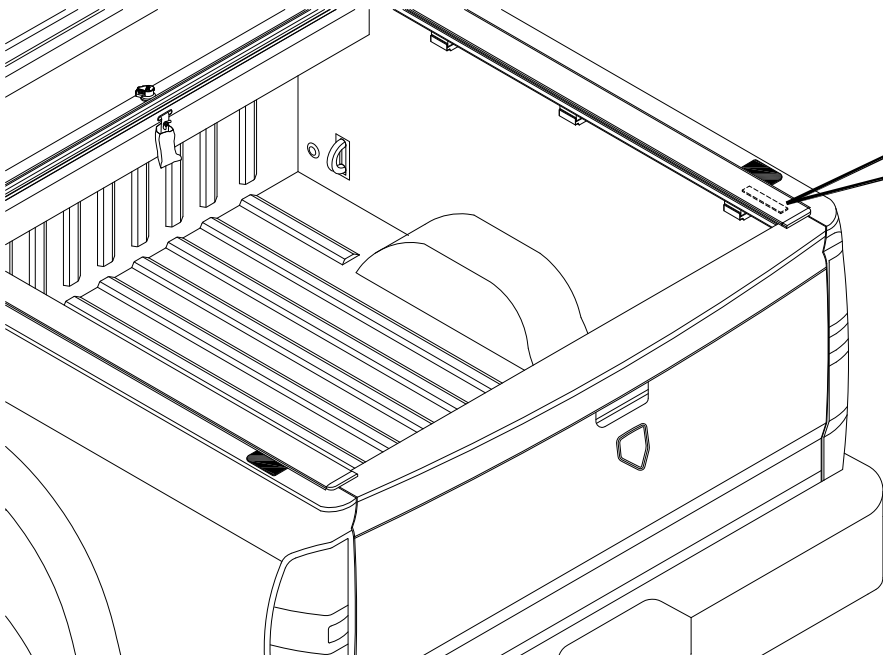
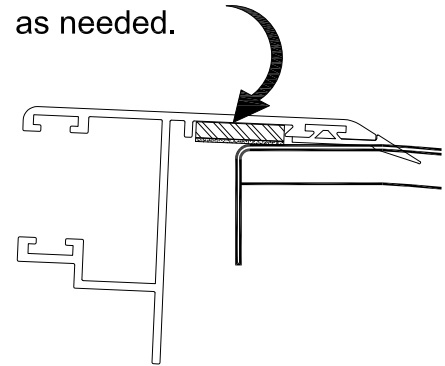


Tighten bed clamps to the track clamps. Note: When tight there may be a gap between the clamps, do not over tighten.



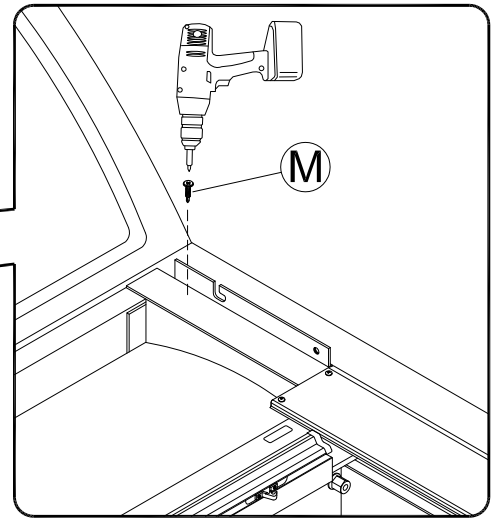
If Track(s) rotate up then remove the bed clamps and lift up track to remove shim on the underside of the track at the tailgate. Reposition tracks and reattach clamps and tighten.

Remove shim as needed.

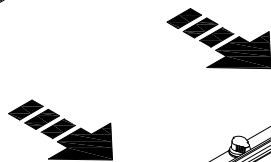
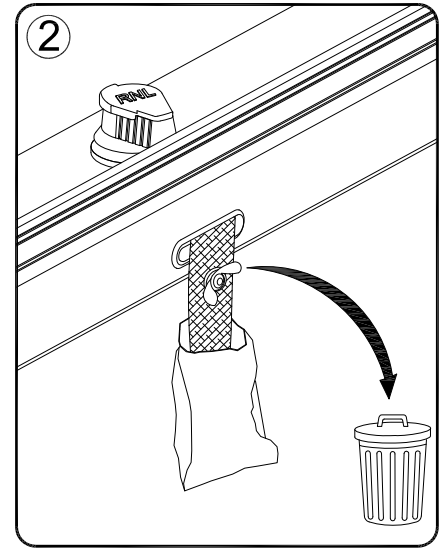
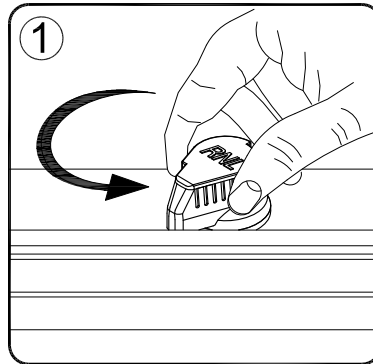


12 LHS = RHS

Screw housing to mounting flange.



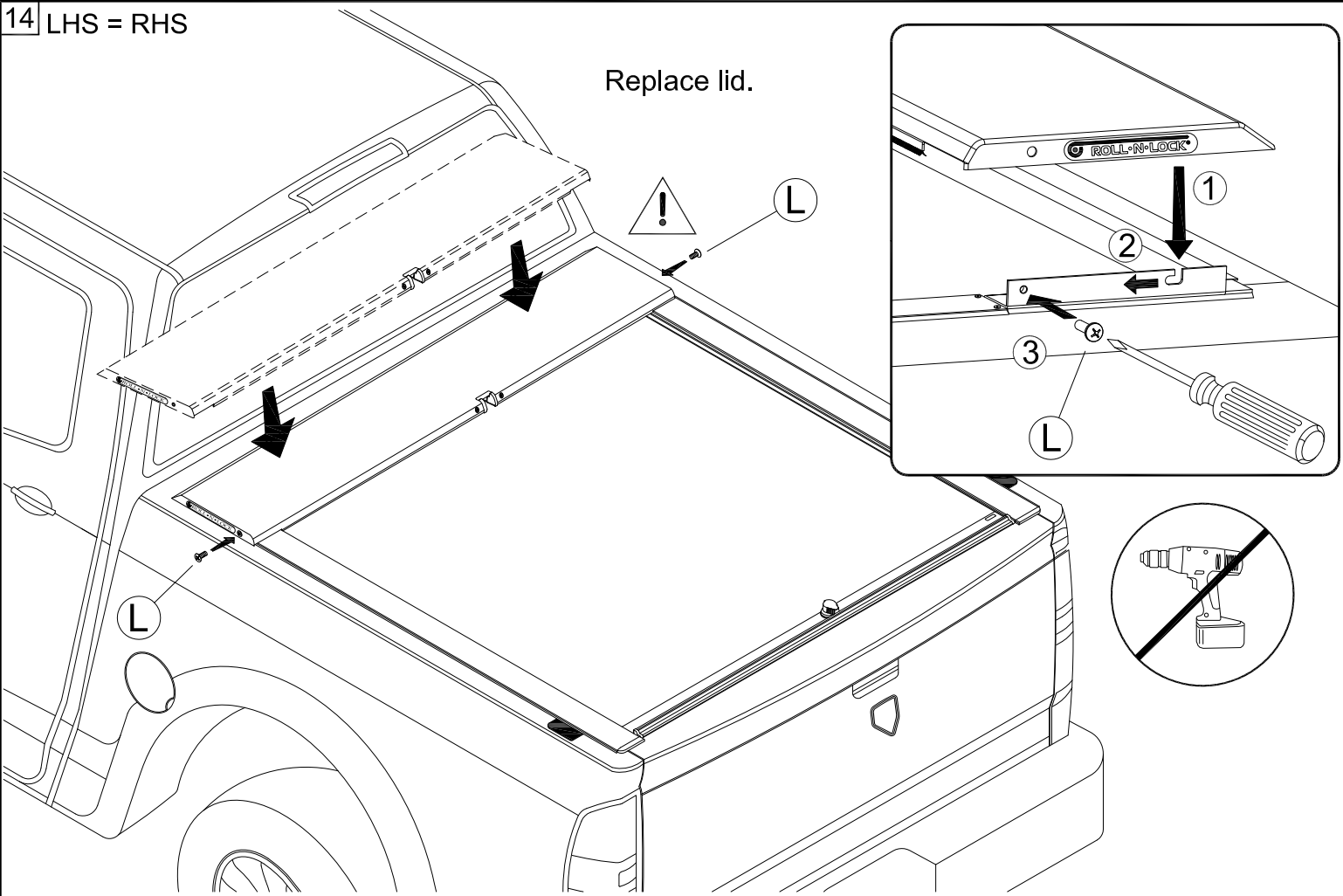
13



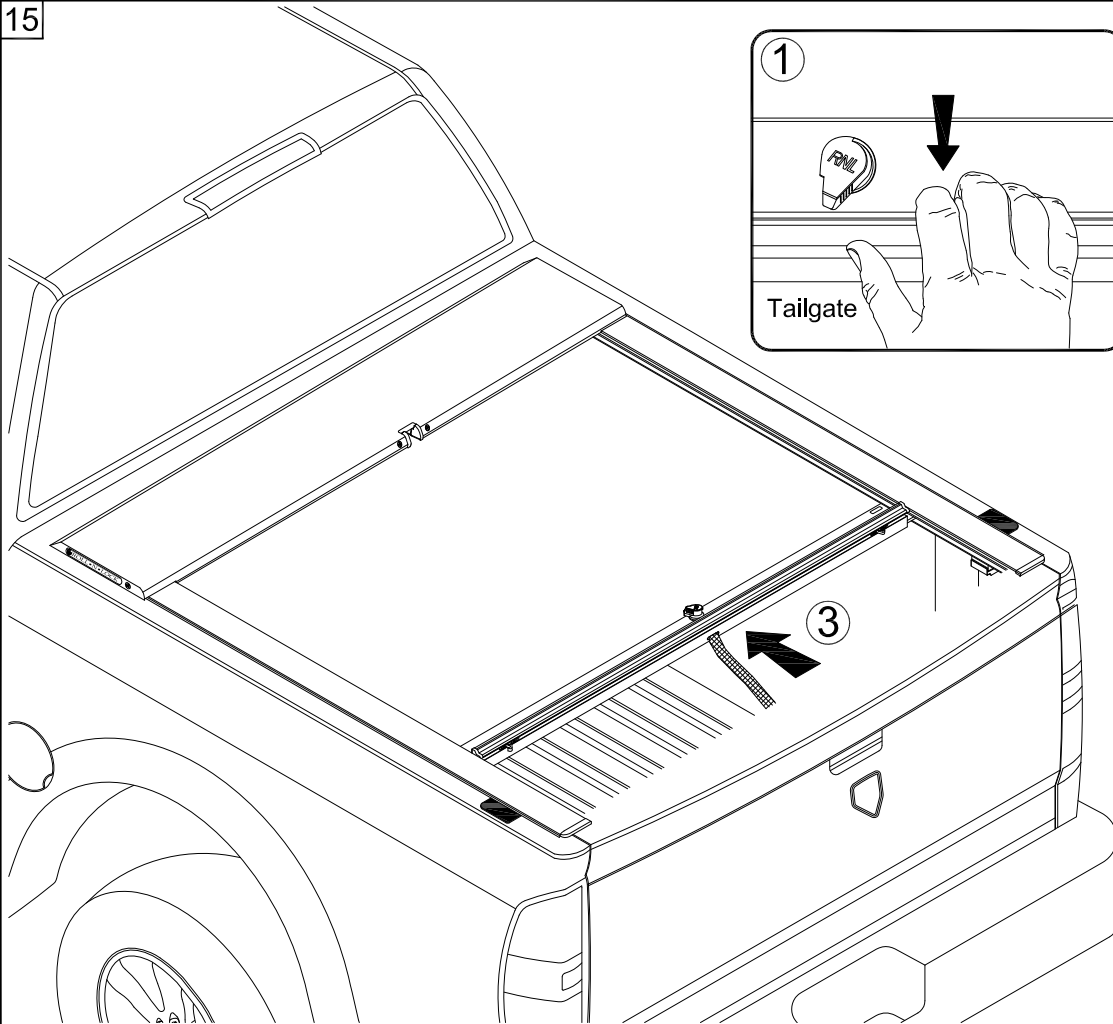
Turn lock to 7 o'clock, remove plastic wing nut and pull cover back to tailgate.

14 LHS = RHS

Replace lid.

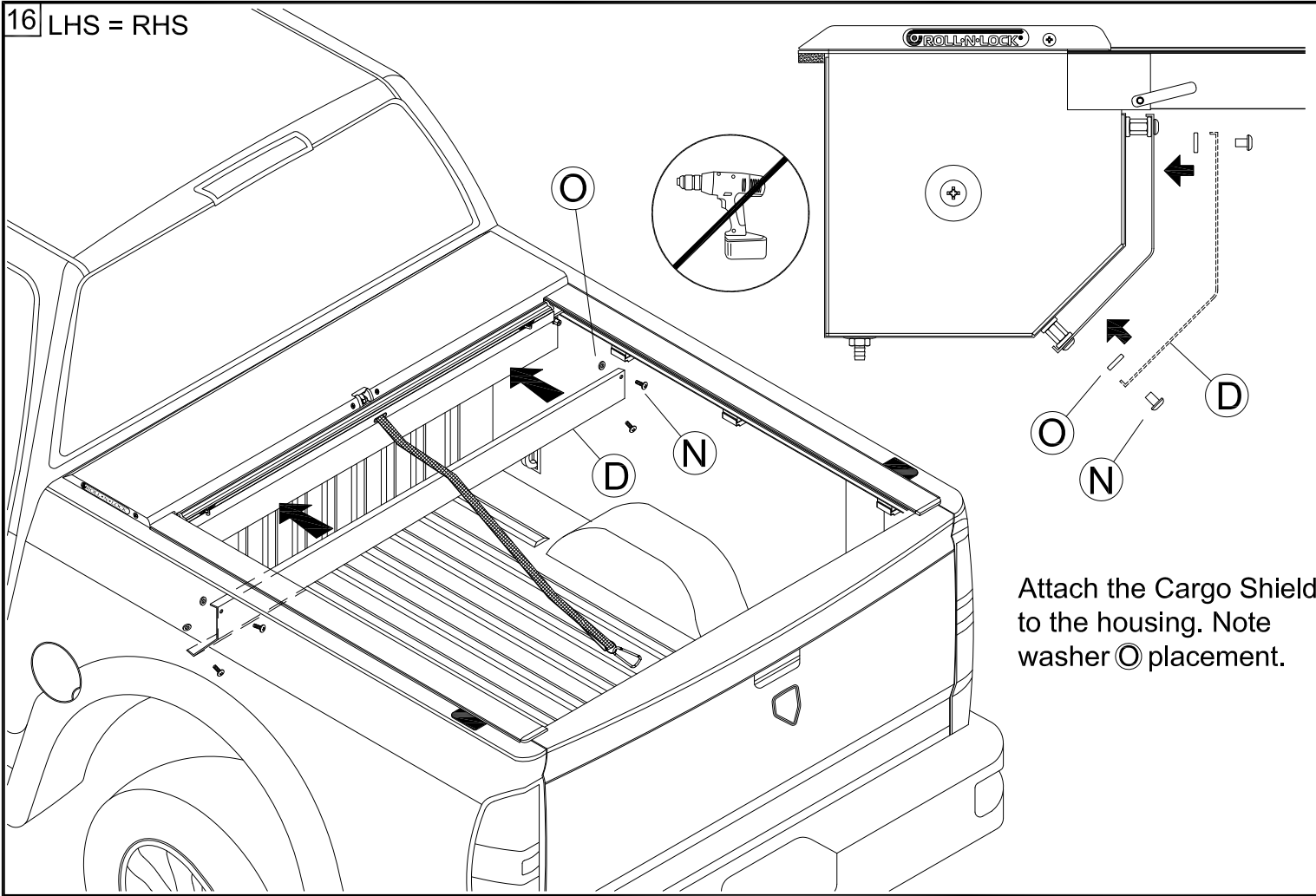


15



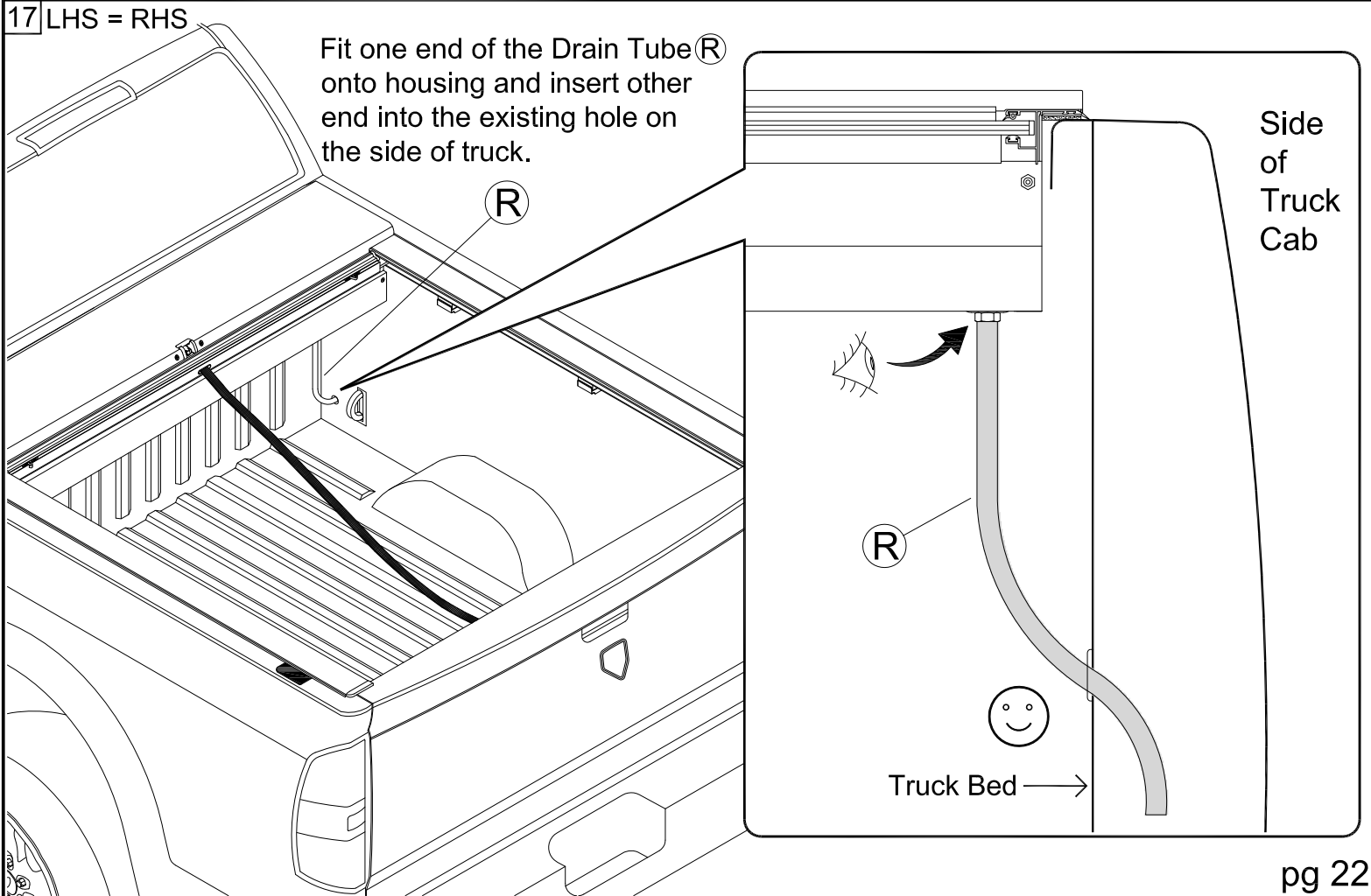
To open cover pull back on the handle, turn the lock to 10 o'clock and let the cover retract into the housing while holding onto the pull-strap.

16 LHS = RHS



Attach the Cargo Shield **D** to the housing. Note washer **O** placement.

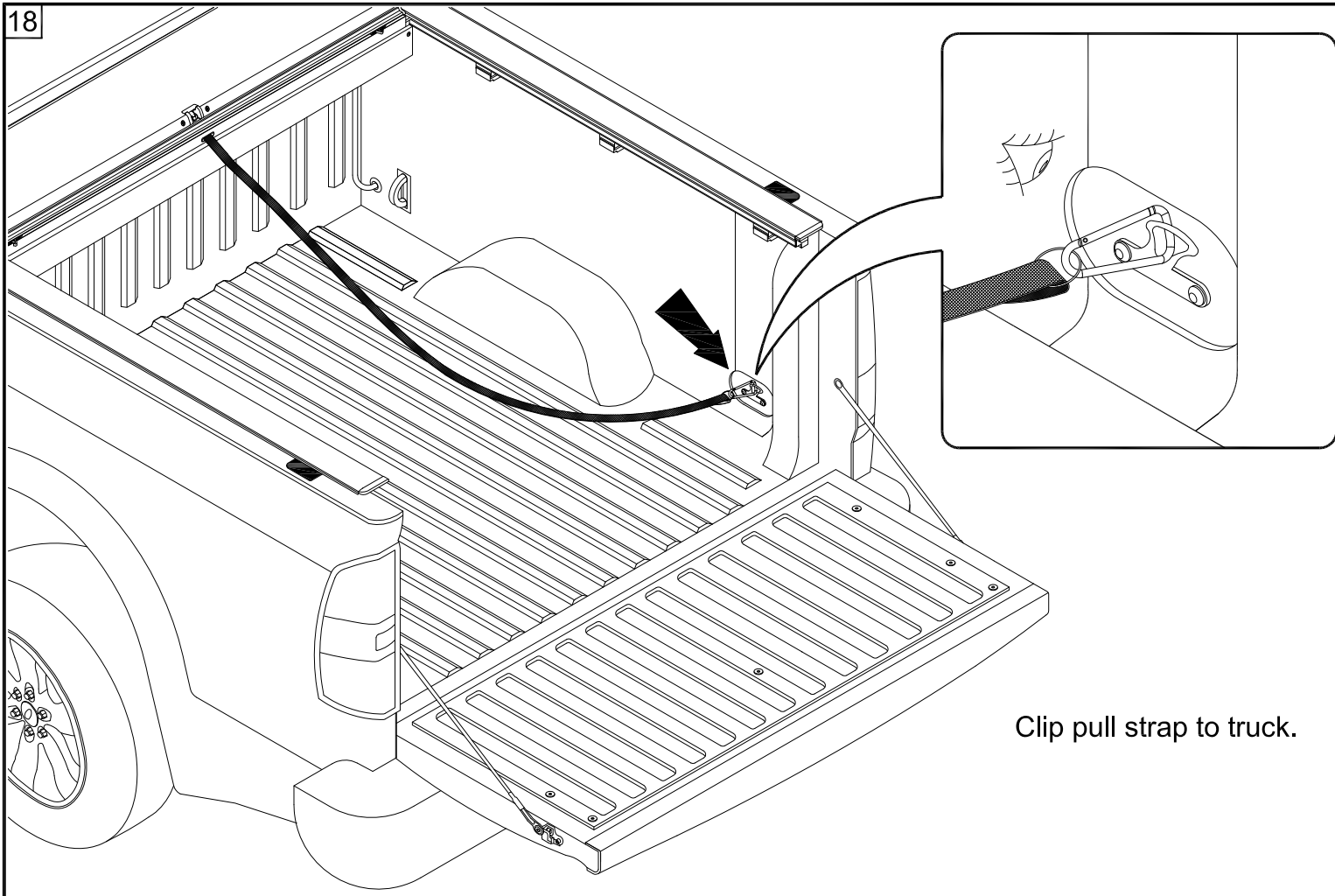
17 LHS = RHS



Fit one end of the Drain Tube **R** onto housing and insert other end into the existing hole on the side of truck.

Side of Truck Cab

Truck Bed →



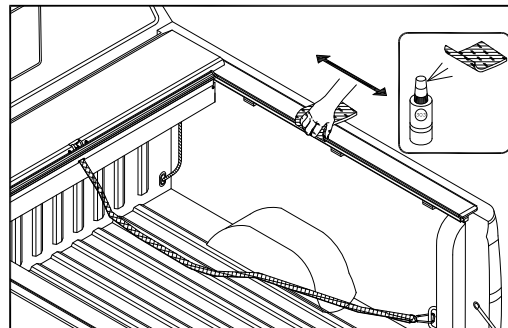
Clip pull strap to truck.

# Troubleshooting

Cover is hard to pull or retract.



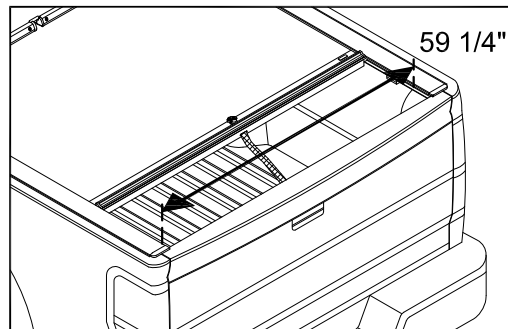
Spray 303<sup>®</sup> on a rag and wipe the top gasket in the Track back and forth.



Cover does not latch.



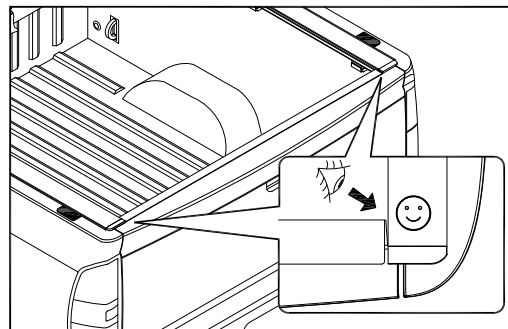
Check track to track measurement.



Cover does reach tailgate.



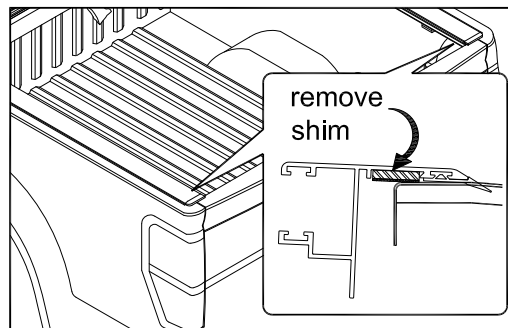
Make sure Tracks are back against tailgate.



Track tips up.



Remove shim on the underside of the track(s).



Any questions please call Customer Service at 800-952-7655  
or email [customerservice@rollnlock.com](mailto:customerservice@rollnlock.com)