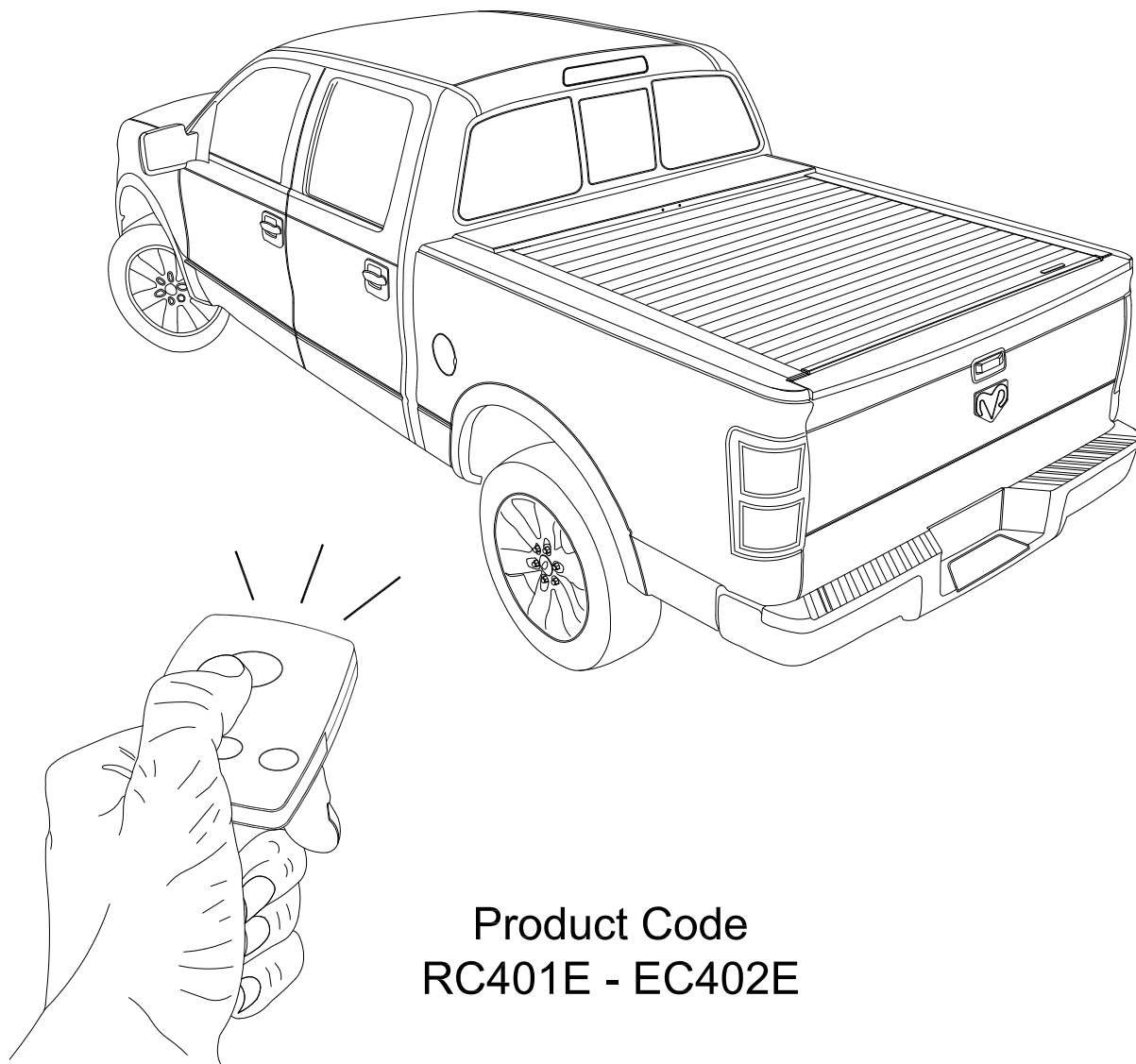




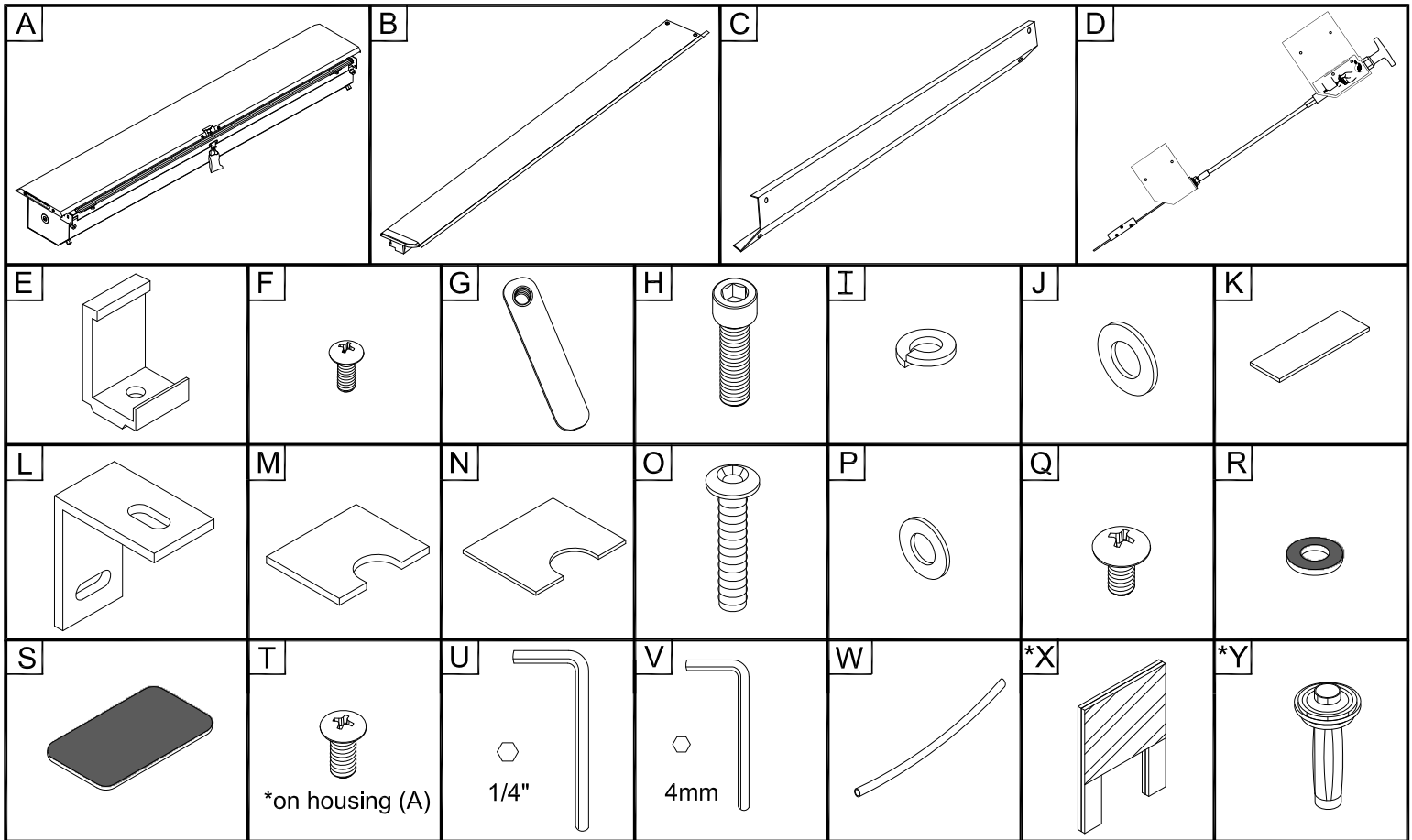
E Series Installation Guide 2019 Ram



Product Code
RC401E - EC402E

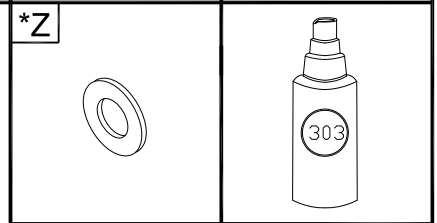
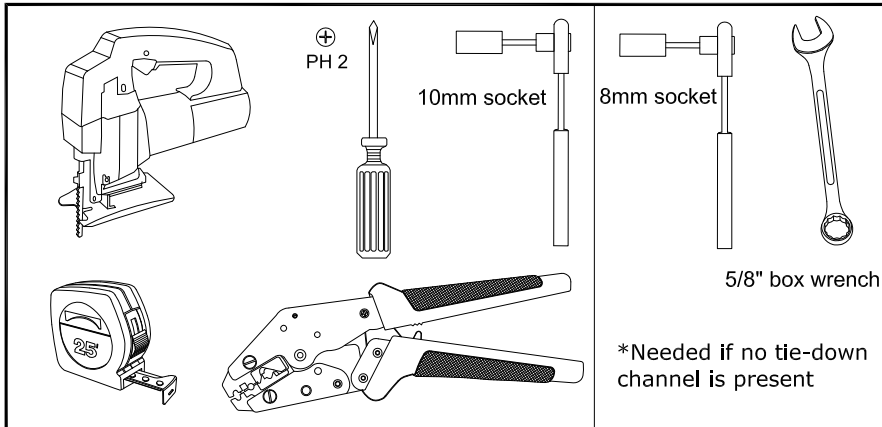
Parts List

Item	Part Name	Qty.	Item	Part Name	Qty.	Item	Part Name	Qty.
A	Housing	1	J	5/16 Flat Washer	2	S	Stake Hole Cover	2
B	Track	2	K	1 3/8" x 3/8" Shim	4	T	1/4" - 20 Lid Screw	2
C	Cargo Shield/Track spacer	1	L	3" x 3" Track Angle	2	U	Allen Wrench (1/4")	1
D	Override Cable	1	M	1/8" Thick Bed Clamp Shim	2	V	Allen Wrench (4mm)	1
E	Bed Clamp	4/6	N	1/16" Thick Bed Clamp Shim	4	W	Drain Tubes	2
F	#10-24 Screw	6	O	6mm x 40mm Bolt	2	*X	*Clamp Angle Shim	2
G	Cargo Nut	6	P	M6 Washer	2	*Y	*Expansion Bolt	2
H	5/16" x 1" Cap Screw	6/8	Q	1/4-20 x 3/8" Screw	4	*Z	*1/4" x 5/8 Washer	2
I	5/16" Lock Washer	6/8	R	Black Rubber Washer	4		303 Vinyl Protector	1



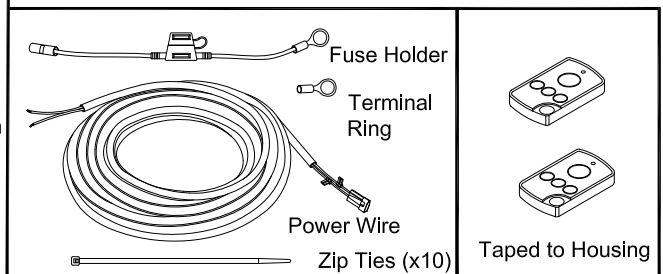
Tools Needed

*Use if no utility rails are present

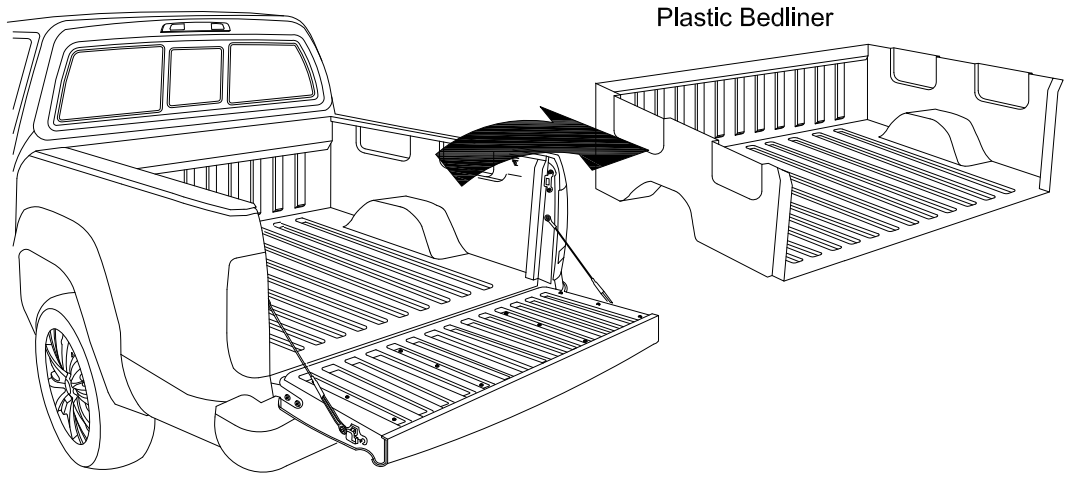


Power Wire / Connectors

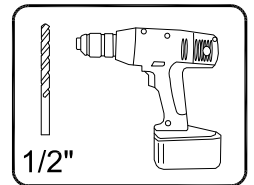
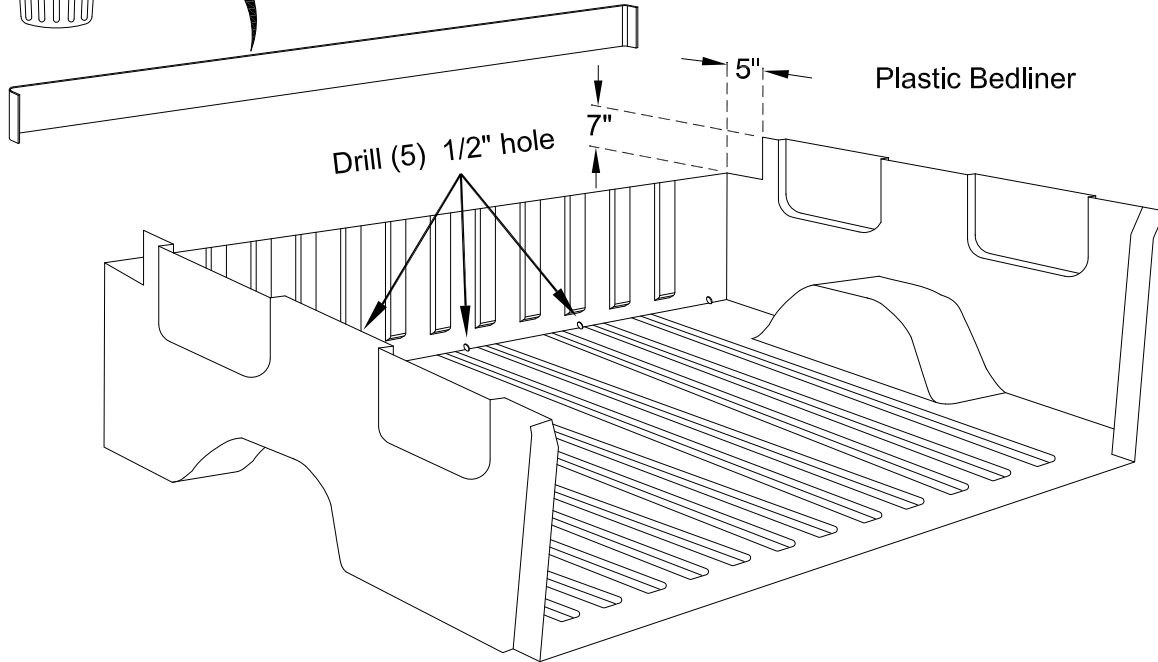
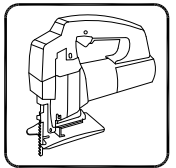
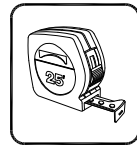
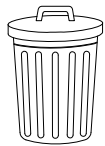
Remotes



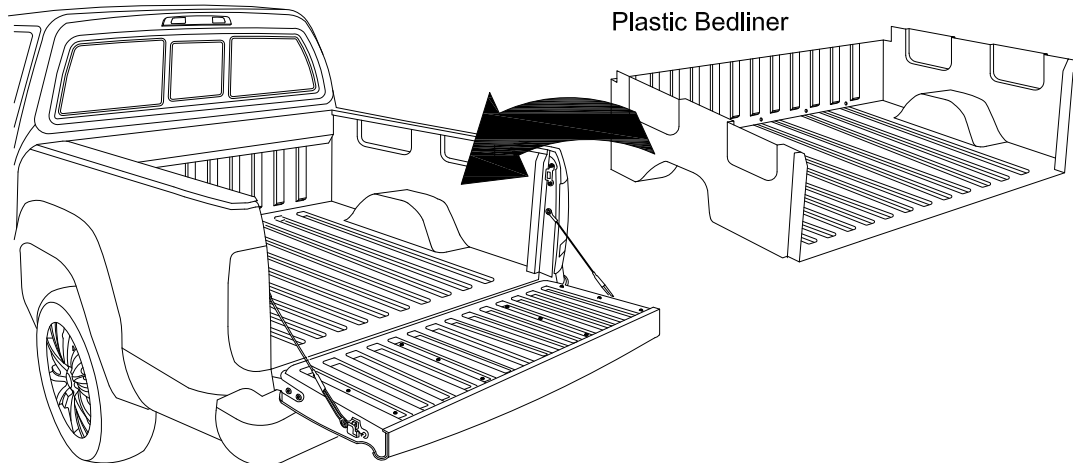
1a If no plastic bedliner present proceed to page 4



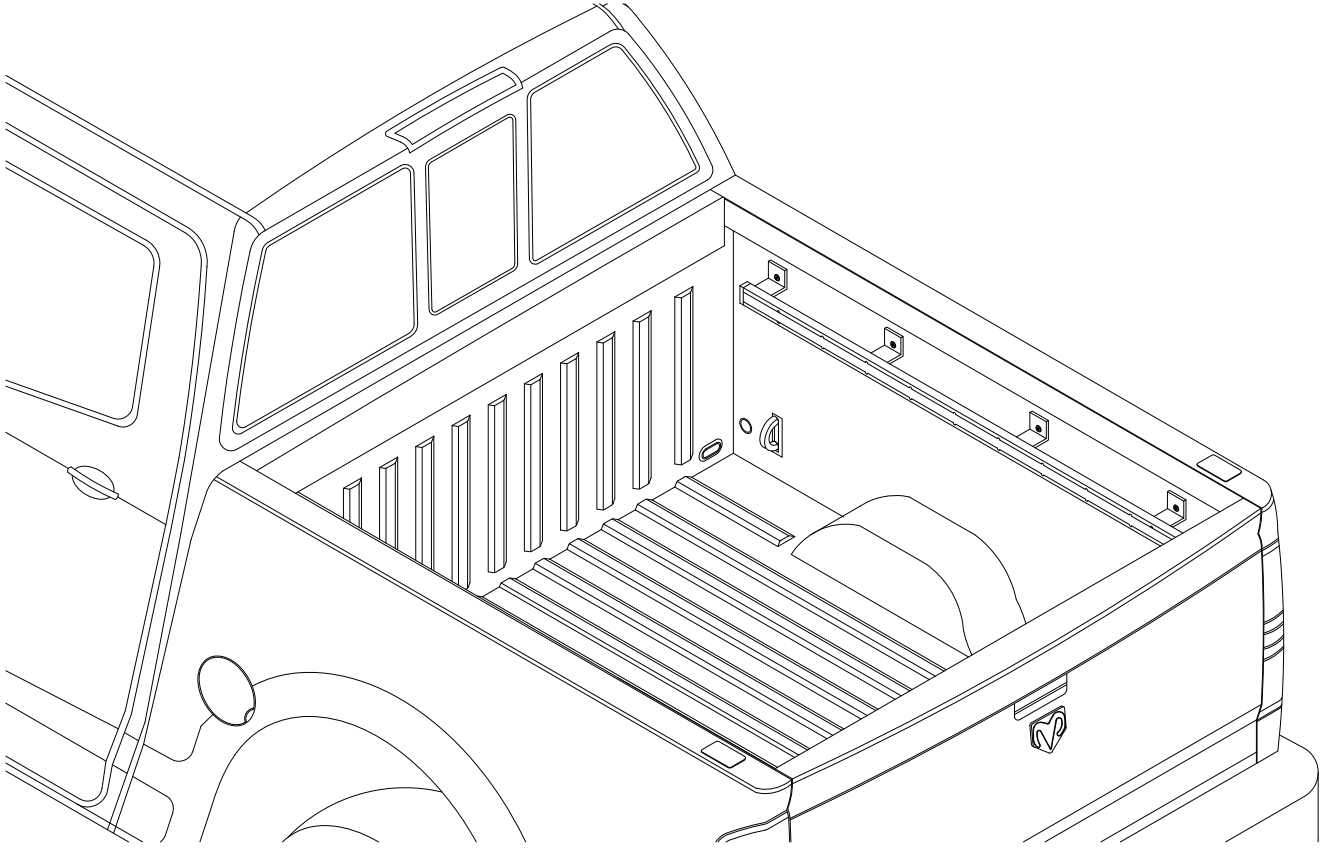
1b



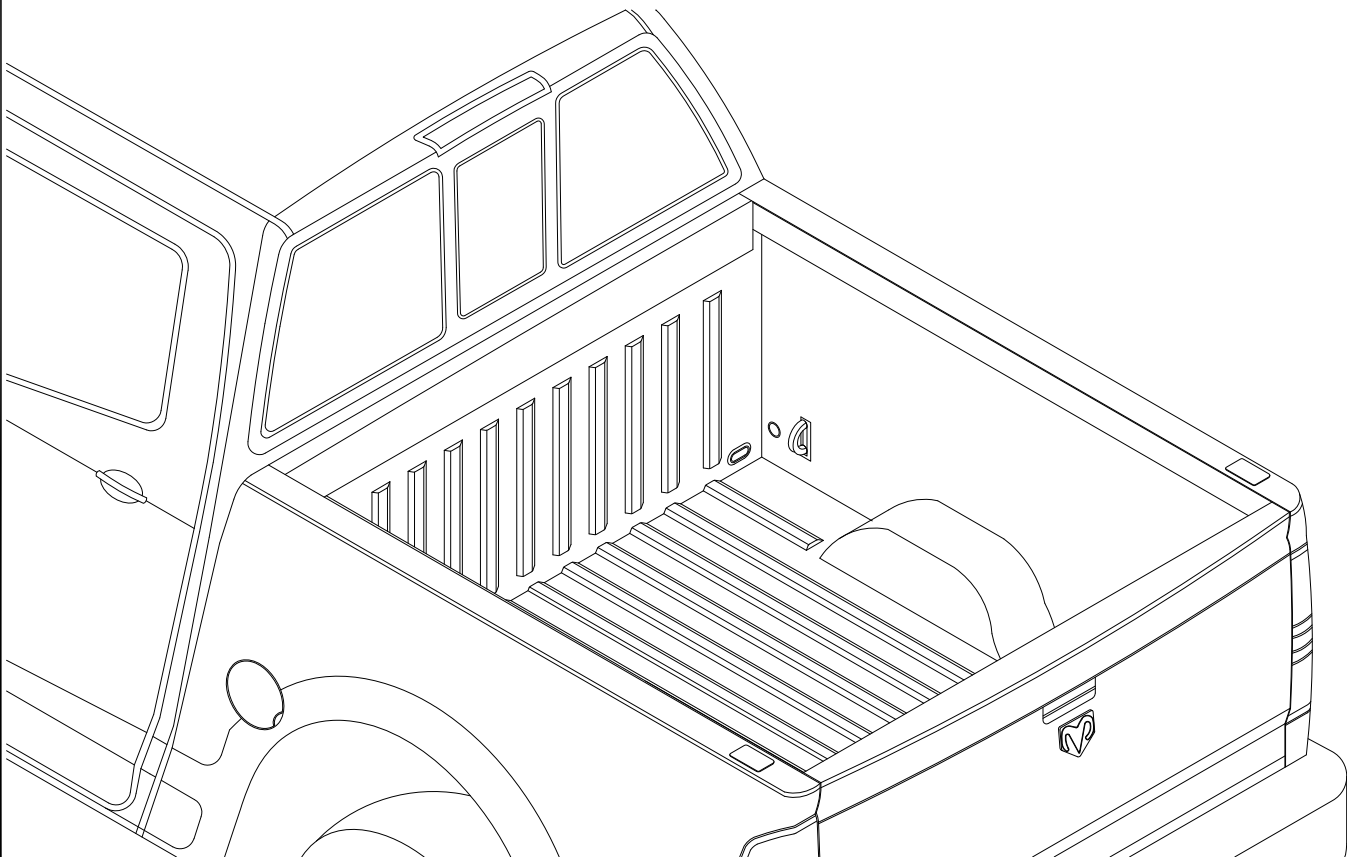
1c



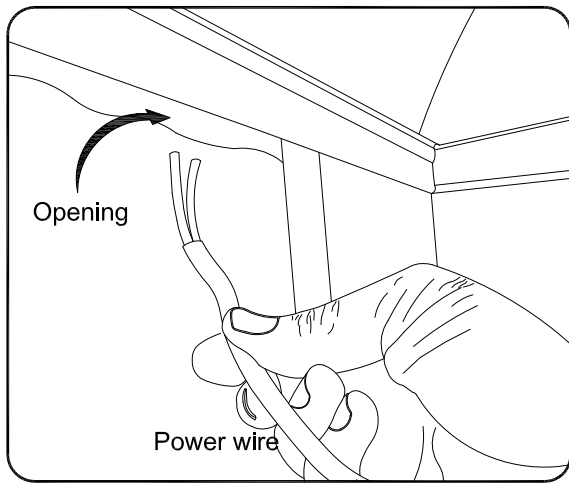
**IF THIS RAM IS IS EQUIPPED WITH UTILITY
RAILS REFER TO PAGES 5-15**



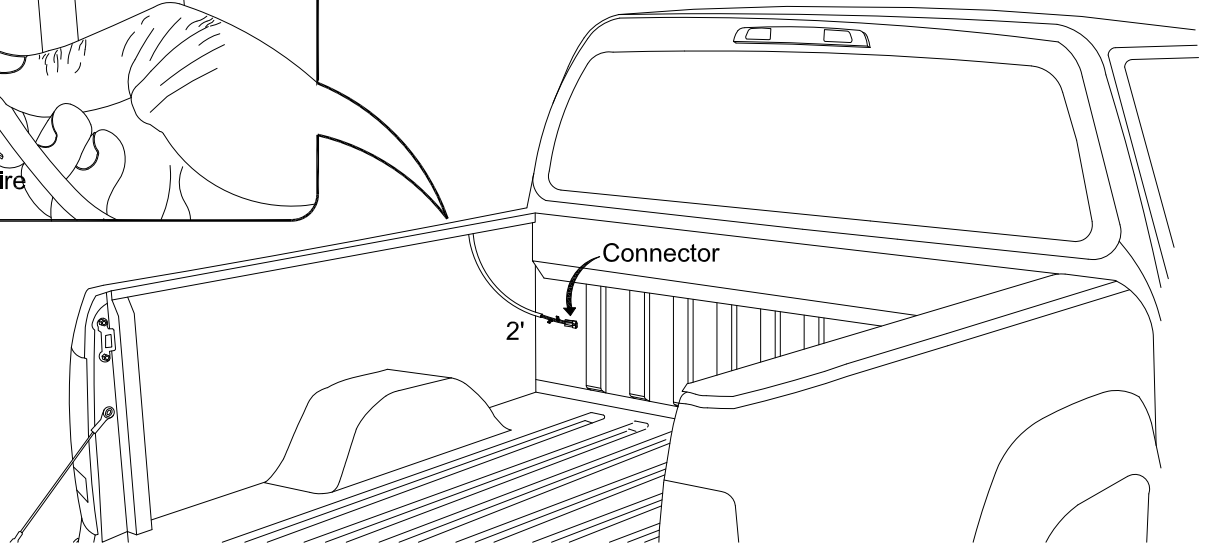
**IF THIS RAM IS NOT EQUIPPED WITH
UTILITY RAILS REFER TO PAGES 17-28**



1

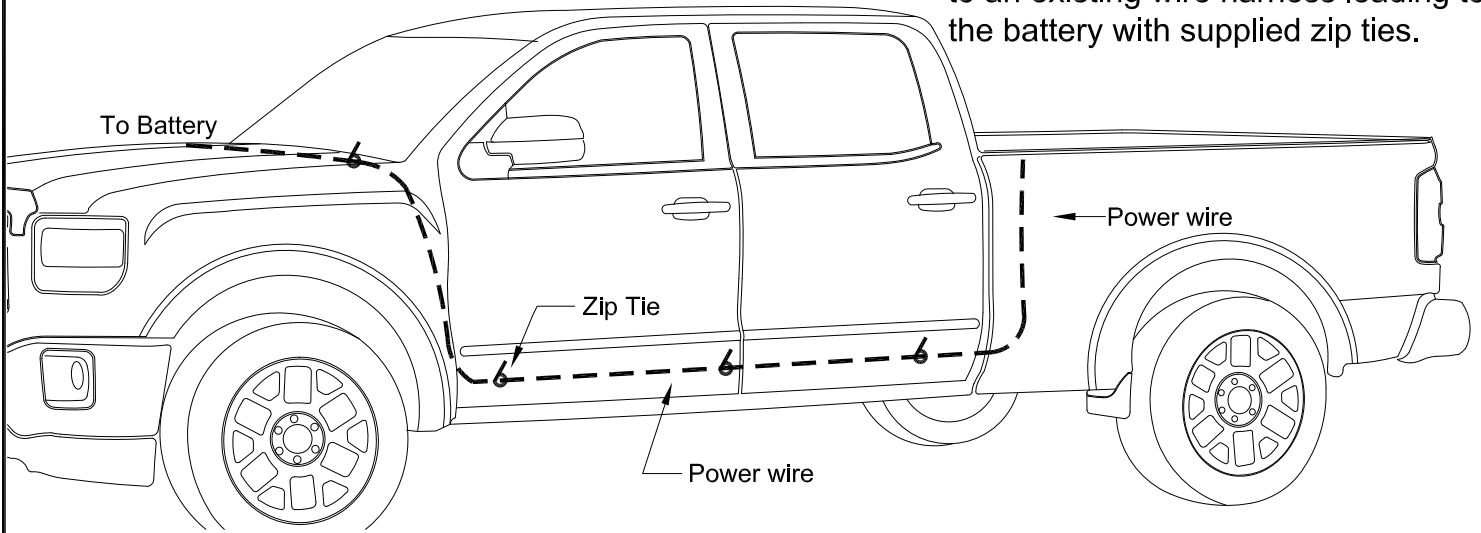


Feed end of power wire through the hole on the drivers side of truck, then down through the side panel to the ground.
Leave 2 feet of power wire in the truck bed.

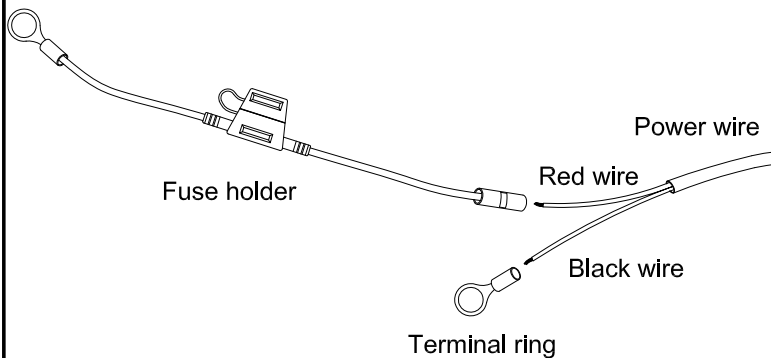


2

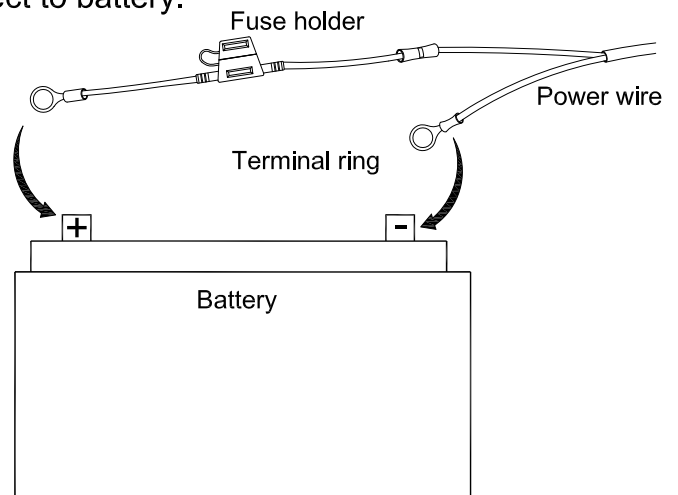
Feed power wire under the truck securing to an existing wire harness leading to the battery with supplied zip ties.



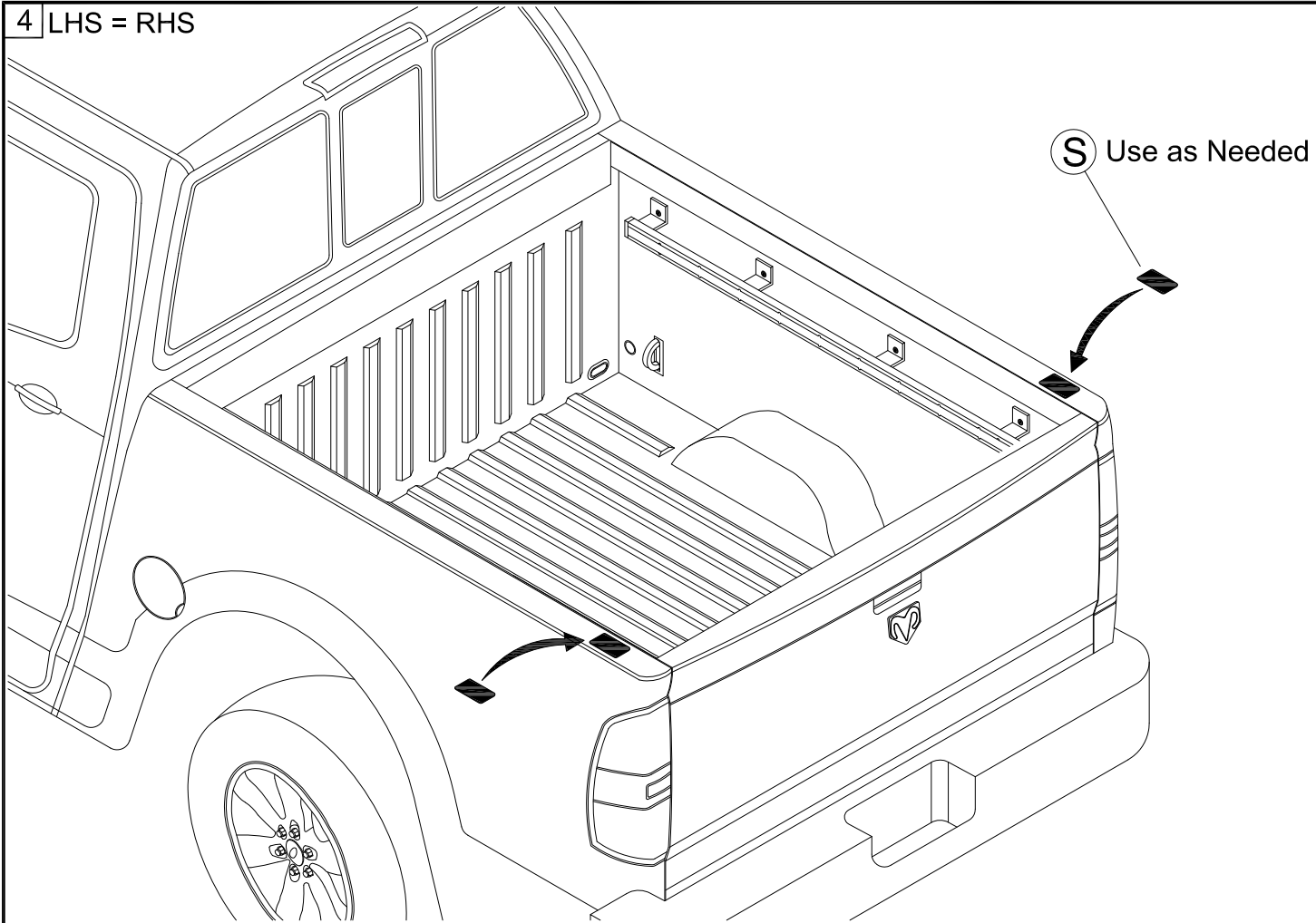
3 Crimp the fuse holder to the RED wire and the terminal ring to the Black wire.



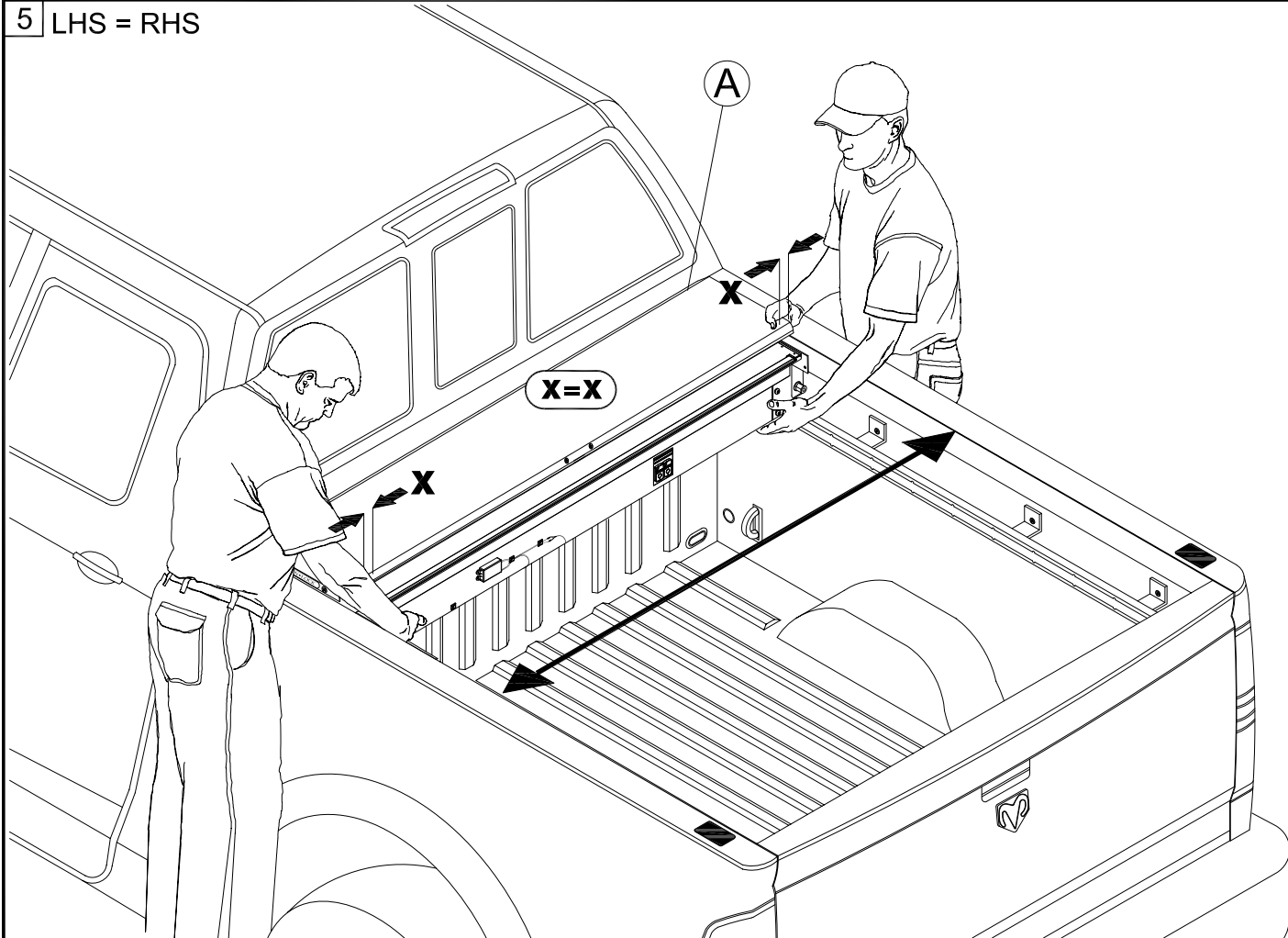
Connect to battery.



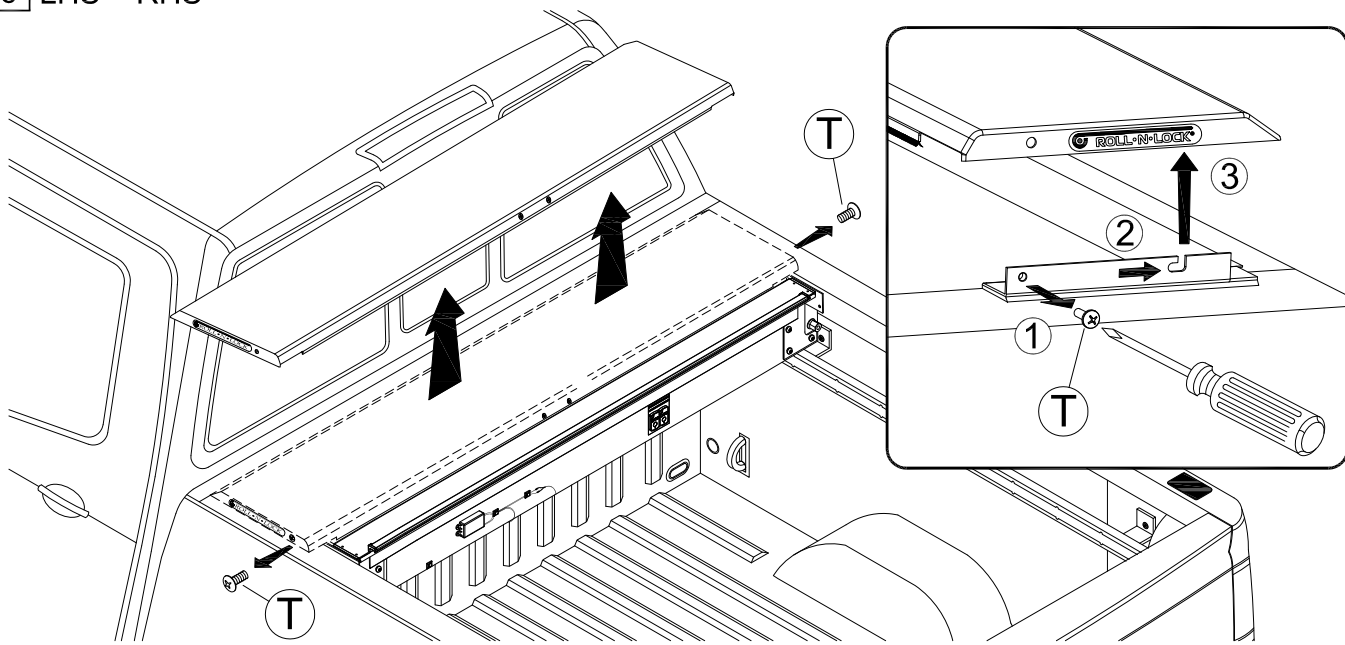
4 LHS = RHS



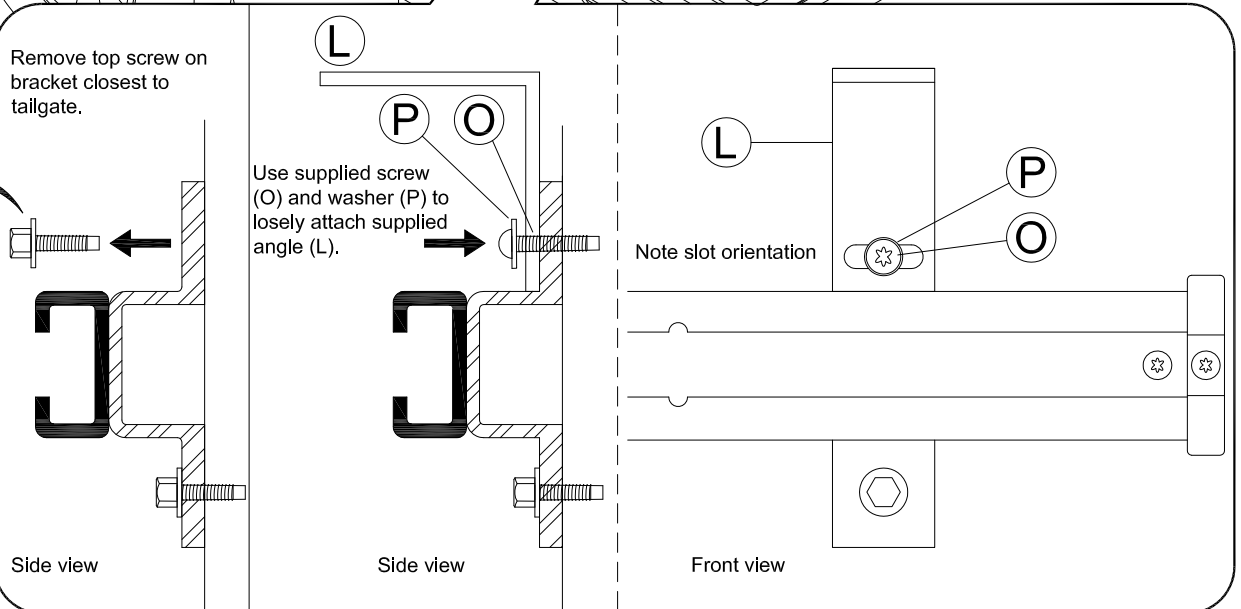
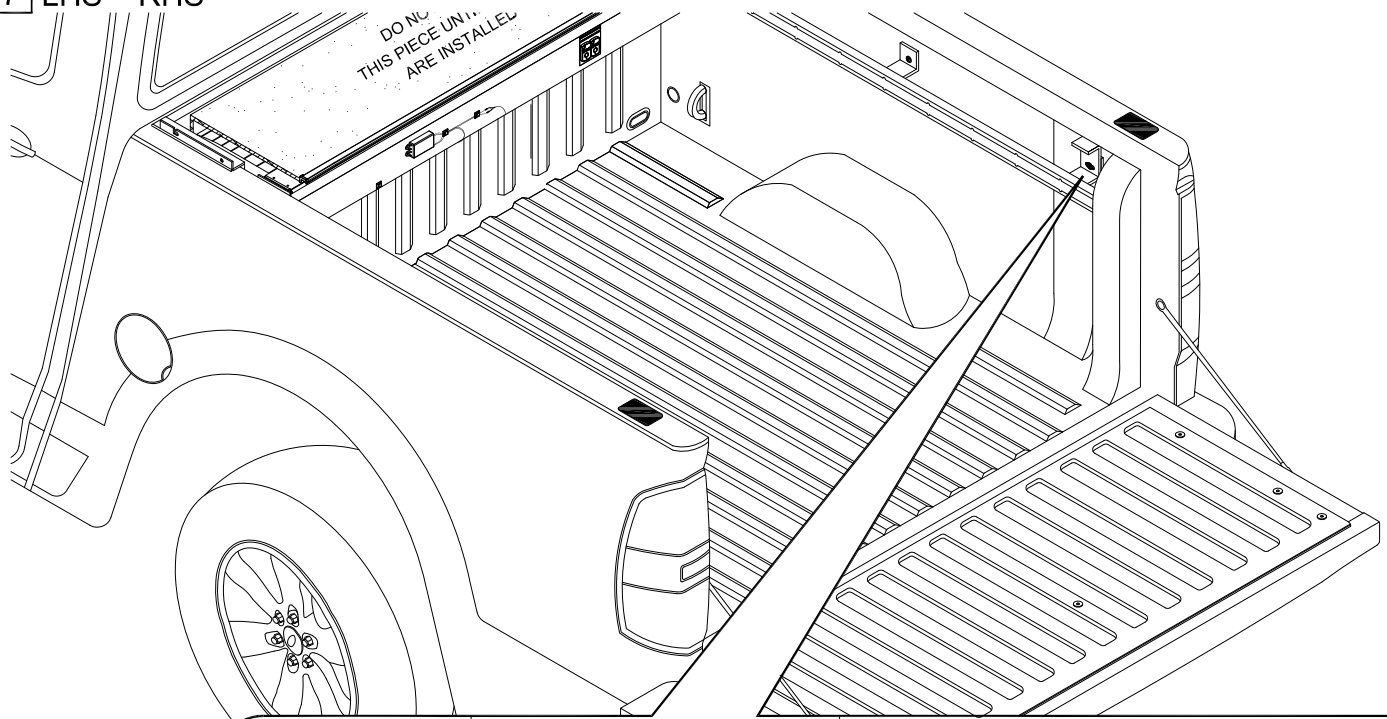
5 LHS = RHS



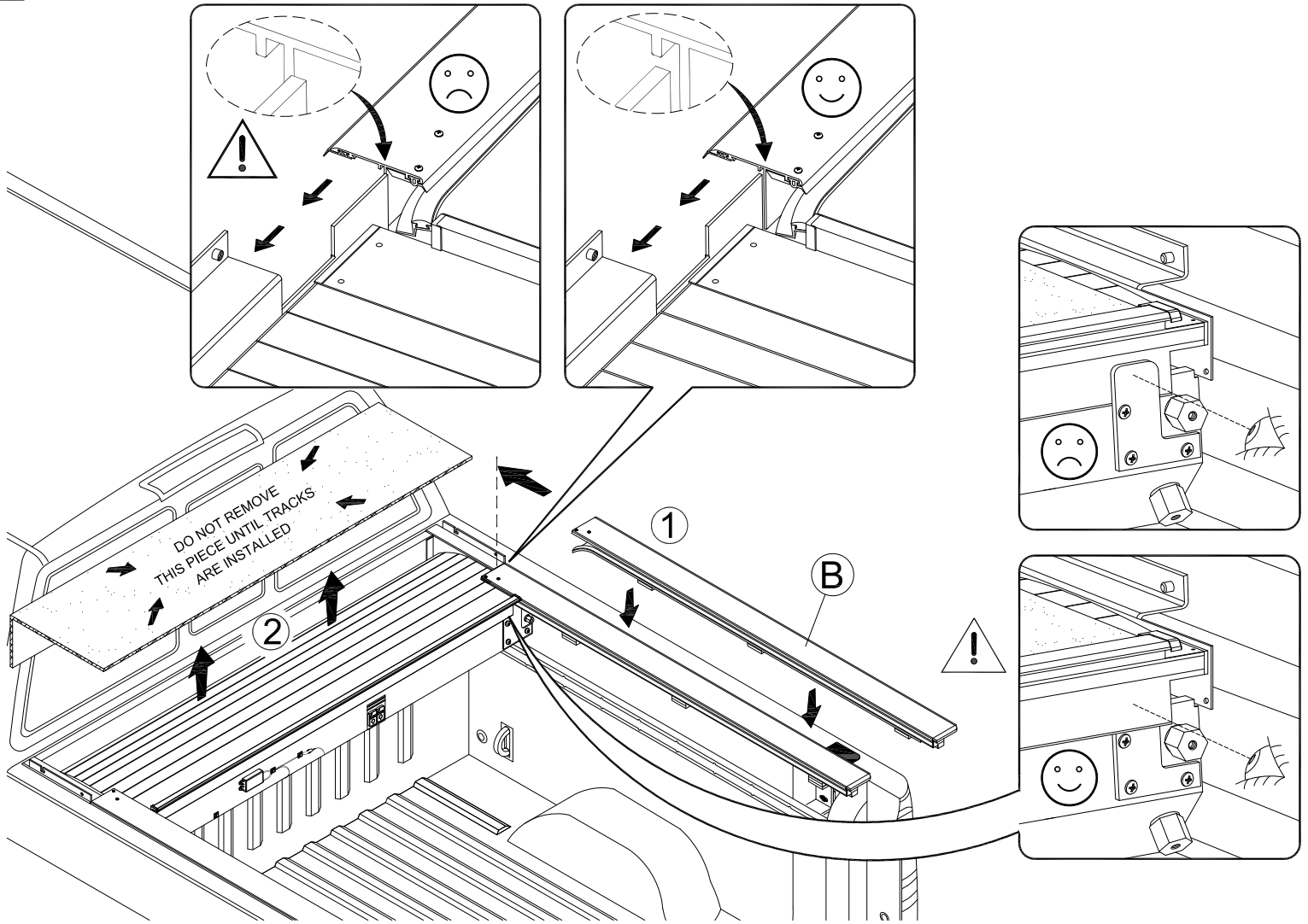
6 LHS = RHS



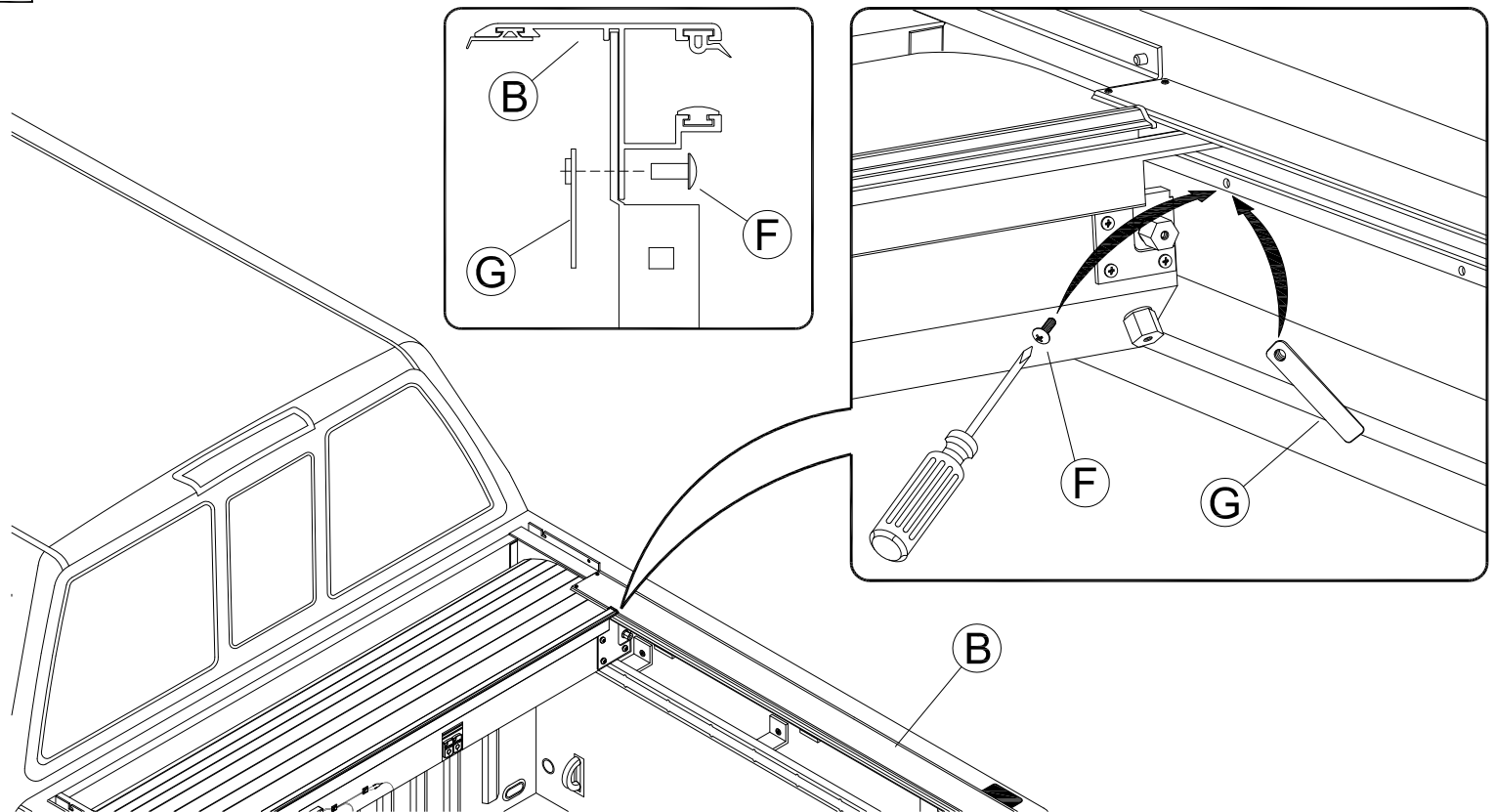
7 LHS = RHS



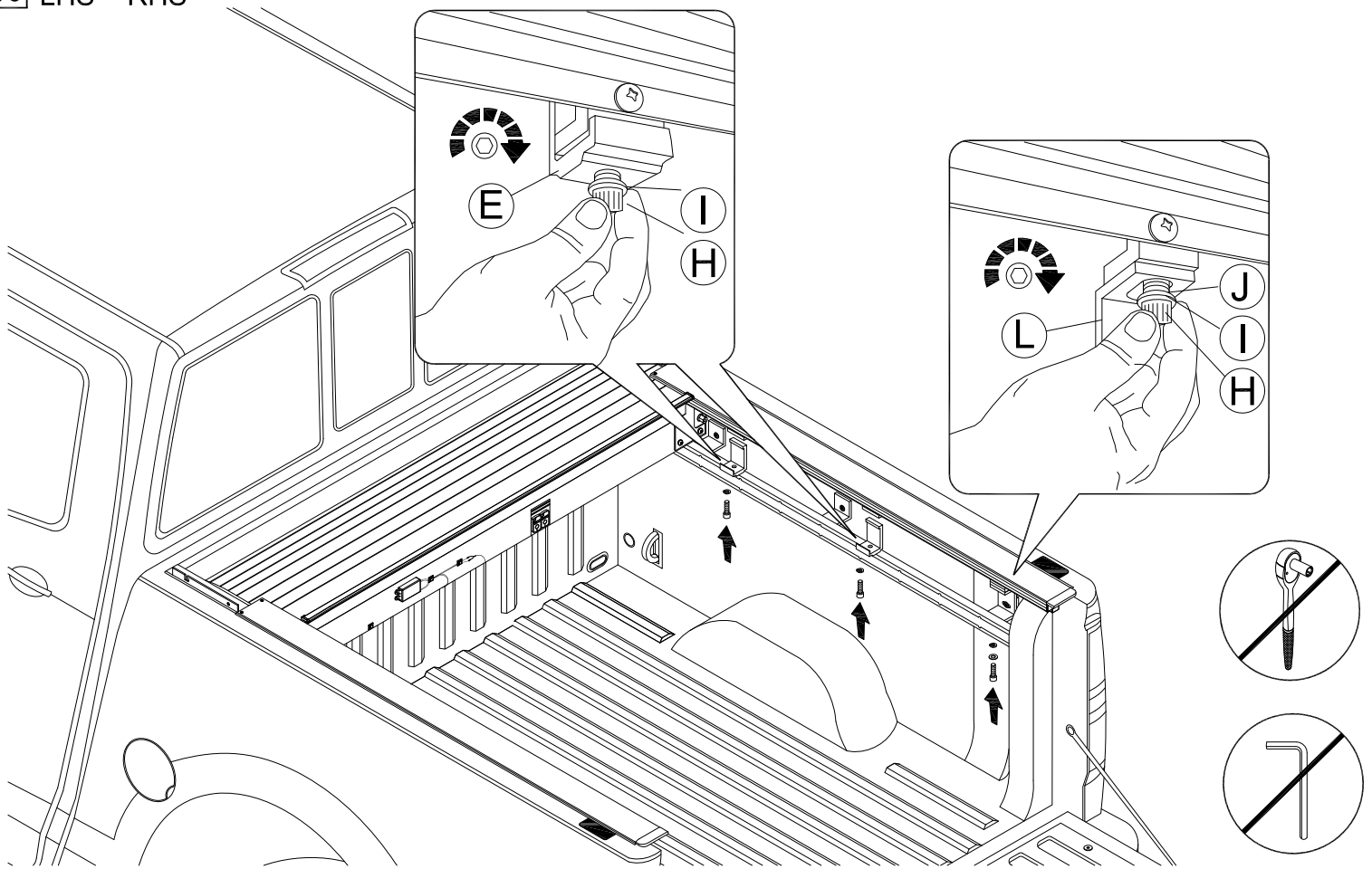
8 LHS = RHS



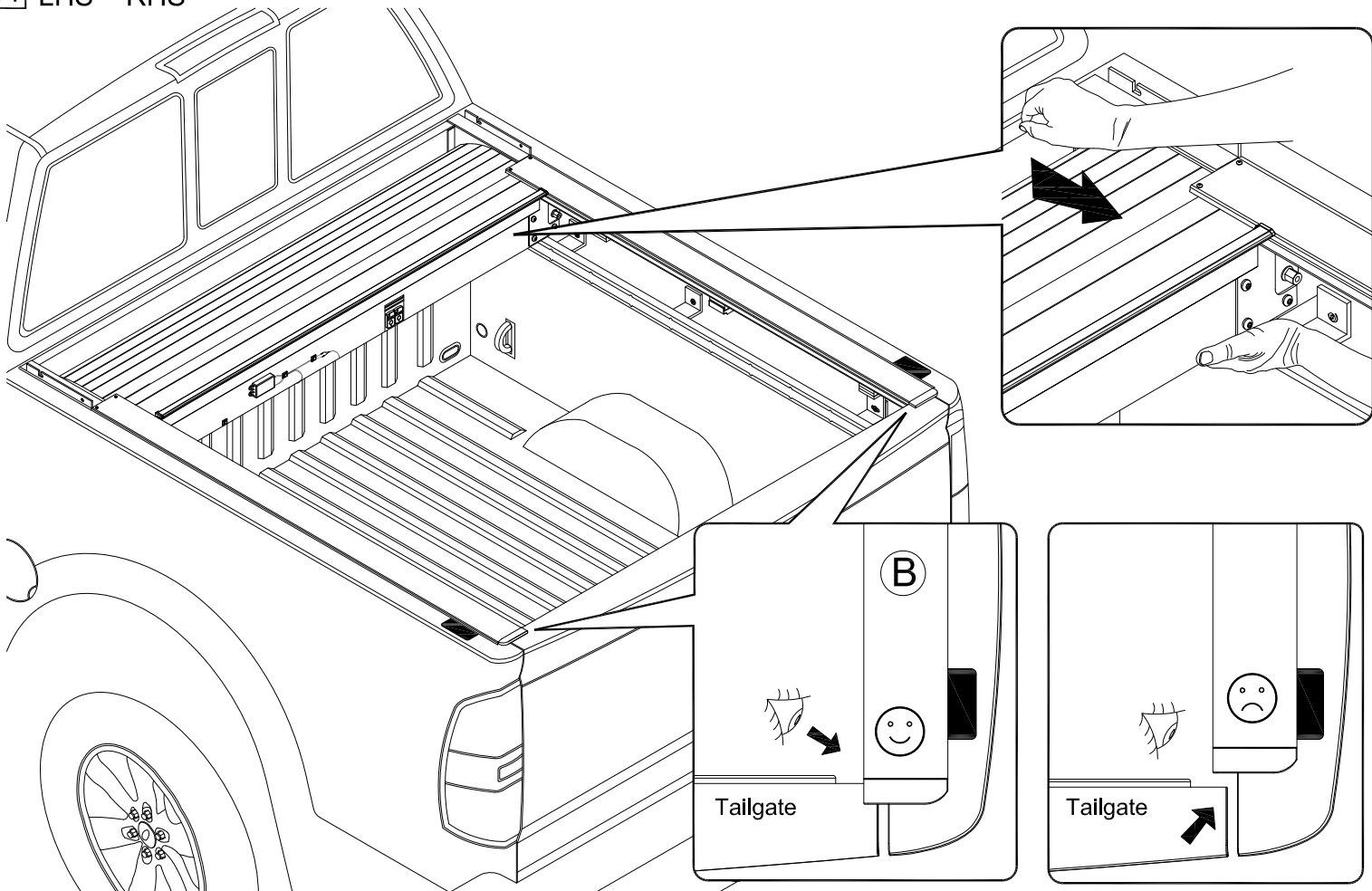
9 LHS = RHS



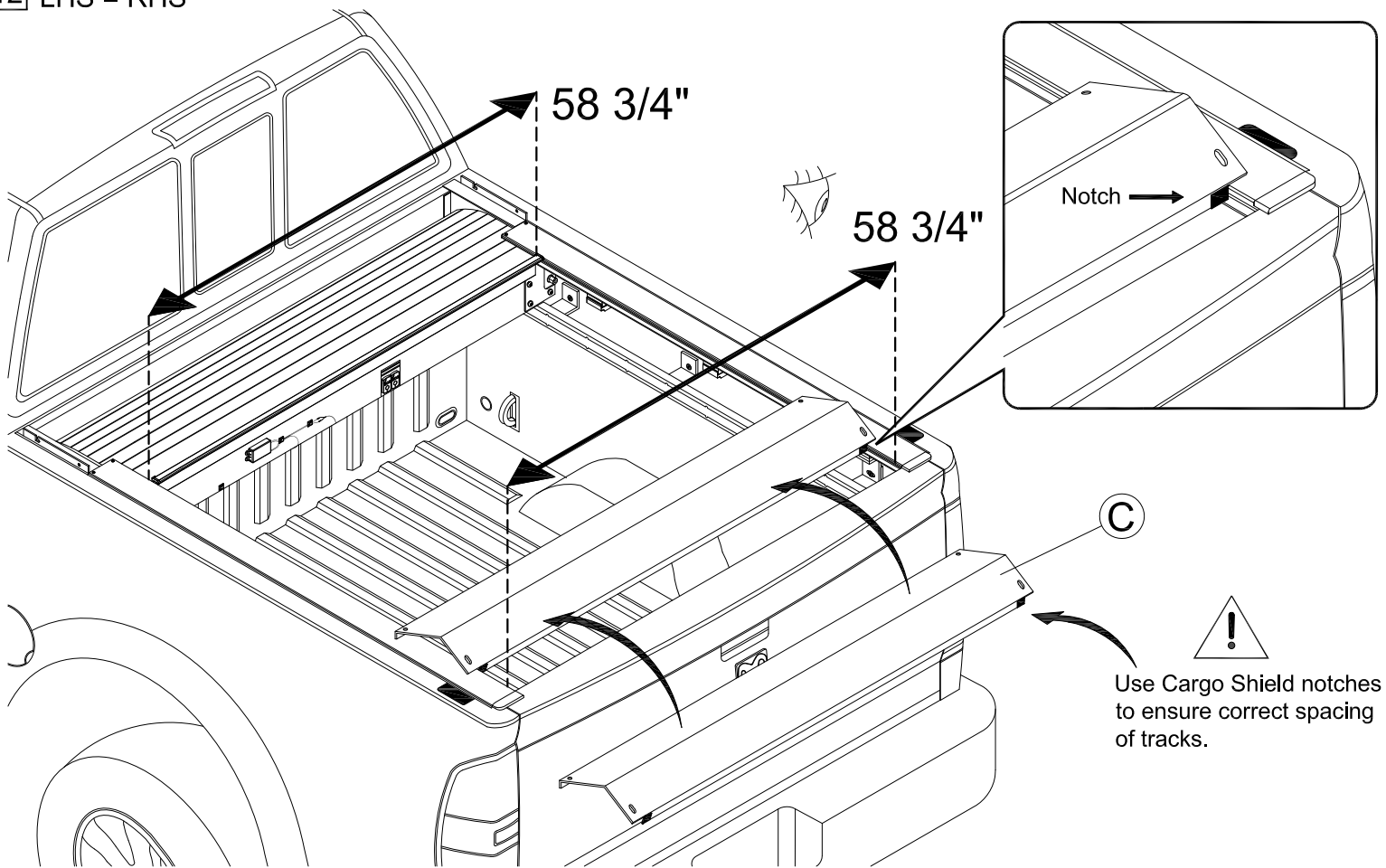
10 LHS = RHS



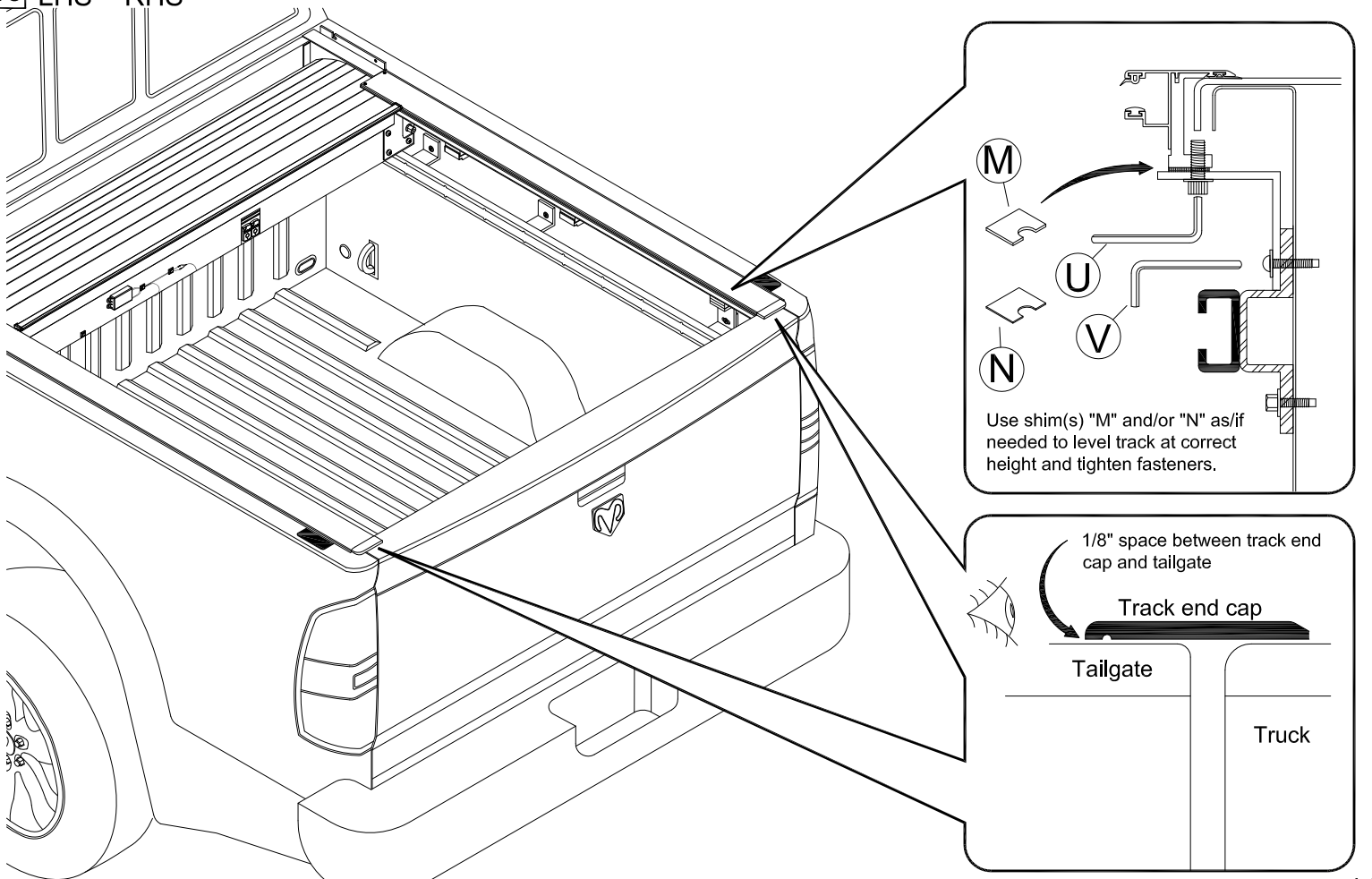
11 LHS = RHS

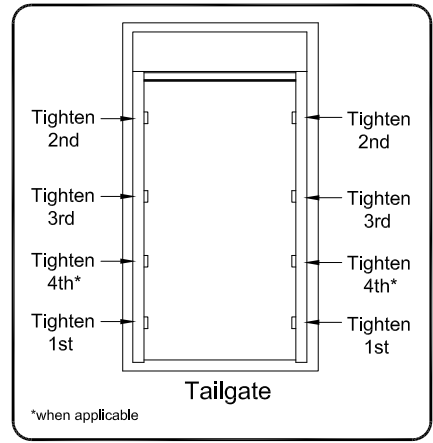
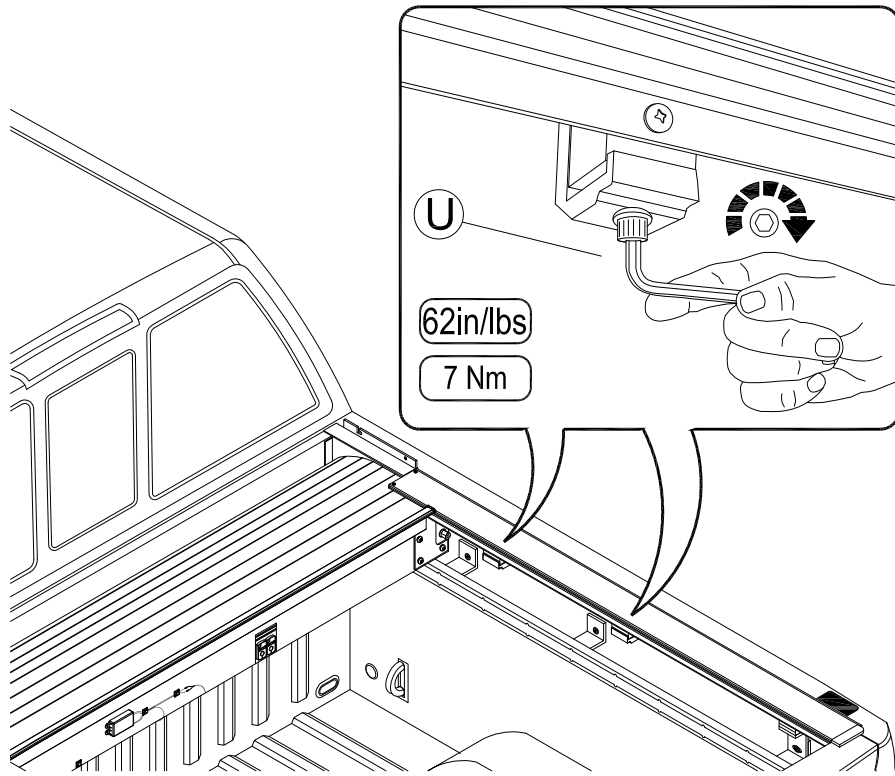


12 LHS = RHS



13 LHS = RHS



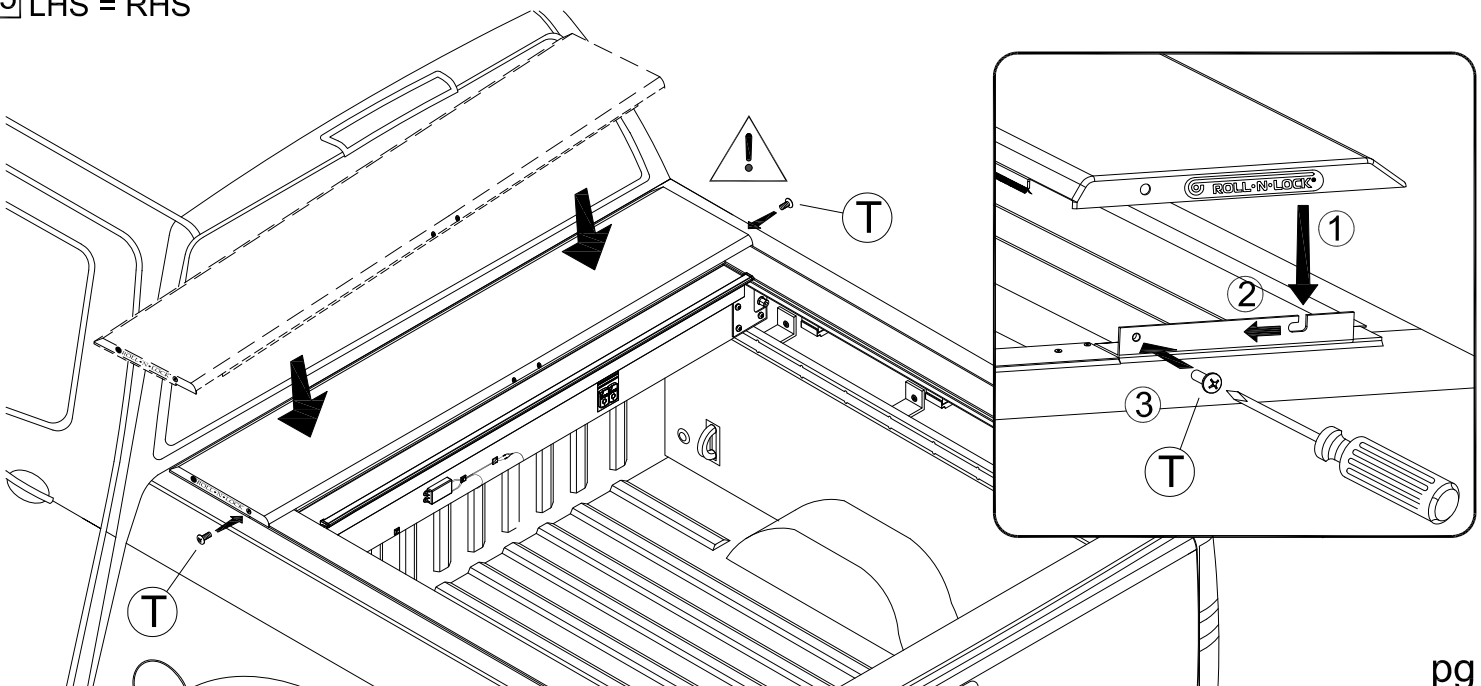
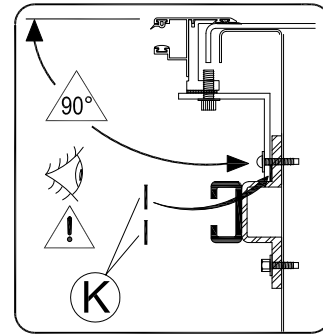
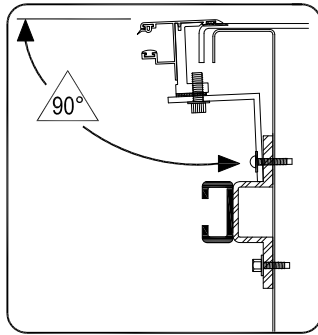


Trouble Shooting

Track tips down.



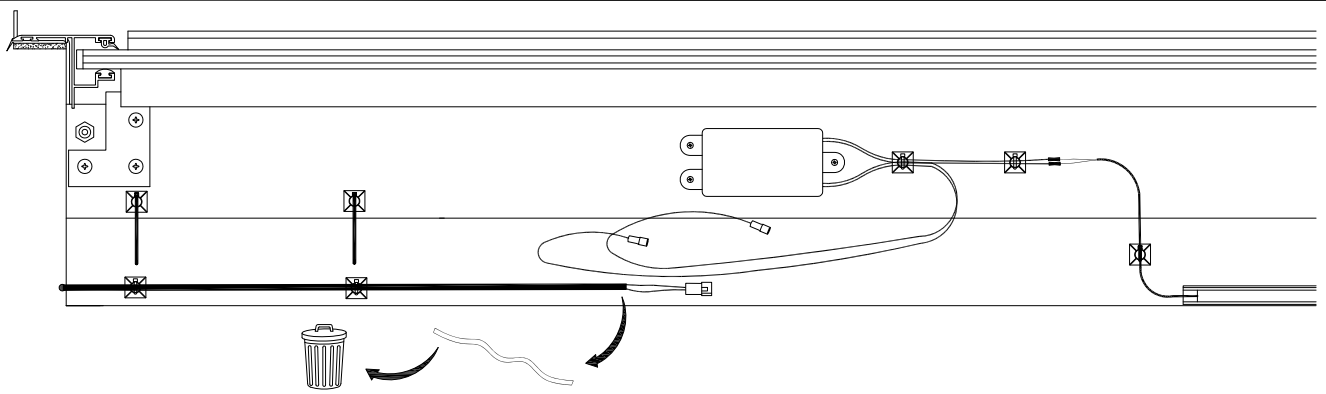
Loosen screw (O) and slide shim(s) (K) behind angle (L) below the screw and retighten.



Powering the unit:

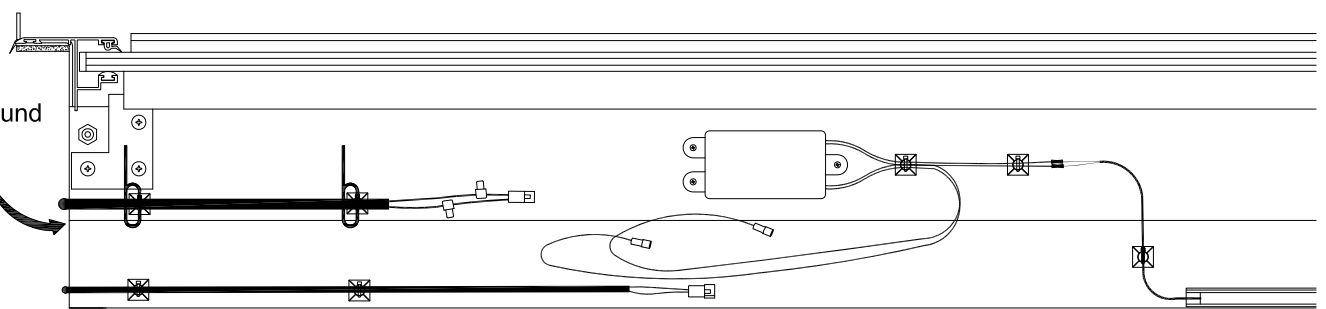
A

Unwrap light wires from motor wire.



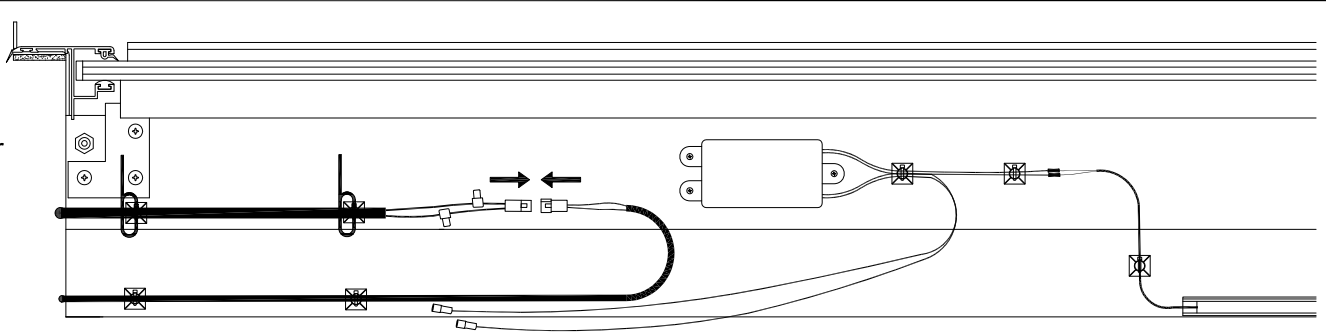
B

Bring power wire around and loosely zip tie to the front of the unit.



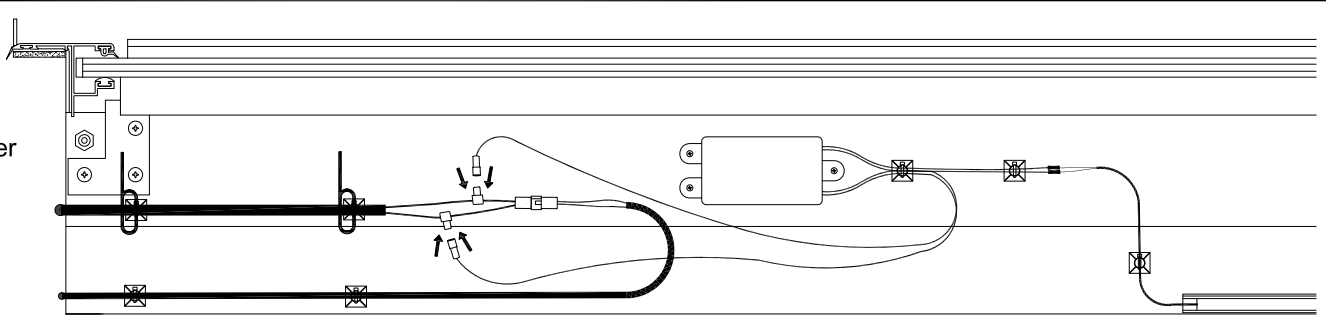
C

Plug motor wire connector into power wire connector.



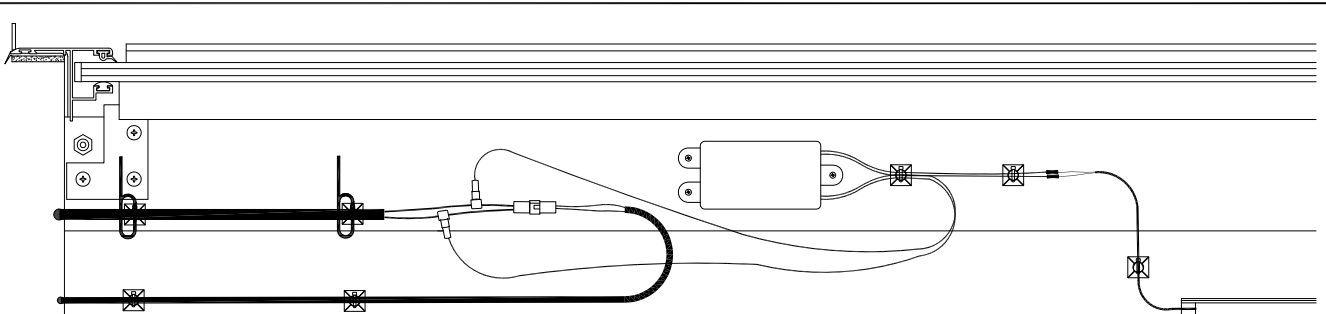
D

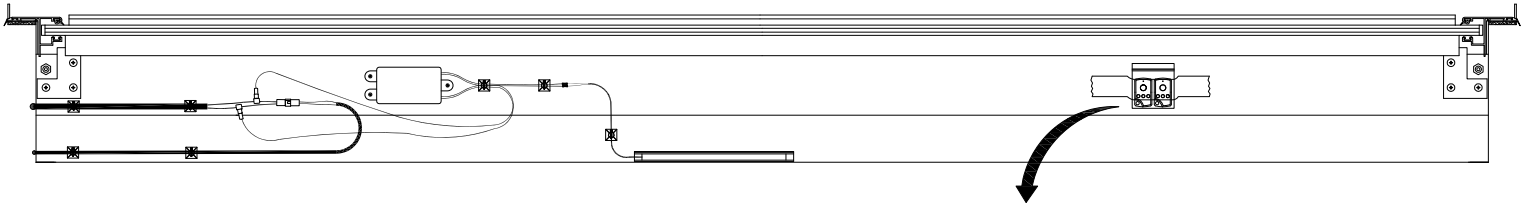
Plug light wire connectors into power wire connectors.



E

Position motor wire tighten zip ties and trim.

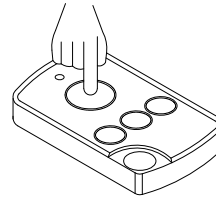




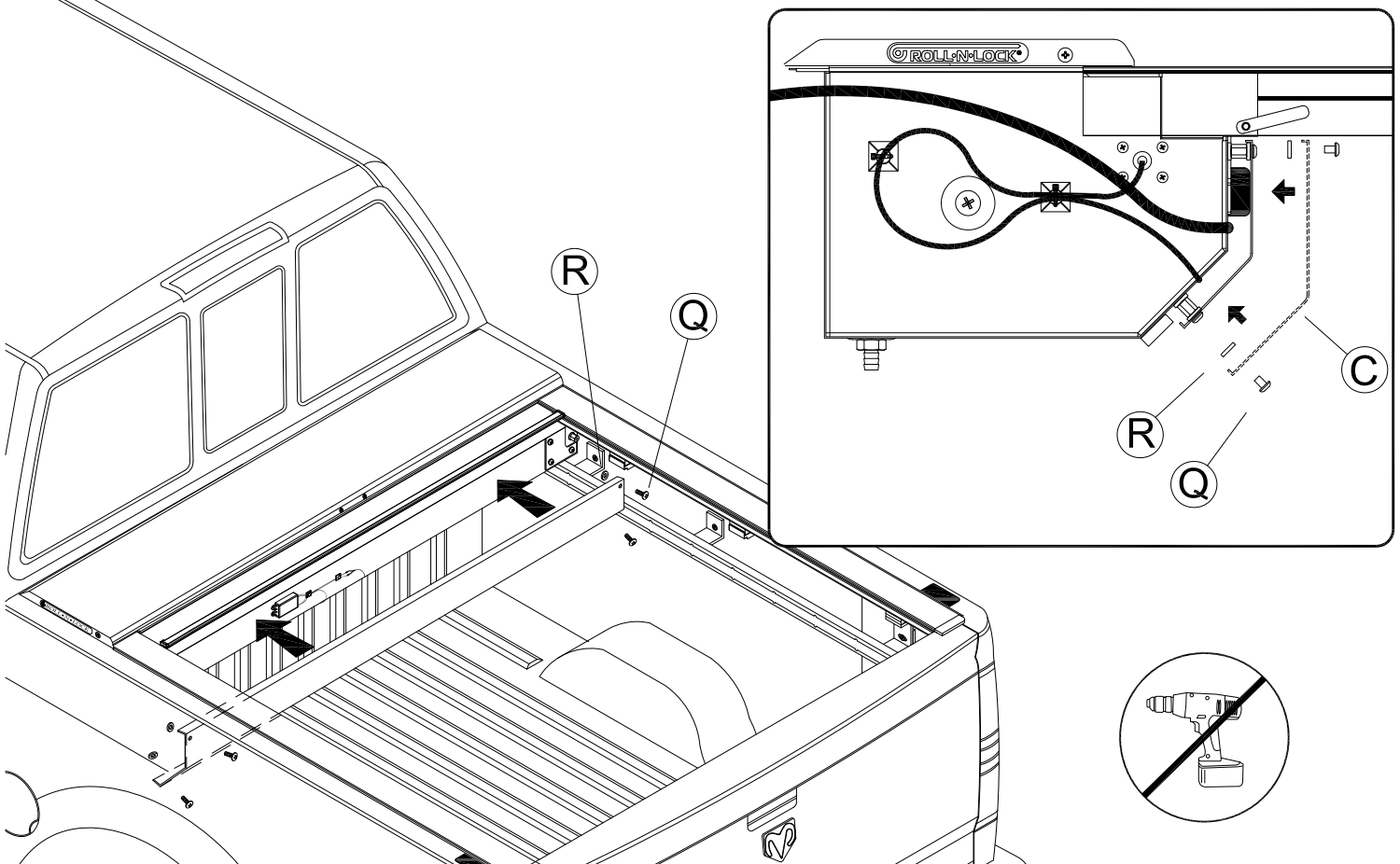
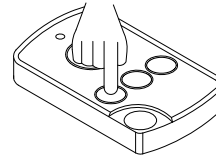
- Remove remotes from housing.

Operating the system:

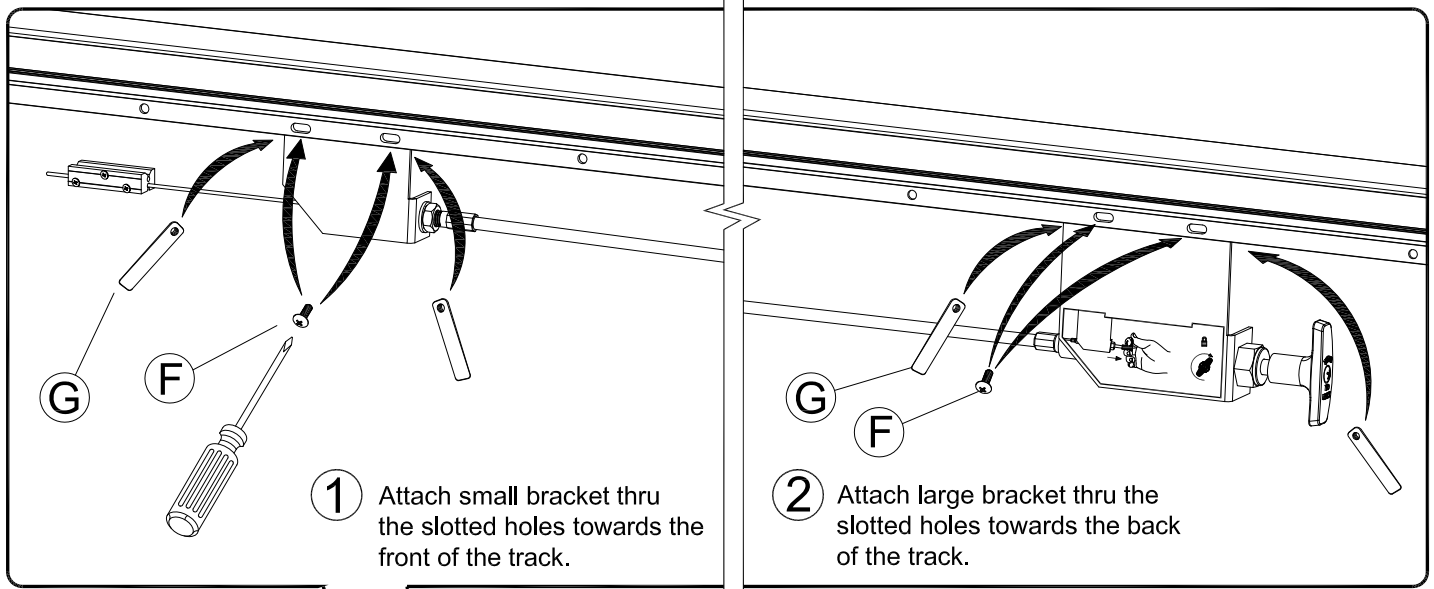
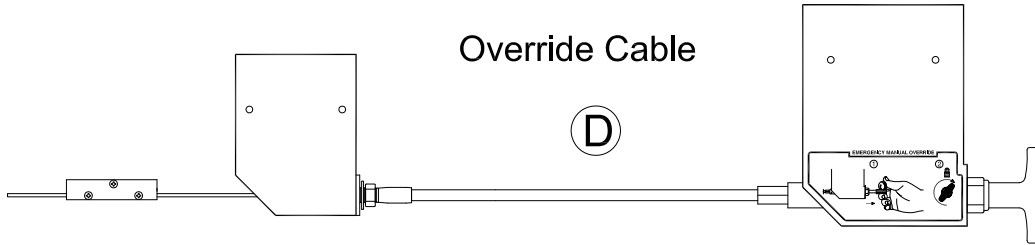
- Push the large button to run cover.
- Push the large button to stop the cover.
- Cover will stop automatically at tailgate and housing.



- Push the small left button to turn light on.
- Push the small left button to turn light off.
- Light will automatically turn off in 3 minutes.

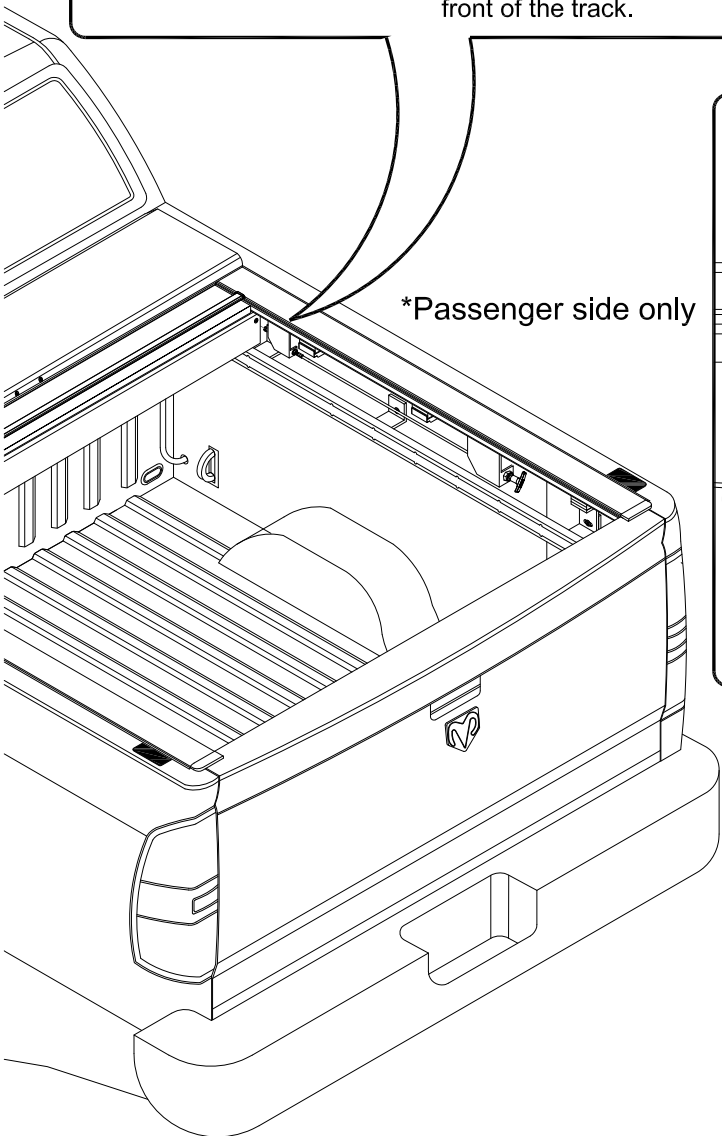


Override Cable

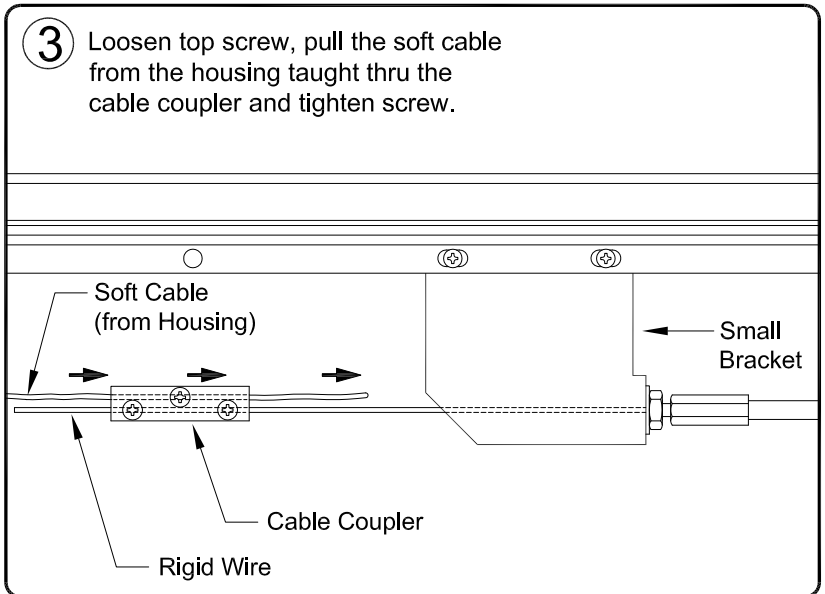


1 Attach small bracket thru the slotted holes towards the front of the track.

2 Attach large bracket thru the slotted holes towards the back of the track.

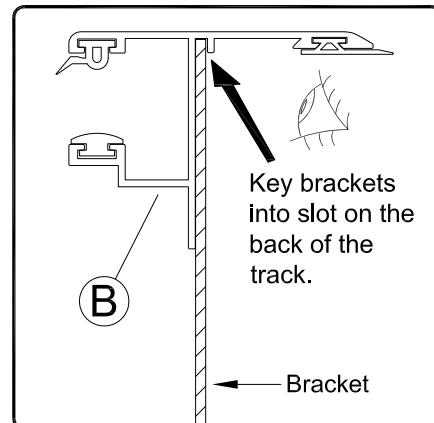


*Passenger side only



3 Loosen top screw, pull the soft cable from the housing taught thru the cable coupler and tighten screw.

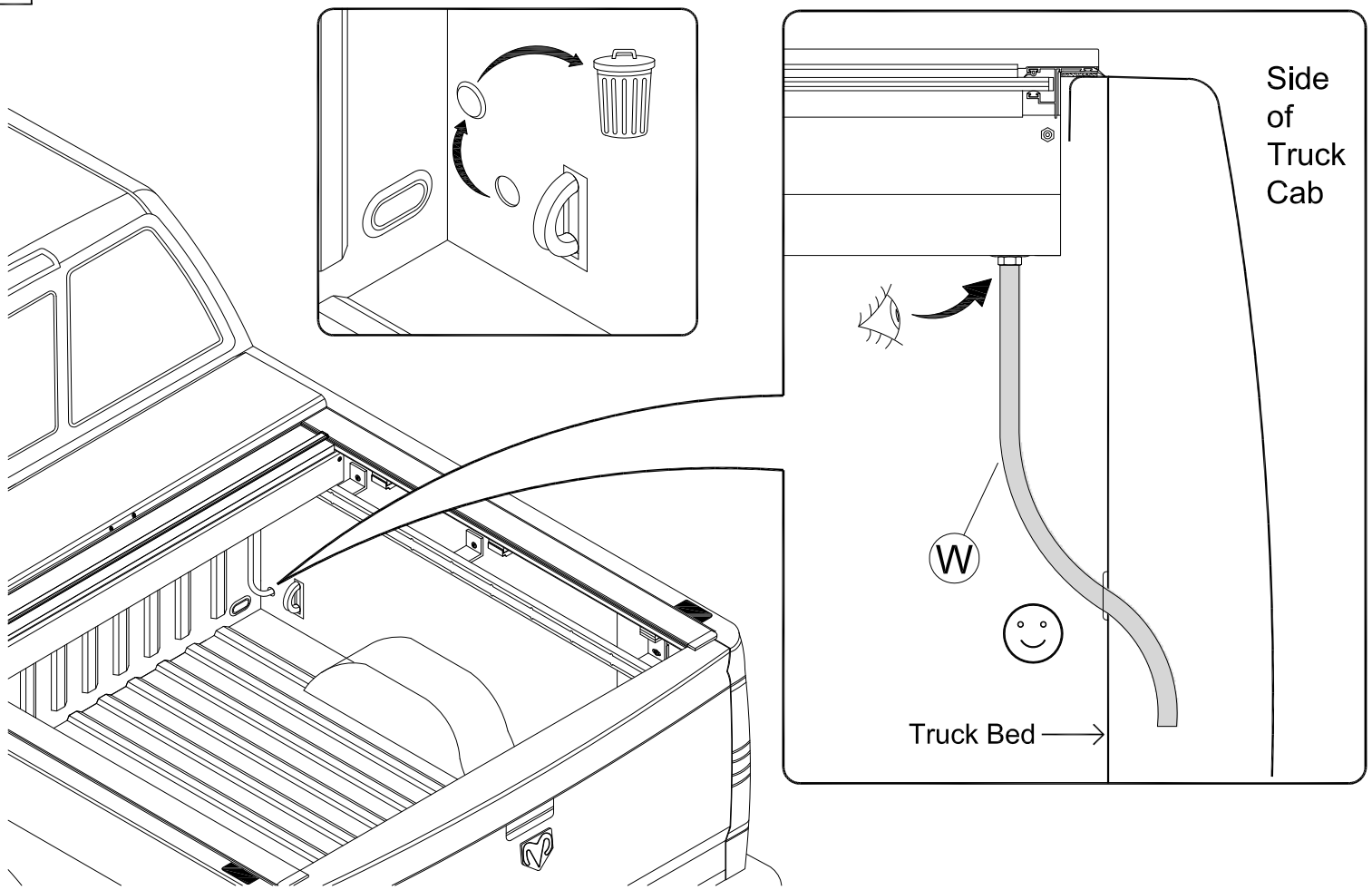
Soft Cable (from Housing)
 Rigid Wire
 Cable Coupler
 Small Bracket



Key brackets into slot on the back of the track.

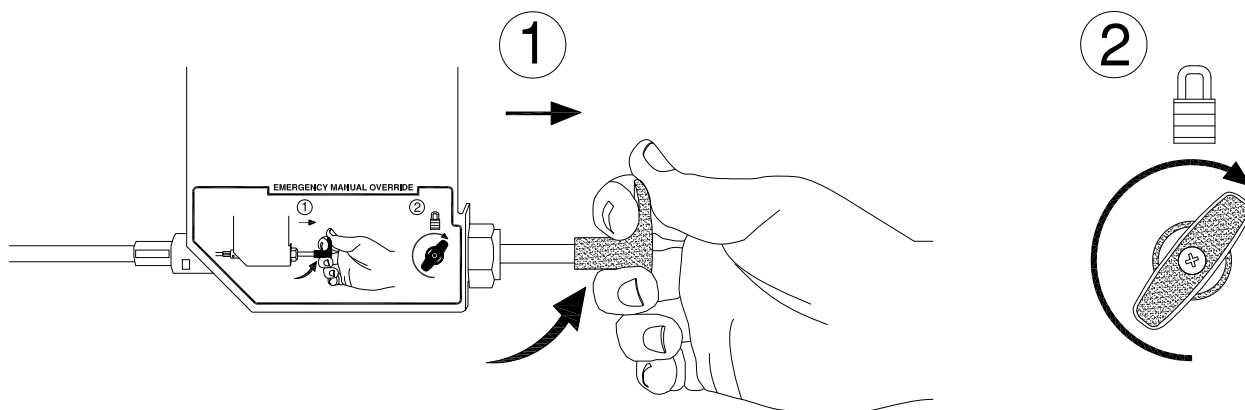
B

Bracket

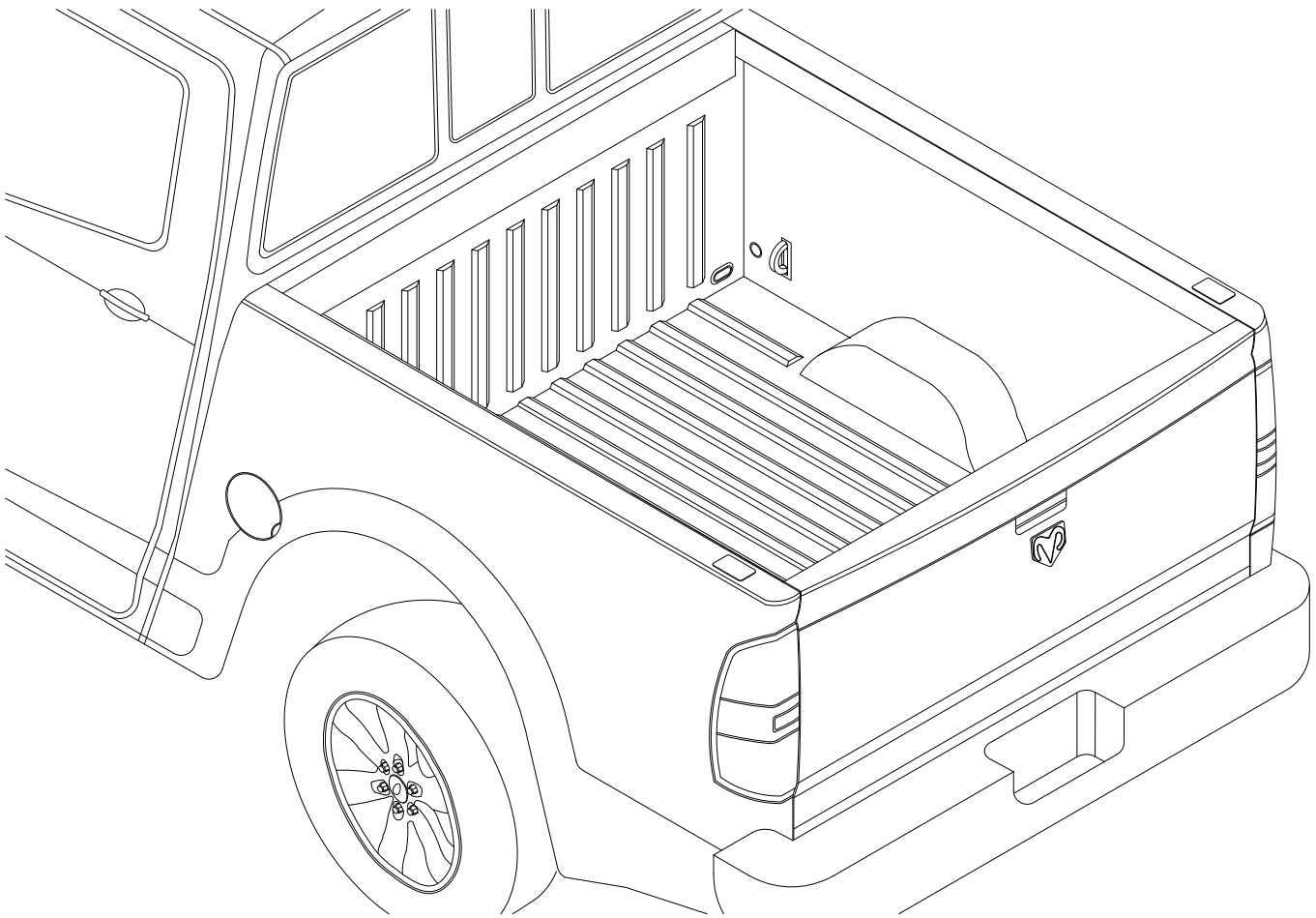


Operating the override:

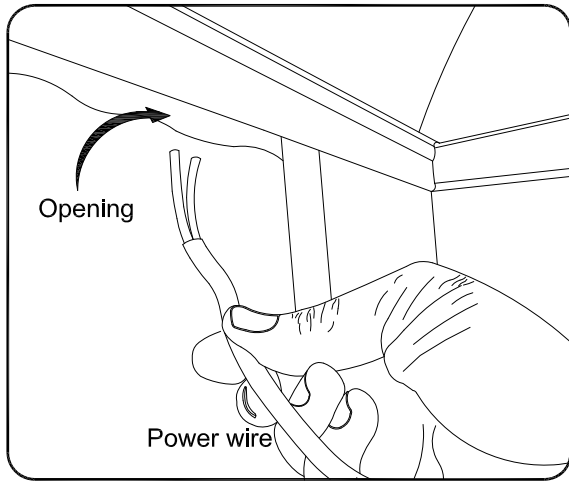
- Use only when the cover is not operating remotely.
- Pull the lever and turn to lock in place, the cover will operate manually.
- Unlock the lever and push back to lock cover.



IF TRUCK IS **NOT** EQUIPPED WITH
UTILITY RAILS PROCEED WITH
INSTRUCTIONS ON PAGES 17 - 28

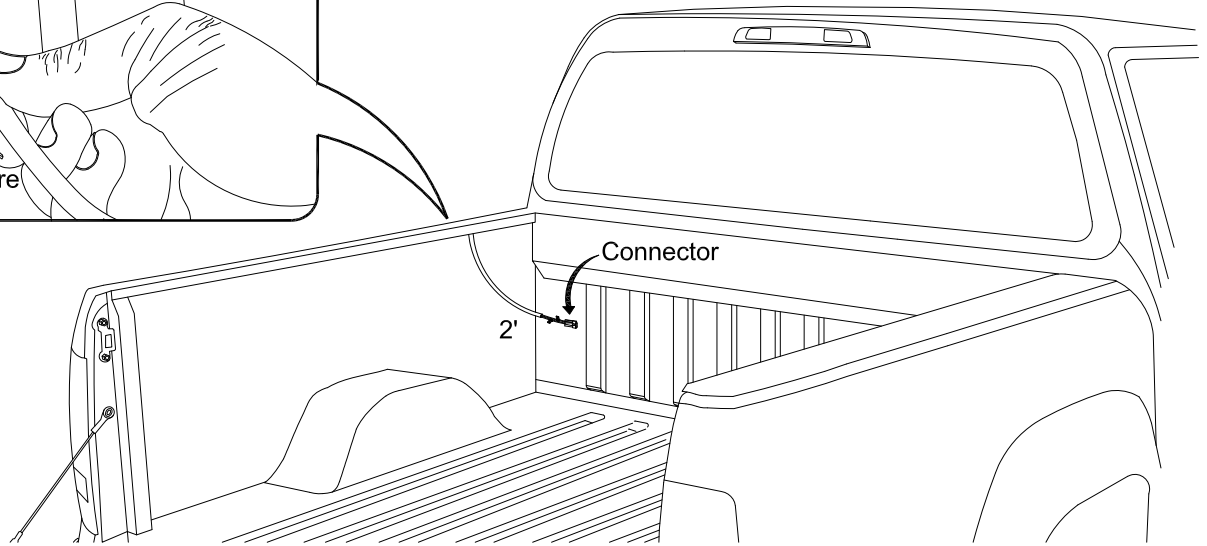


1



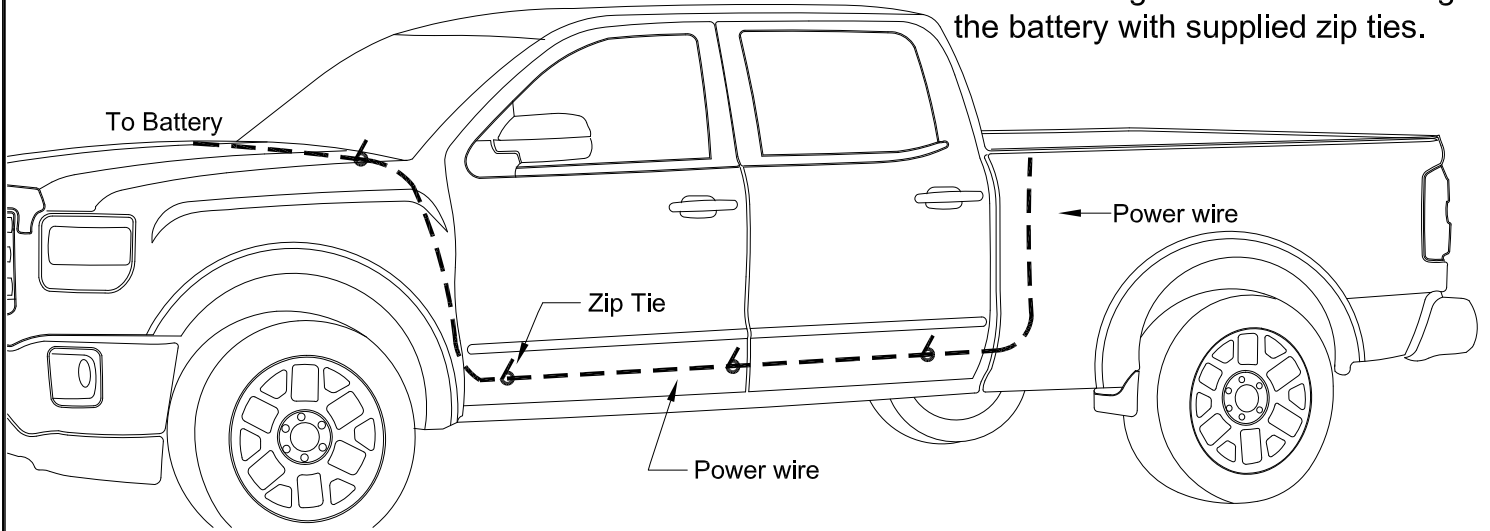
Feed end of power wire through the hole on the drivers side of truck, then down through the side panel to the ground.

Leave 2 feet of power wire in the truck bed.



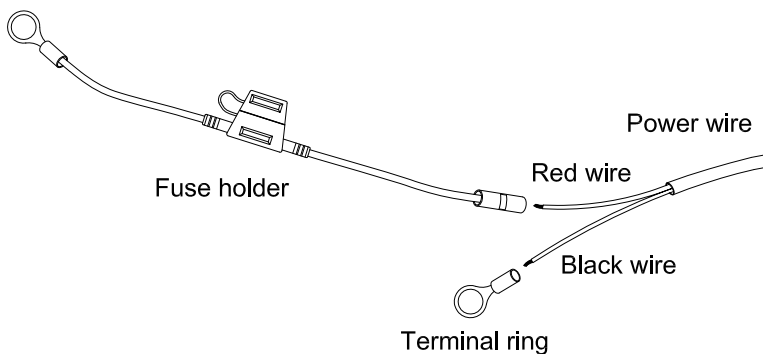
2

Feed power wire under the truck securing to an existing wire harness leading to the battery with supplied zip ties.

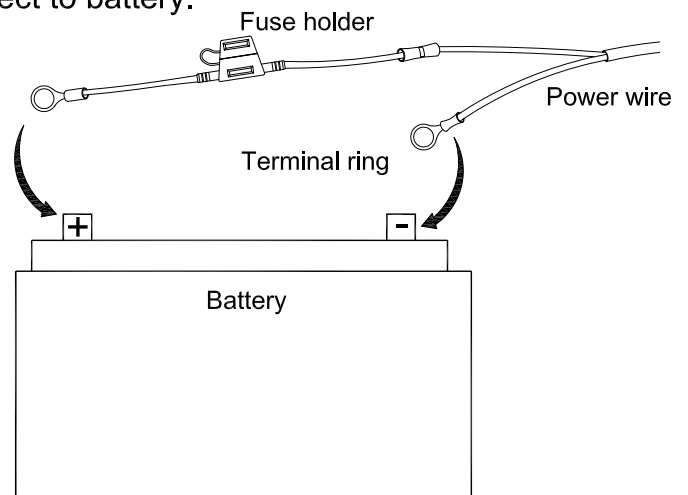


3

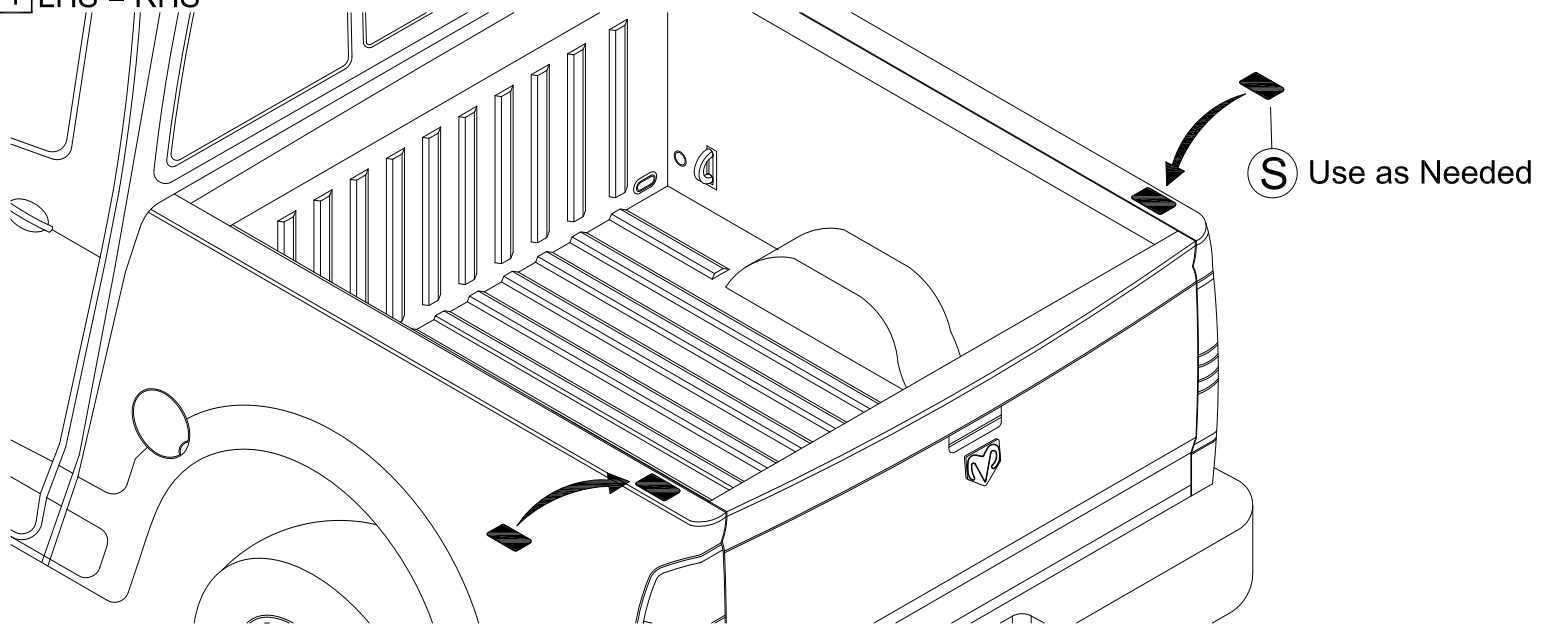
Crimp the fuse holder to the RED wire and the terminal ring to the Black wire.



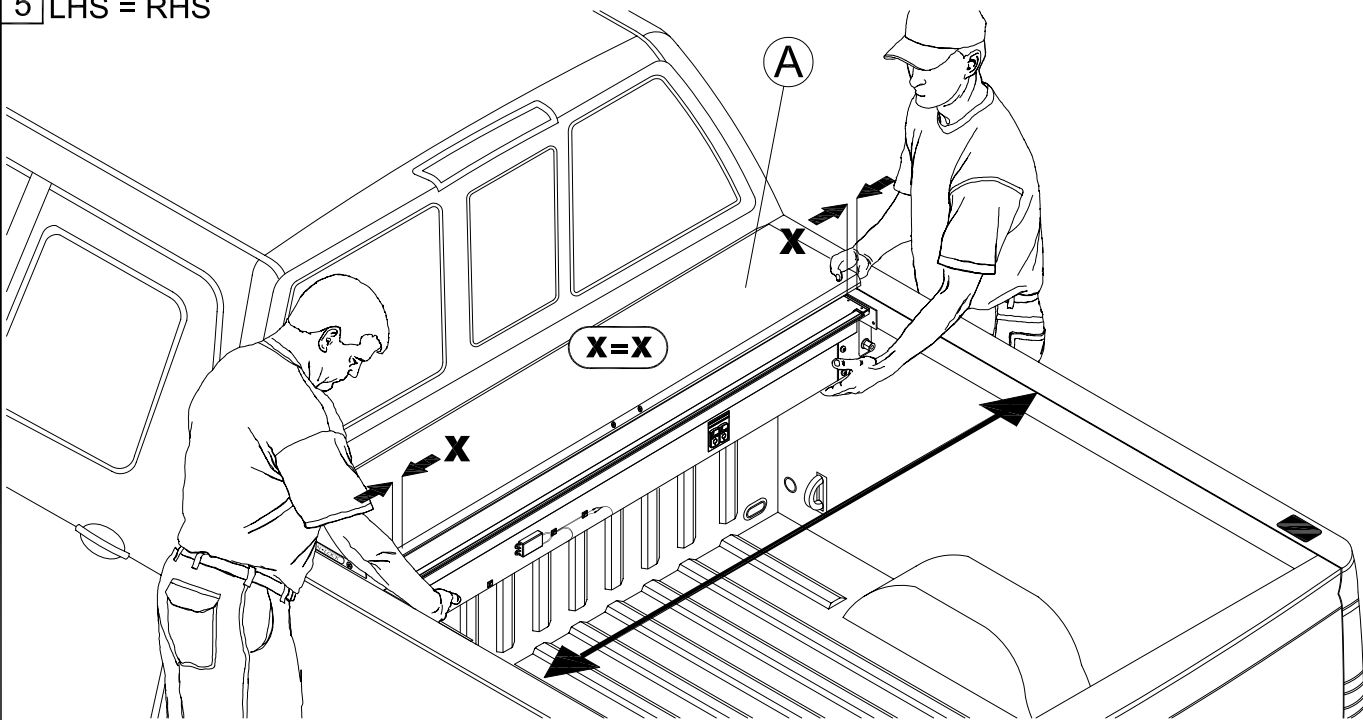
Connect to battery.



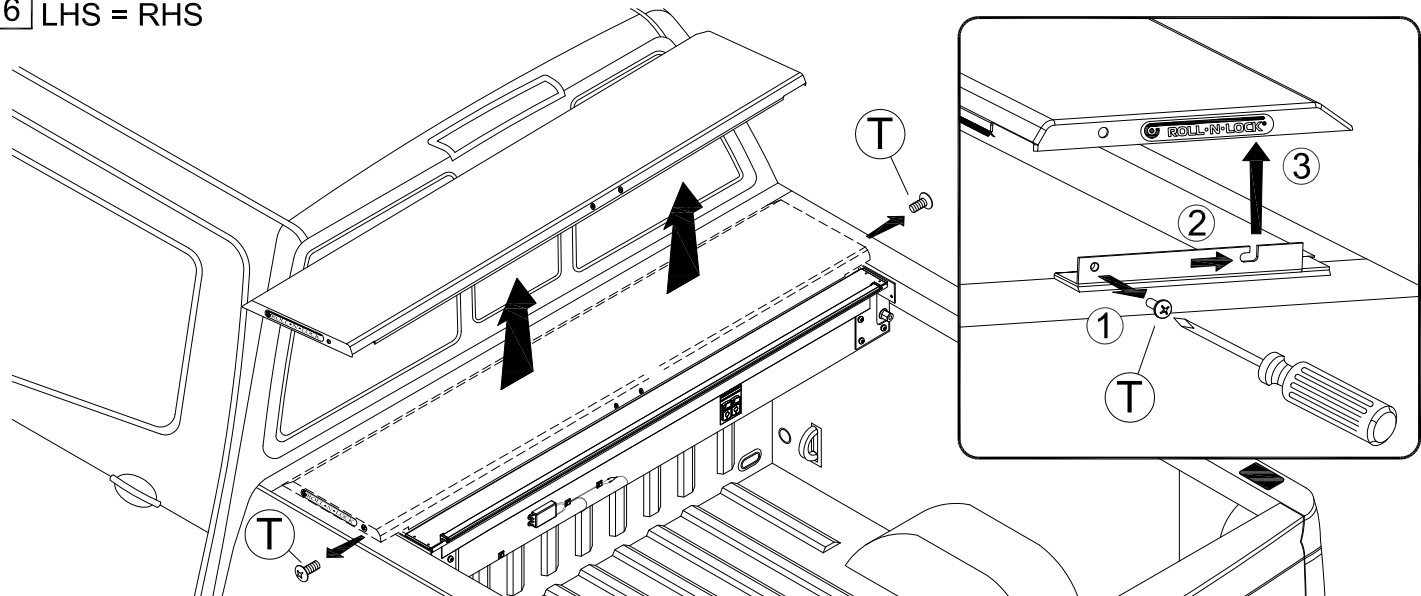
4 LHS = RHS

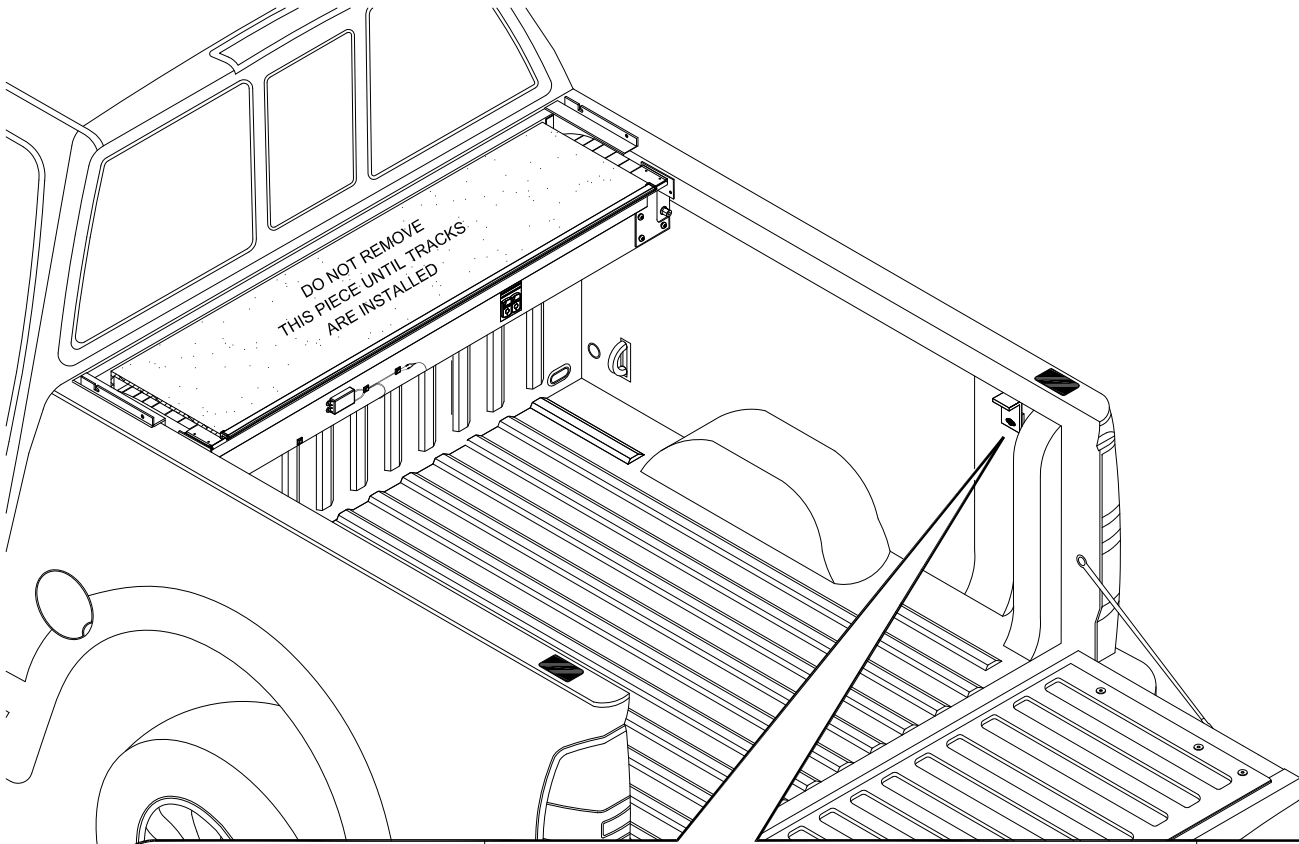


5 LHS = RHS

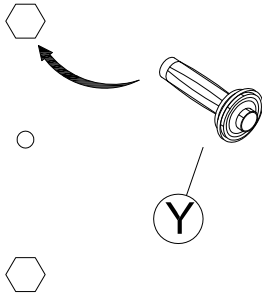


6 LHS = RHS

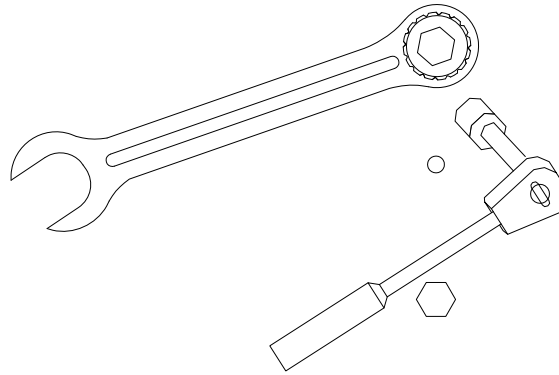




Insert expansion bolt fastener into the top hex hole back towards the tailgate



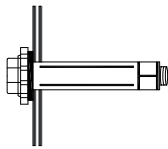
Use a 5/8" box wrench onto the holding sleeve and with a 8mm socket ratchet the bolt tight to secure clamping times.



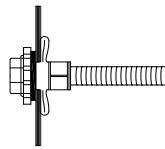
Back out screw leaving threaded insert.



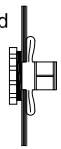
before tighten



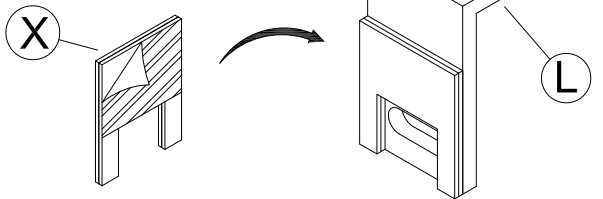
after tighten



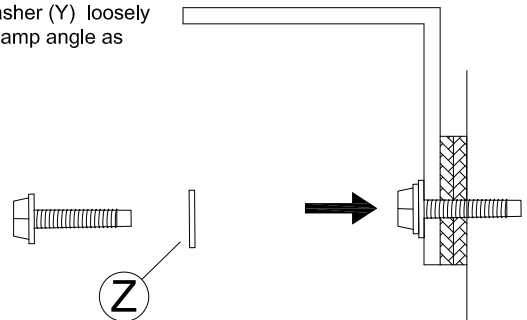
screw removed



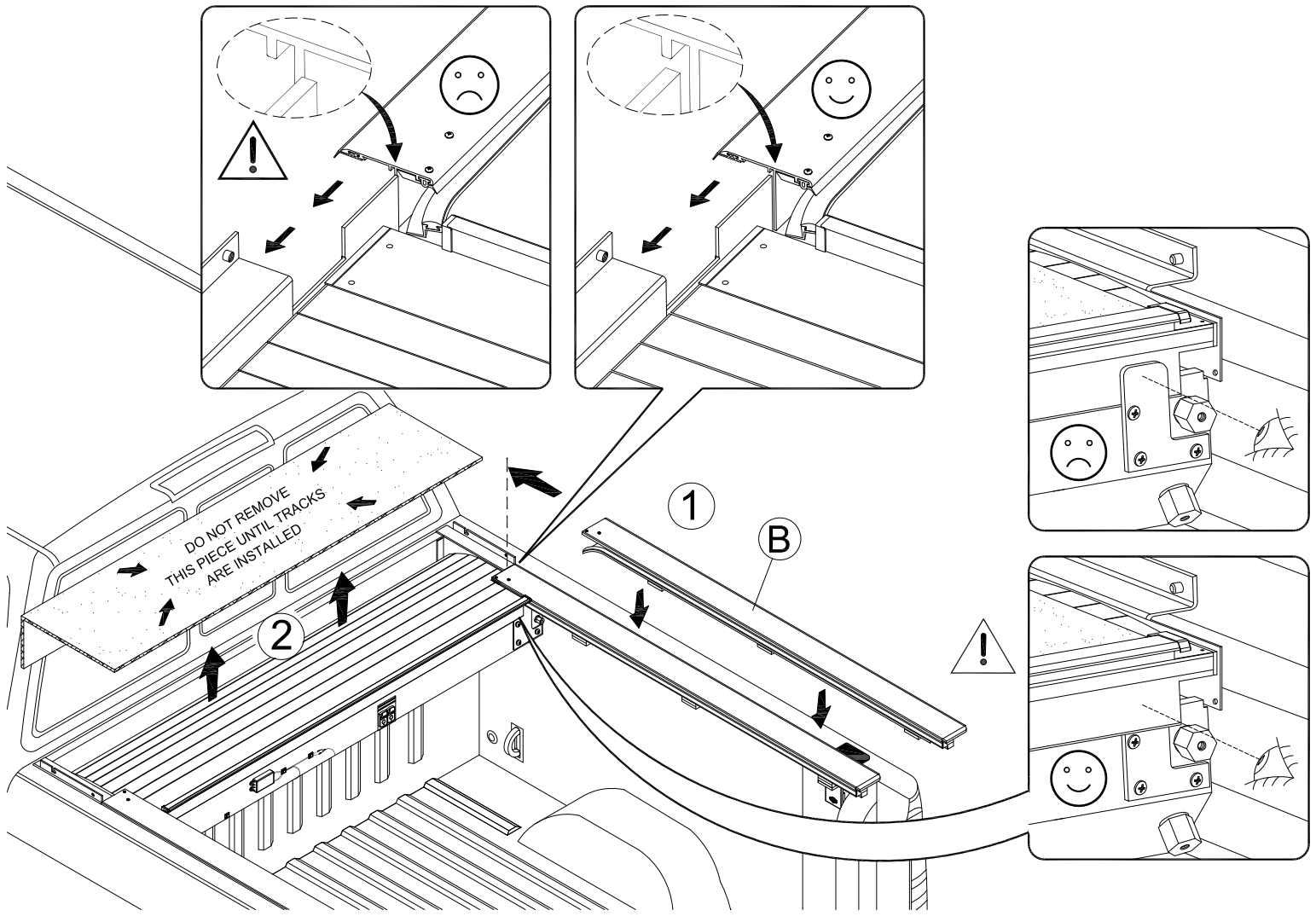
Peel paper from back of shim and stick onto the back of the clamp angle.



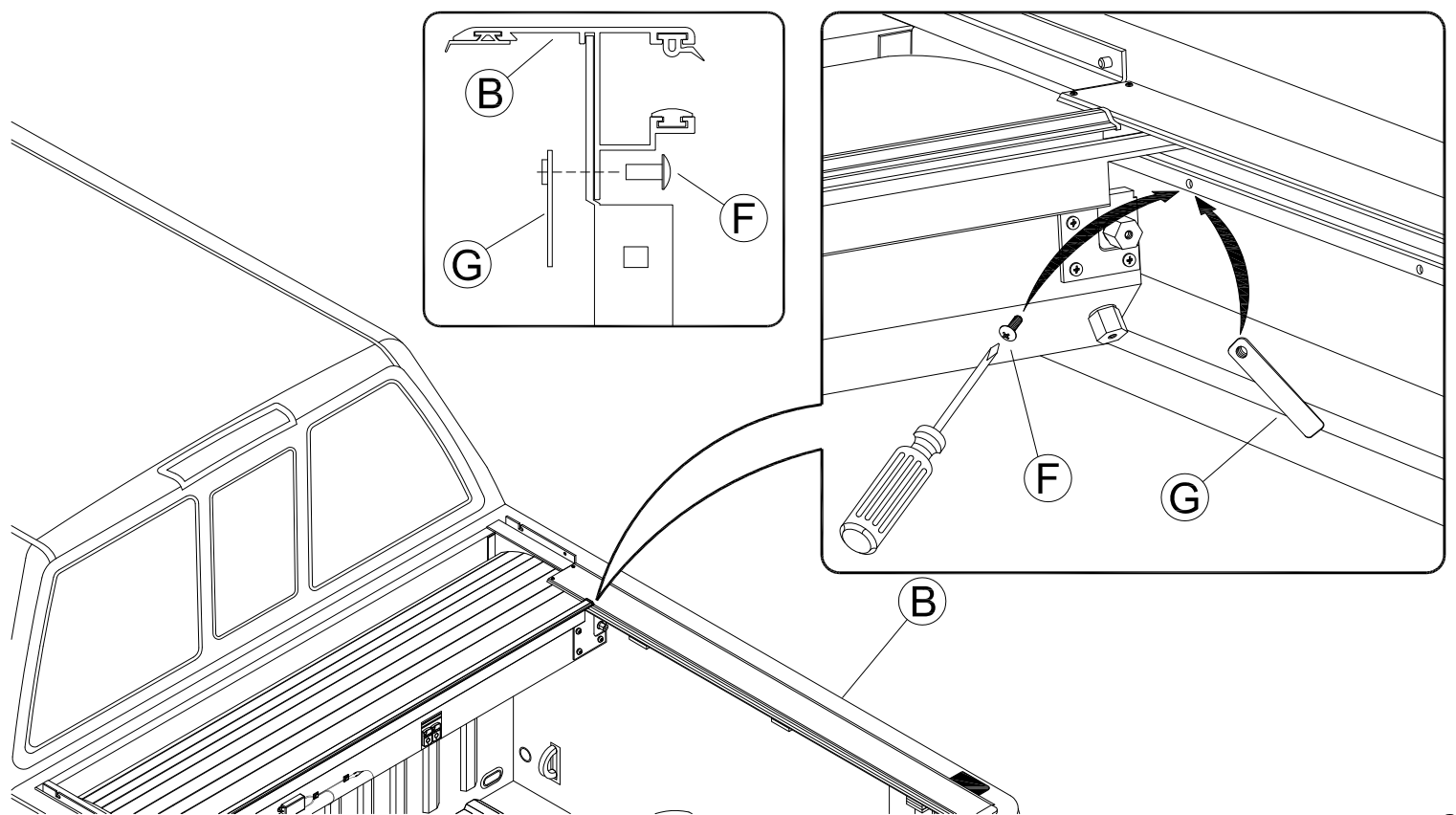
Using the same screw with a supplied washer (Y) loosely install the clamp angle as shown.



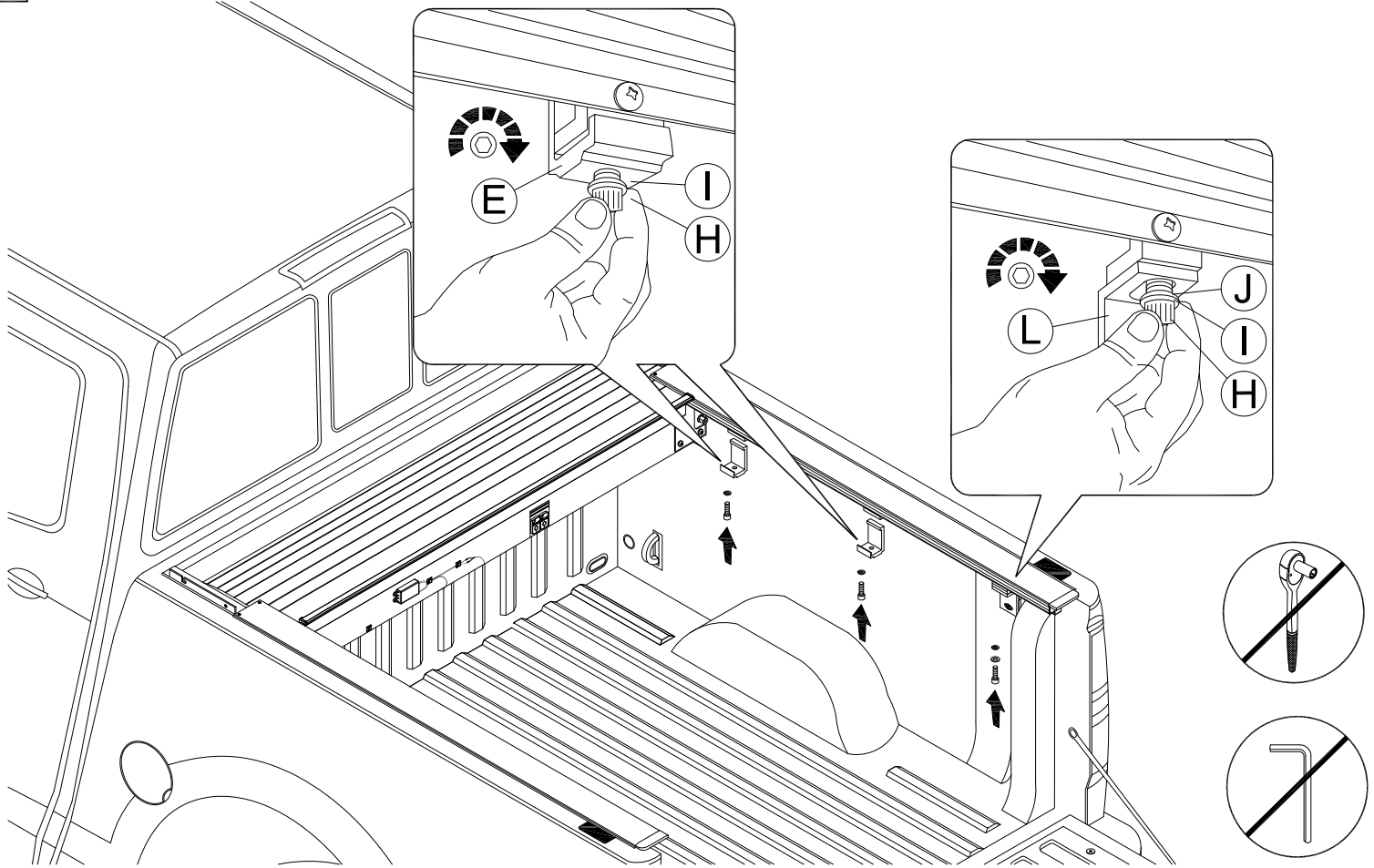
8 LHS = RHS



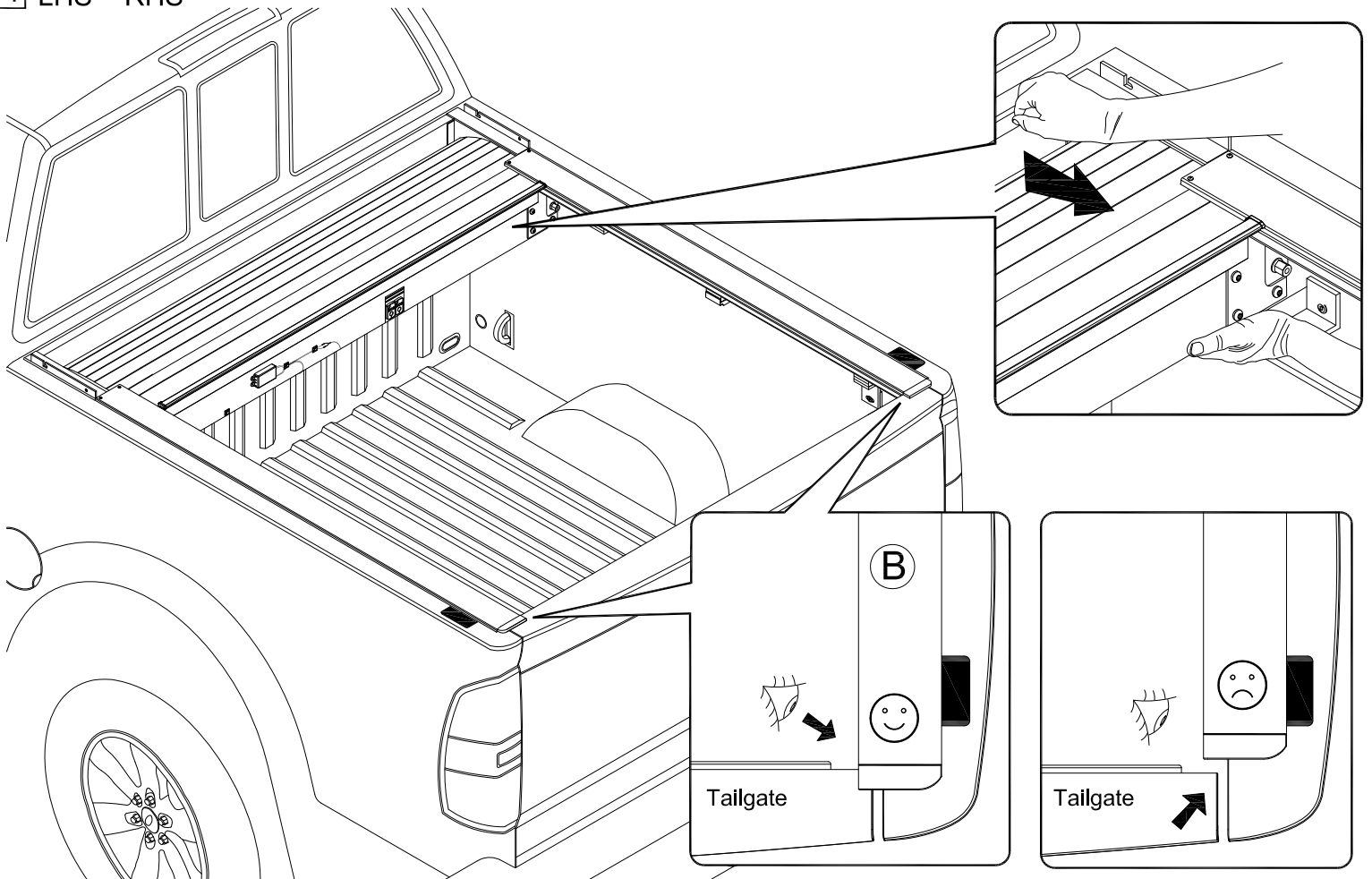
9 LHS = RHS



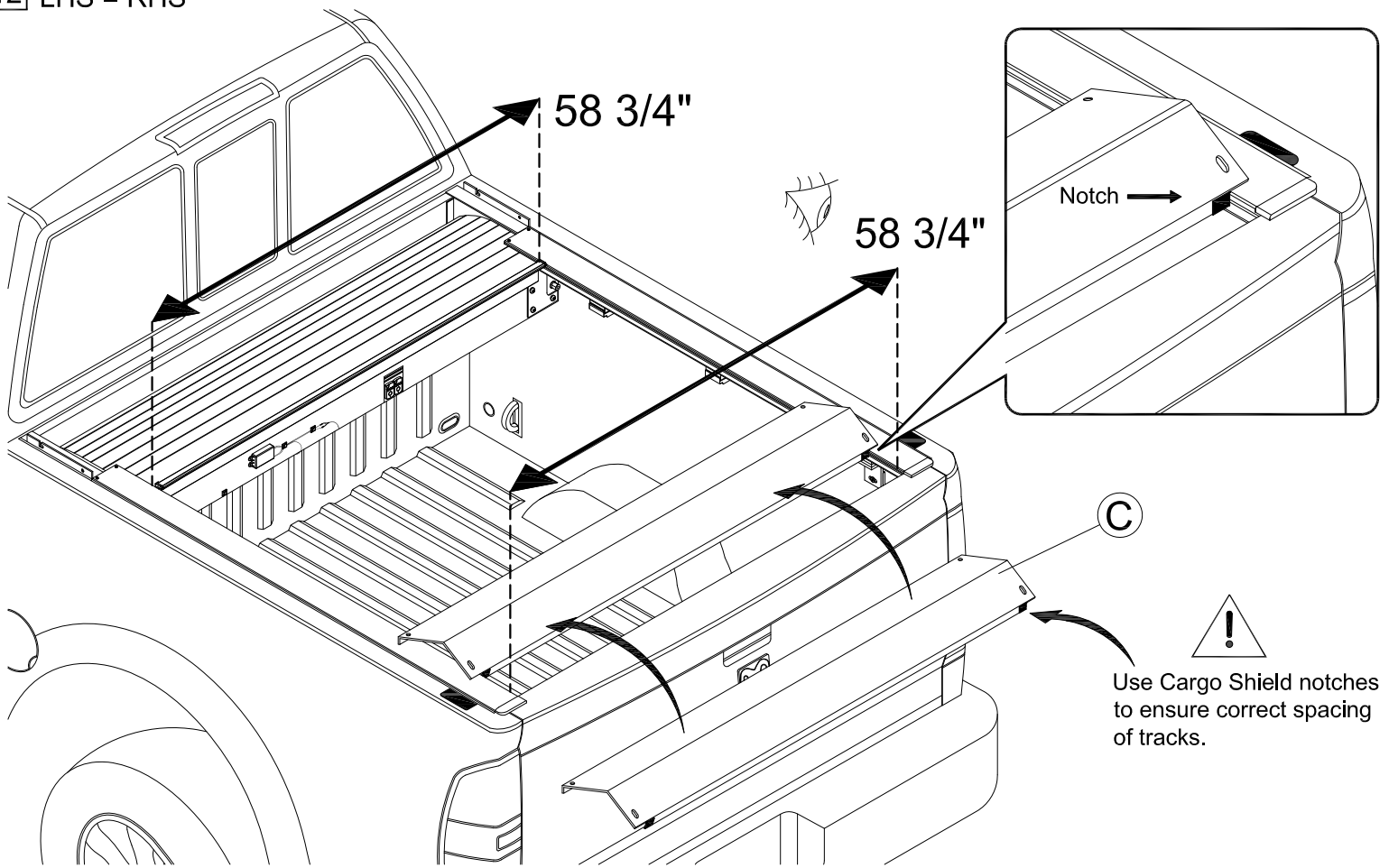
10 LHS = RHS



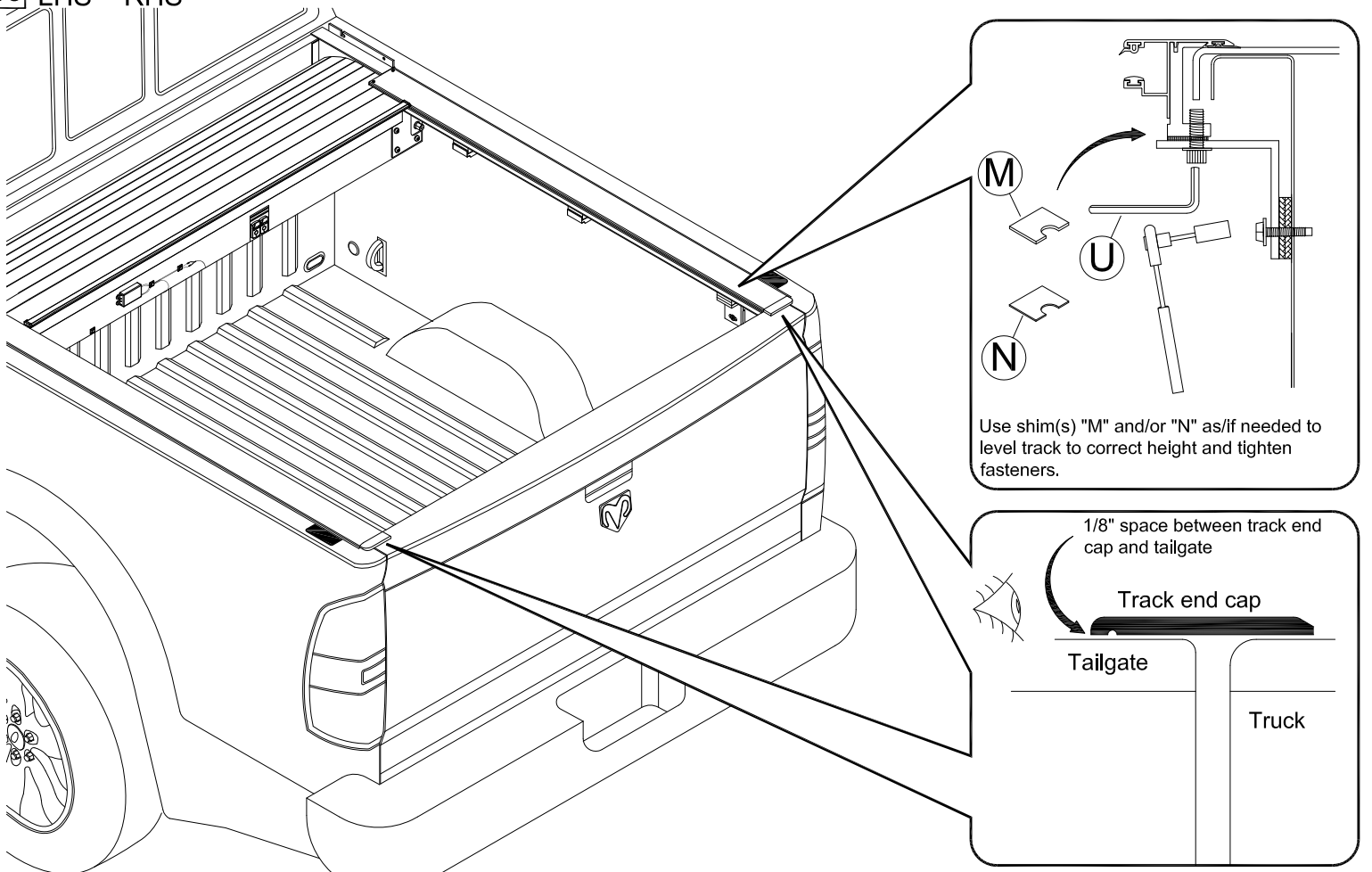
11 LHS = RHS



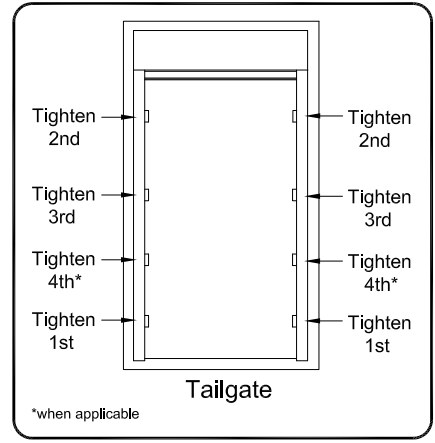
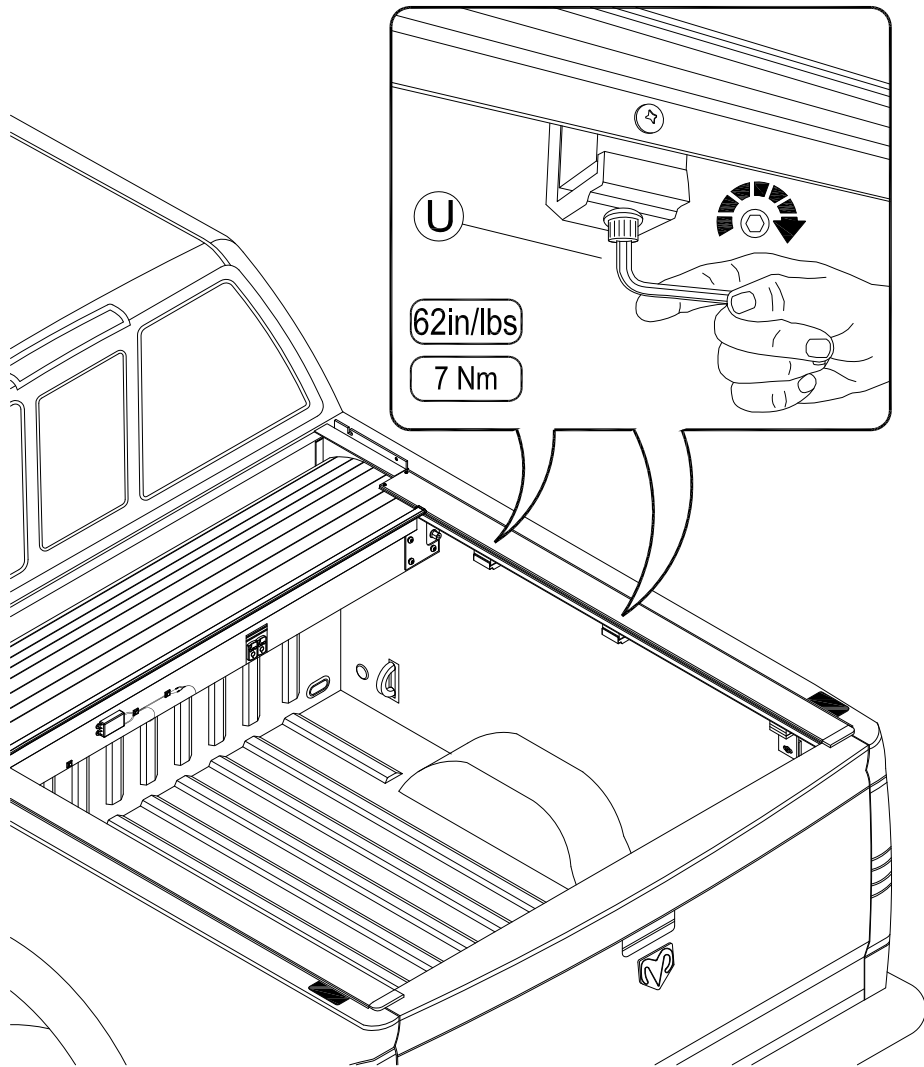
12 LHS = RHS



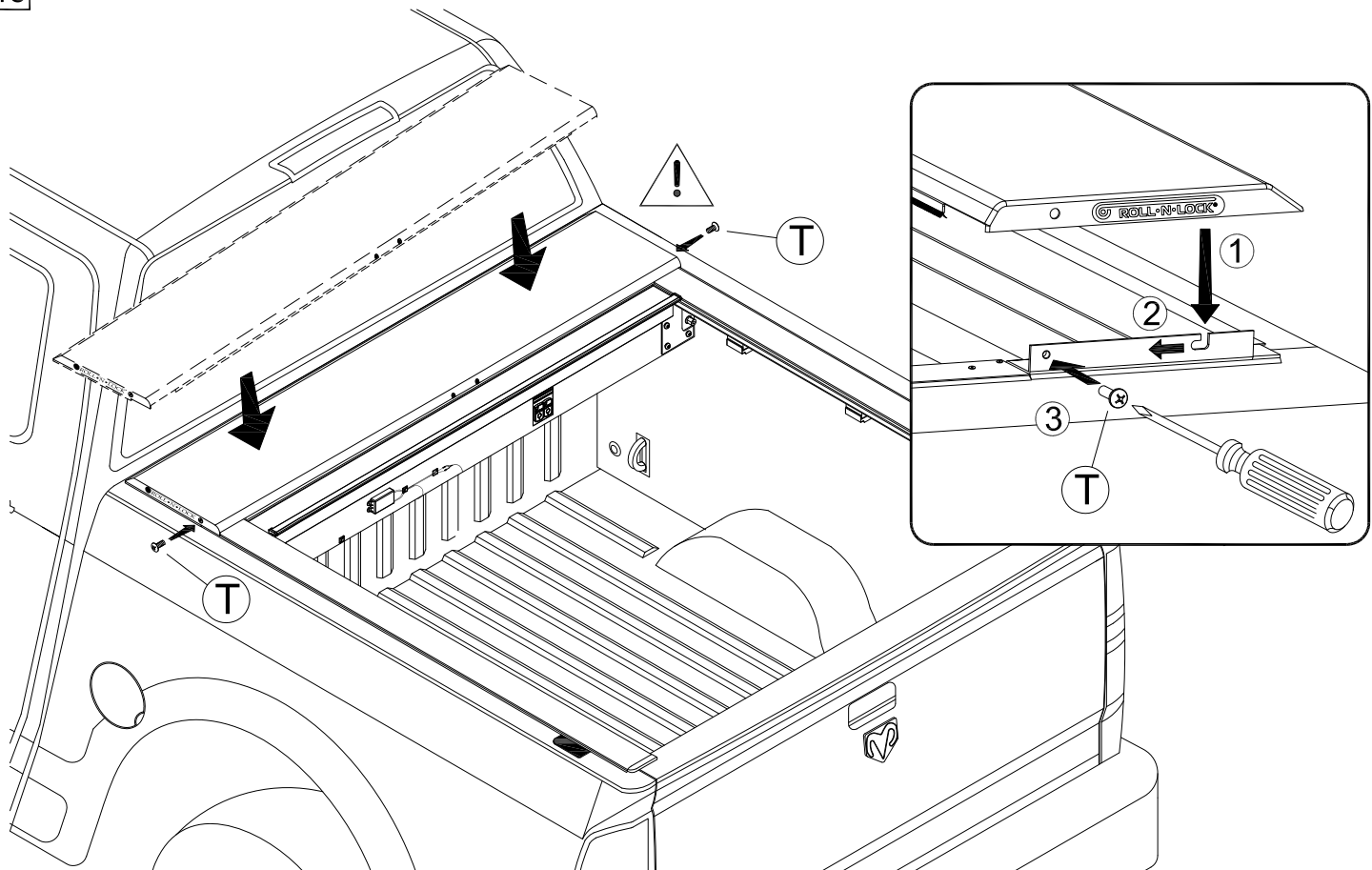
13 LHS = RHS



14 LHS = RHS



15

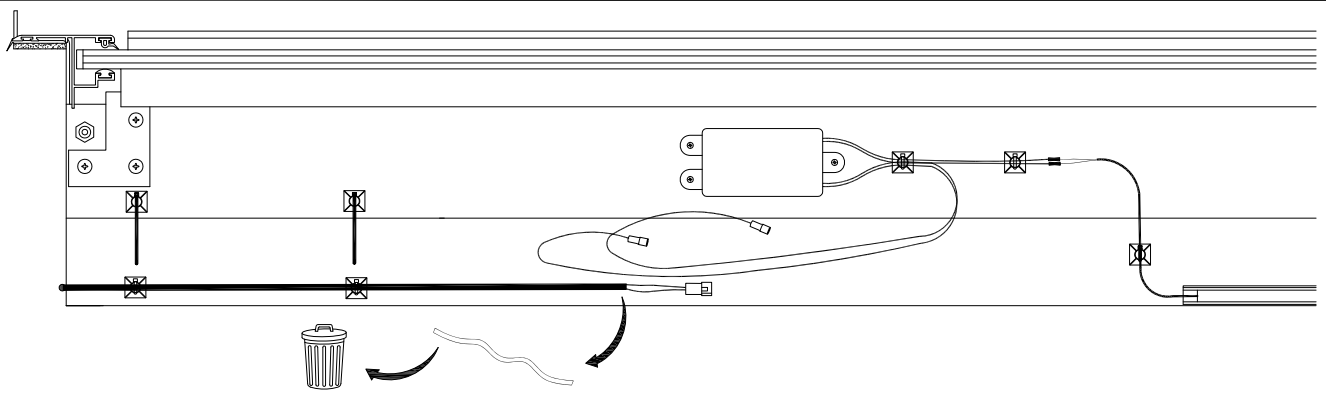


16

Powering the unit:

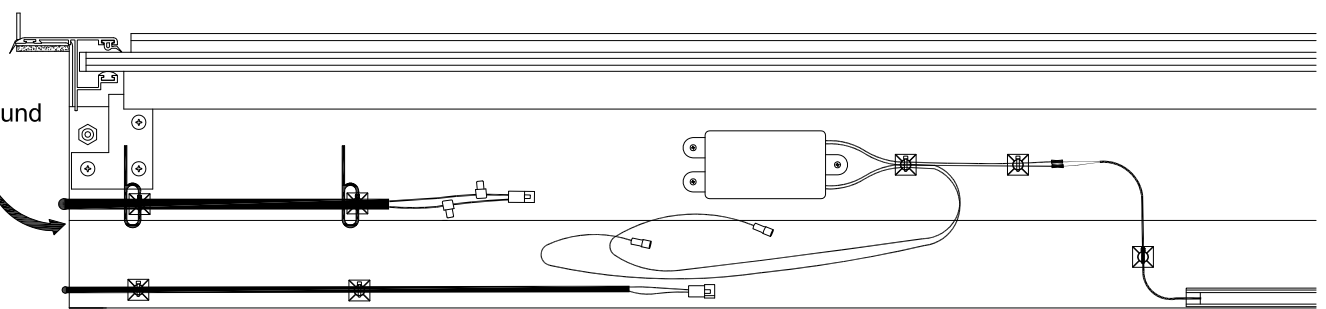
A

Unwrap light wires from motor wire.



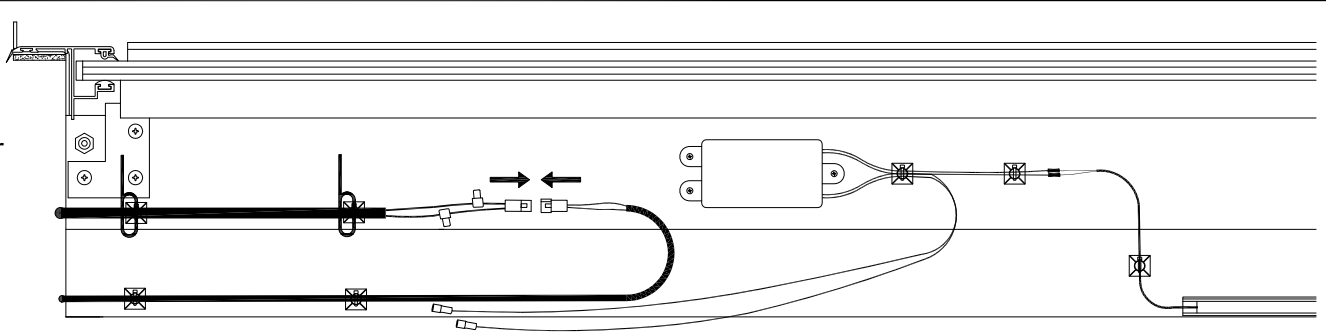
B

Bring power wire around and loosely zip tie to the front of the unit.



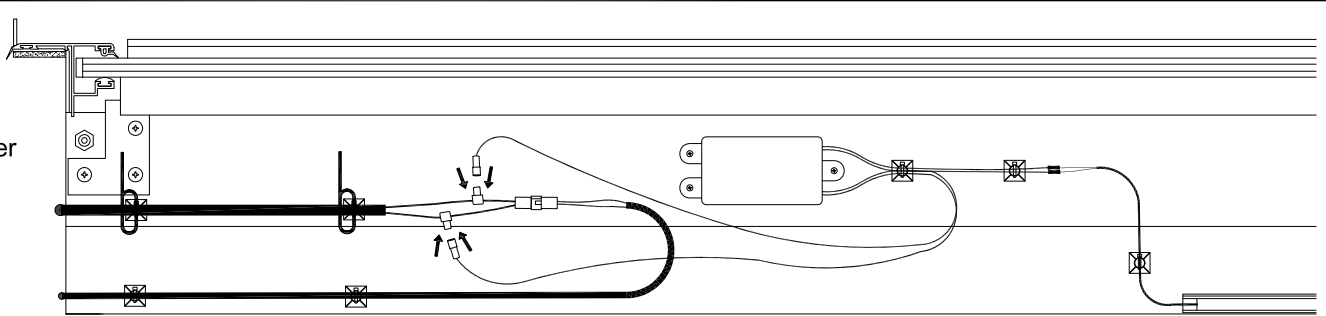
C

Plug motor wire connector into power wire connector.



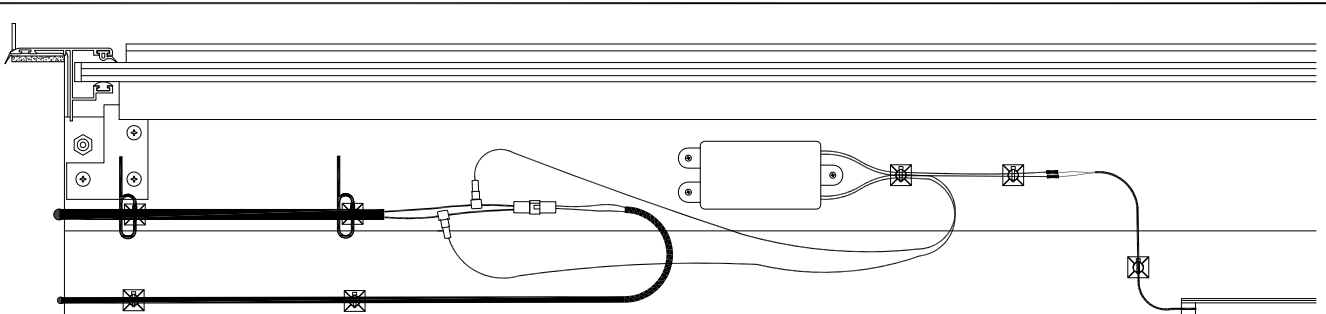
D

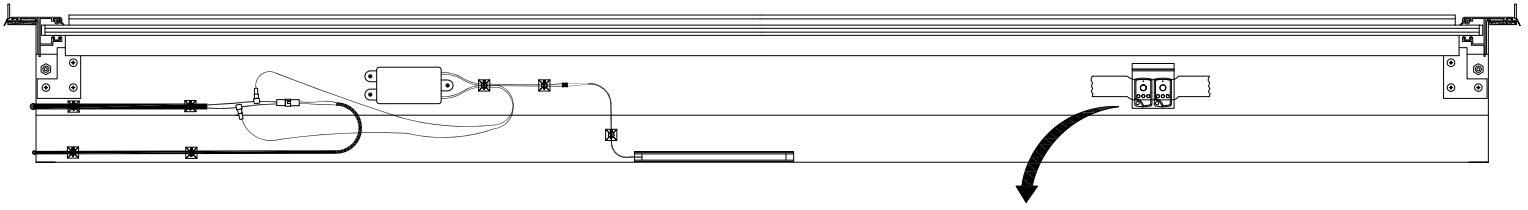
Plug light wire connectors into power wire connectors.



E

Position motor wire tighten zip ties and trim.

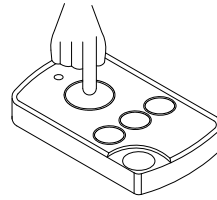




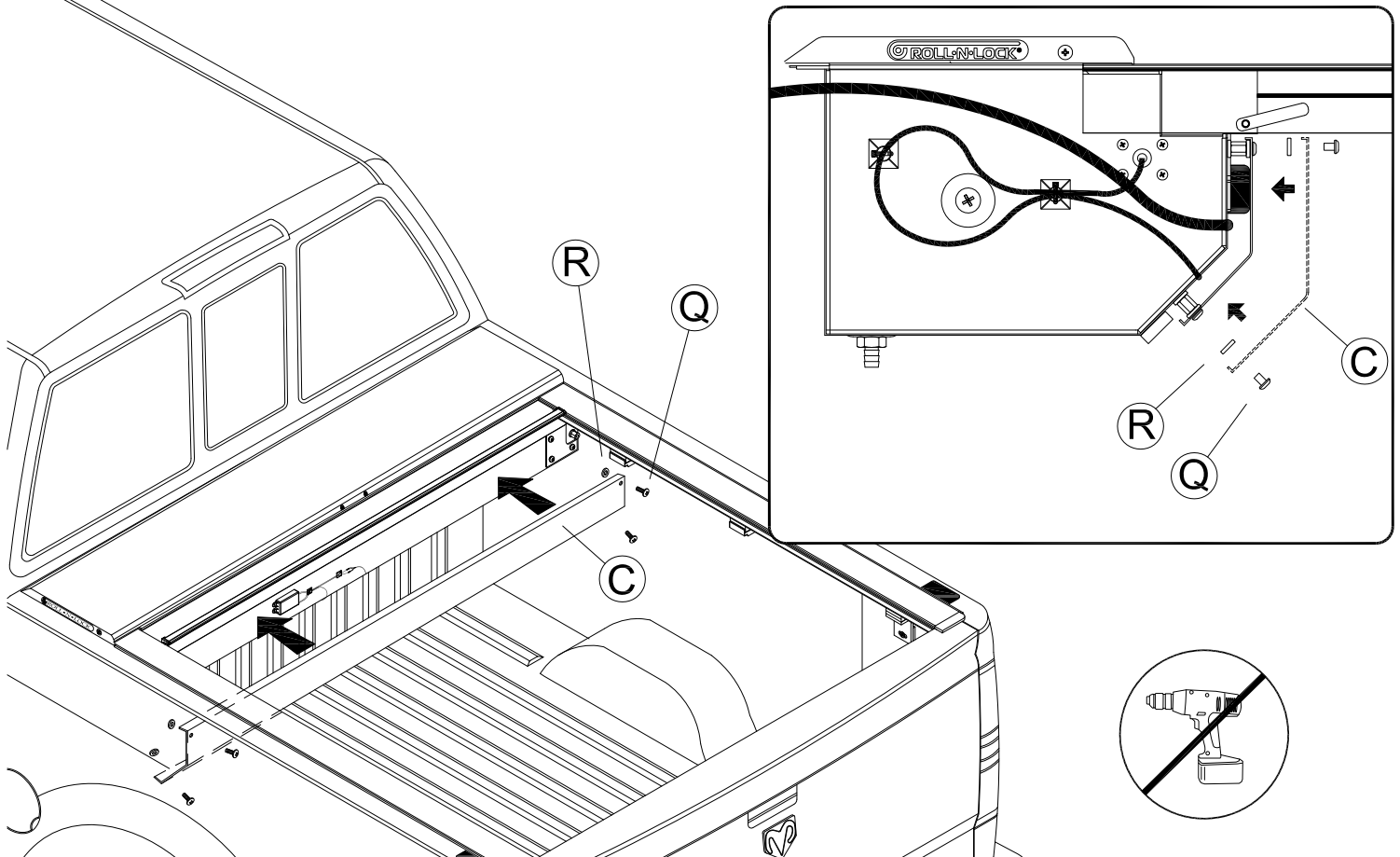
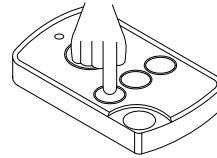
- Remove remotes from housing.

Operating the system:

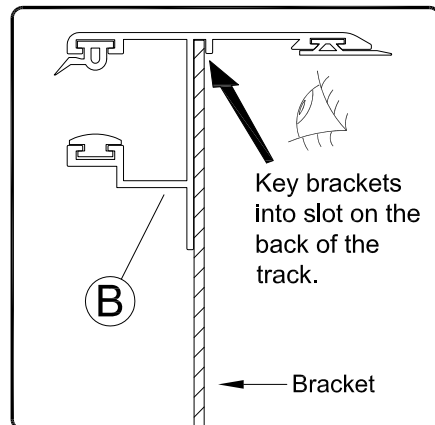
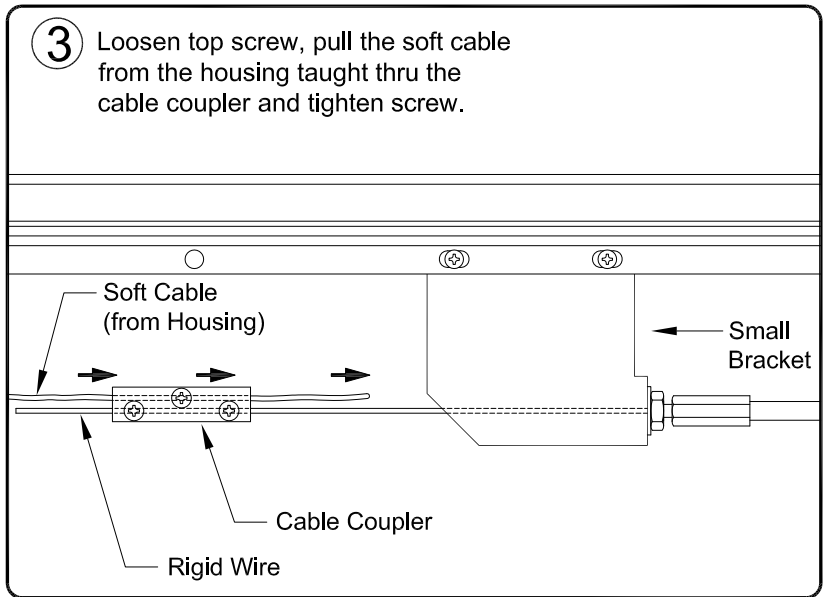
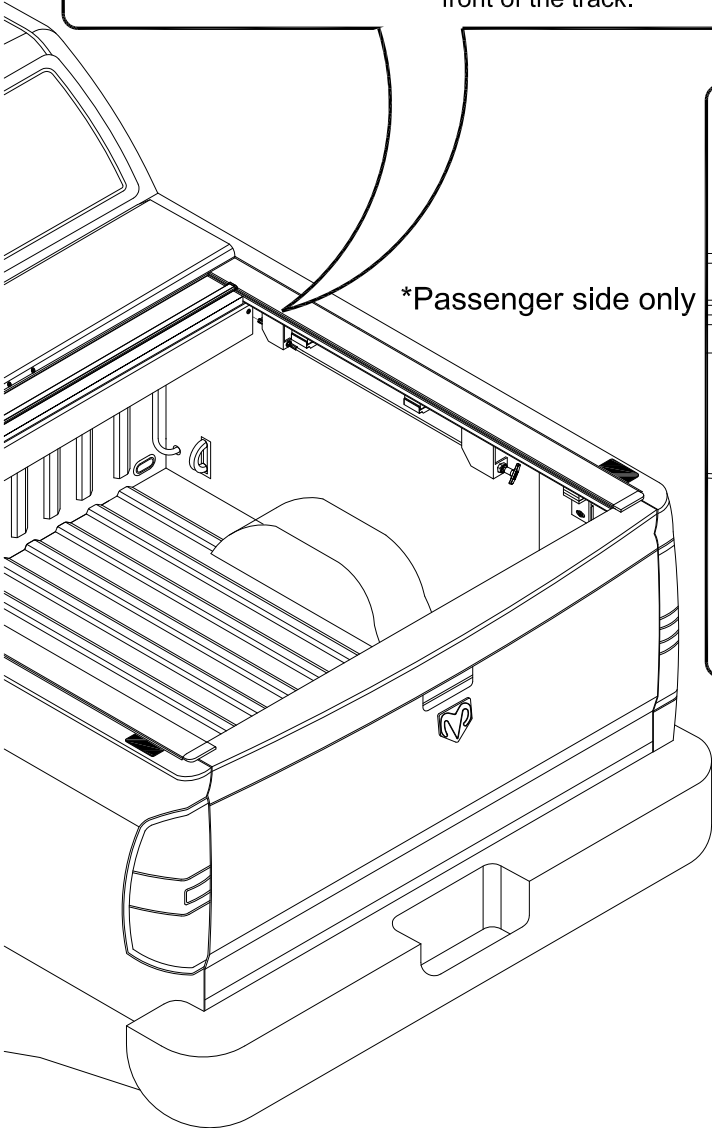
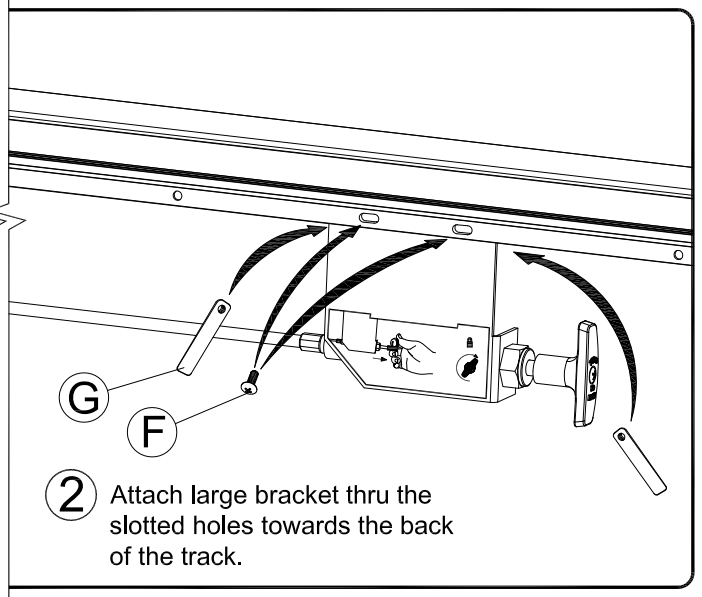
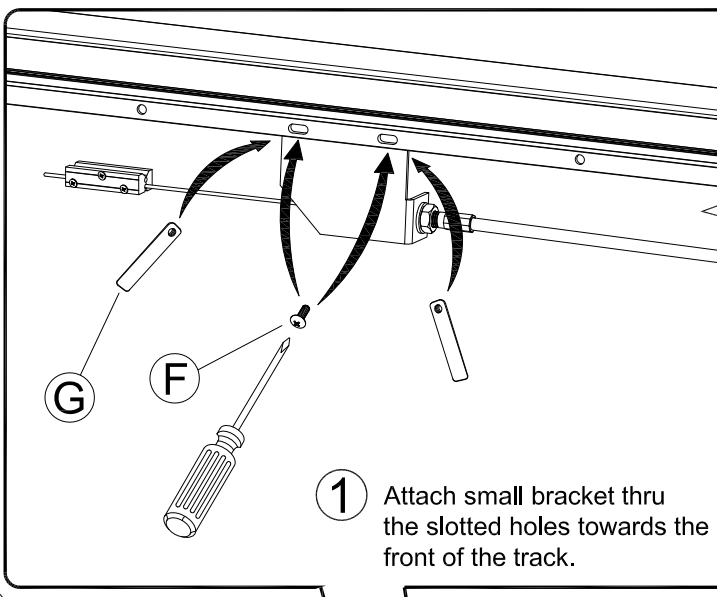
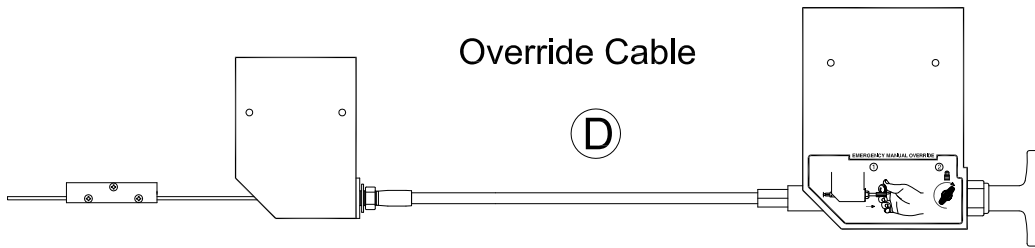
- Push the large button to run cover.
- Push the large button to stop the cover.
- Cover will stop automatically at tailgate and housing.

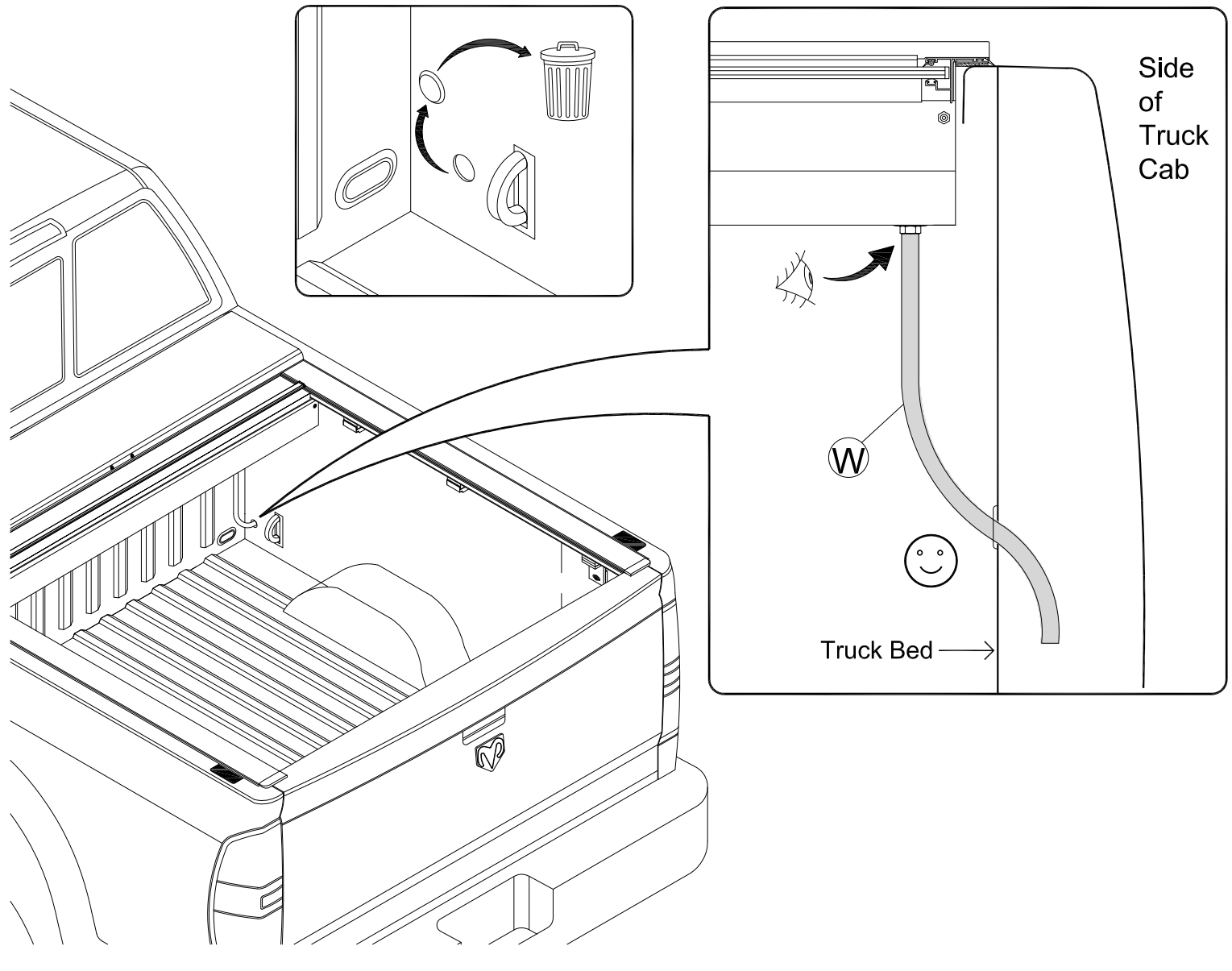


- Push the small left button to turn light on.
- Push the small left button to turn light off.
- Light will automatically turn off in 3 minutes.



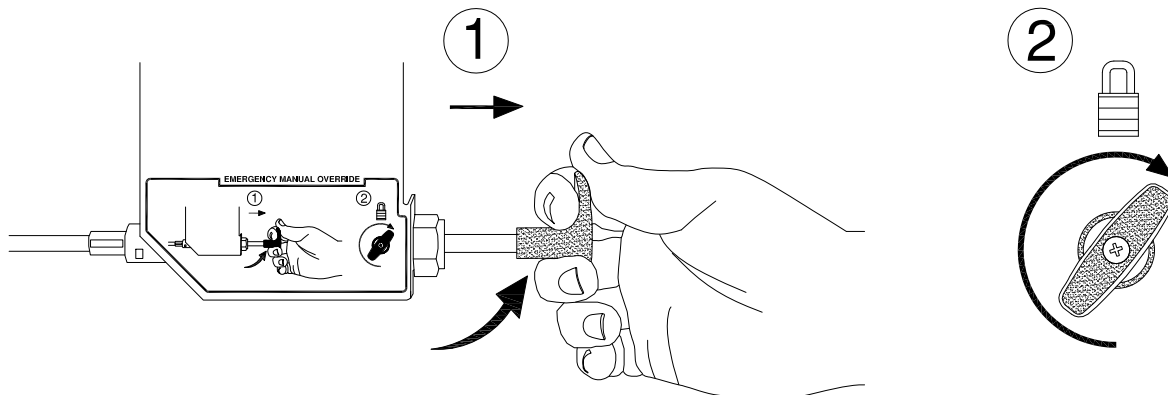
Override Cable





Operating the override:

- Use only when the cover is not operating remotely.
- Pull the lever and turn to lock in place, the cover will operate manually.
- Unlock the lever and push back to lock cover.





Any questions please call Customer Service at 800-952-7655
or email customerservice@rollnlock.com