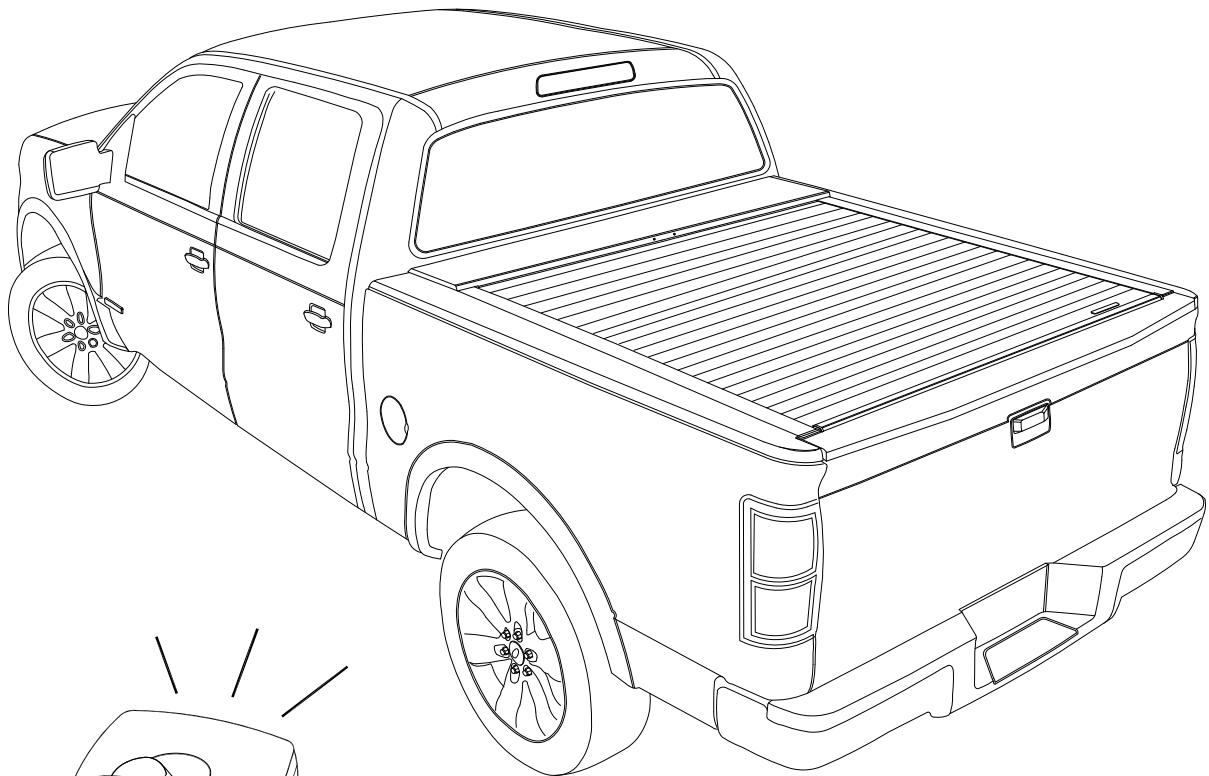




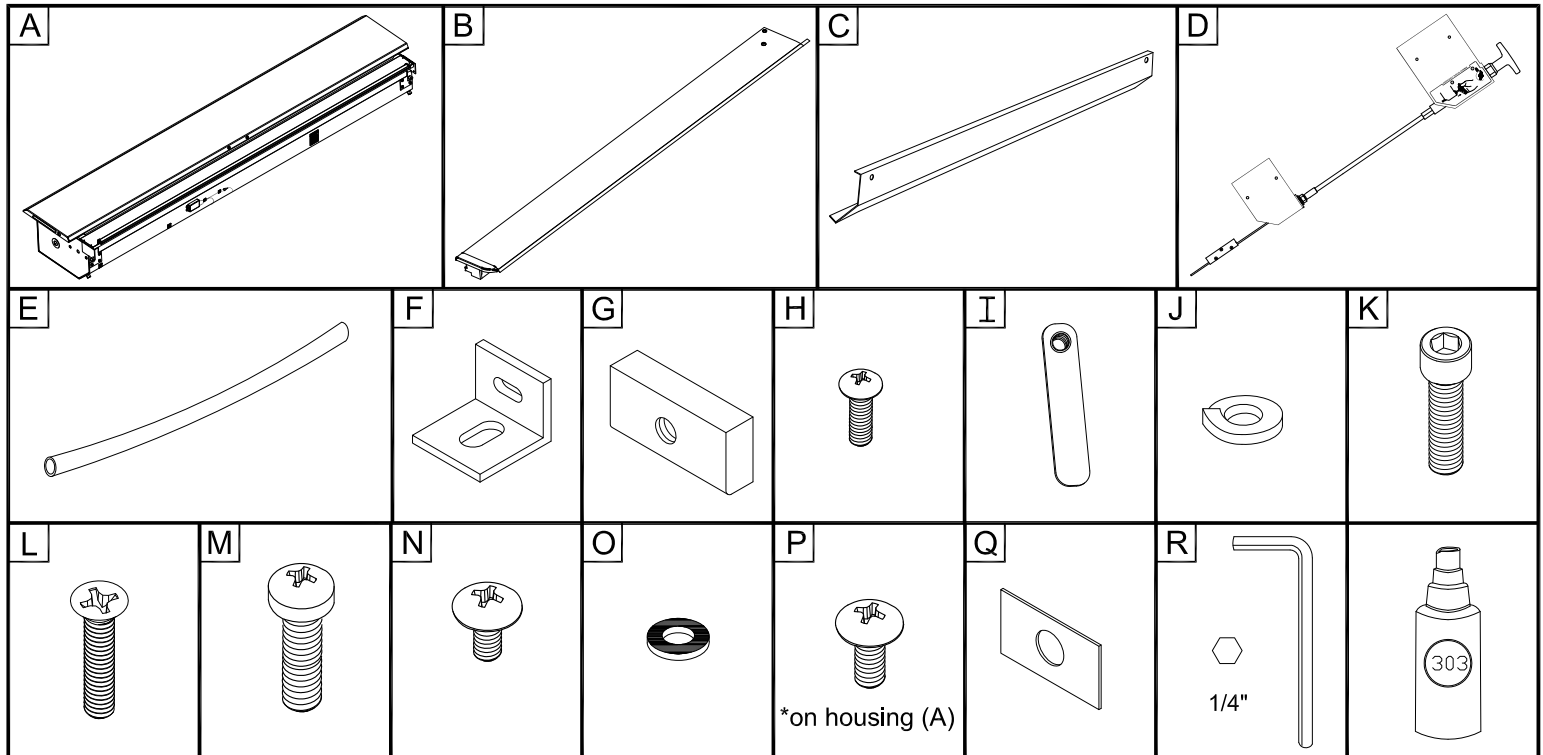
E Series Installation Guide Toyota Tundra



Product Code:
RC570E - RC571E

Parts List

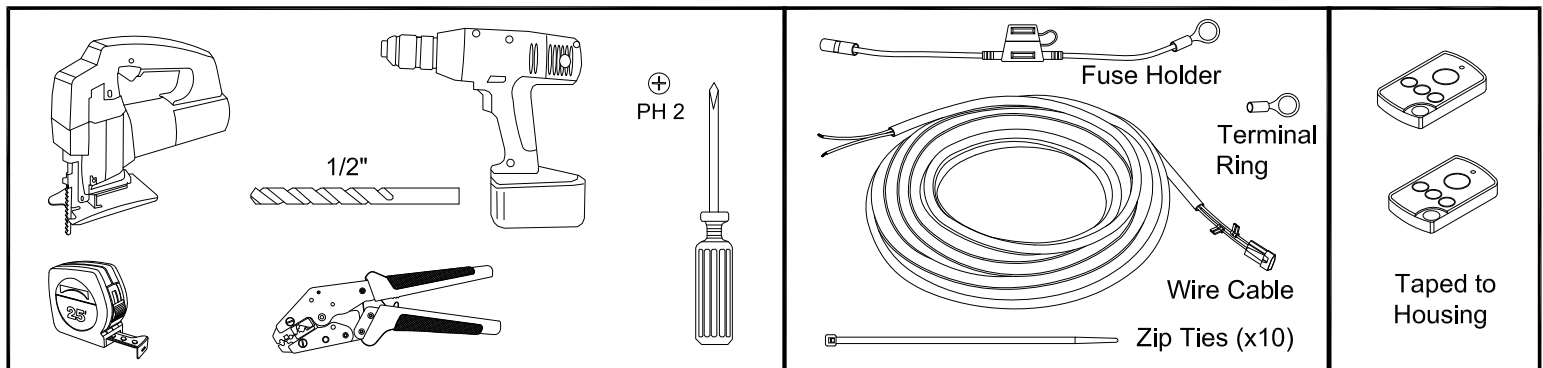
Item	Part Name	Qty.	Item	Part Name	Qty.	Item	Part Name	Qty.
A	Housing	1	G	1x2x1/4" Threaded Block	4/6	M	6m x 25mm Pan Head	4/6
B	Track	2	H	#10-24 Screw	6	N	1/4-20 x 3/8" Screw	4
C	Cargo Shield	1	I	Cargo Nut	6	O	Rubber Washer	4
D	Override Cable	1	J	5/16" Lock Washer	4/6	P	1/4" Lid Screw	2
E	Drain Tube	2	K	5/16" x 1" Cap Screw	4/6	Q	Shim	4/6
F	Tundra "L" Bracket	4/6	L	1/4-20x1 1/4" Flat Head	4/6	R	Allen Wrench (1/4")	1
							303 Vinyl Protector	1



Tools Needed

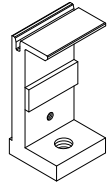
Power Wire / Connectors

Remotes



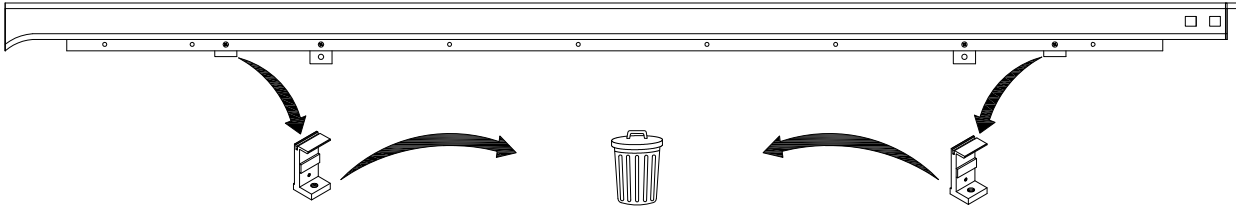
If your Tundra has the "Deck Rail System".

- unpack tracks.
- remove the "ST" track clamps as shown.
- install the Roll•N•Lock using pages 4-16.

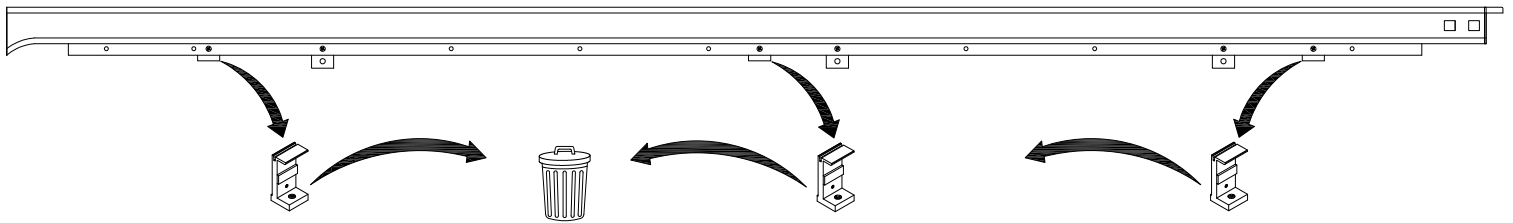


"ST" Clamp

(B)

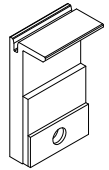


(B)



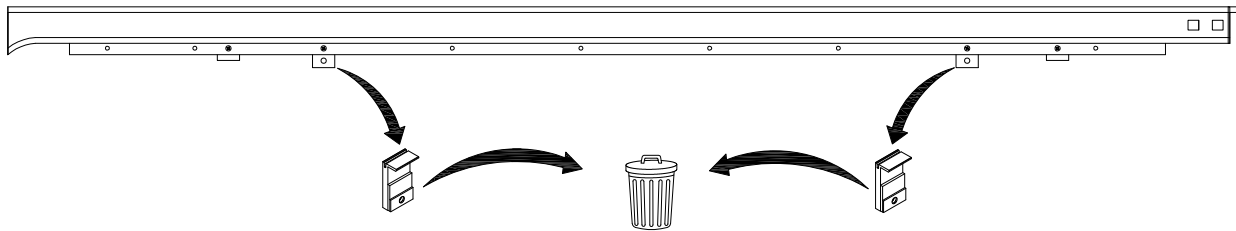
If your Tundra does NOT have the "Deck Rail System".

- unpack tracks.
- remove the "T" track clamps as shown.
- install the Roll•N•Lock using pages 17-29.

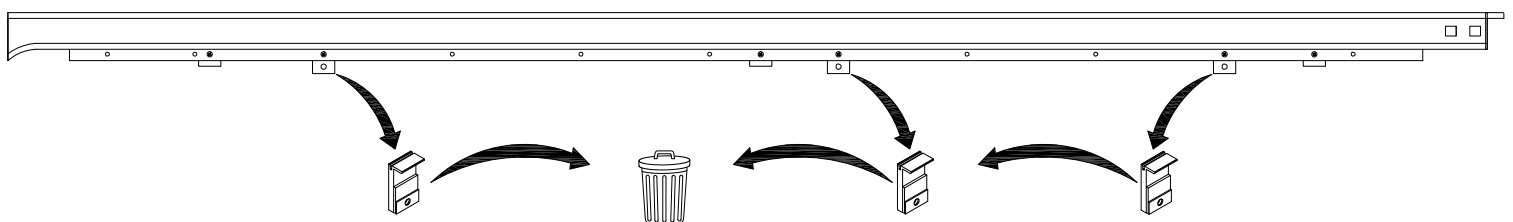


"T" Clamp

(B)



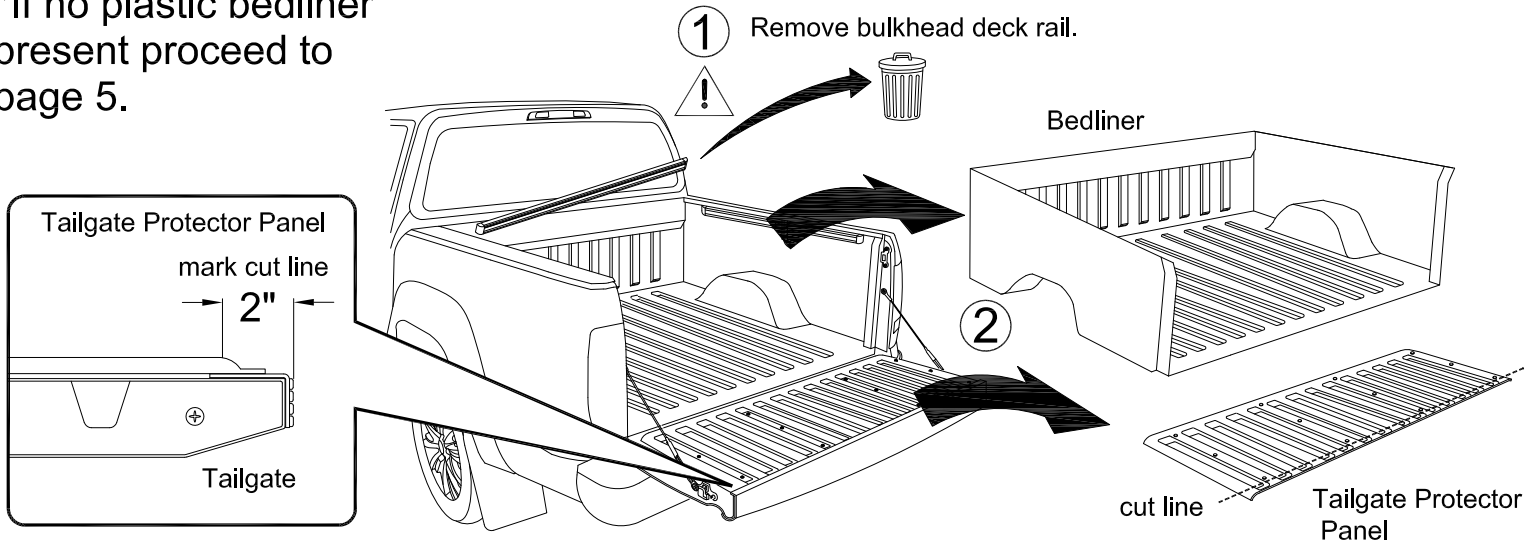
(B)



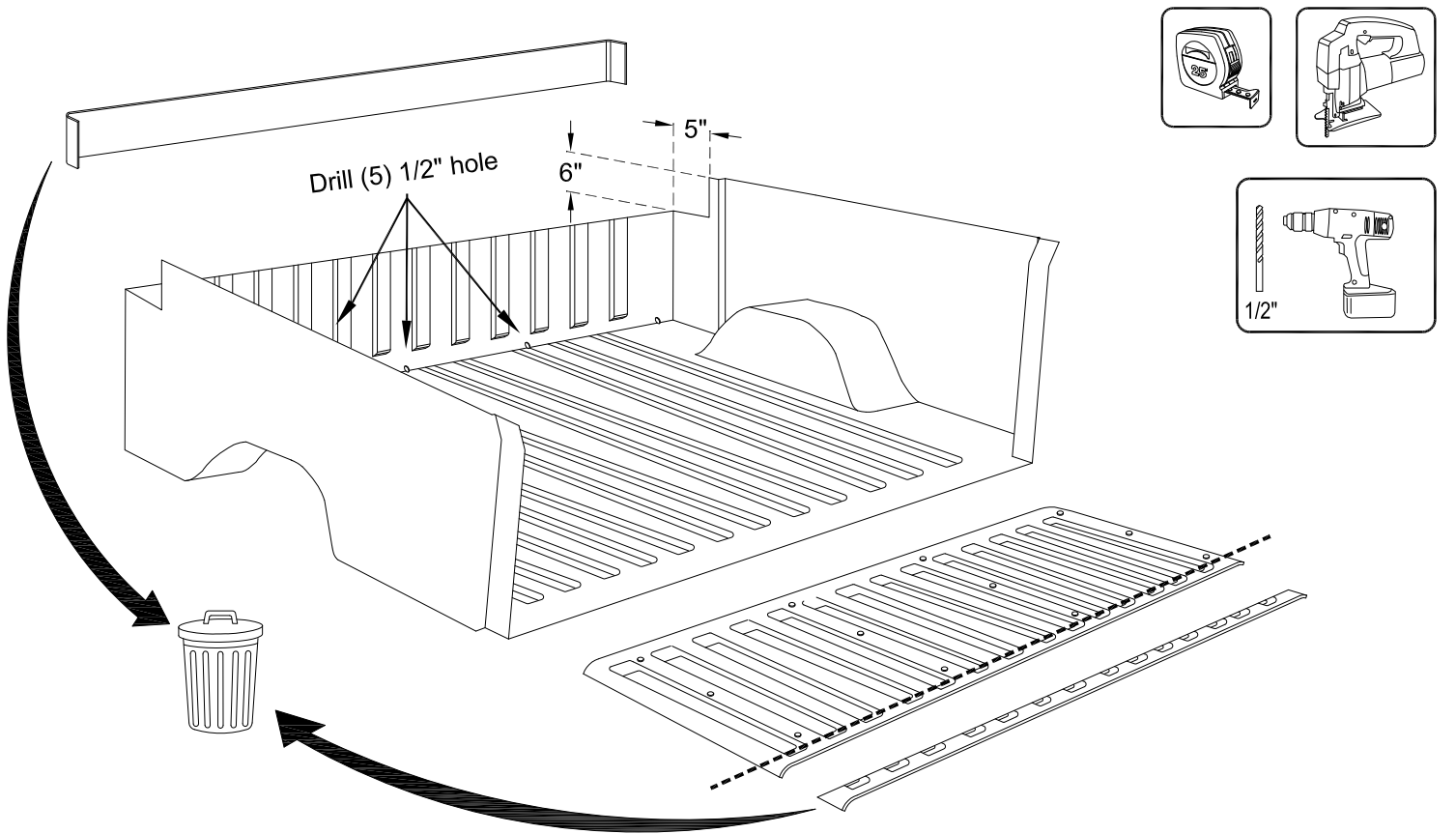
1a

For applications with the "Deck Rail System"

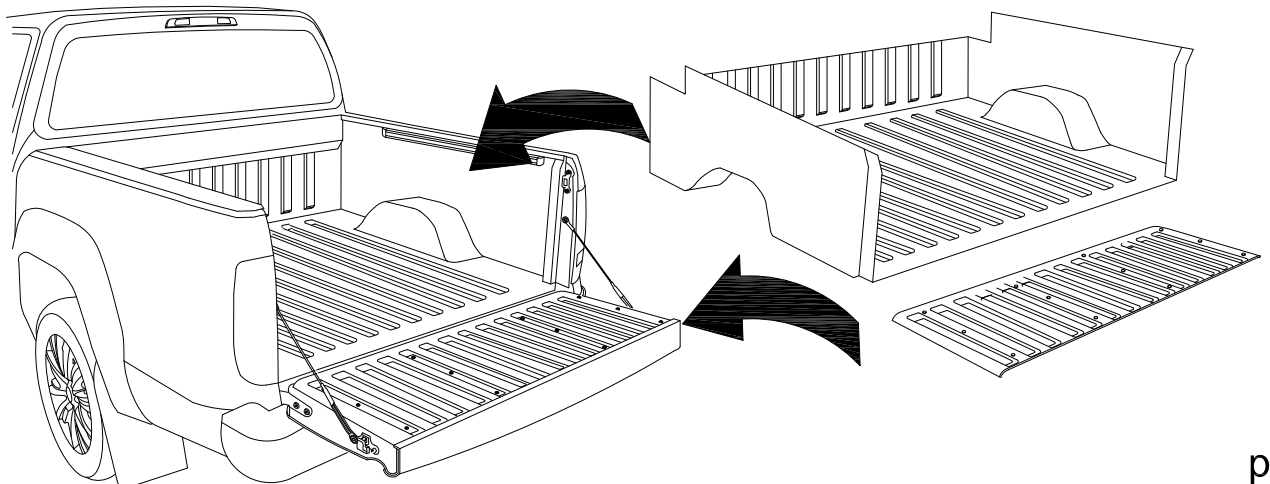
*If no plastic bedliner present proceed to page 5.



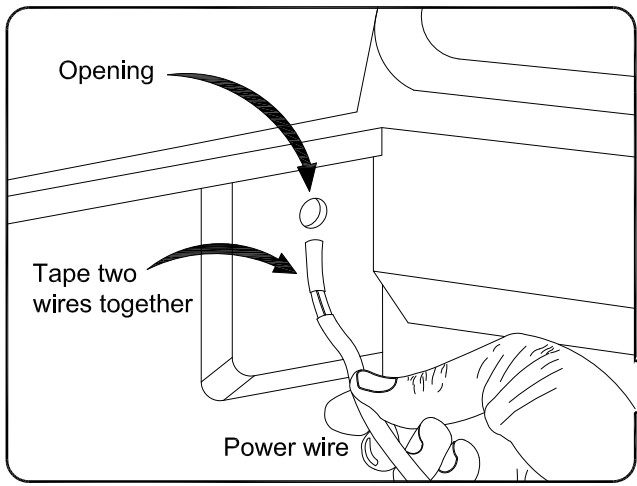
1b



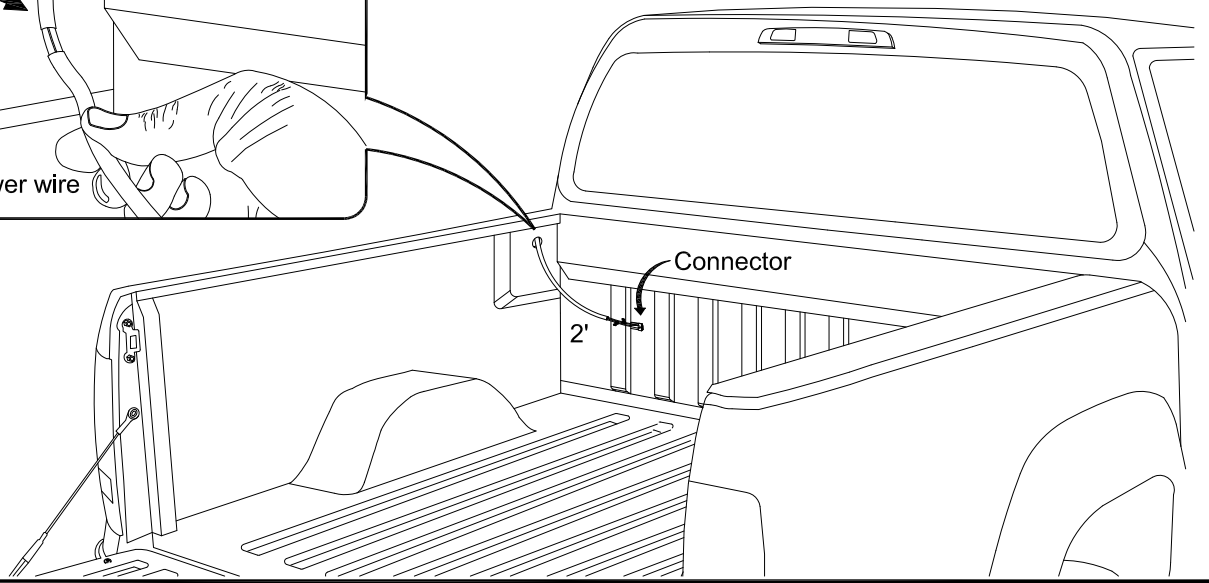
1c



2

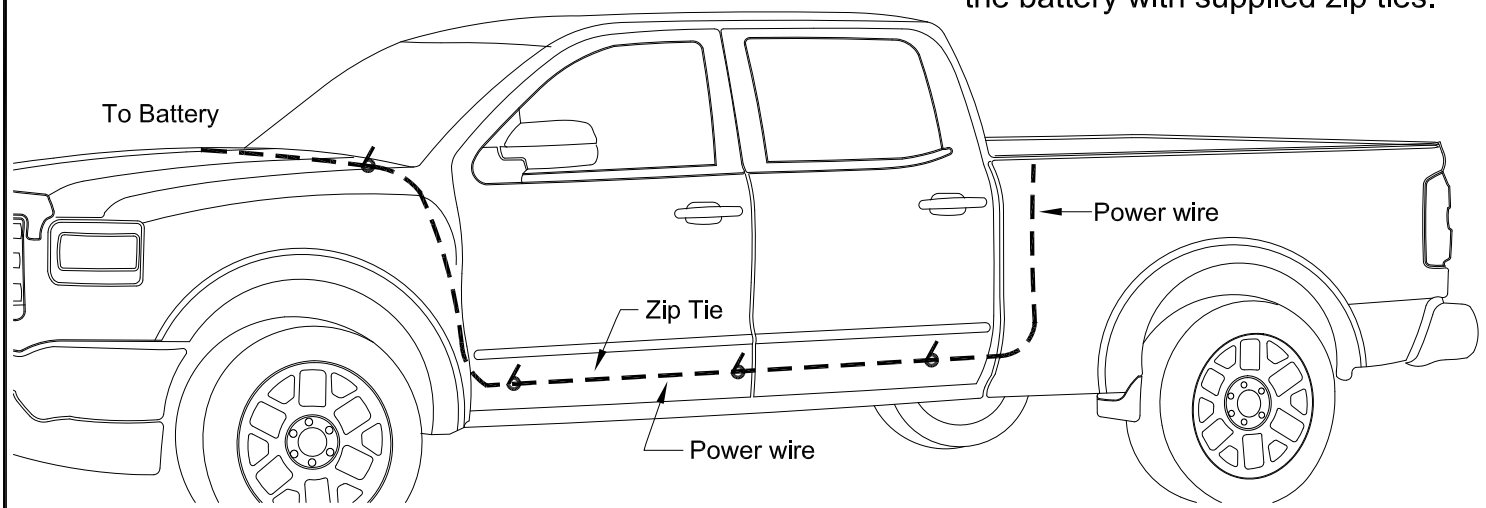


Tape the two wires together on the end of the power wire, feed down through opening on drivers side of truck cap, feed down through the side panel to the ground. Leave 2' of power wire in the truck bed.



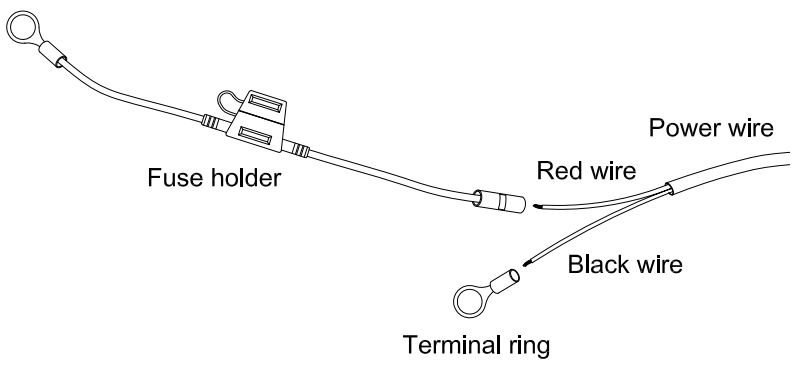
3

Feed power wire under the truck securing to an existing wire harness leading to the battery with supplied zip ties.

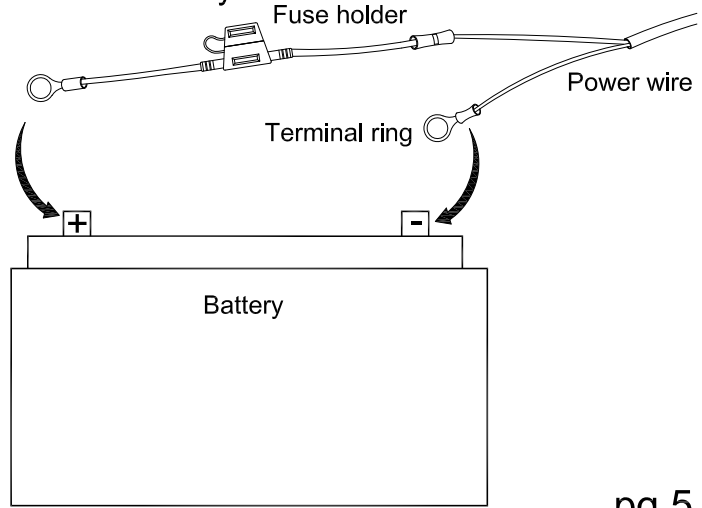


4

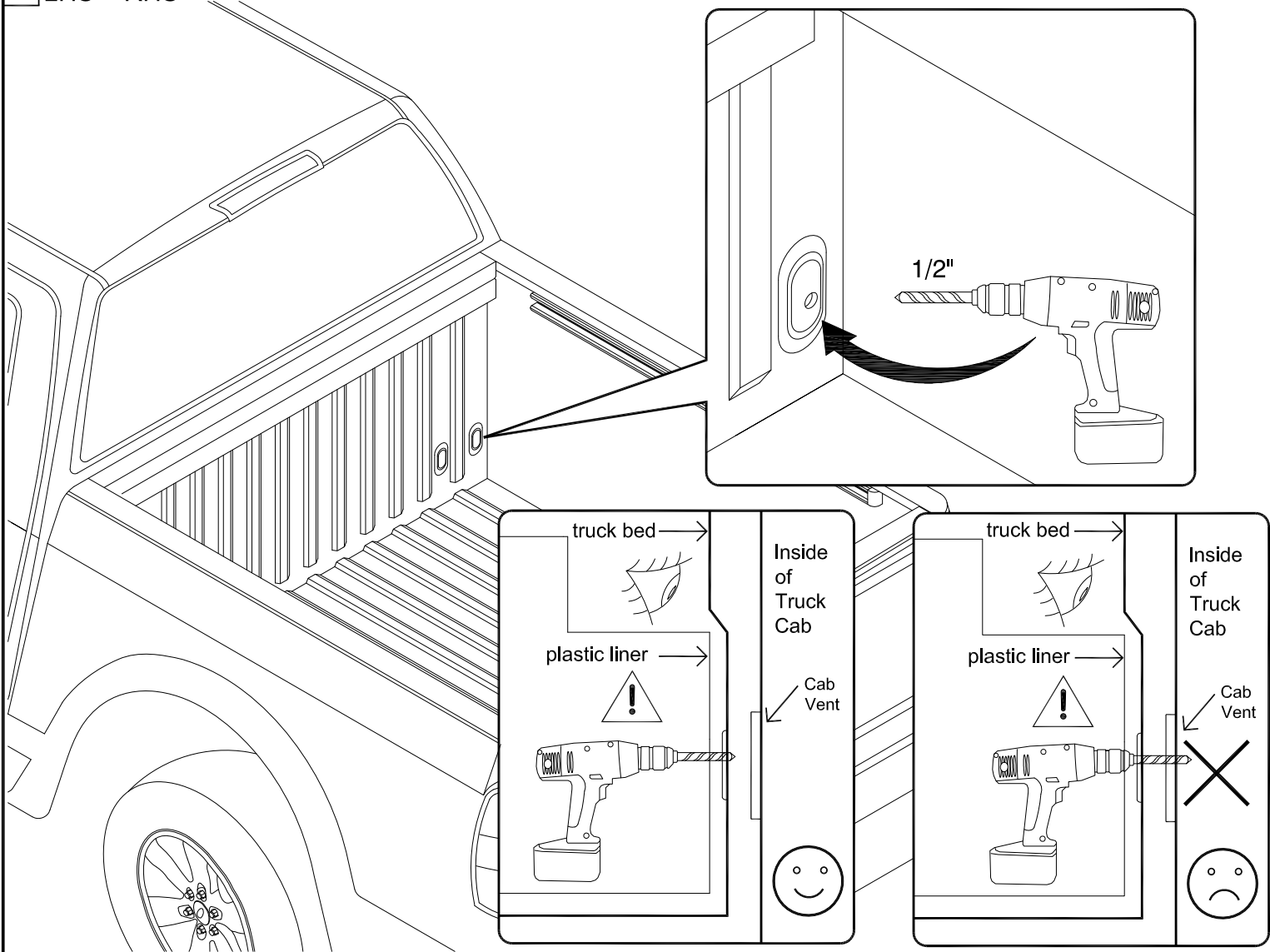
Crimp the fuse holder to the RED wire and the terminal ring to the Black wire.



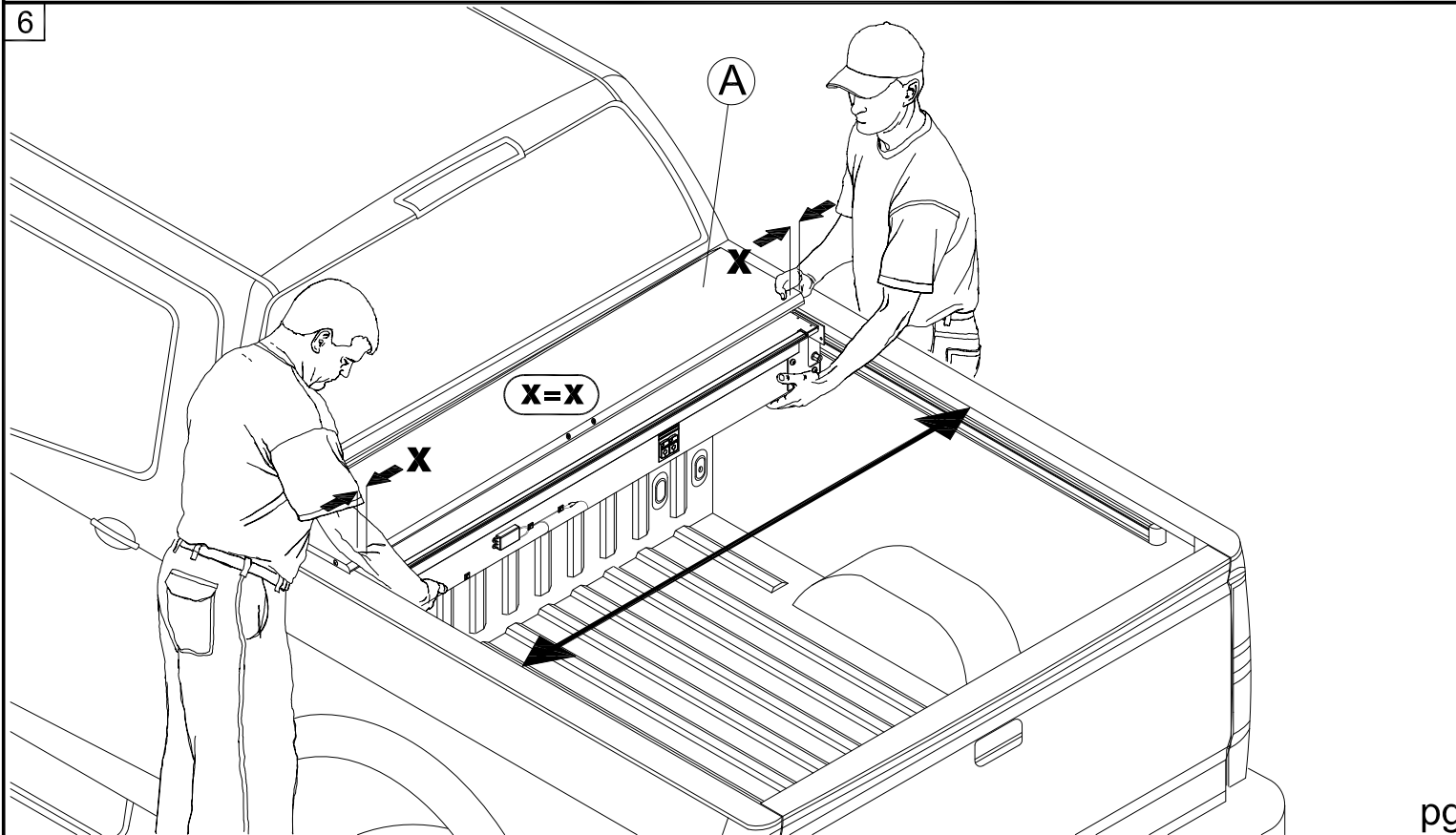
Connect to battery.



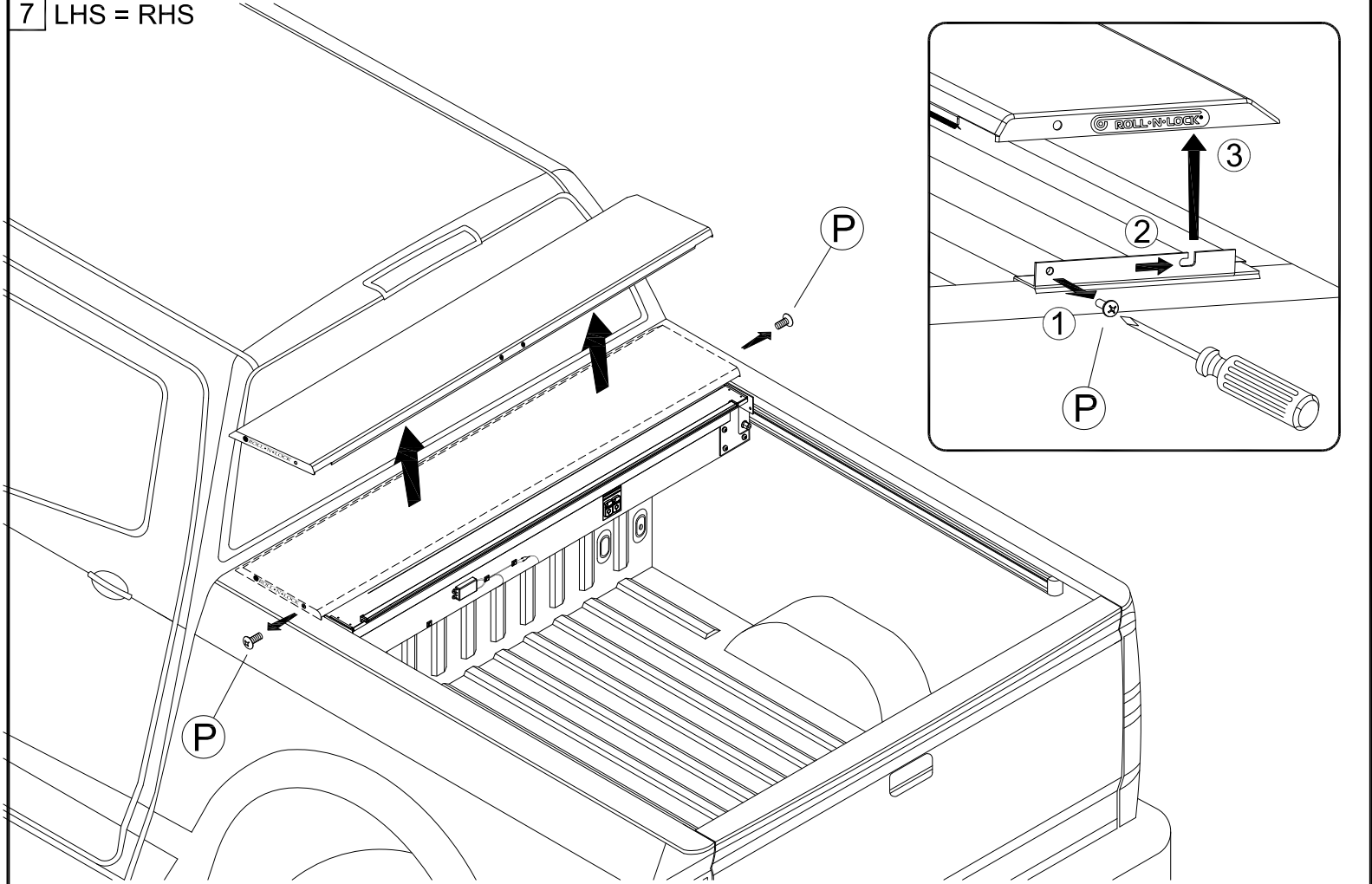
5 LHS = RHS



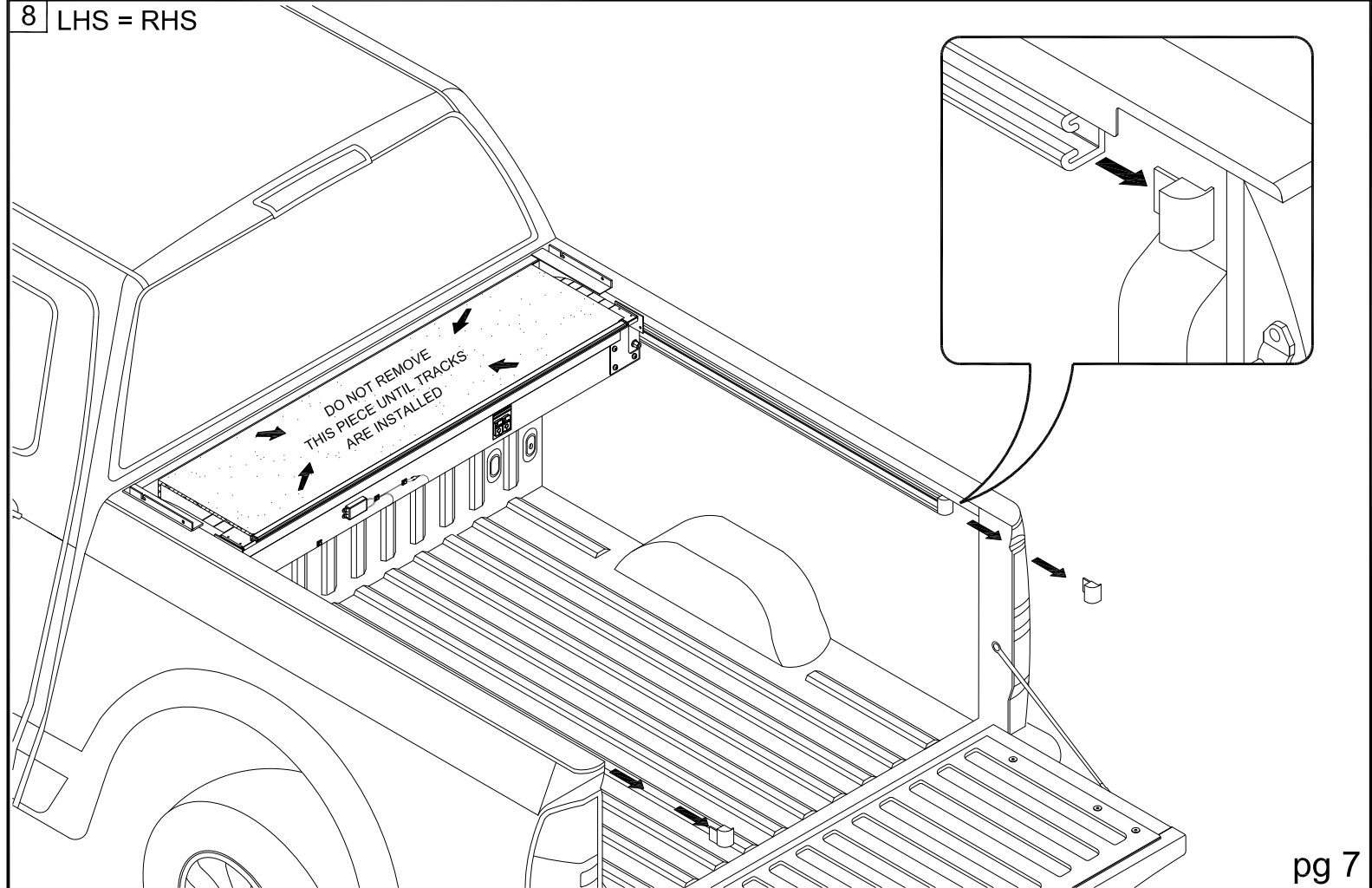
6



7 LHS = RHS

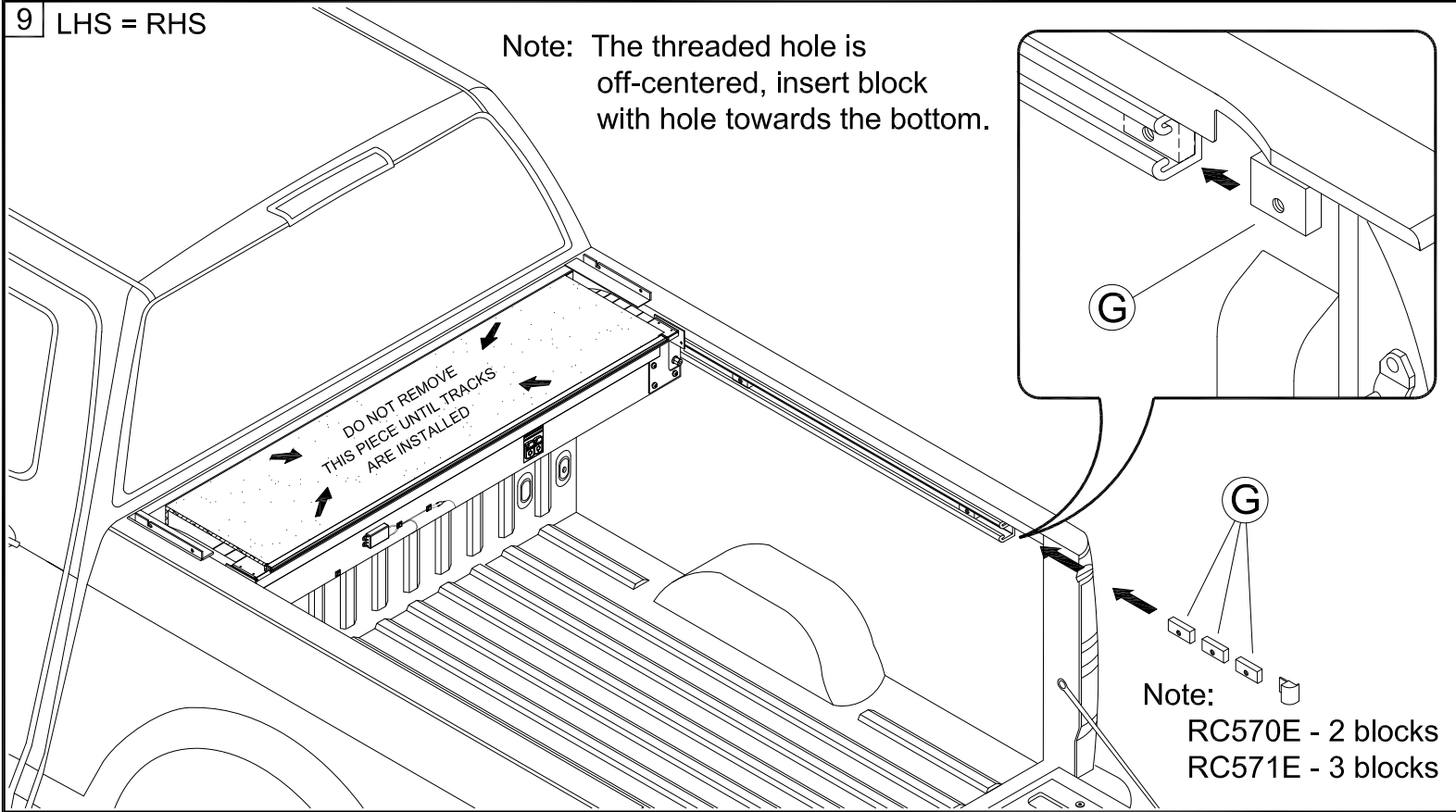


8 LHS = RHS

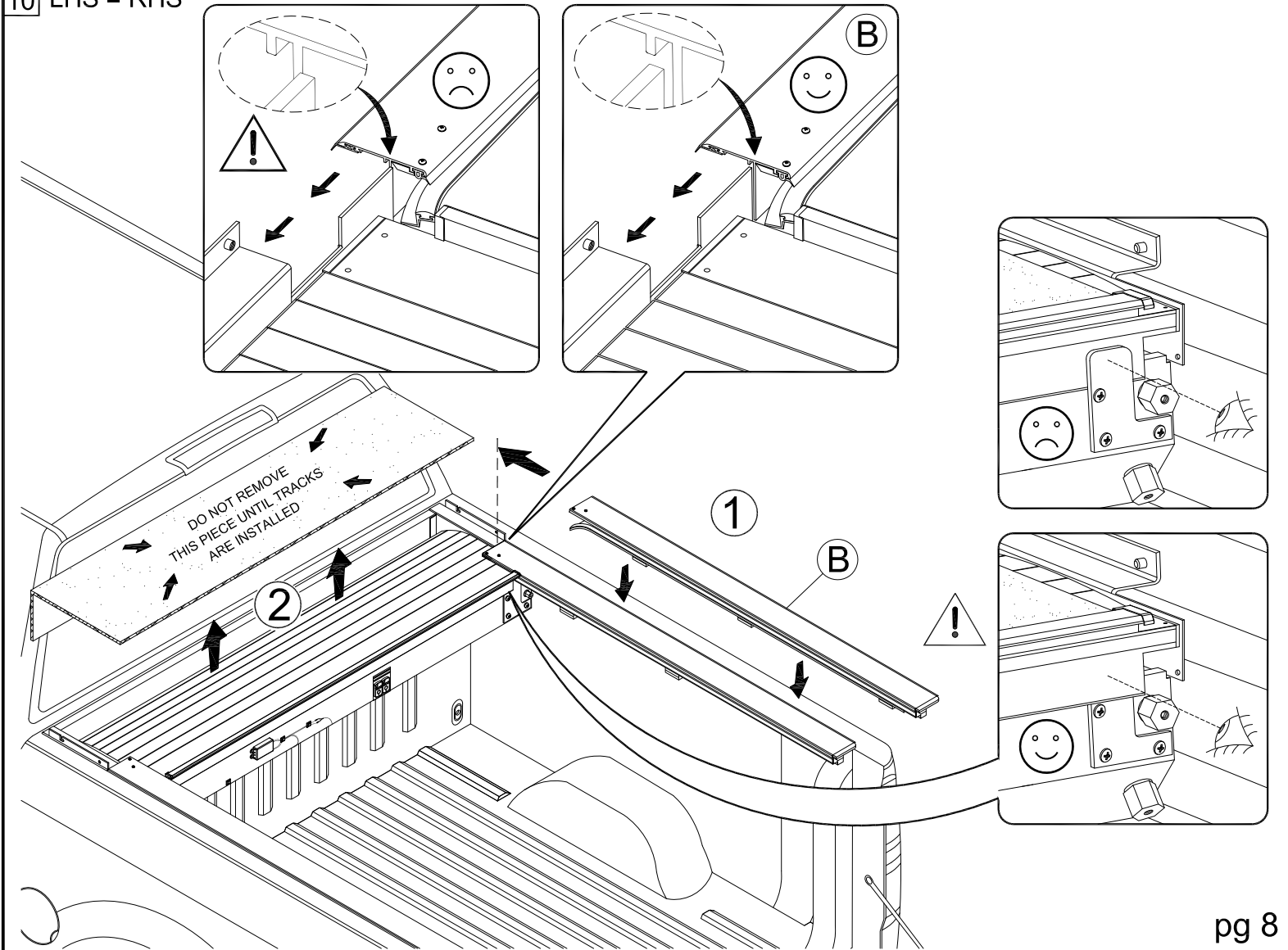


9 LHS = RHS

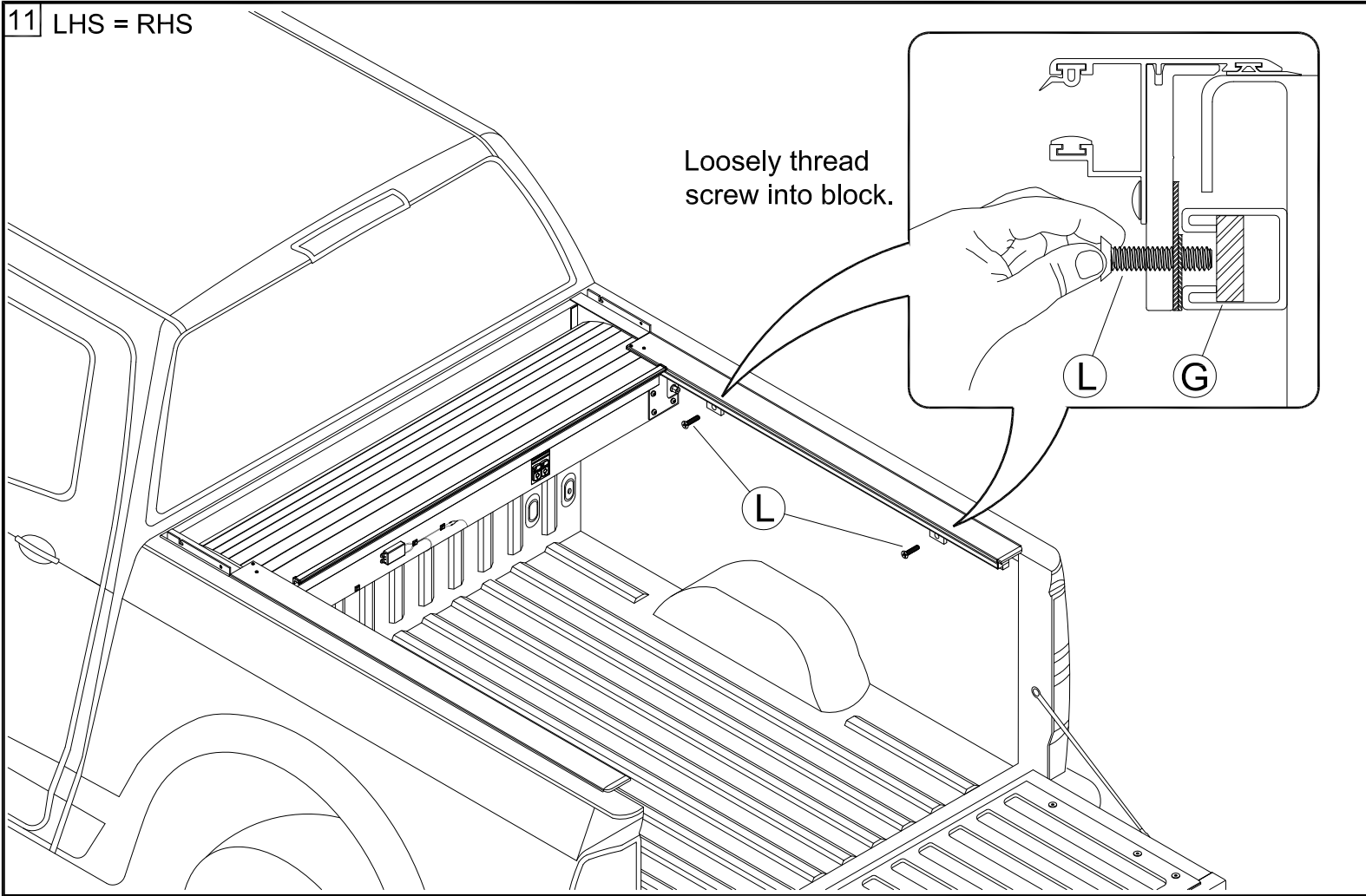
Note: The threaded hole is off-centered, insert block with hole towards the bottom.



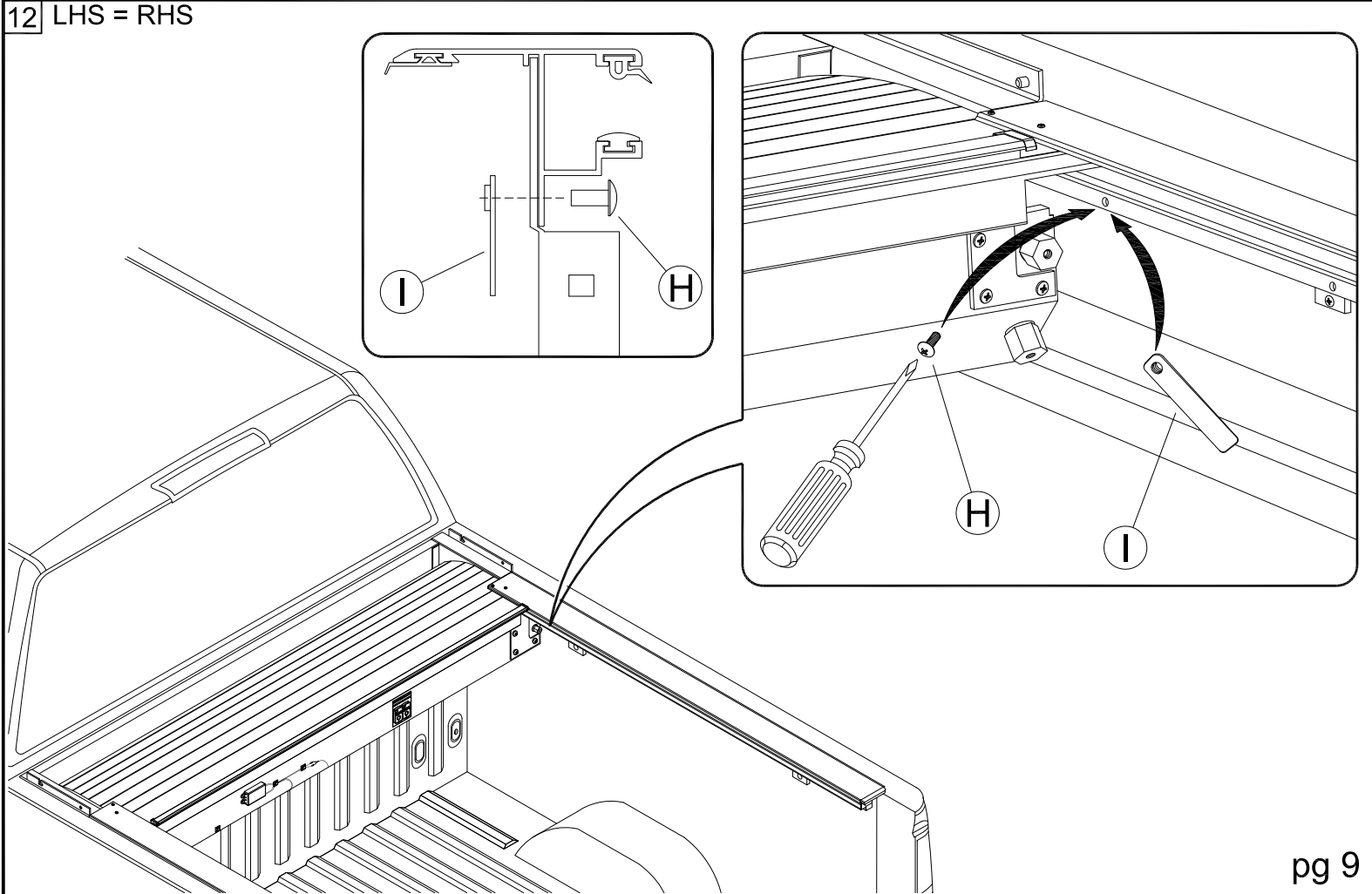
10 LHS = RHS

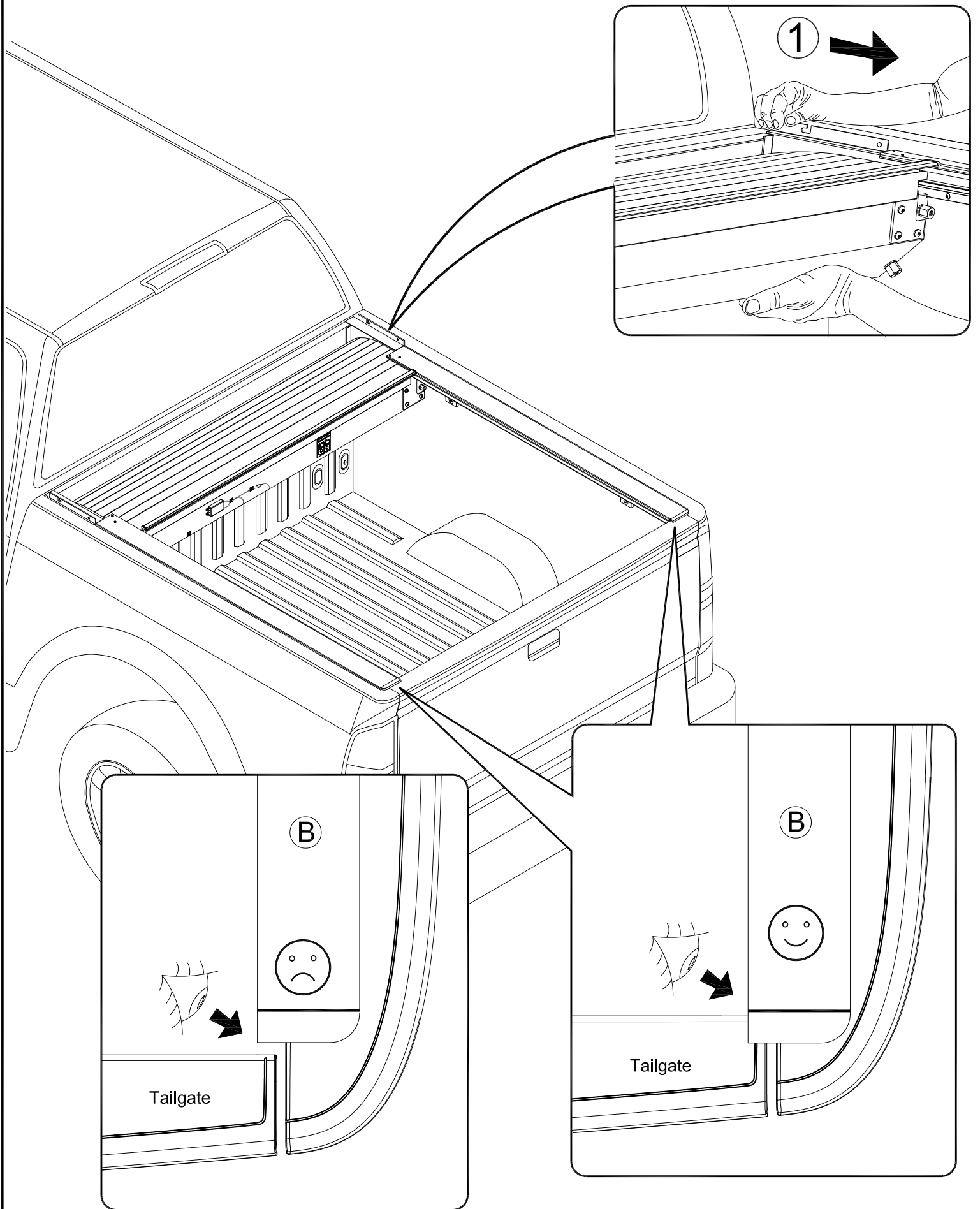


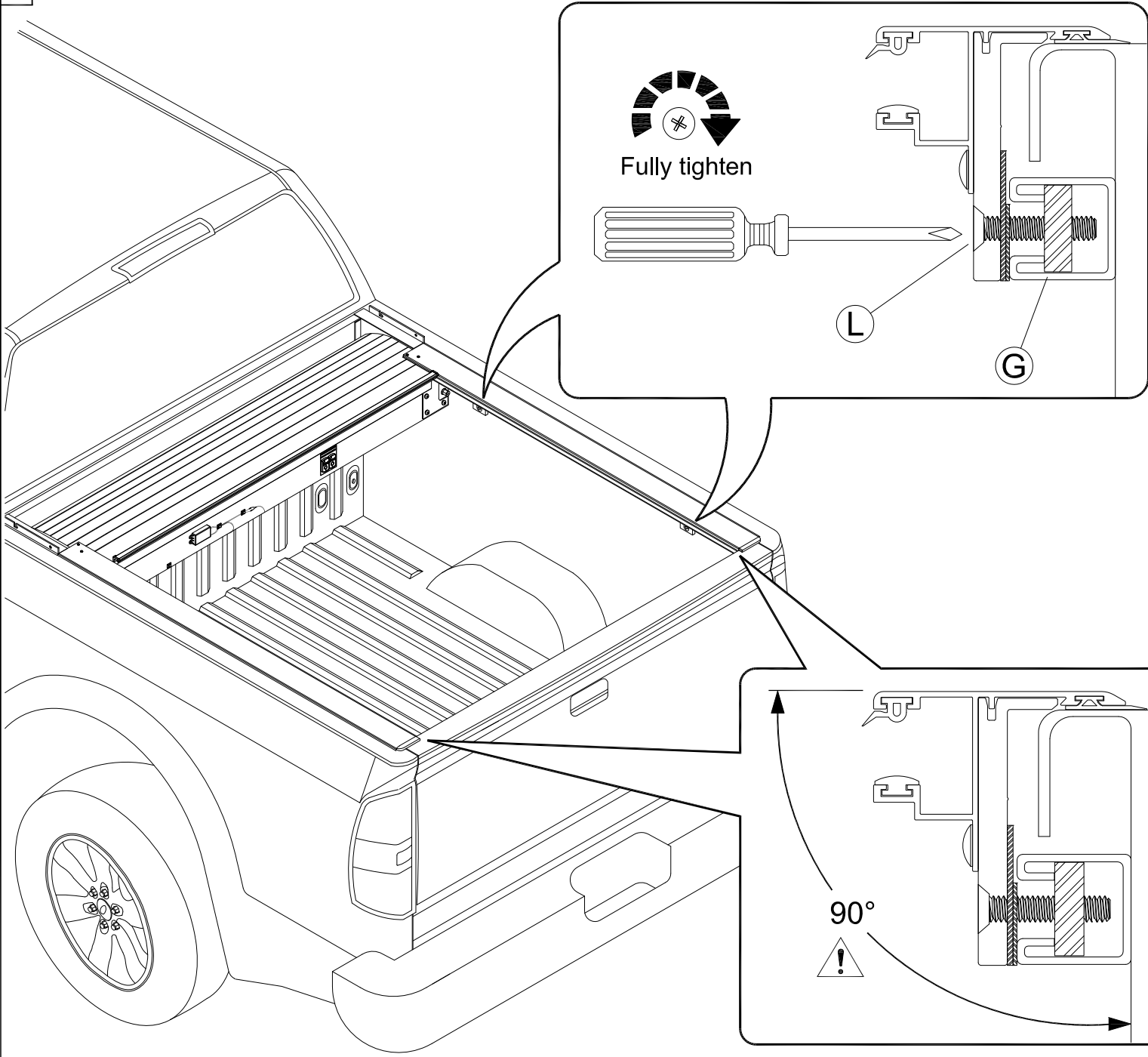
11 LHS = RHS



12 LHS = RHS

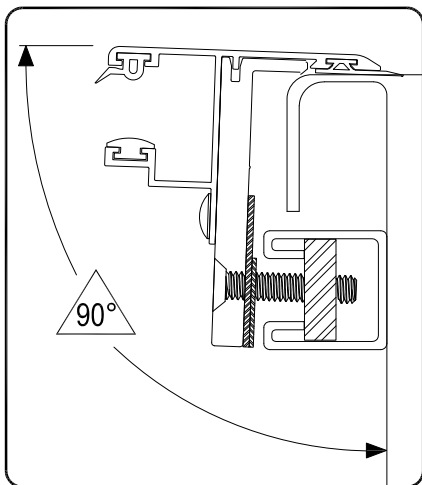




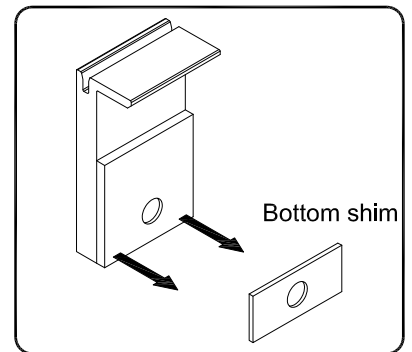


Trouble Shooting

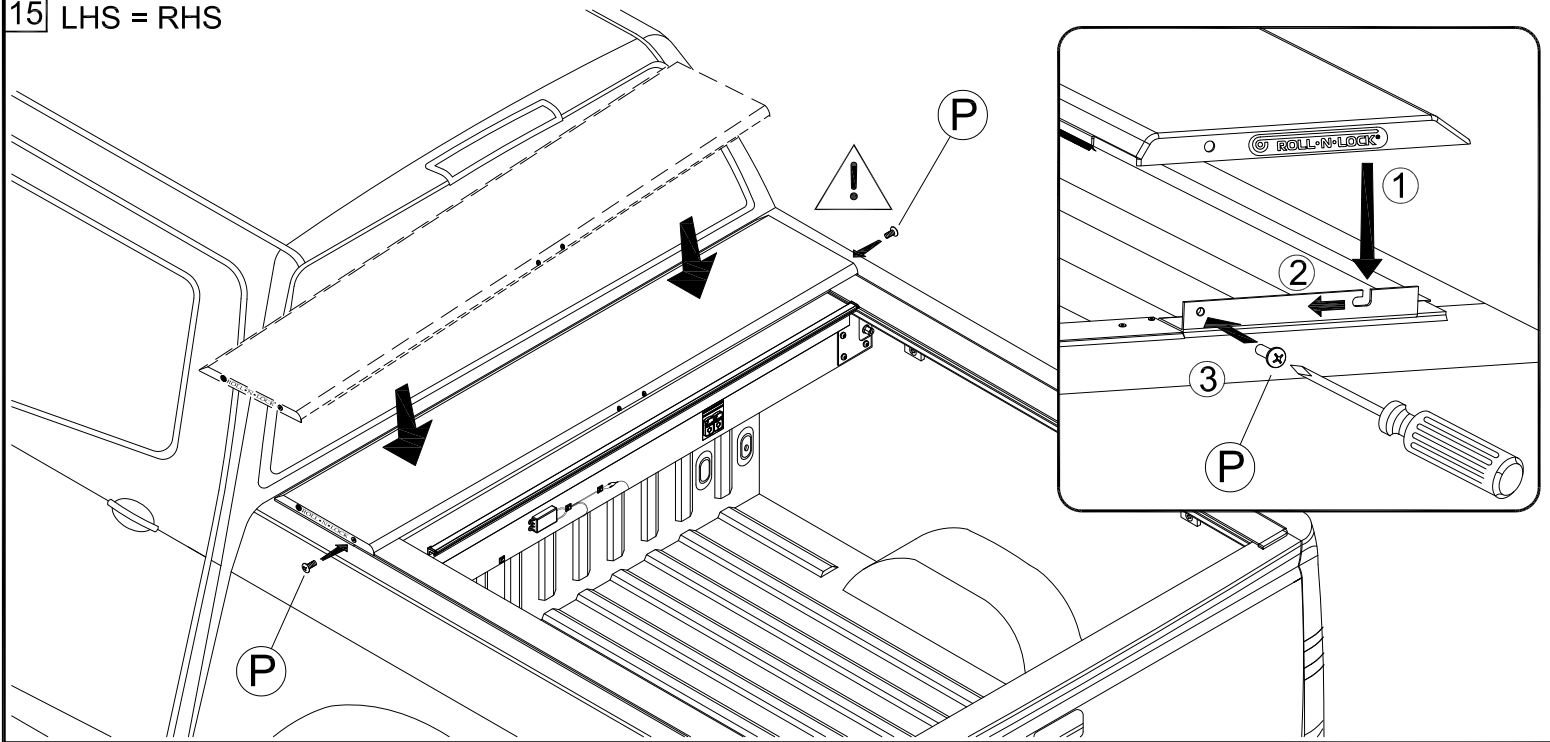
Track tips up.



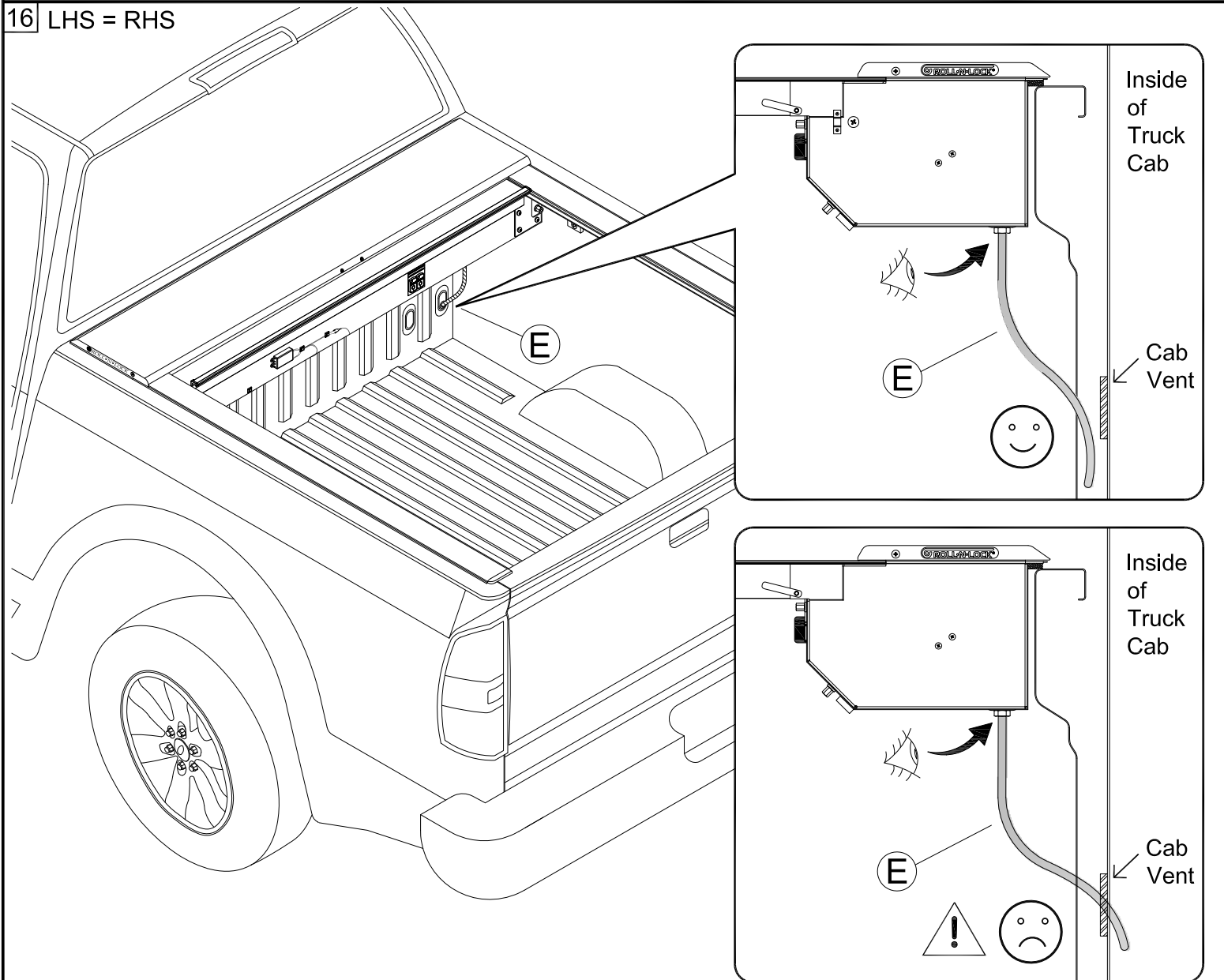
Remove bottom shims from back of track clamp.



15 LHS = RHS



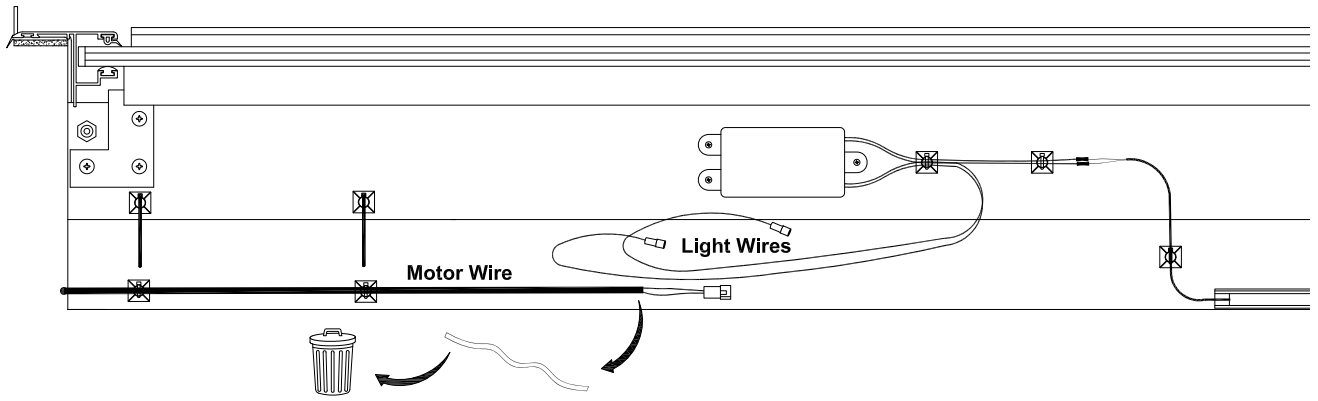
16 LHS = RHS



Powering the unit:

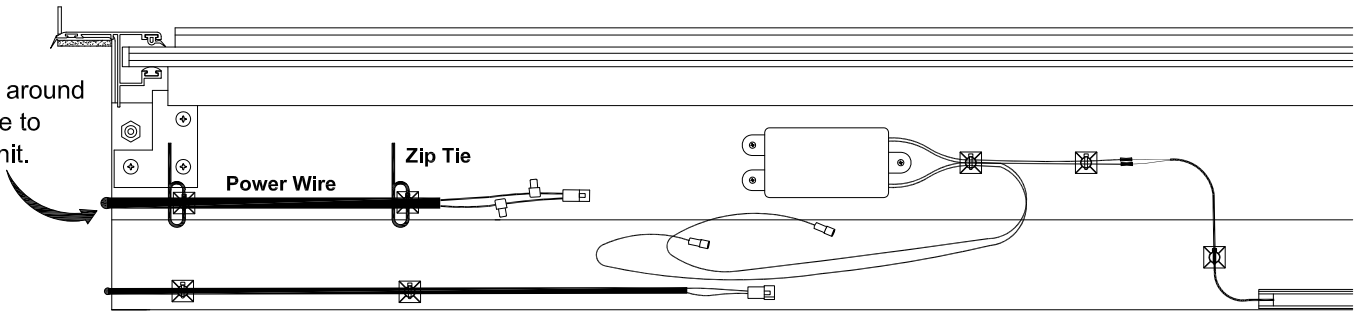
A

Unwrap light wires from motor wire.



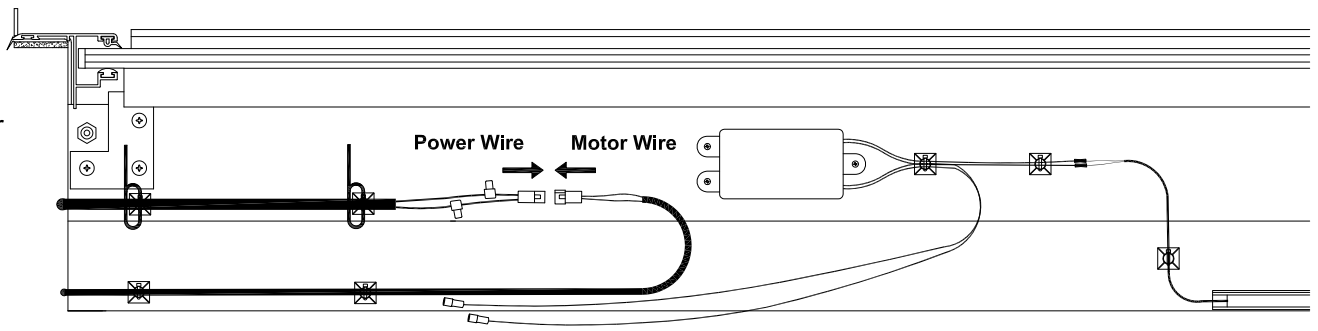
B

Bring power wire around and loosely zip tie to the front of the unit.



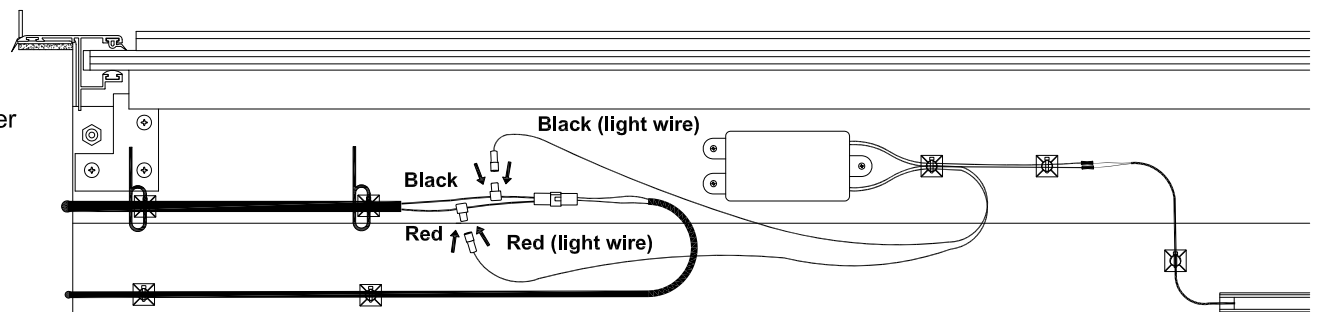
C

Plug motor wire connector into power wire connector.



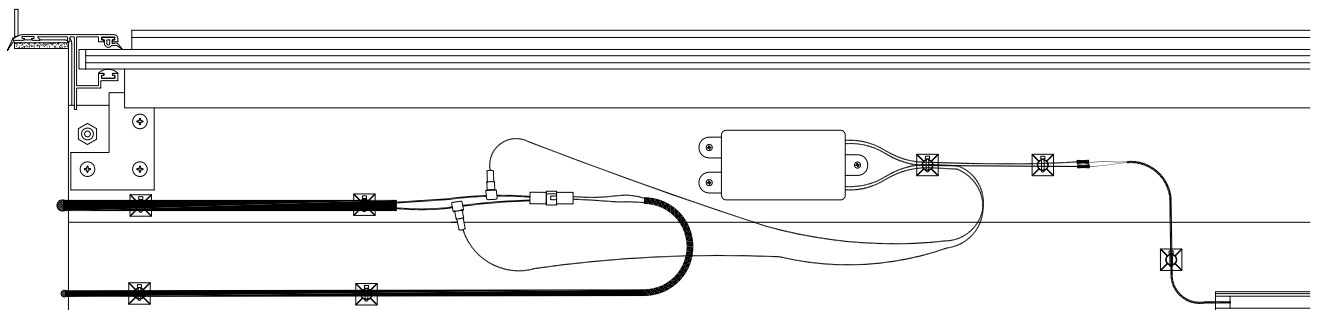
D

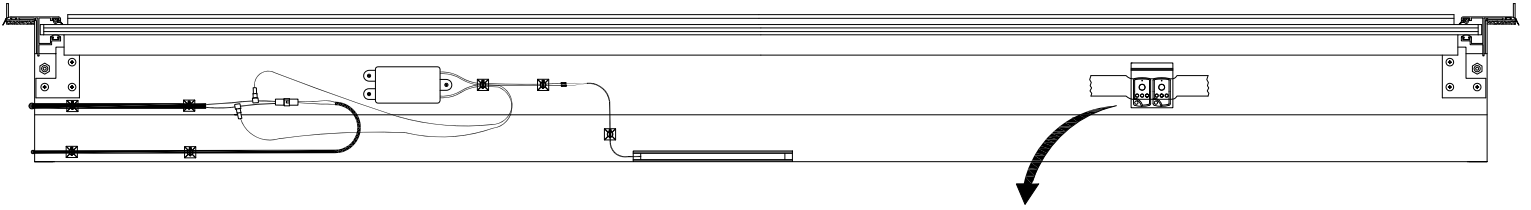
Plug light wire connectors into power wire connectors.



E

Position motor wire tighten zip ties and trim.

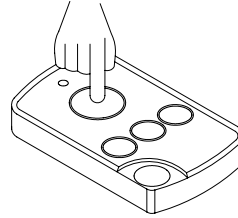




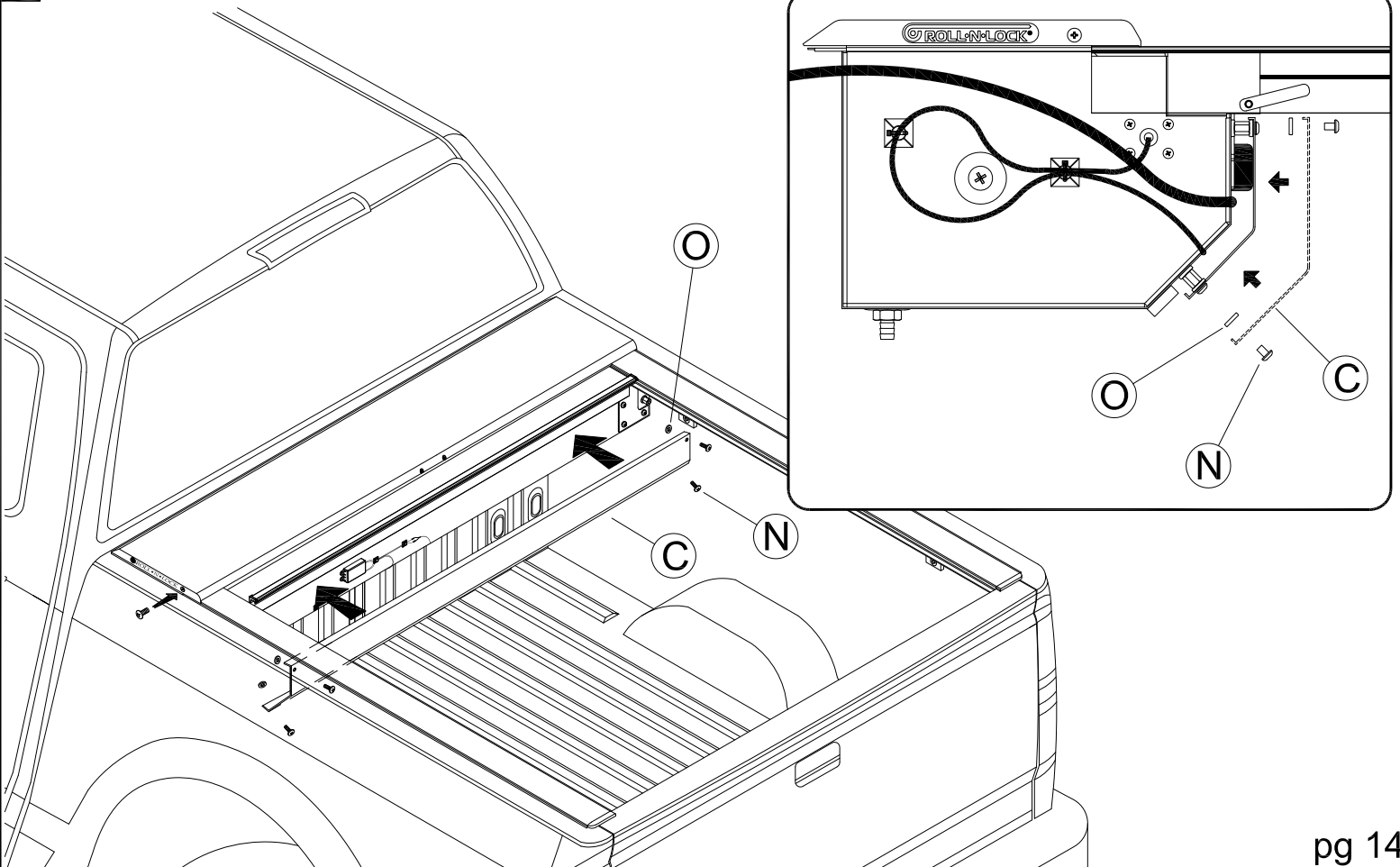
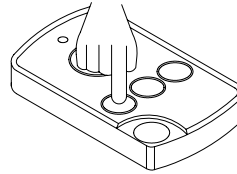
- Remove remotes from housing.

Operating the system:

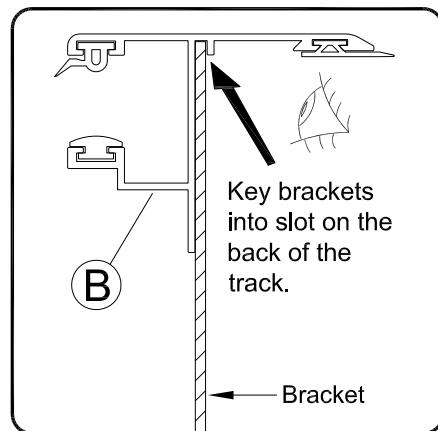
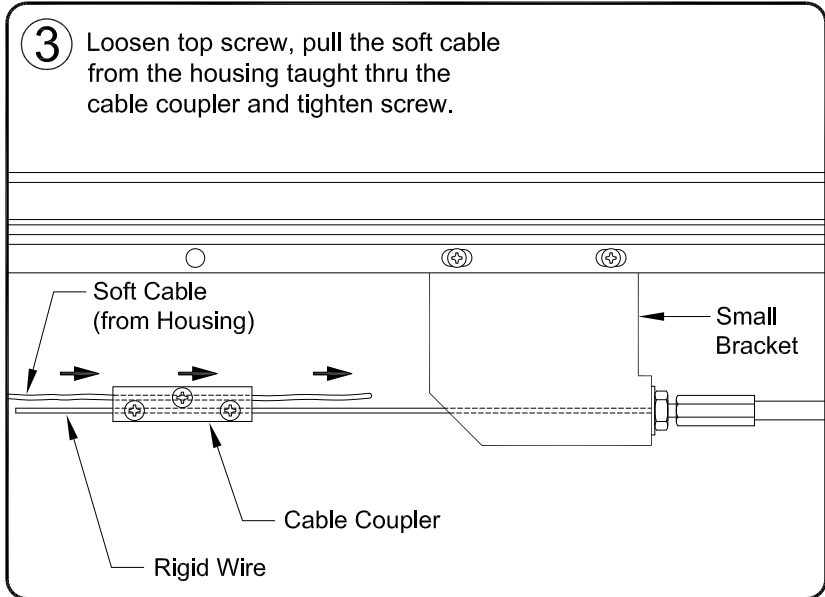
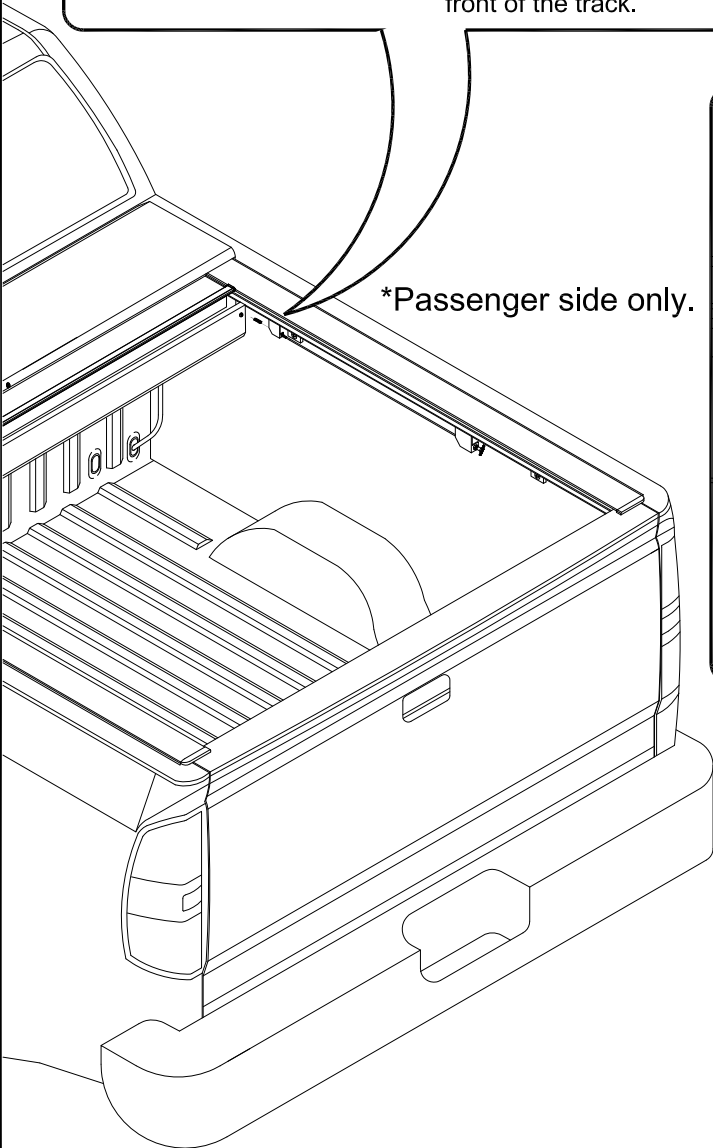
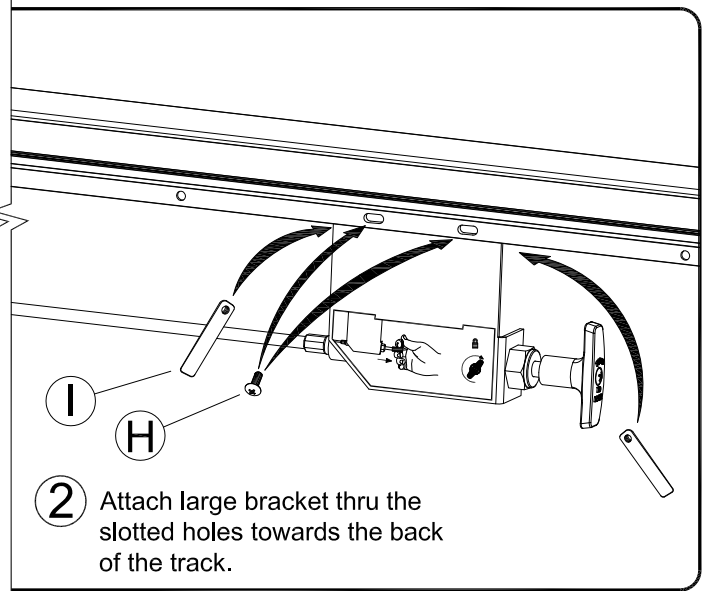
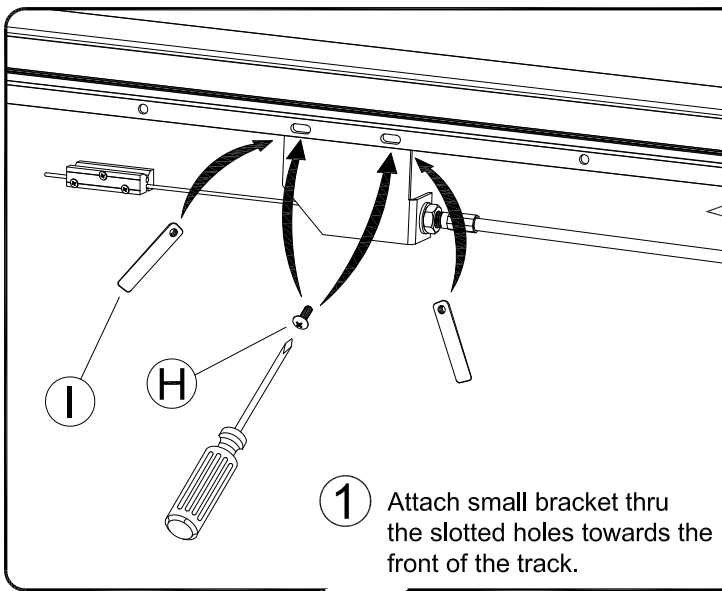
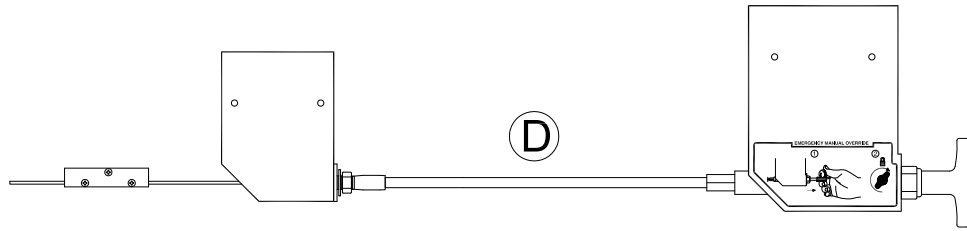
- Push the large button to run cover.
- Push the large button to stop the cover.
- Cover will stop automatically at tailgate and housing.



- Push the small left button to turn light on.
- Push the small left button to turn light off.
- Light will automatically turn off in 3 minutes.

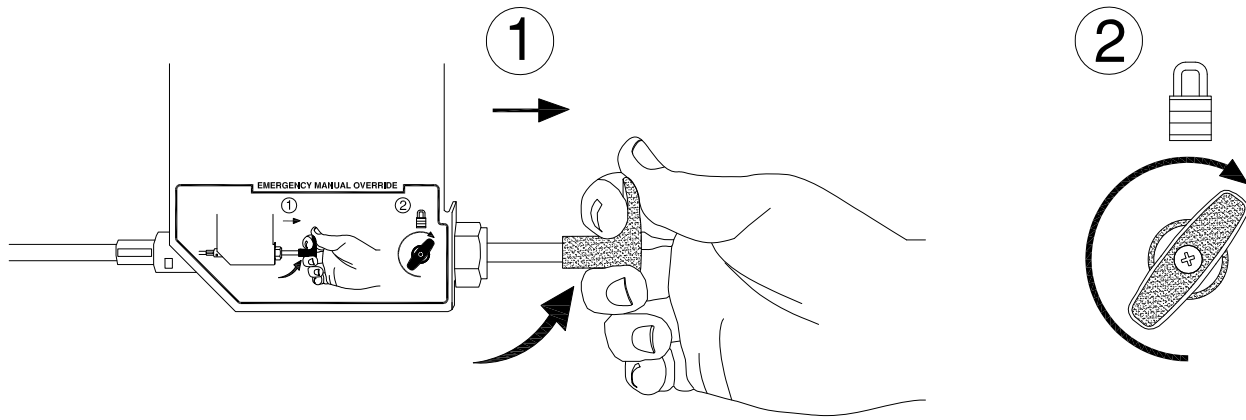


Override Cable



21 Operating the override:

- Use only when the cover is not operating remotely.
- Pull the lever and turn to lock in place, the cover will operate manually.
- Unlock the lever and push back to lock cover.



Any questions please call Roll•N•Lock
Customer Service at 800-952-7655 or rollnlock.com

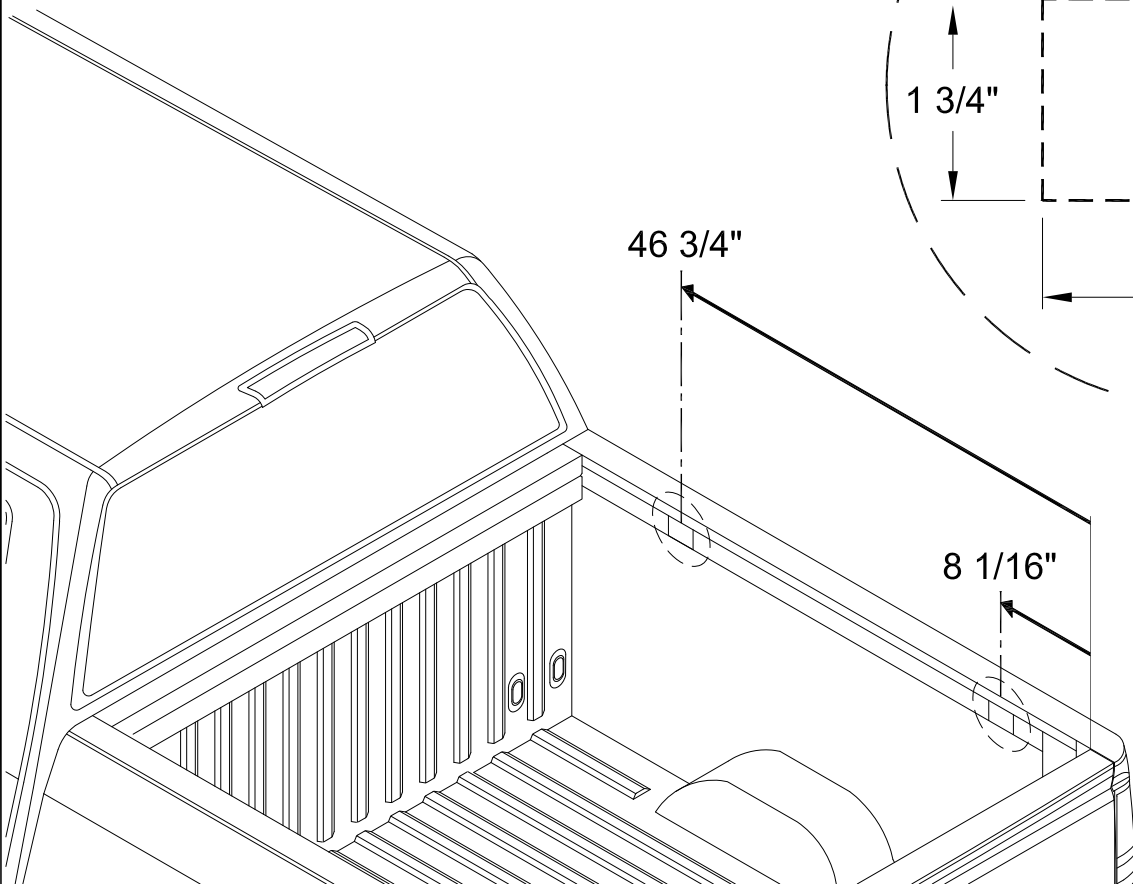
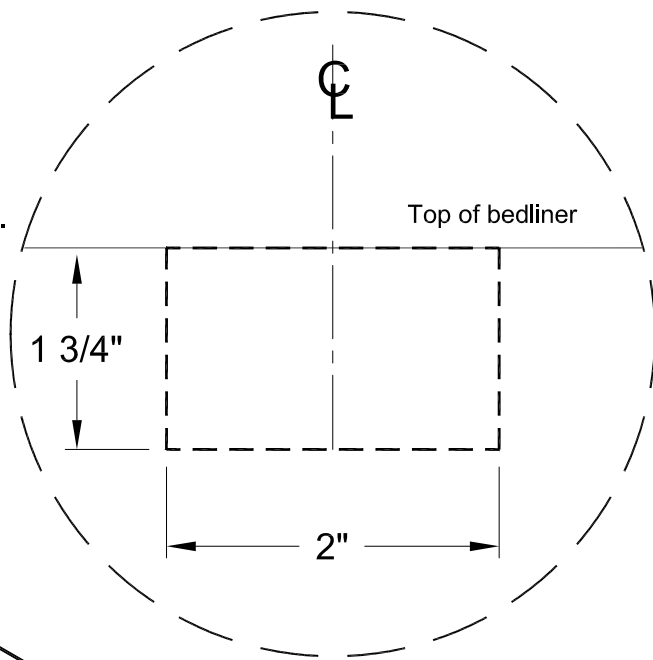
1a

For applications with no "Deck Rail System".

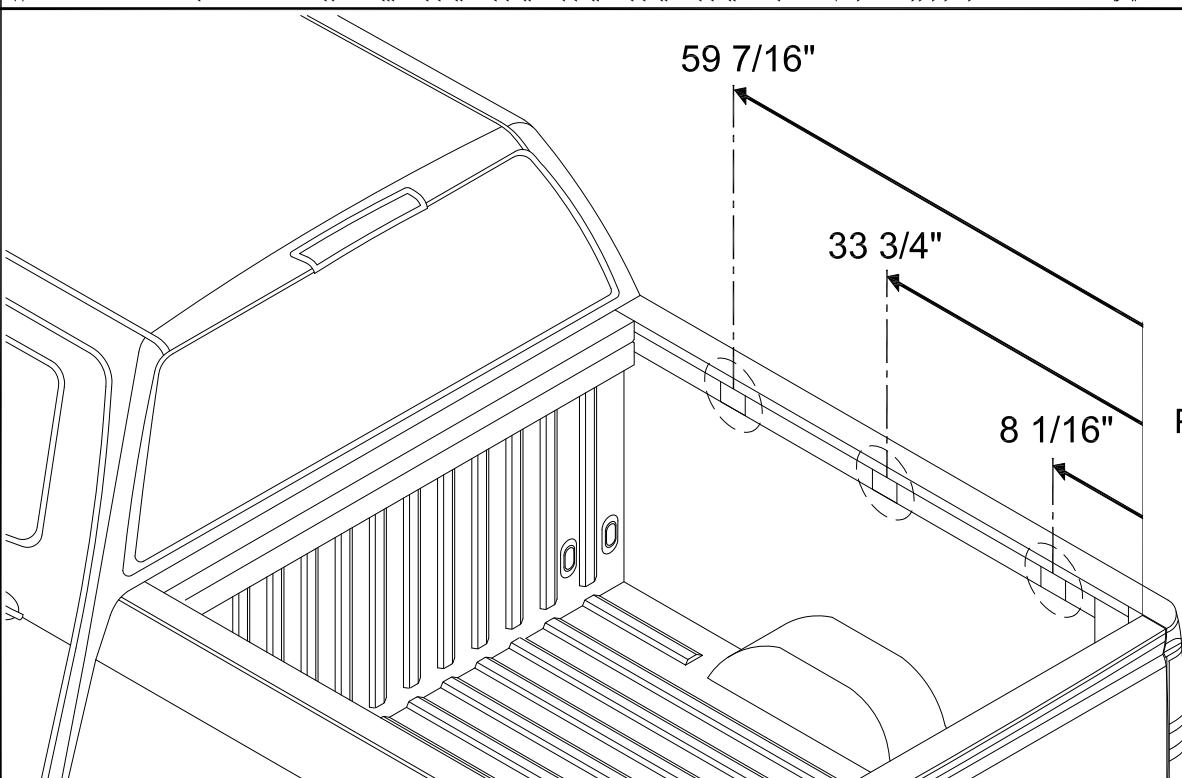
*If no plastic bedliner is present proceed to page 19.

Measure from the inside of the tailgate along the top edge of the bedliner to each measurement provided below for your specific product code. Each mark is the center of 2" x 1 3/4" notches needed on the top edge of the bedliner.

Notch Detail

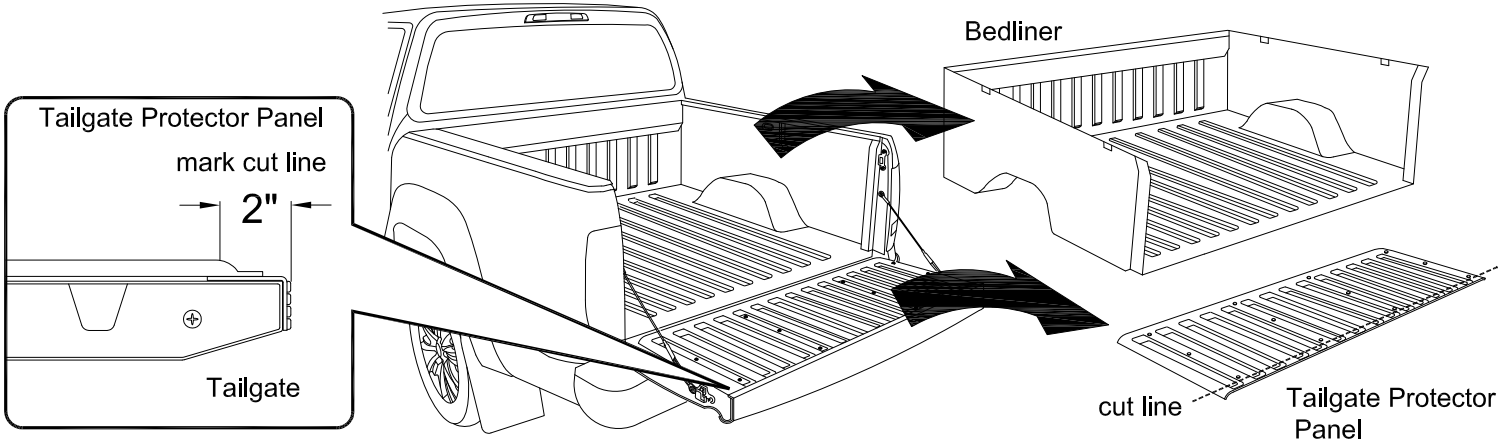


Product code: RC570E

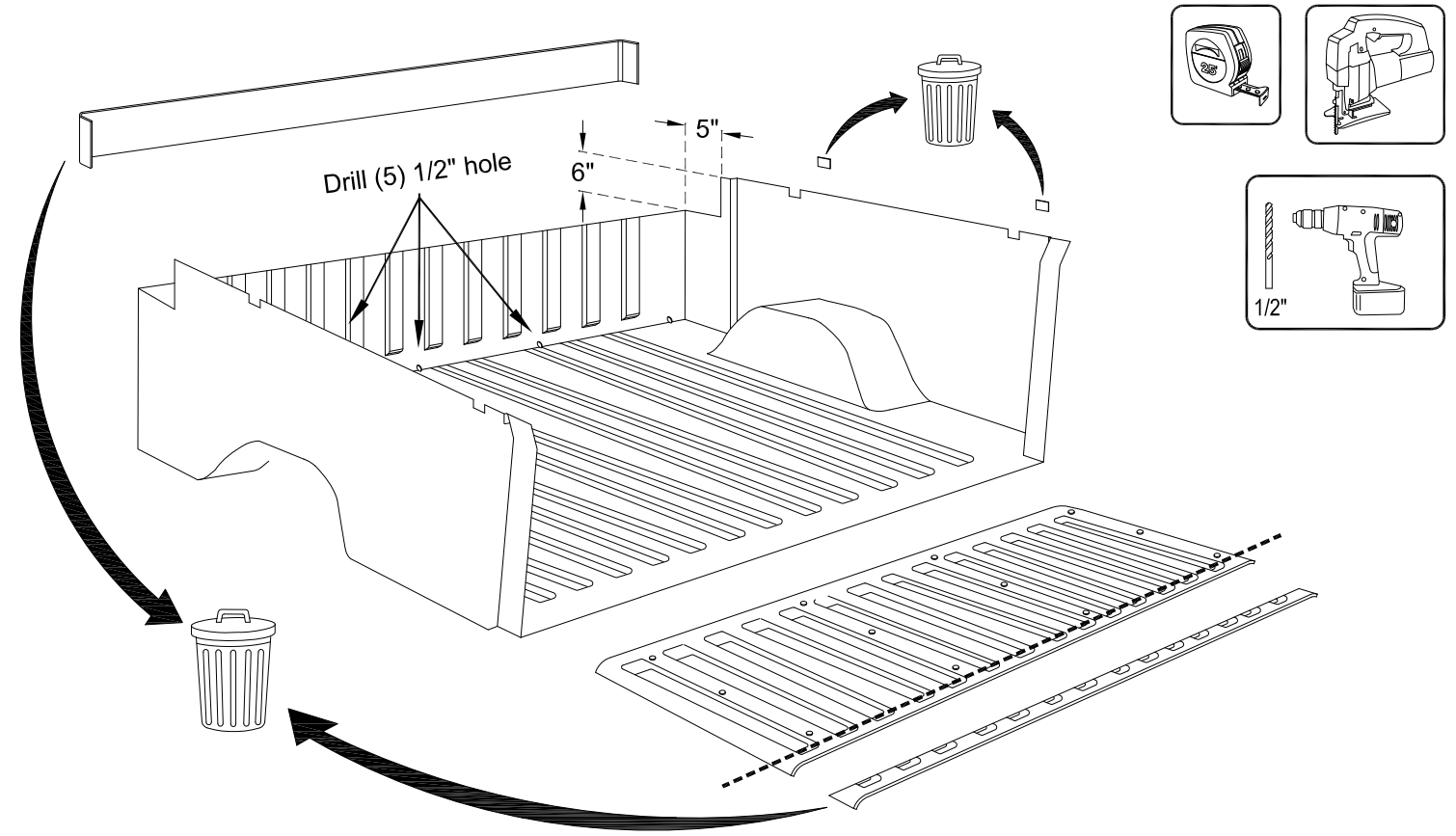


Product code: RC571E

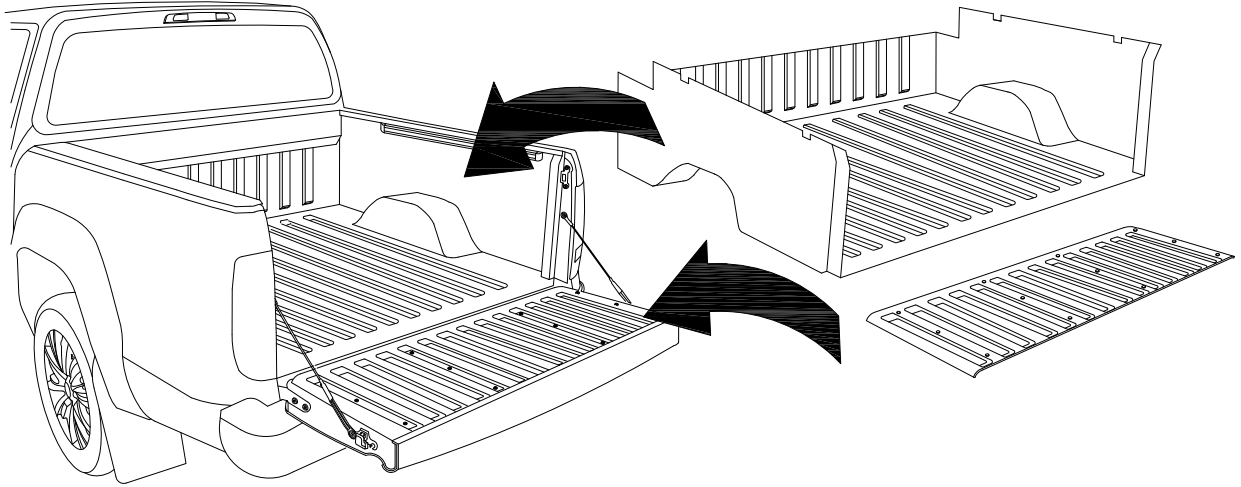
1b



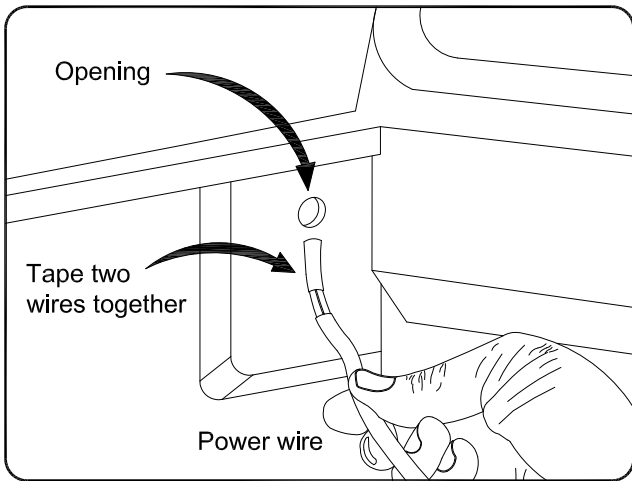
1c



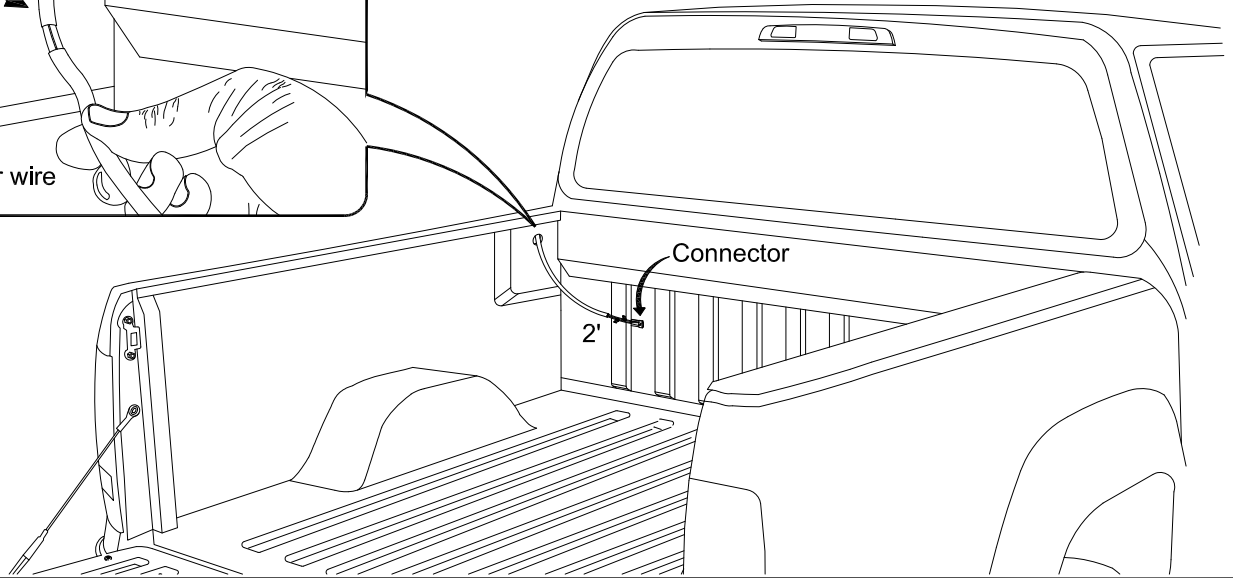
1d



1

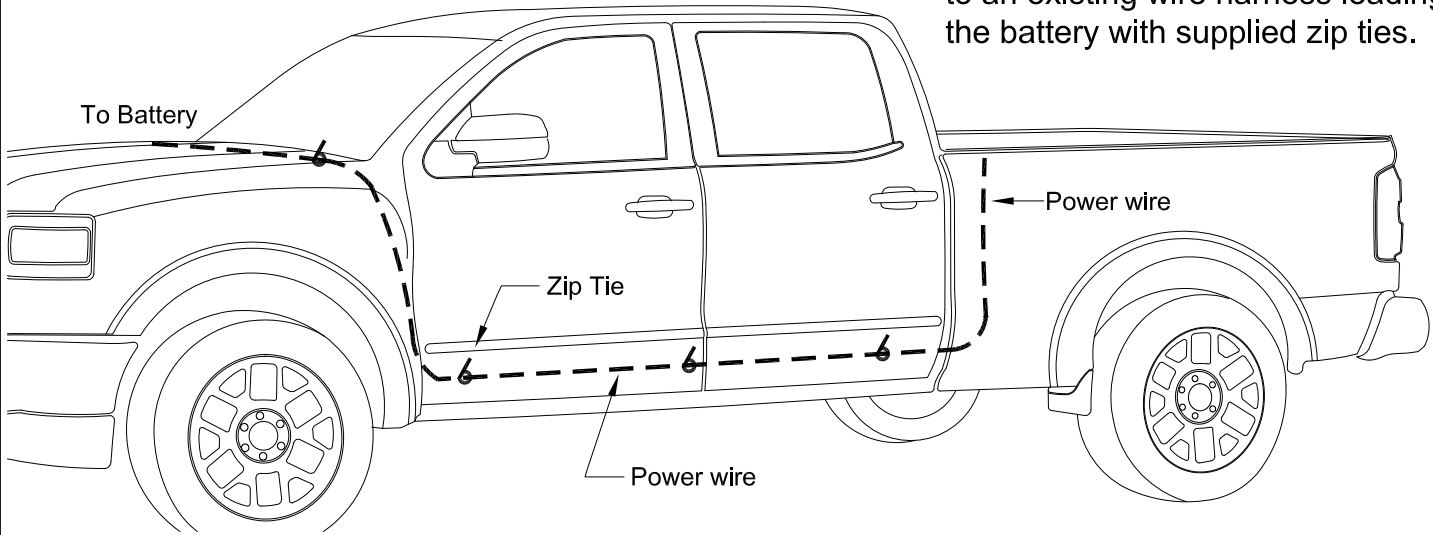


Tape the two wires together on the end of the power wire, feed down through opening on drivers side of truck cap, feed down through the side panel to the ground. Leave 2' of power wire in the truck bed.



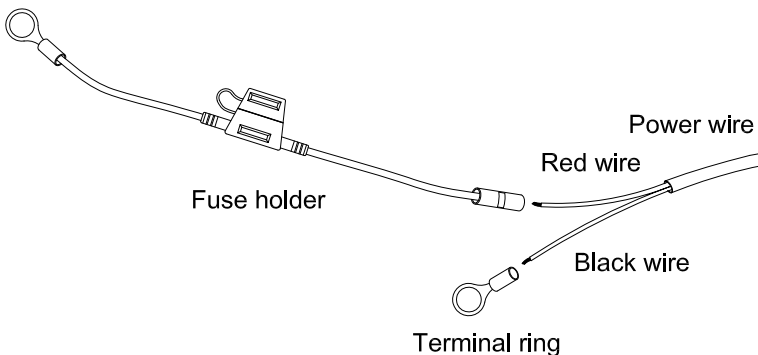
2

Feed power wire under the truck securing to an existing wire harness leading to the battery with supplied zip ties.

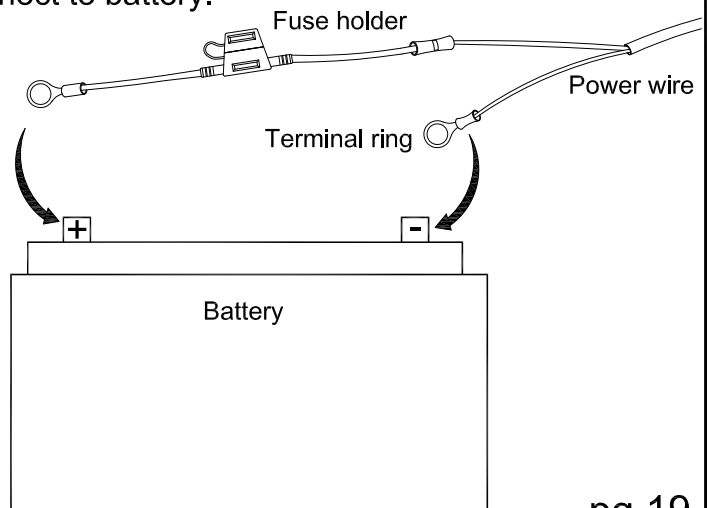


3

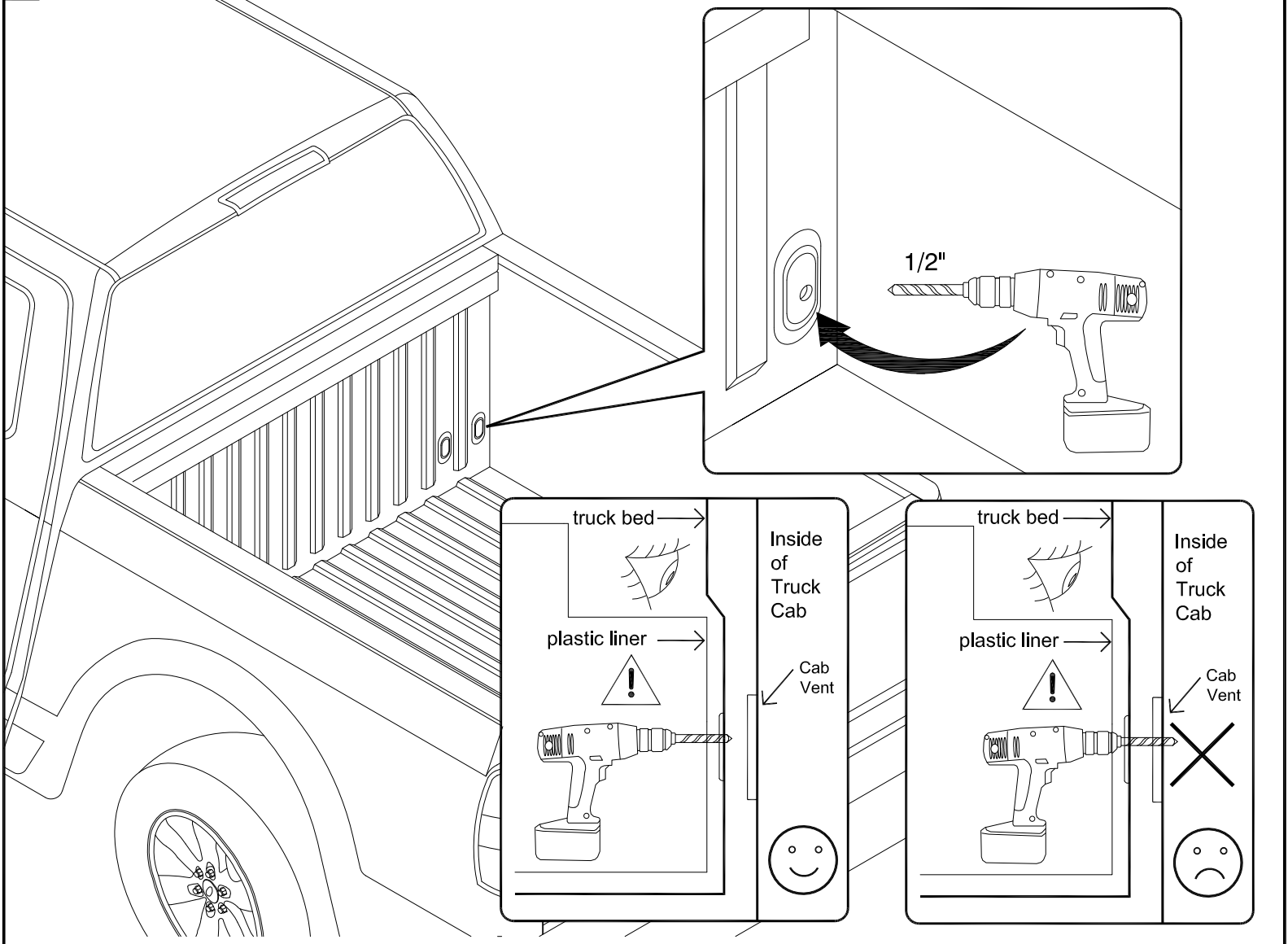
Crimp the fuse holder to the RED wire and the terminal ring to the Black wire.



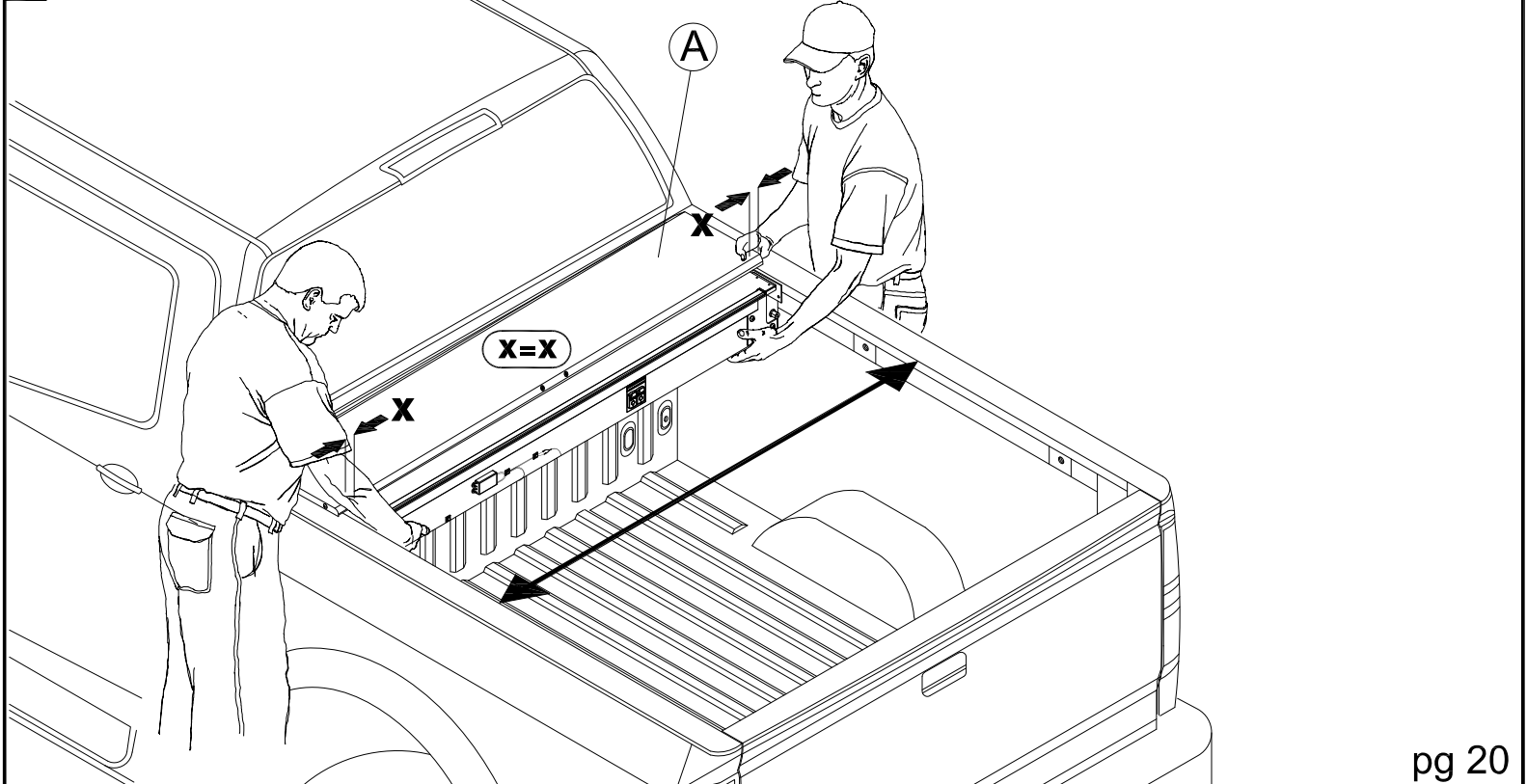
Connect to battery.



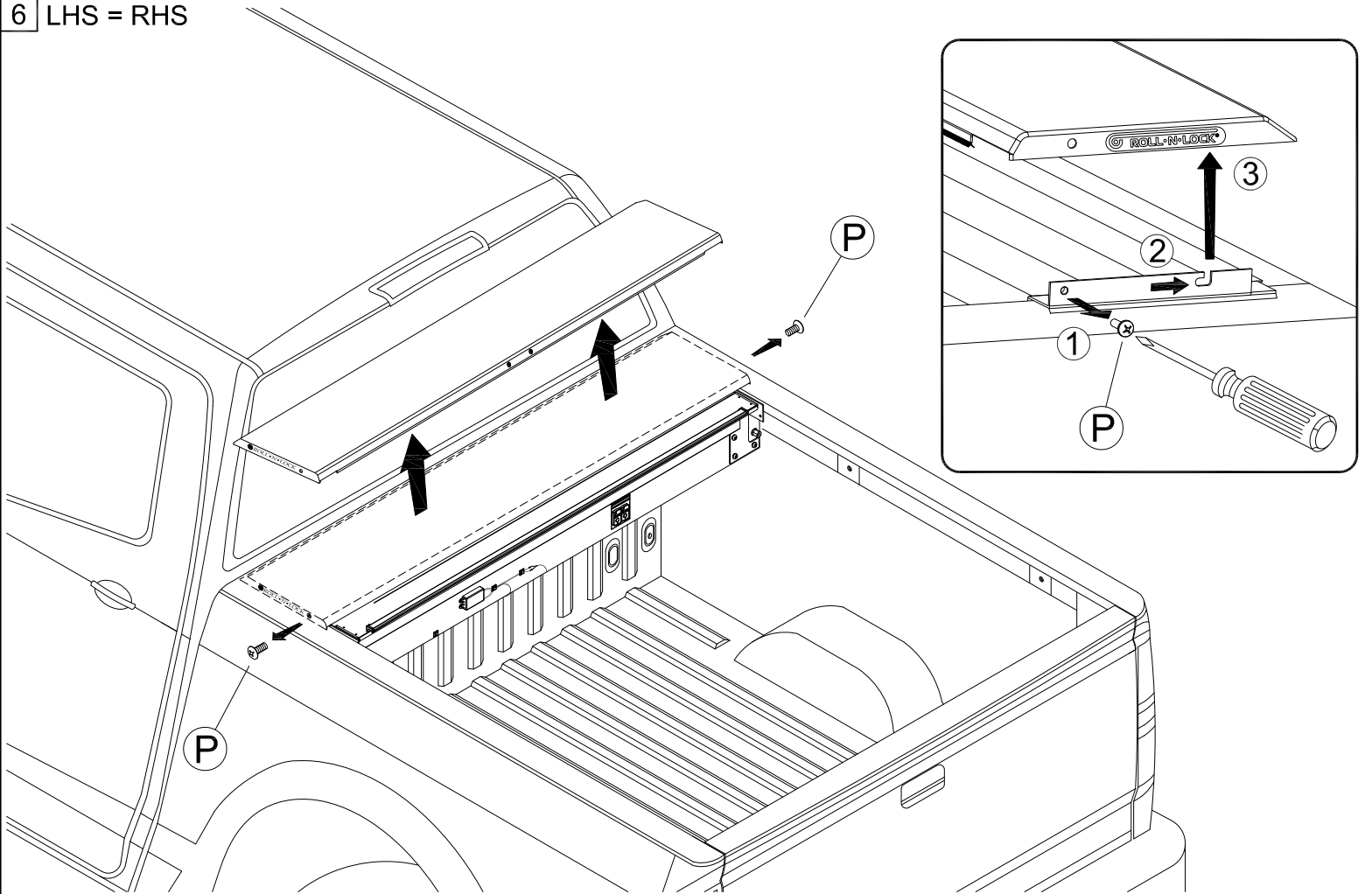
4 LHS = RHS



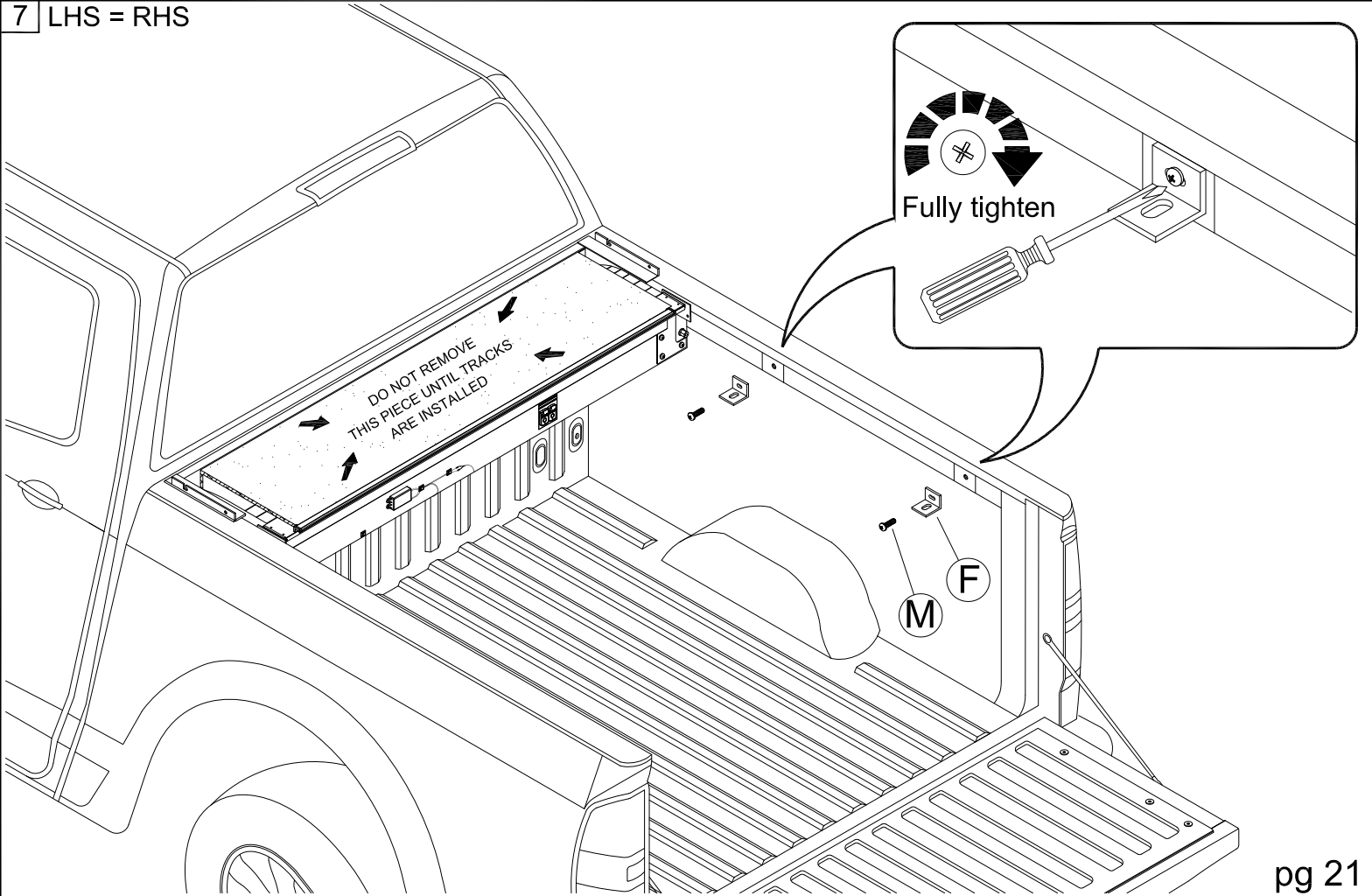
5



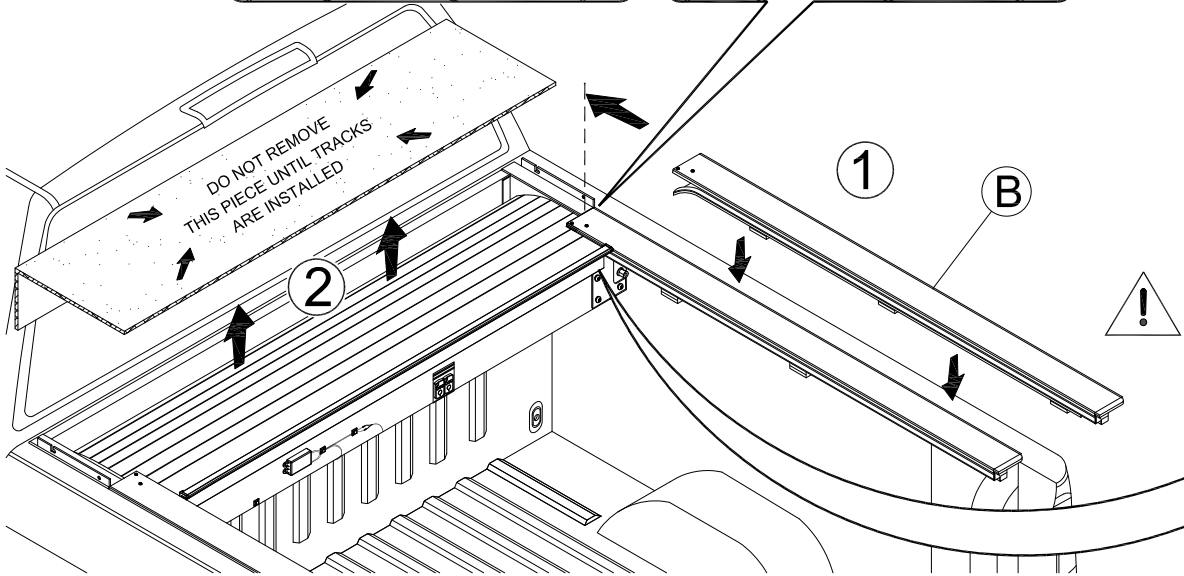
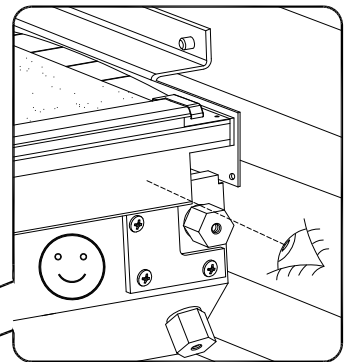
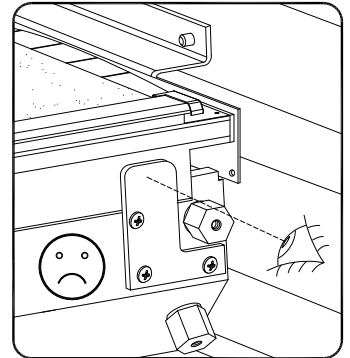
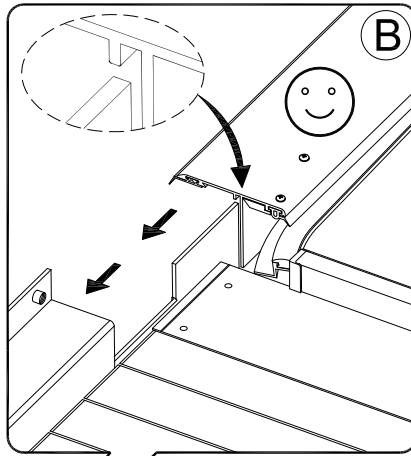
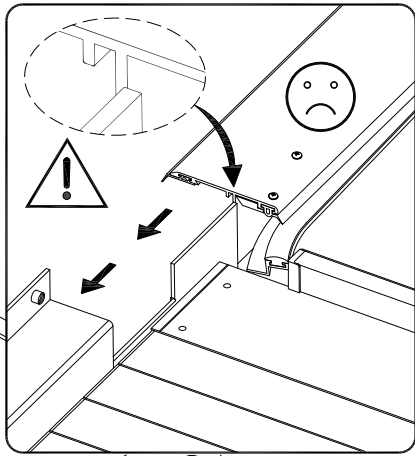
6 LHS = RHS



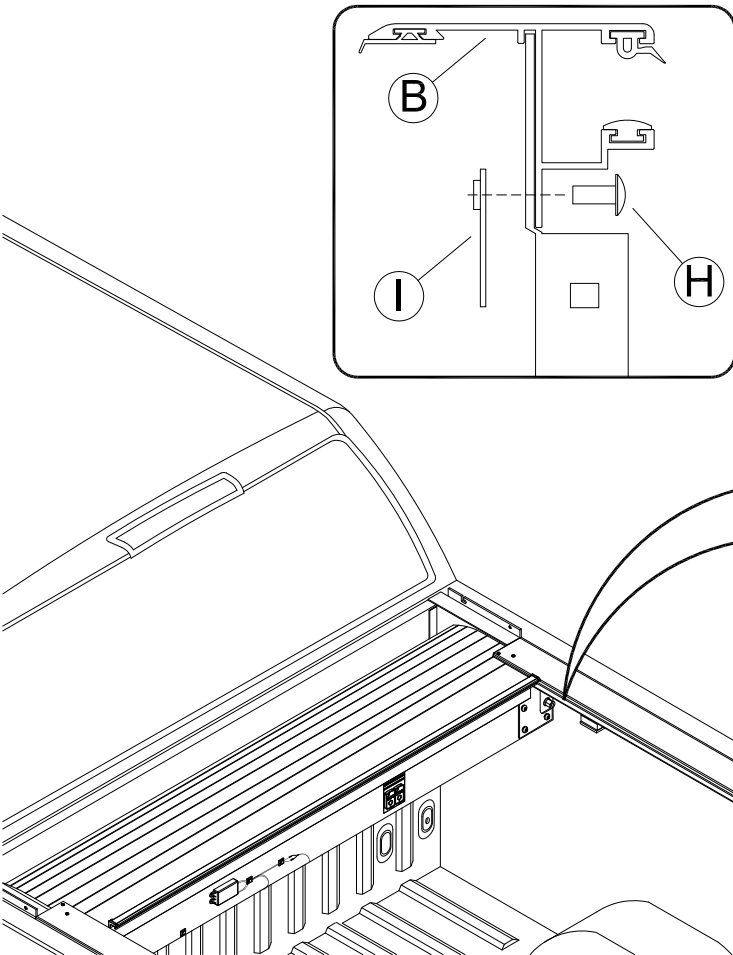
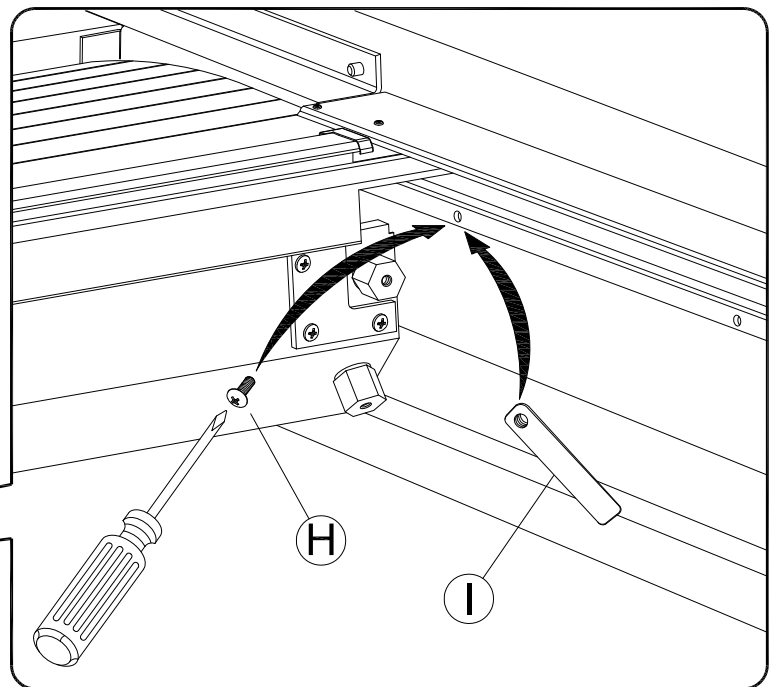
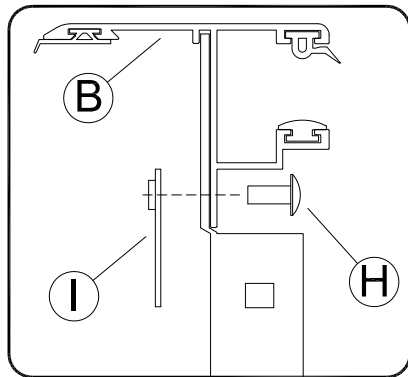
7 LHS = RHS

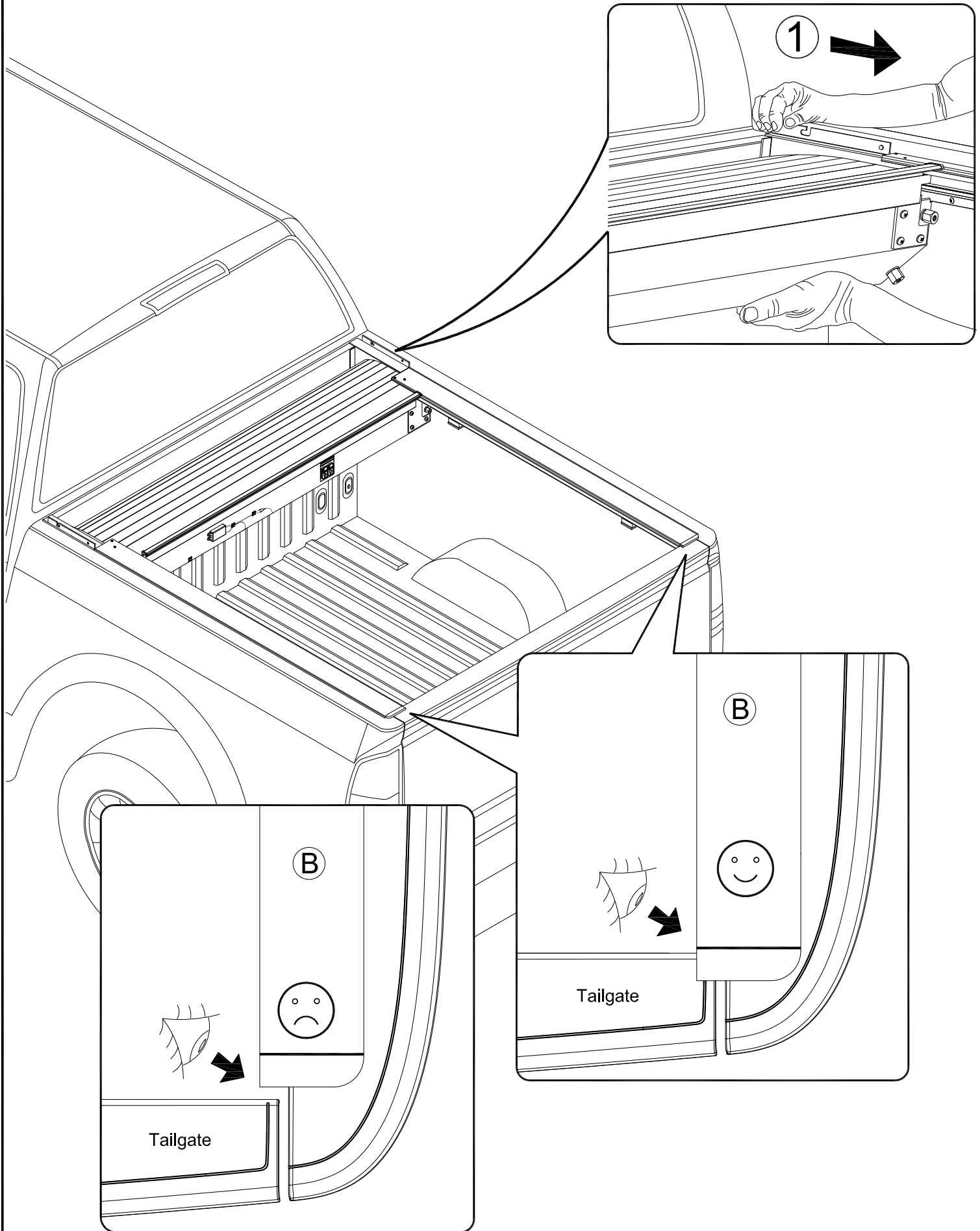


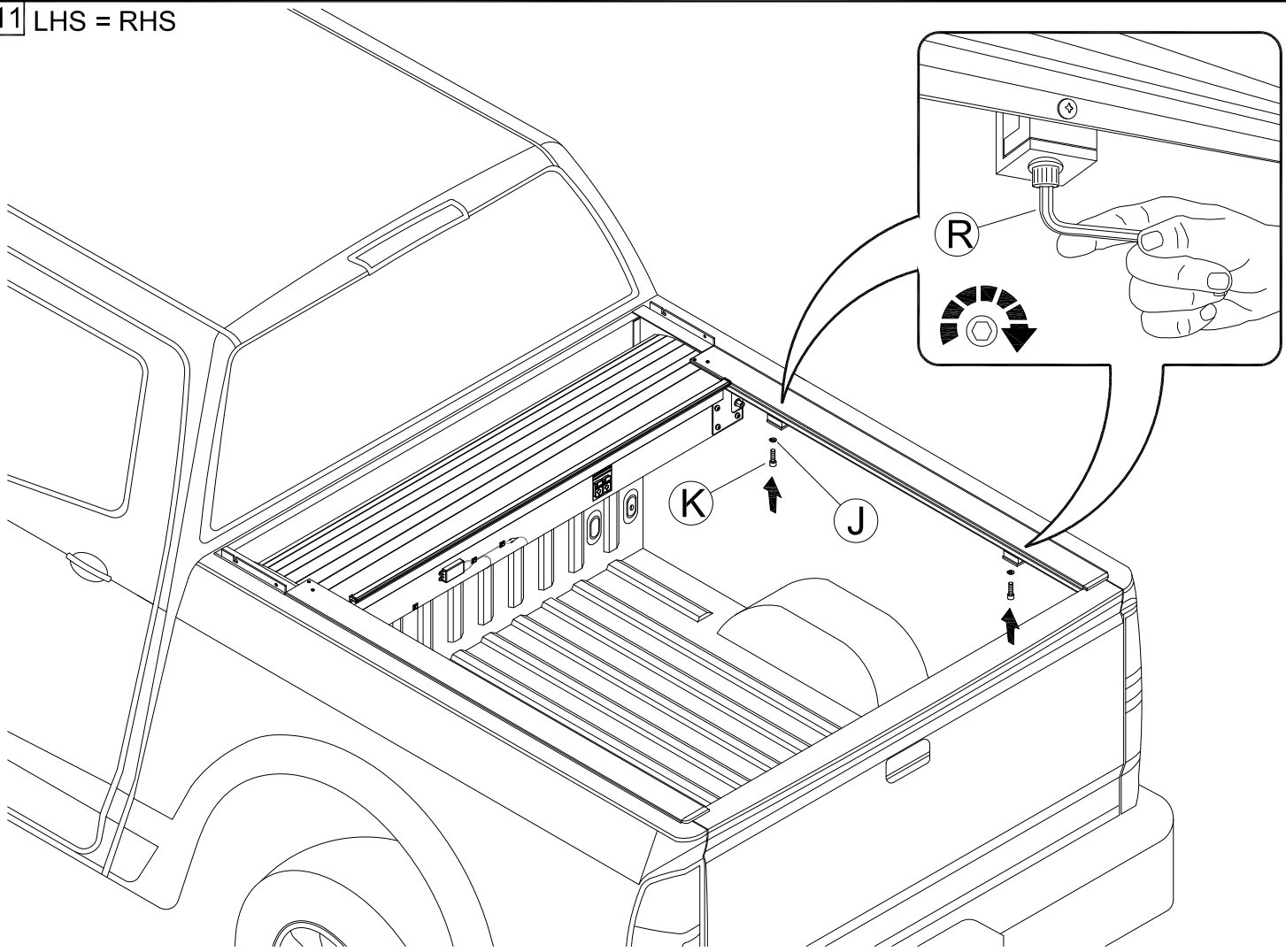
8 LHS = RHS



9 LHS = RHS

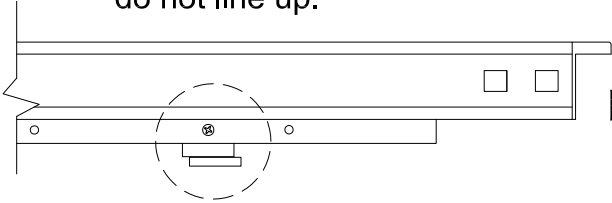




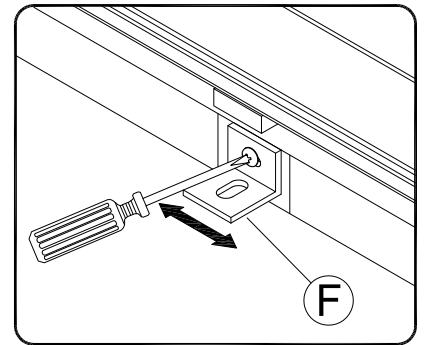


Trouble Shooting

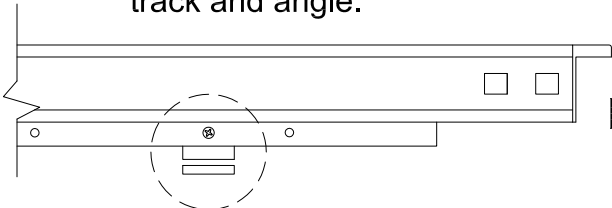
Angle and track clamp do not line up.



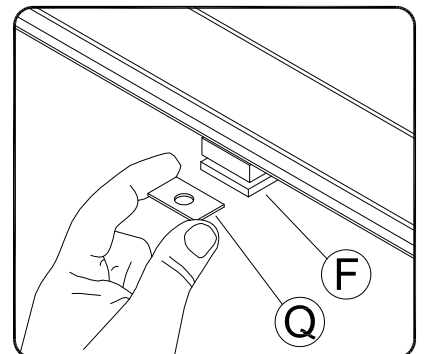
Lift track and shift angle to line up with track clamp.



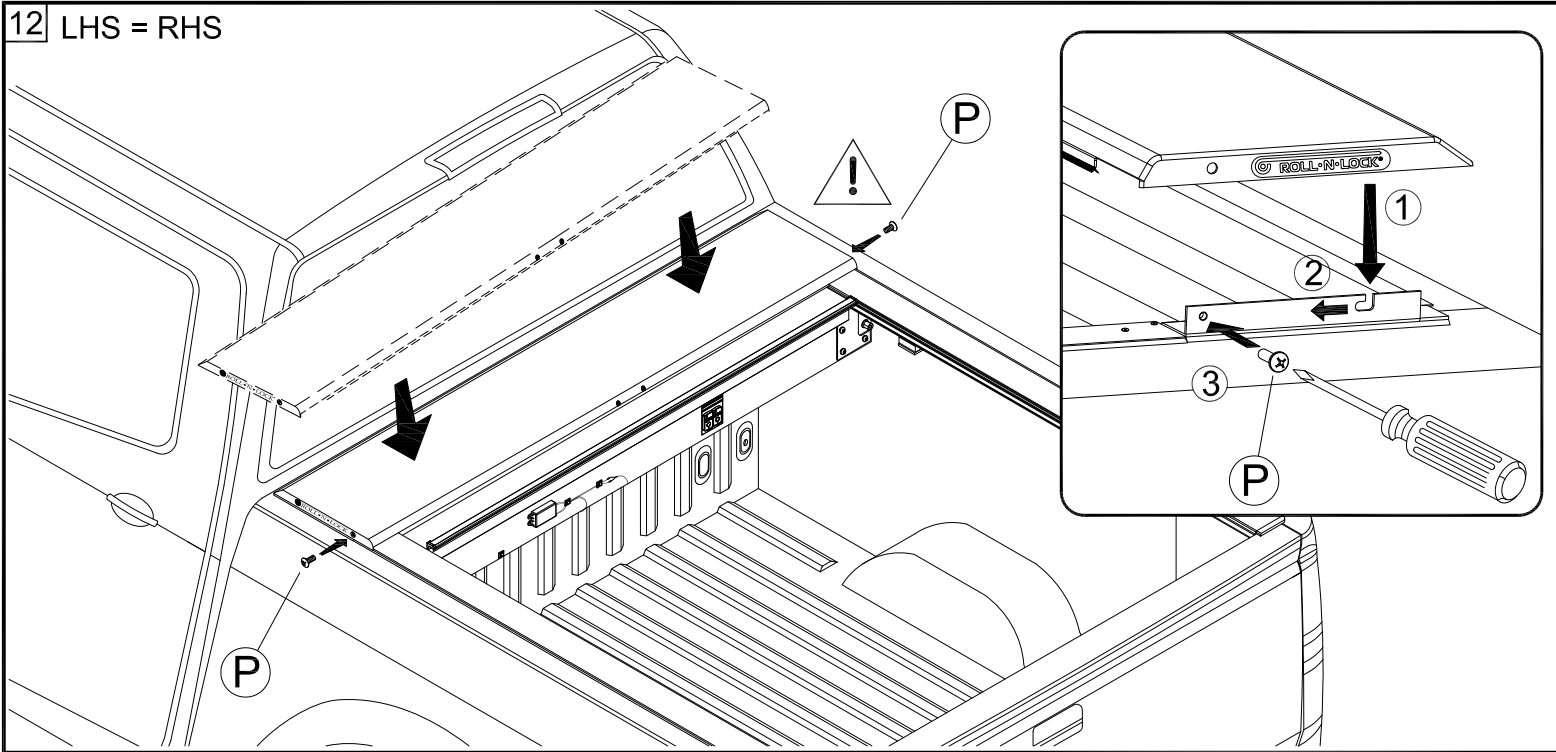
Space between track and angle.



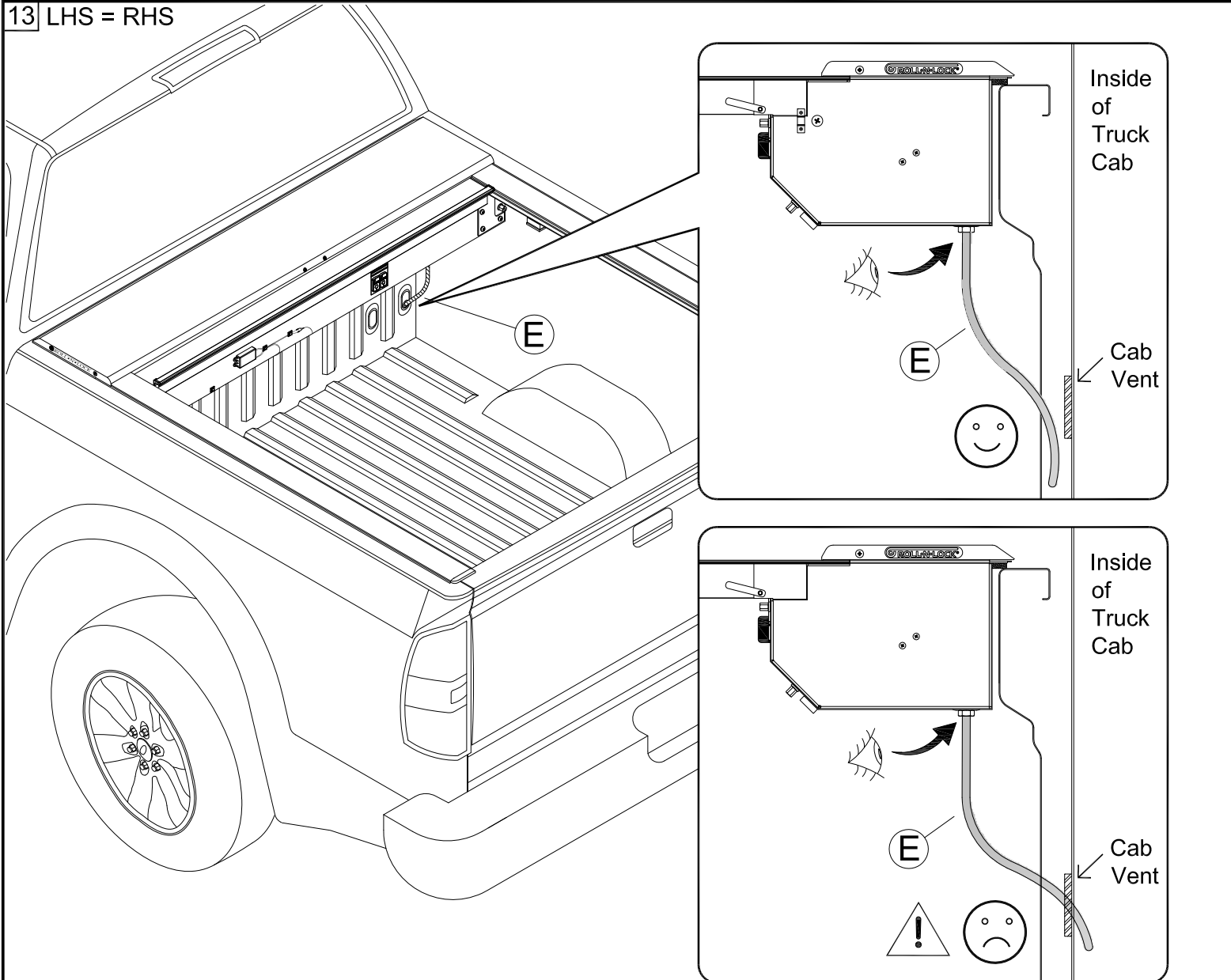
Add supplied shim between angle and track.



12 LHS = RHS



13 LHS = RHS

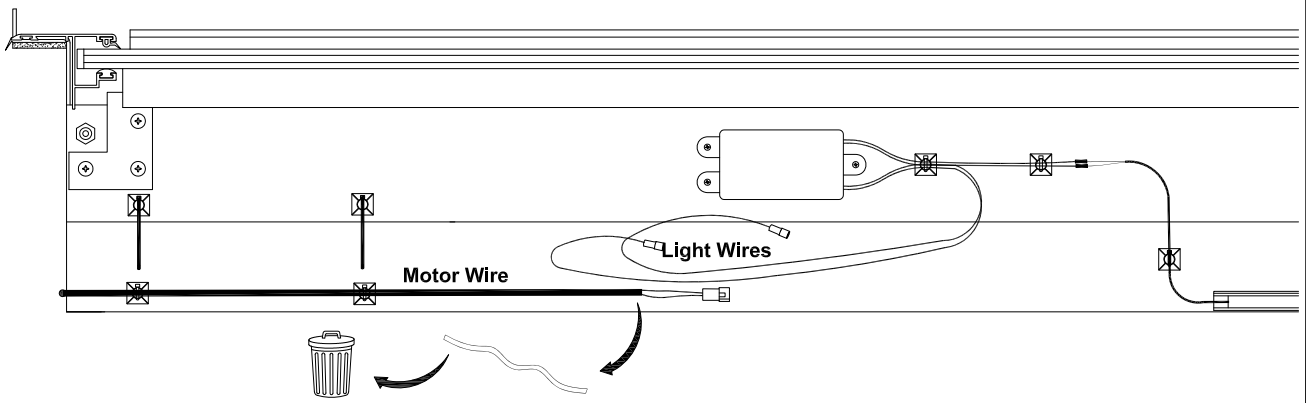


14

Powering the unit:

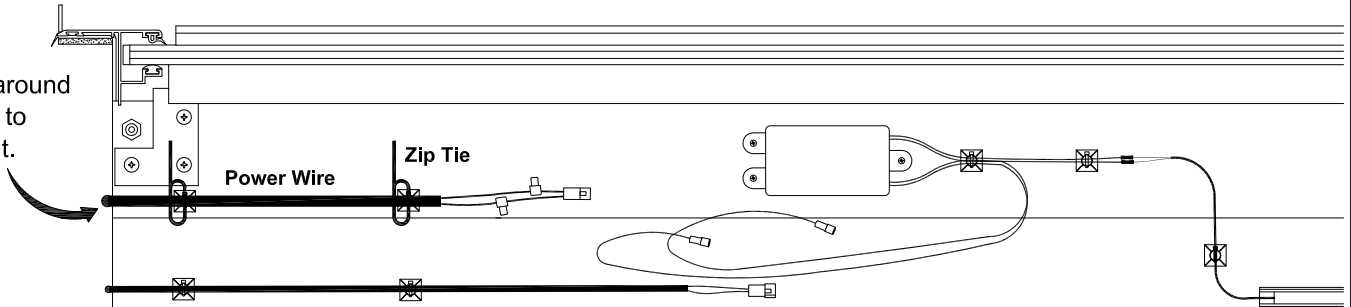
A

Unwrap light wires from motor wire.



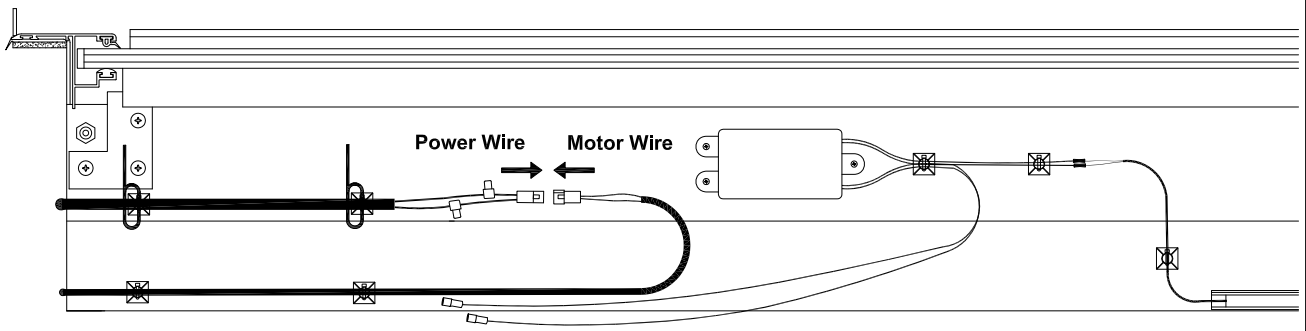
B

Bring power wire around and loosely zip tie to the front of the unit.



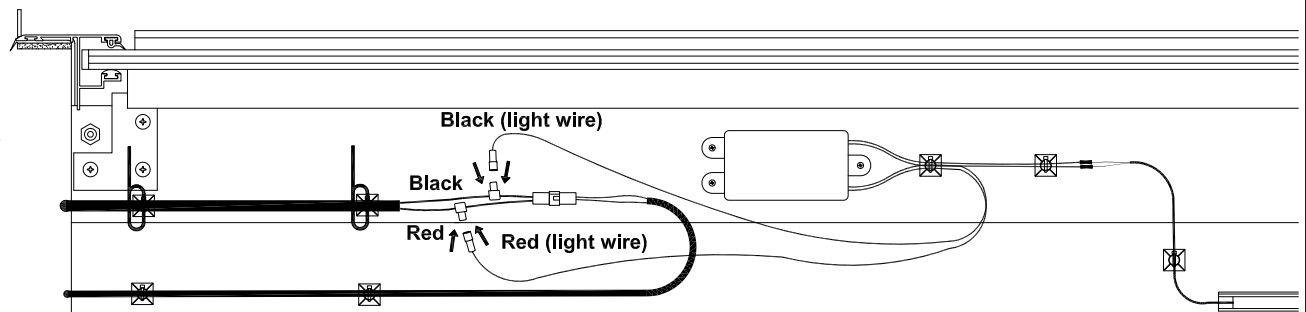
C

Plug motor wire connector into power wire connector.



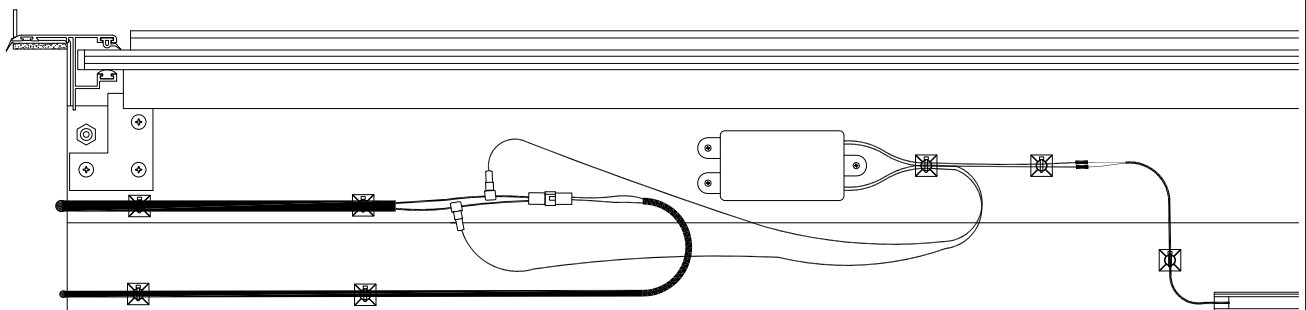
D

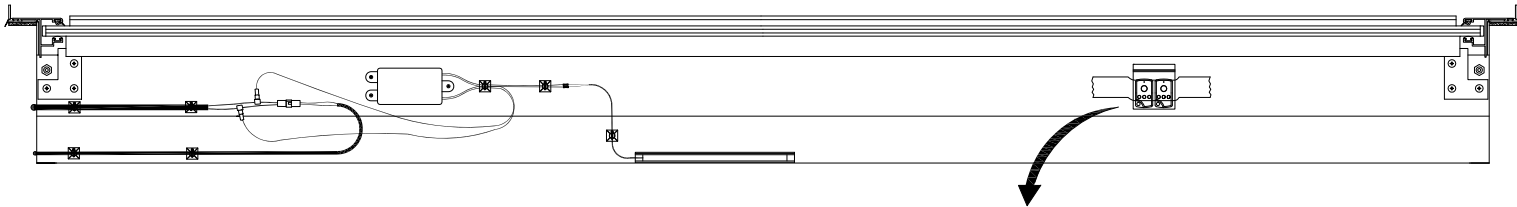
Plug light wire connectors into power wire connectors.



E

Position motor wire tighten zip ties and trim.

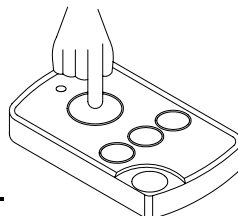




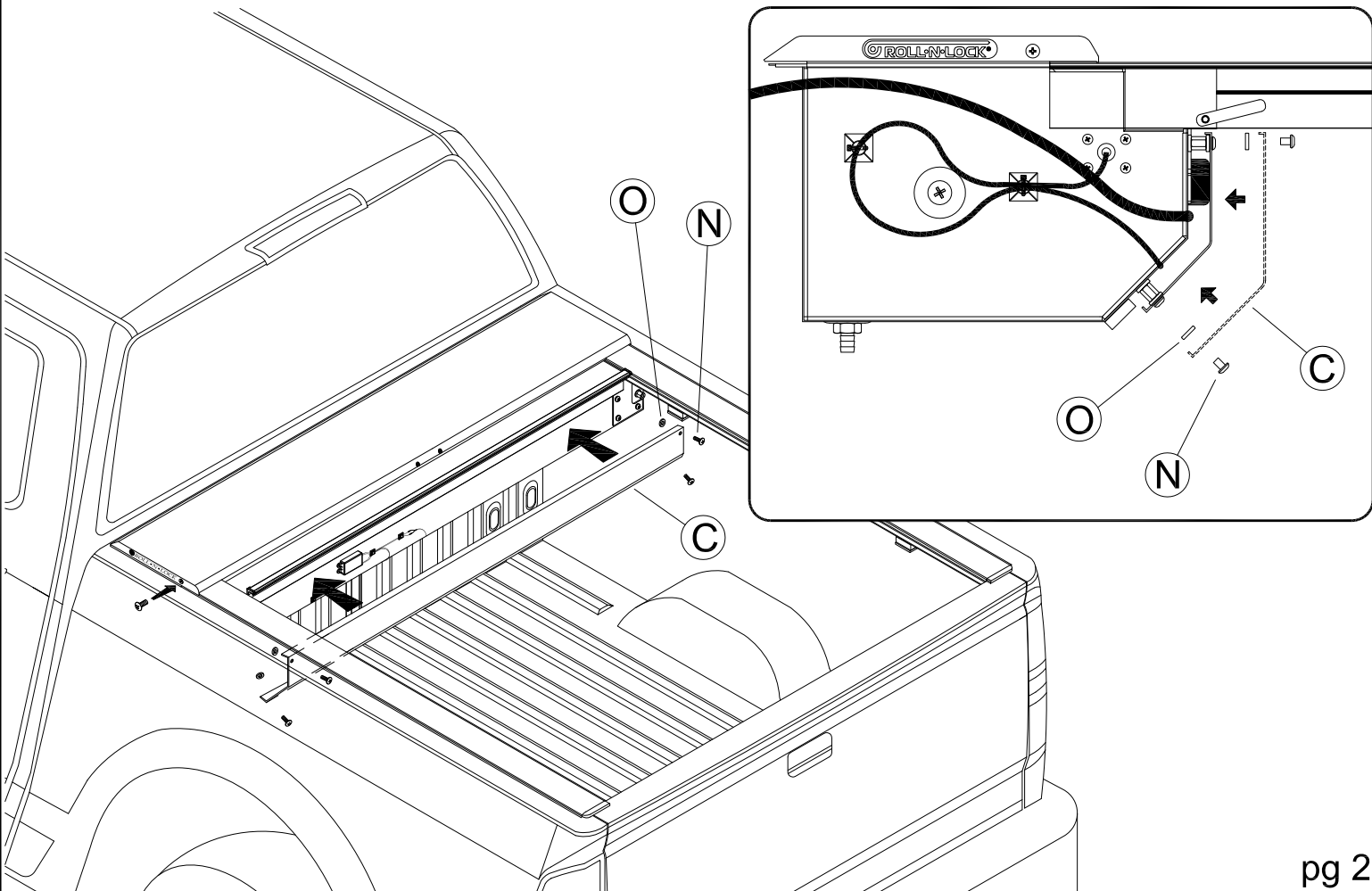
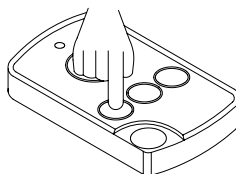
- Remove remotes from housing.

Operating the system:

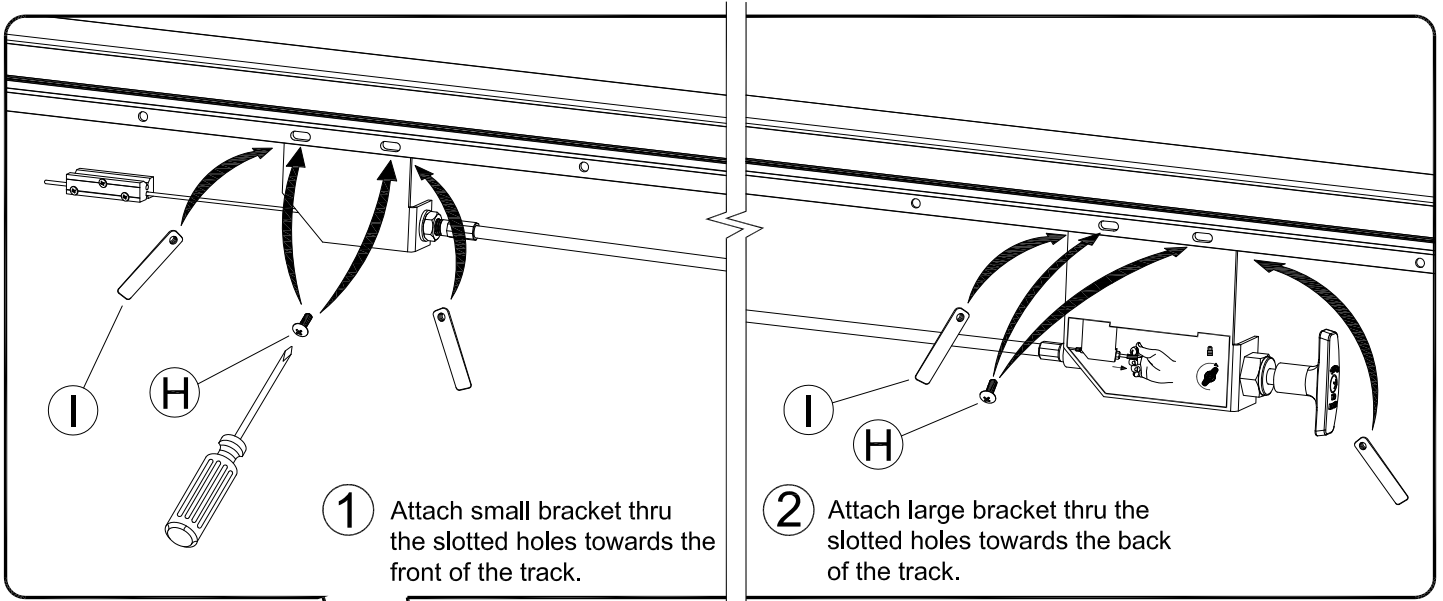
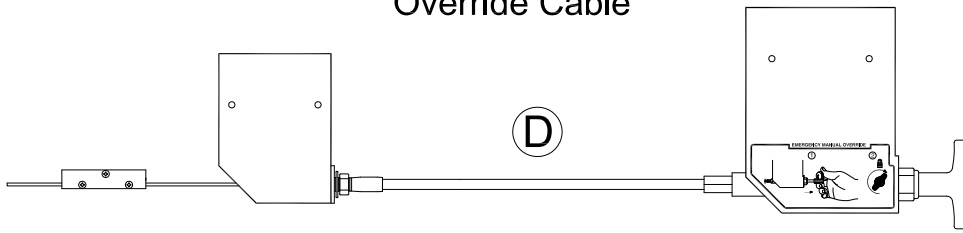
- Push the large button to run cover.
- Push the large button to stop the cover.
- Cover will stop automatically at tailgate and housing.



- Push the small left button to turn light on.
- Push the small left button to turn light off.
- Light will automatically turn off in 3 minutes.

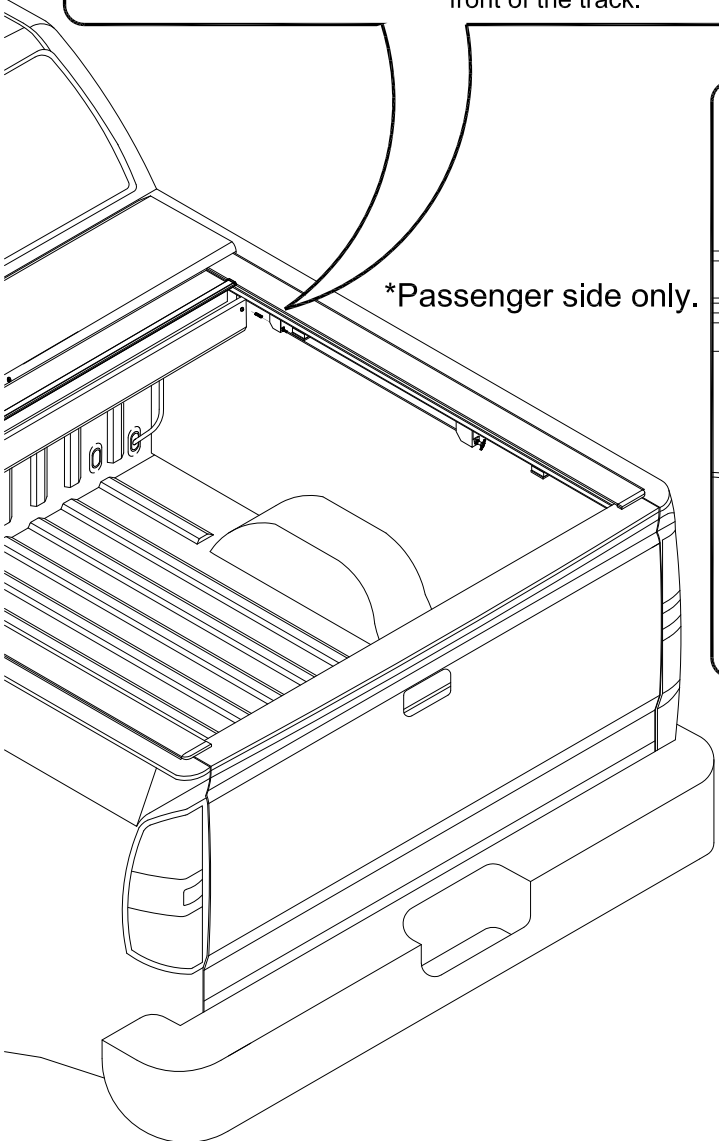


Override Cable

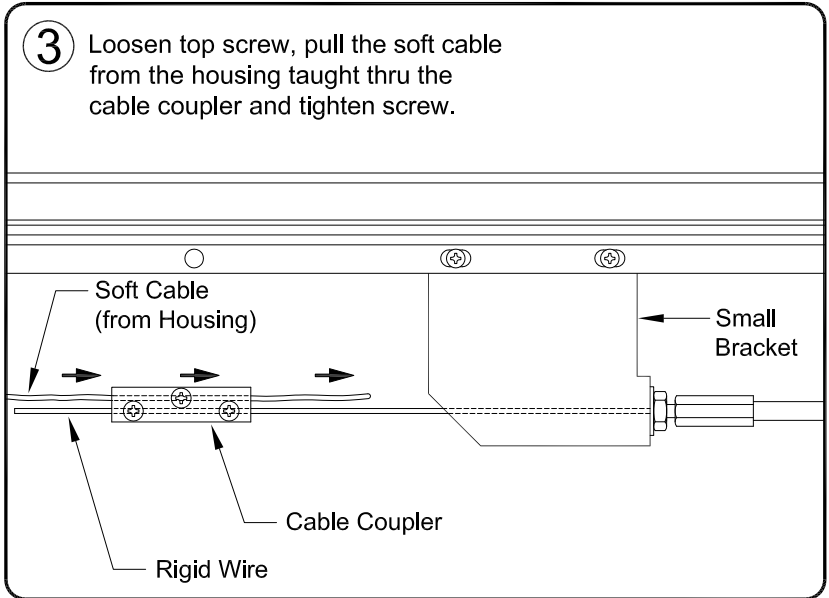


1 Attach small bracket thru the slotted holes towards the front of the track.

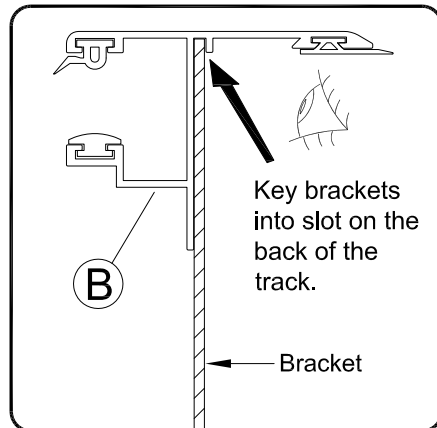
2 Attach large bracket thru the slotted holes towards the back of the track.



*Passenger side only.

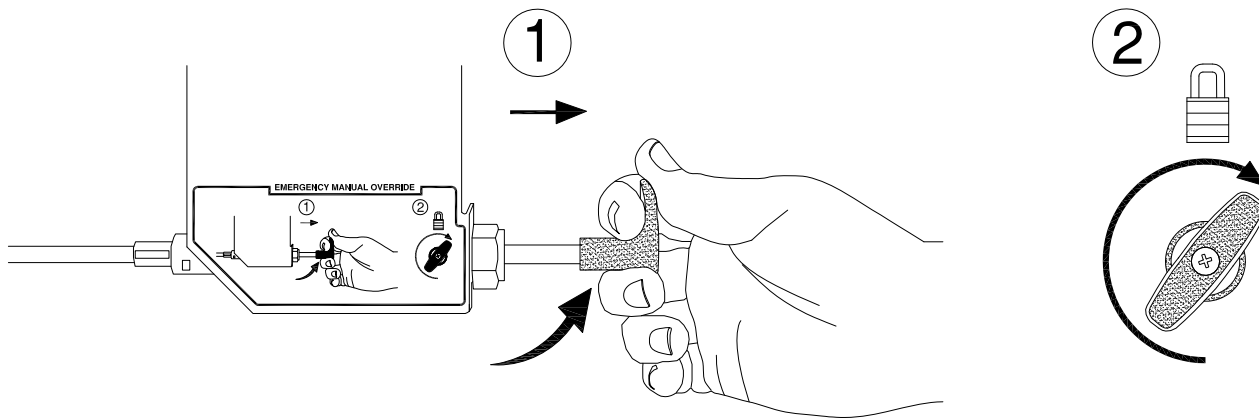


3 Loosen top screw, pull the soft cable from the housing, taught thru the cable coupler and tighten screw.



Operating the override:

- Use only when the cover is not operating remotely.
- Pull the lever and turn to lock in place, the cover will operate manually.
- Unlock the lever and push back to lock cover.



ROLL•N•LOCK®

Any questions please call Roll•N•Lock
Customer Service at 800-952-7655 or rollnlock.com