



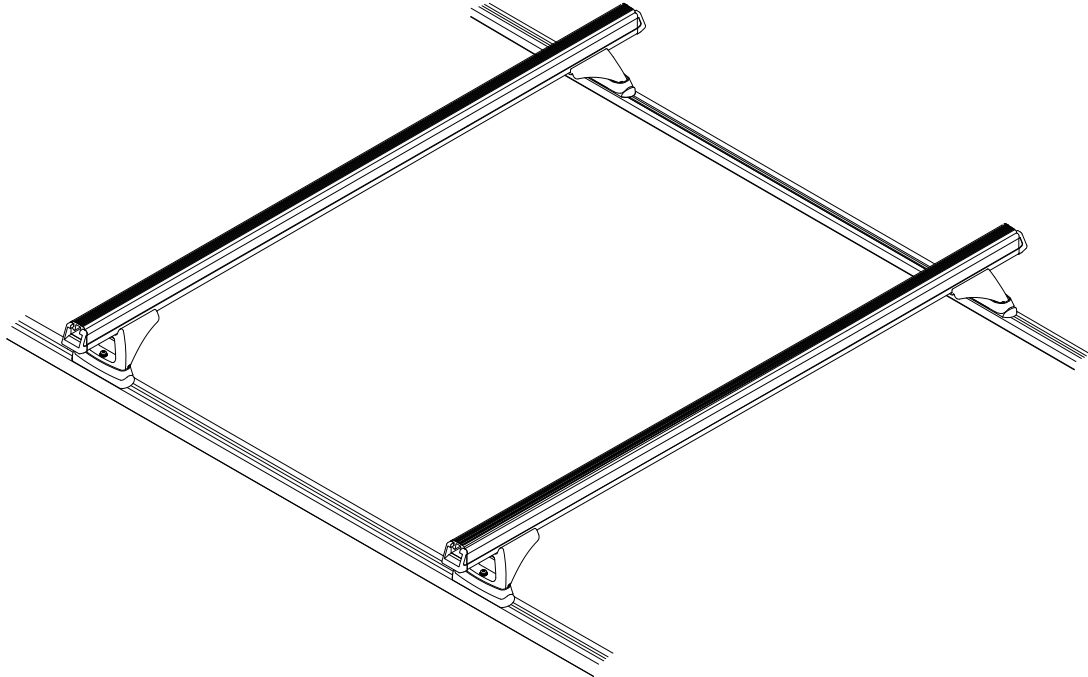
RHINO-RACK

Aerodynamic & Heavy Duty Roof Rack Systems

Y01-120-NT - To suit Thule / Yakima Tracks (54" Cross Bars)

Y01-130-NT - To suit Thule / Yakima Tracks (59" Cross Bars)

Important: Please read these instructions carefully prior to installation.
Please refer to your fitting instruction to ensure that the roof racks are installed in the correct locations.
Check the contents of kit before commencing fitment and report any discrepancies.
Place these instructions in the vehicle's glove box after installation is complete.



Care Instruction: Clean tracks prior to installation of the Track leg kit.

Important Information

Maximum carrying capacity: Refer Manufacturer's Recommendation

It is essential that all bolt connections be checked after driving a short distance when cross bars are first installed. Bolt connections should be checked again at regular intervals (probably once a week is enough, depending on road conditions, usage, loads and distances travelled). You should also check the cross bars each time they are re-fitted. Make sure to fasten your load securely. Ensure all loads are evenly distributed and that the centre of gravity is kept as low as possible.

Use only non-stretch fastening ropes or straps.

Sensitivity to cross winds, behaviour in curves and braking.

The handling characteristics of the vehicle, changes when you transport a load on the roof. For safety reasons, we recommend you exercise extreme care when transporting wind-resisting loads; special consideration must be taken into account when braking.

Please remove cross bars & legs when putting vehicle through an automatic car wash.

Load ratings:

Maximum permissible load is as per manufacturer's recommendation (include the weight of the cross bars and legs, 5 kg / 11 lbs). When cross bars are to be used in off-road conditions, please build a safety factor of 1.5 into this load limit for off-road use. Although the cross bars are tested and approved to AS1235-2000, some road conditions can be much more rigorous. However, increasing the number of cross bars does not increase the vehicle's maximum permissible roof loading.

Note for Dealers and Fitters:

It is your responsibility to ensure instructions are given to the end user or client.

Rhino-Rack USA LLC
7025 S Fulton Street, Suite 135
Centennial, CO, 80112
(Ph) +1 303 706 9700
(Fax) +1 303 706 9701

Document No: RR-240
Prepared By: Andy Wana
Authorized By: Gary England

Issue No: 01
Issue Date: 14/12/2009

These instructions remain the property of Rhino-Rack Australia Pty Ltd and may not be used or changed for any other purpose than intended.



Y02 - 120 / 130 - NT - To suit Thule / Yakima Tracks

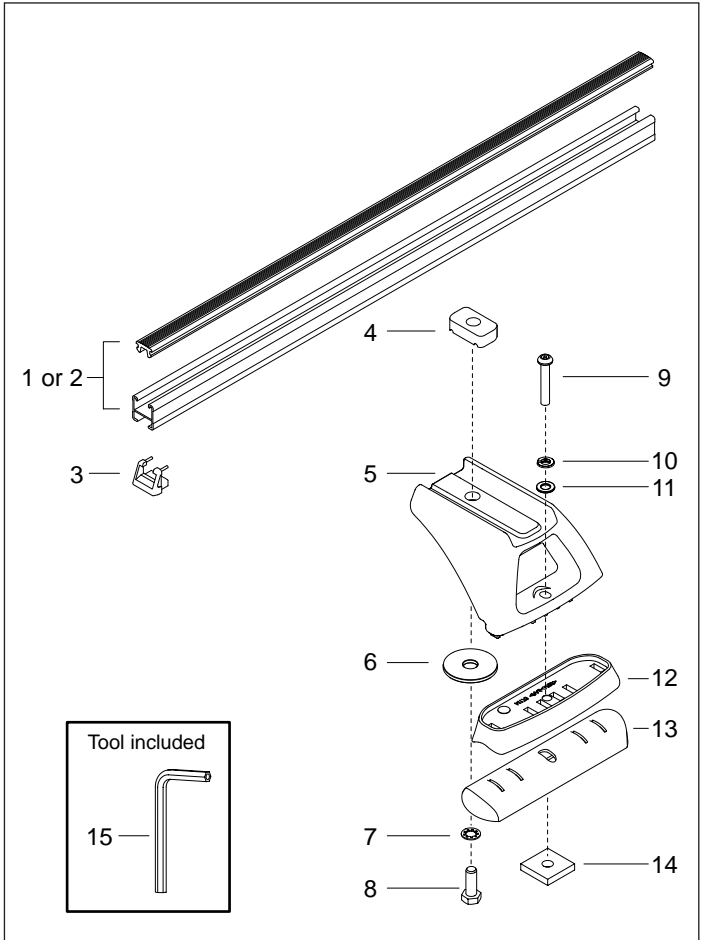
Parts List

Item	Component Name	Qty	Part No.
1	1375mm / 54" HD Cross Bar	2	RB1375S
2	1500mm / 59" HD Cross Bar	2	RB1500S
3	Heavy Duty End Cap	4	M002
4	M10 Channel Nut	4	N024
5	RLCP Leg	4	M123
6	M10 x 38mm Flat Washer	4	W022
7	M10 Shakeproof Washer	4	W021
8	M10 x 20mm Hex Bolt	4	B003
9	M6 x 40mm Security Screw	4	B085
10	M6 Spring Washer	4	W004
11	M6 x 12.5mm Flat Washer	4	W003
12	RLCP Top Pad	4	M173
13	RLCP Base Pad	4	M172
14	M6 Square Nut	4	N025
15	5mm Security Allen Key	1	H021
16	Fitting Instruction	1	RR 240

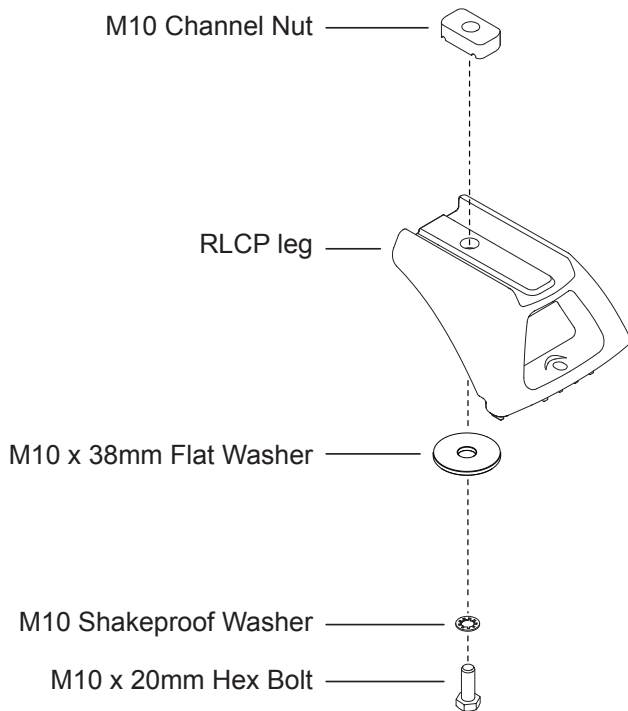
Tools Required:

Tape measure.
Rubber mallet.

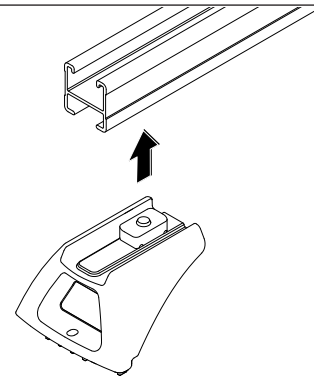
5mm security allen key,
provided in kit.



1 Assemble the leg as shown

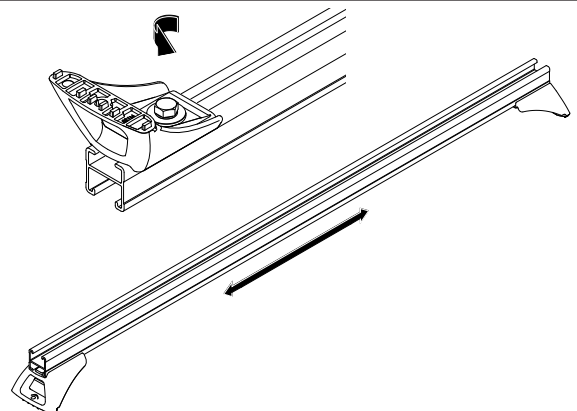


2



Insert the heavy duty leg assembly into the underside channel of the cross bar.

3

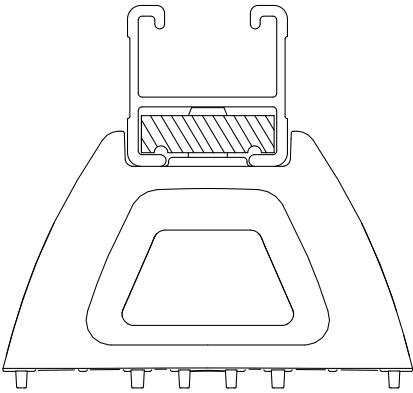


Tighten the leg attachment bolt so that the channel nut turns to locate across the cross bar. Finger tighten the bolt, as the legs will require adjustment later.



Y02 - 120 / 130 - NT - To suit Thule / Yakima Tracks

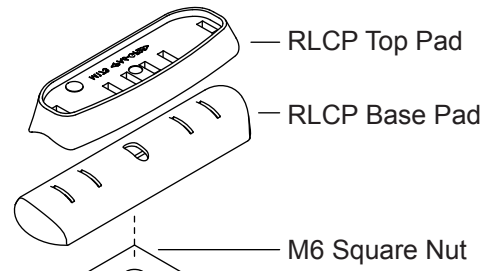
4 Check that the channel nut is fully located across the bar.



5

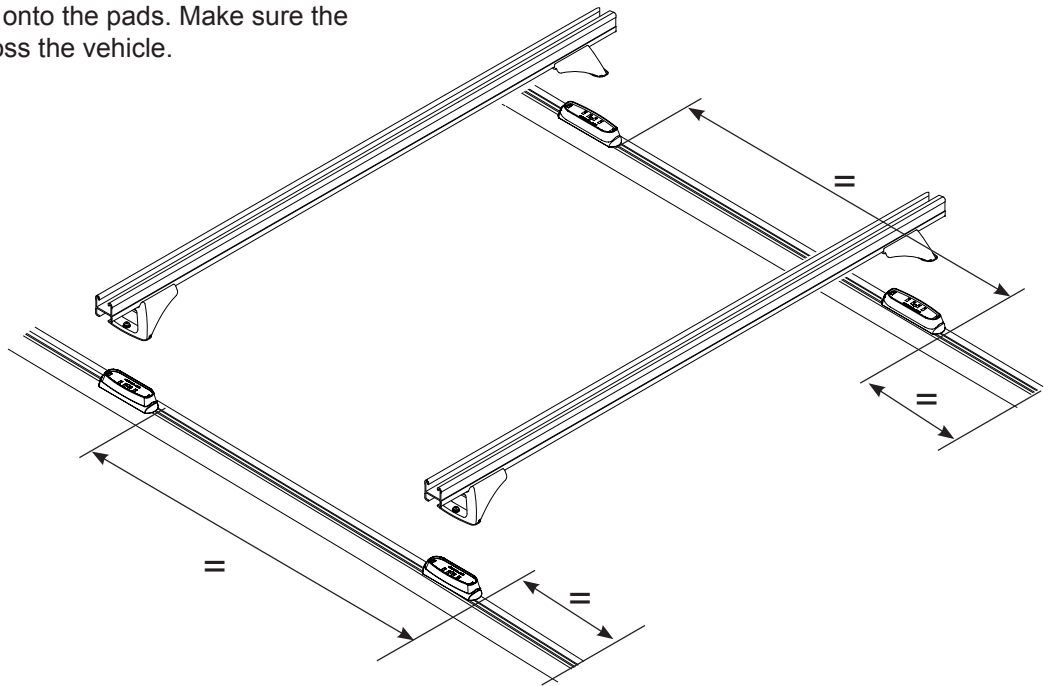
M13 <PA-GP25>

Tangs on top pad must face towards outside of vehicle.



M6 Square Nut will sit inside track profile as shown. Make sure that the domed / curved side of the nut faces downward.

6 Place the cross bars onto the pads. Make sure the bars are parallel across the vehicle.

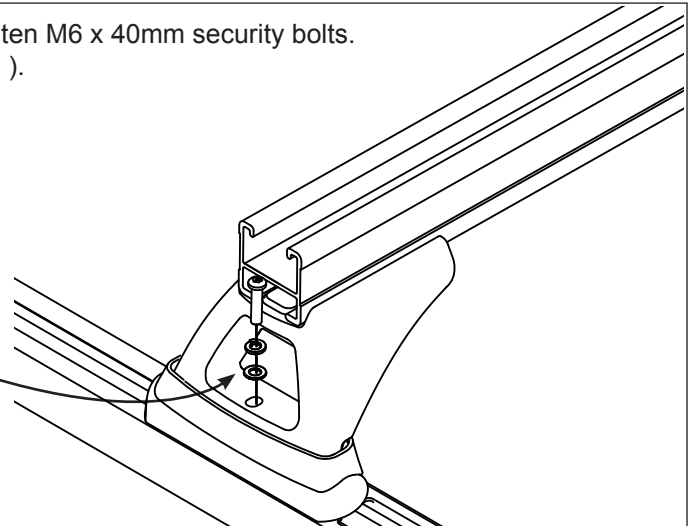
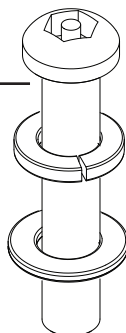


7 Fasten the four legs using the allen key supplied. Tighten M6 x 40mm security bolts. Recommended tightening torque is 4-5 Nm (3-4 ft-lbs). **DO NOT OVERTIGHTEN**

M6 x 40mm security bolt

M6 spring washer

M6 flat washer

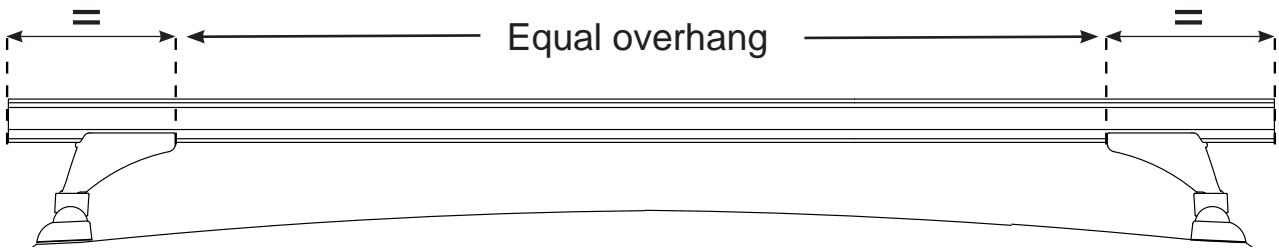




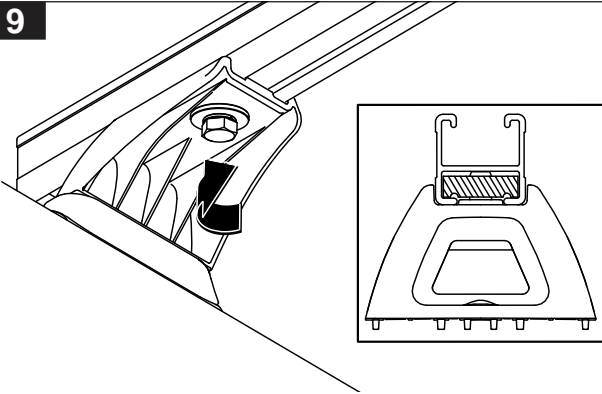
Y02 - 120 / 130 - NT - To suit Thule / Yakima Tracks

8 Equal cross bar overhang:

Measure each side to establish equal cross bar overhang.

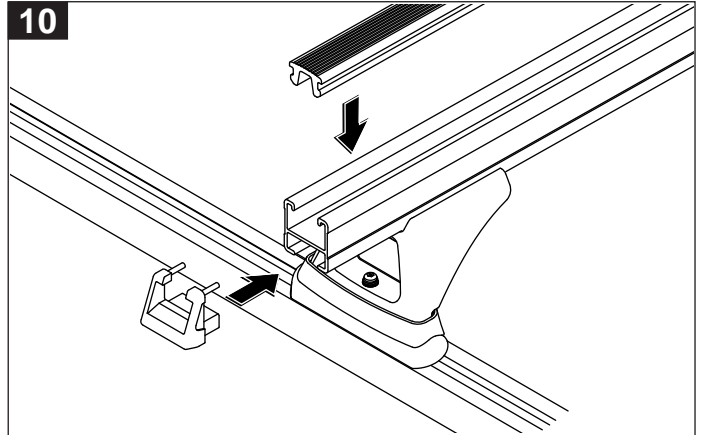


9



Tighten the cross bar attachment bolts.
Recommended tightening torque 17-19Nm (13-14 ft-lbs).
DO NOT OVER TIGHTEN.
Check that the channel nut is located across the cross bar.

10



Insert the cross bar rubber buffer strip into the top of the cross bar. Insert the end caps into the ends of the cross bar, a rubber mallet may be required to fit the end caps.

11 Finished assembly

