

# ROUGH COUNTRY

## SUSPENSION SYSTEMS®

### Bed Extender

**Thank you for choosing Rough Country for all your vehicle needs.**

Please read instructions before beginning installation. Check the kit hardware against the kit contents shown below. Be sure you have all needed parts and know where they go.

If question exist, please call us @1-800-222-7023. We will be happy to answer any questions concerning this product. Check all fasteners for proper torque. Check to ensure for adequate clearance between all components. Periodically check all hardware for tightness.



## Tools required

Phillips screw driver

Hex key

Power drill

9/64" drill bit

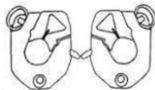















Center punch

Supplied templates

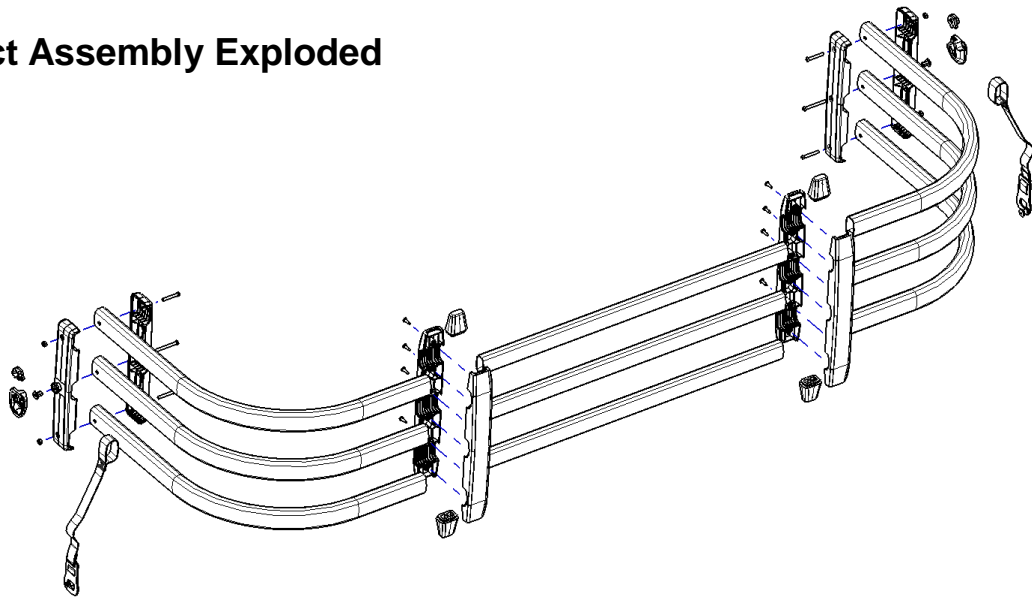
Soapy Water





## PARTS LIST

NO	PICTURE	PART NUMBER	QTY	NO	PICTURE	PART NUMBER	QTY
1		Quick Mount Bracket set	2	9		Hex Nut M5	2
2		Pivot Upright Assembly	2	10		Lock Washer M5	2
3		Bumper Upright Assembly	2	11		Washer M6	2
4		Bent Tube	6	12		Strap Latch Insert φ 11	2
5		Straight Tube	3	13		Strap Latch Insert φ 15	2
6		Strap Buckle Assembly	2	13		Bumper	2
7		Phillips Head Self-tapping Screw 5*16	6	14		Spare kits	1
8		Phillips Head Screw M5*20	2	15		Drilling template	1

# Product Assembly Exploded

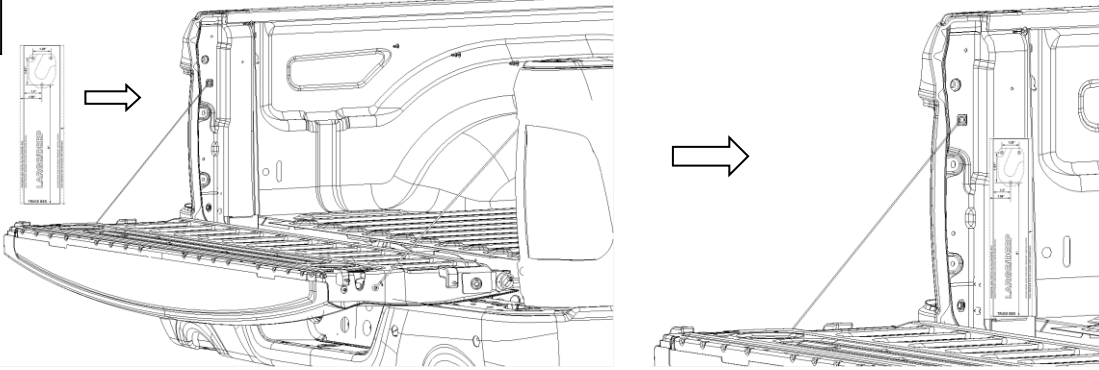


## 1. Assembly Procedures

<p>1</p>		<p>Disassemble Part ② with supplied Hex Key “”</p>
<p>2</p>		<p>Assemble Part ② and ④ with supplied Hex Key “”, tighten all screws.</p> <p><b>NOTE: Make sure pivot at outside after assembly as picture shown.</b></p>
<p>3</p>		<p>Put on Part ⑥ Strap Buckle Assembly on the middle tube.</p> <p><b>NOTE: Make sure the Strap Latch Insert towards inside after assembly as picture shown.</b></p>
<p>4</p>		<p>Apply Part ⑤ straight tubes to 2 of the assembly from Procedure-3.</p>

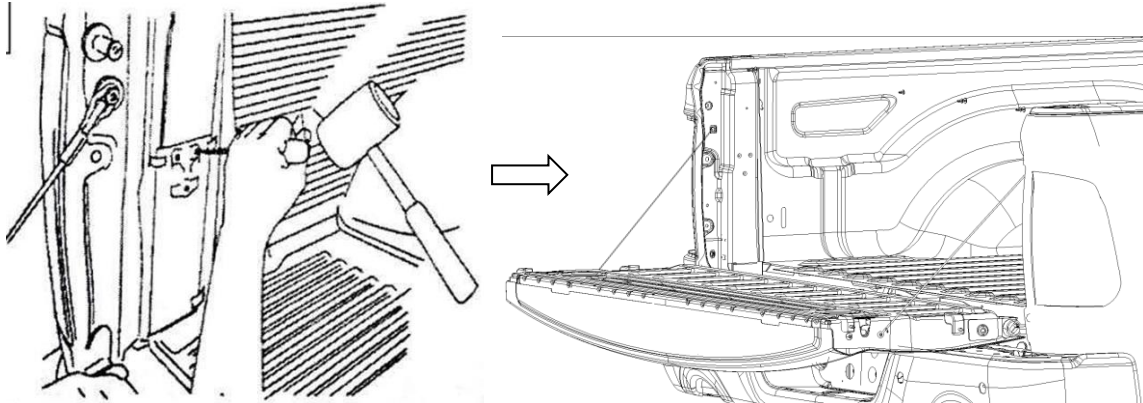
## 2. Installation Procedures

5



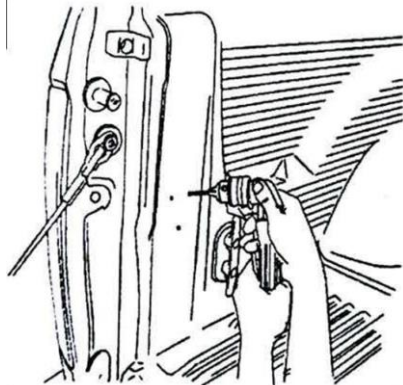
Adjust and place drilling template at tailgate D-pillar and mark the 3 screw holes with marker on both sides.

6



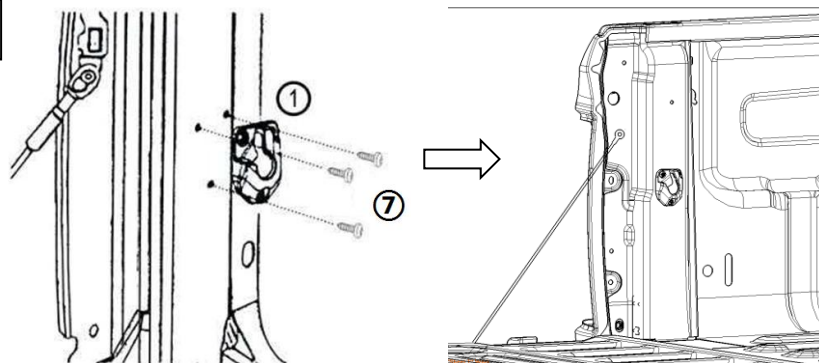
Use center punch to mark screw holes for preparation of drilling.

7



Use a power drill and  $\frac{9}{64}$ " drill bit, drill through the sheet metal. If equipped a bedliner, drill through bedliner as well.

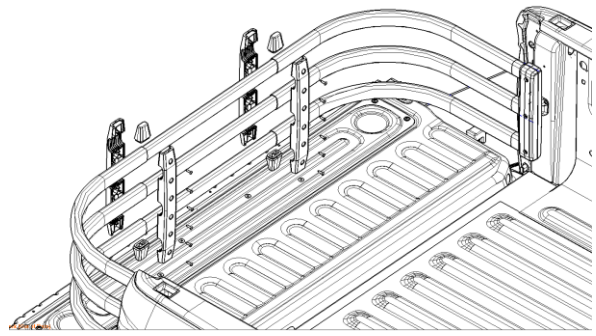
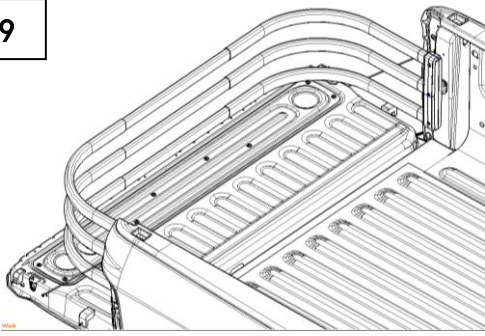
8



Fasten Bracket ① with Screw ⑦ by using Phillips screw driver

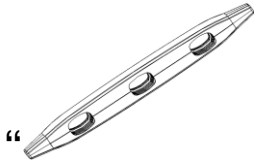


9

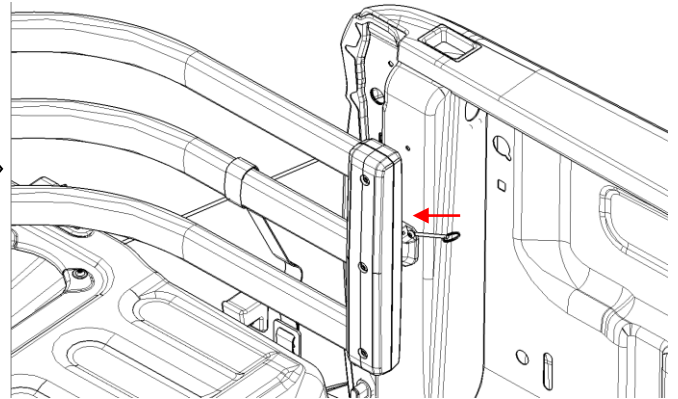
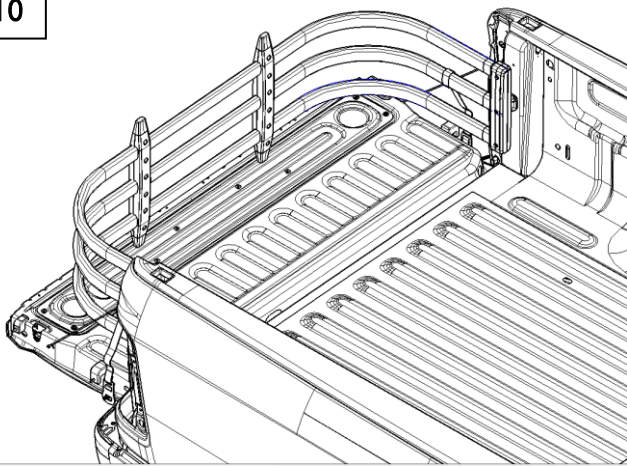


Adjust the width of bed extender to fit preinstalled **Quick Mount Bracket**, Use Phillips screw driver “” to fasten

Part ③

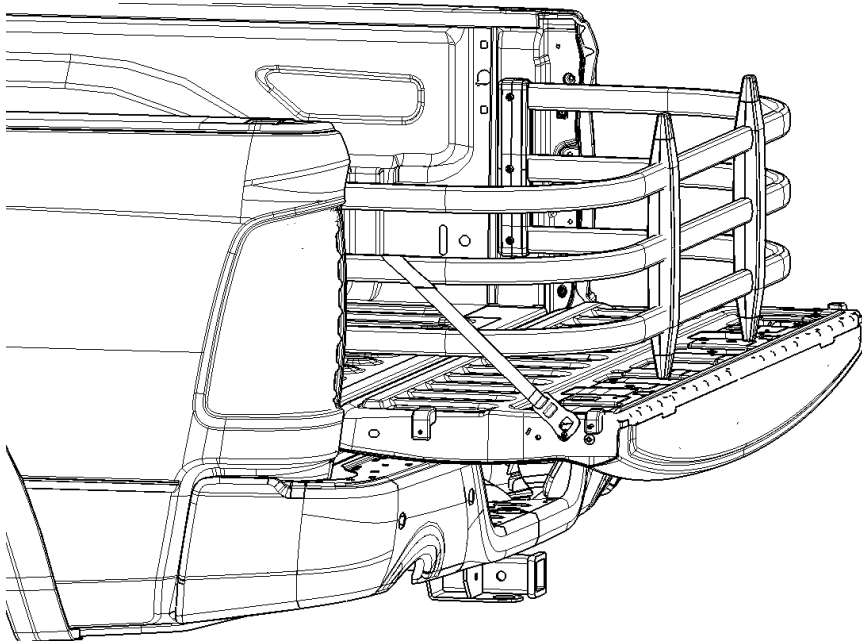


10



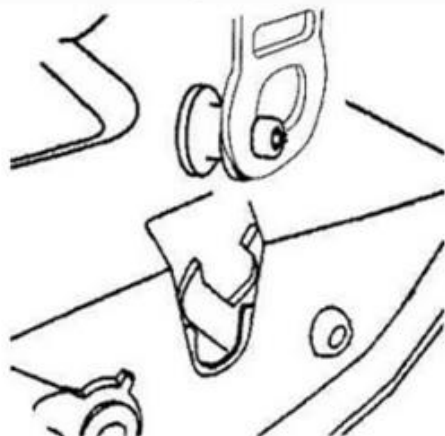
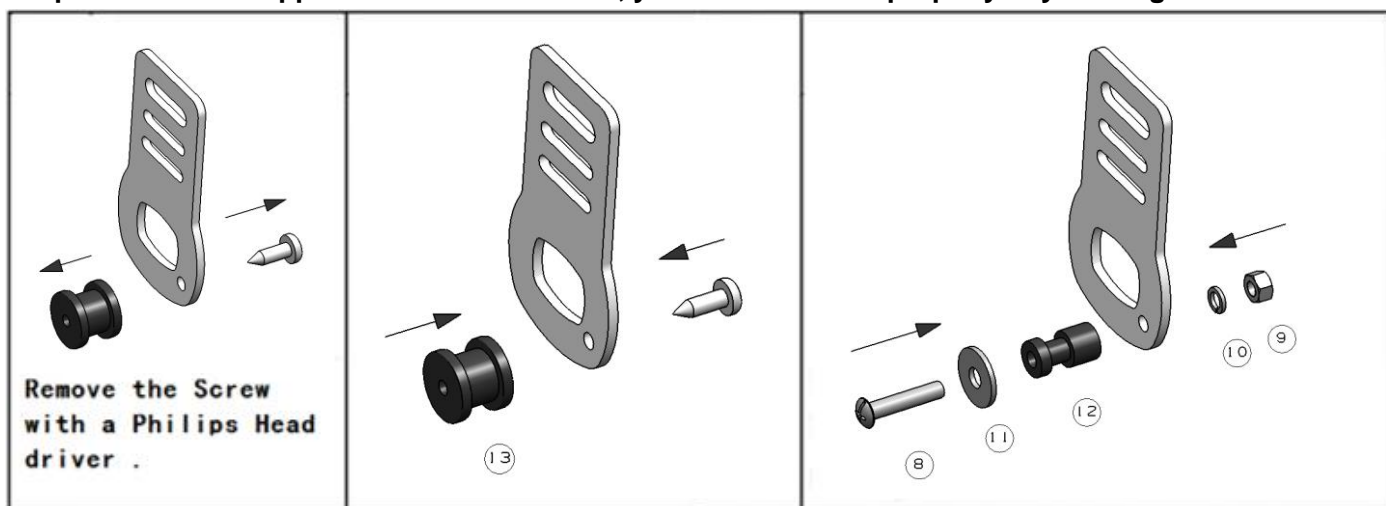
Insert “” into **Quick Mount Bracket**, and put “” back on brackets.

11



Adjust **Strap Buckles** to lock into the tailgate when **Bed Extender** is deployed.  
Your assembly is now complete.

Strap Latch Insert supplied in 3 diameter sizes, you can choose to properly fit your tailgate latch.



When the Bed Extender is at the furthest rear position, push down on the buckle to insert into tailgate latch. Tighten straps. To release, pull tailgate handle.

**NOTE:** Ensure that buckles are properly inserted into latches by pulling on the straps after both buckles have been inserted.

### **BED EXTENDER OPERATION**

- With the tailgate open, place Bed Extender pivot pins into the left and right mounting brackets. Rotate to 45 until it drops into place, then lower onto the open tailgate.
- Flip Bed Extender out to contain cargo in the truck bed when the tailgate is open. **CUTION!** 200lb maximum load on open tailgate. Always distribute cargo evenly and properly secure inside bed. Do not secure cargo to the Bed Extender or the tailgate.
- Before driving, secure Bed Extender by locking the provided strap buckles into the truck's tailgate latches. To release, pull tailgate handle. **NOTE:** Ensure that both buckles are properly locked into the latches by pulling up on each strap.
- Flip Bed Extender forward and close the tailgate to keep smaller cargo safe and organized.

### **WARNING**

Be sure to read and precisely follow the provided instructions when installing this product. Failure to do so could place the vehicle occupants in a potentially dangerous situation. After installing or reinstalling, re-check to insure that the product is properly installed.

By purchasing any item sold by Rough Country, LLC, the buyer expressly warrants that he/she is in compliance with all applicable, State, and Local laws and regulations regarding the purchase, ownership, and use of the item. It shall be the buyers responsibility to comply with all Federal, State and Local laws governing the sales of any items listed, illustrated or sold. The buyer expressly agrees to indemnify and hold harmless Rough Country, LLC for all claims resulting directly or indirectly from the purchase, ownership, or use of the items.