

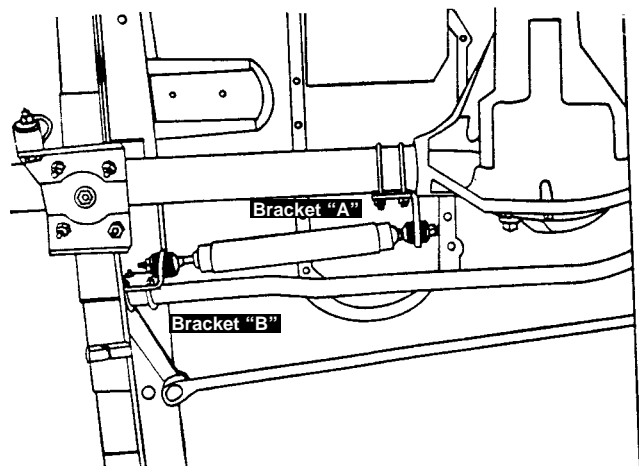
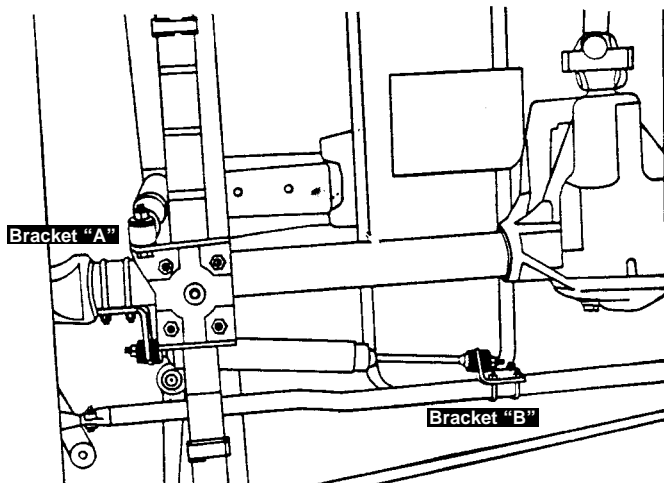
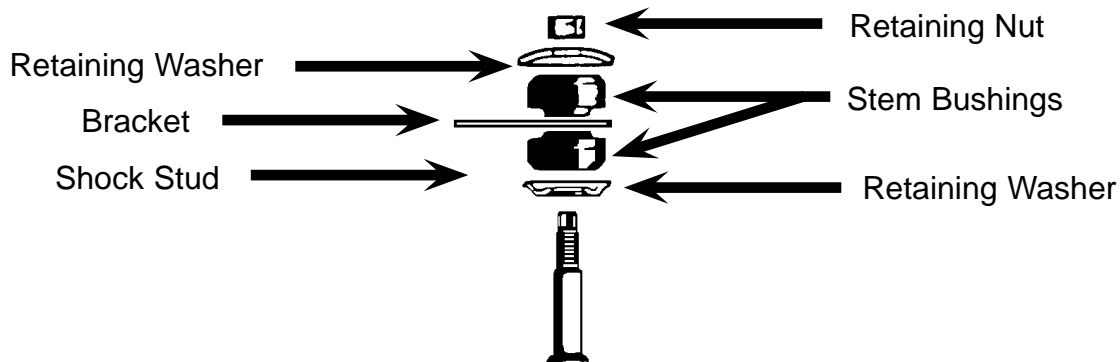
Part #	Description	Qty.
7900	WHITE STEERING DAMPER	1
83167	MAIN BRACKET FOR 7160	1
83161	UNIVERSAL TIE ROD BRACKET	1
38X312X412U	3/8 X 3 1/2 X 4 1/2 U-BL R	2
516X114X134U	5/16 X 1 1/4 X 1 3/4 U-BT R	2
38CTN	3/8-16 COARSE N/I LOCK NUT	4
38SAEW	3/8 SAE WASHER	4

Part #	Description	Qty.
516SAEW	5/16 SAE WASHER	4
516CTN	516-18 COARSE N/I LOCK NUT	4
STEM BUSH-SST	STEM BUSHING-STEERING STAB.	4
142120	STAB WASH PKG - P889/145098	2
B10RS	RED BOOT	1
BTIE	RED BOOT TIE	1
HSS	HYDRO SHOCK DECAL	1

Note: Skyjacker steering stabilizer Part # 7160 is designed to fit several makes of vehicles covering several years. Configuration of the front end of your vehicle will determine where you mount the stabilizer. Differential cases are located either on left or right side depending on the vehicle. This stabilizer can be installed on either side.

Installation:

1. Park the vehicle on level ground & place the tires / wheels in a straight forward position. Set the emergency brake & block the rear tires.
2. Install bracket "A" onto the axle housing tube per the illustration. Install using the u-bolts & nuts. Do not tighten at this time. Install the stabilizer onto bracket "A" using the bushings & washer packs provided.
3. Install the shaft end of the stabilizer to bracket "B".
4. Extend the stabilizer shaft out 4"(exactly half way) & mount onto the tie rod using the u-bolts & nuts. Rotate the tie rod bracket as needed to obtain the best position. Tighten all hardware securely on bolts & u-bolts at this time.
5. Cycle the tires / wheels left to right & check all hardware for clearance. Re-tighten after the first 100 miles & periodically there after.





Jesus Christ Died For You.

John 3:16

For God so loved the world that He gave His only Son, so that everyone who believes in Him should not perish, but have everlasting life.
Romans 3:23

For all have sinned; all fall short of God's glorious standard.
Ephesians 2:8

God saved you by his special favor when you believed. And you can't take credit for this; it is a gift from God.
Psalms 18:2

The Lord is my Rock, my fortress, and my savior; my God is my Rock, in whom I find protection. He is my shield, the strength of my salvation, and my stronghold.
Romans 10:9-10

That if you shall confess with thy mouth the Lord Jesus, and shall believe in your heart that God hath raised him from the dead, you shall be saved. For with the heart man believeth unto righteousness; and with the mouth confession is made unto salvation.

Pray This Simple Prayer:

God, I come to You admitting I have sinned against You and I need you to take control of my life. The Bible says anyone who calls on the name of the Lord will be saved. I am calling on You, Jesus. I ask that You come live in my heart and be the Lord over my life today. I do believe You died on the cross for me and came back to life to give me life! Thank You, Lord Jesus for a new life in You!

Now, go and tell somebody about your new life in Jesus, get a Bible, begin to read it, and go to a Bible believing church.

If you would like someone to pray with you, call Kenneth Copeland Ministries anytime at 800-600-7395.

To listen to commercial free Christian radio on the web, go to www.887fm.org

Jesús murió por ti.

Juan 3:16

“Porque tanto amó Dios al mundo, que dio a su Hijo unigénito, para que todo el que cree en él no se pierda, sino que tenga vida eterna.”
Romanos 3:23

“Pues todos han pecado y están privados de la gloria de Dios.”
Efeios 2:8

“Porque por gracia ustedes han sido salvados mediante la fe; esto no procede de ustedes, sino que es el regalo de Dios.”
Salmos 18:2

“El Señor es mi roca, mi amparo, mi libertador; es mi Dios, el peñasco en que me refugio. Es mi escudo, el poder que me salva, ¡mi más alto escondite!”
Romanos 10:9-10

“9 Que si confi esas con tu boca que Jesús es el Señor, y crees en tu corazón que Dios lo levantó de entre los muertos, serás salvo. 10 Porque con el corazón se cree para ser justifi cado, pero con la boca se confi esa para ser salvo.”

Ahora dí esta simple oración:

Dios, vengo a Ti y admito que he pecado contra Ti, necesito que tomes el control de mi vida. La Biblia dice que todo aquel que invoca el nombre del Señor escapará con vida. En este momento yo clamo ante Ti, Jesús; te pido que vengas a vivir en mi corazón y que tomes el control de mi vida. ¡Yo creo que tu moriste en la cruz y resucitaste para darme vida! ¡Gracias Señor Jesús, por una nueva vida que tengo en Ti! Amen.

Ahora ve y dile a alguien sobre la nueva vida que tienes en Cristo. Compra una Biblia y empieza a leerla. Busca una Iglesia que cree en la Biblia y hazte parte de esa Iglesia.

Si te gustaría orar con alguien, puedes llamar a este número 800-600-7395

Puedes ir a este sitio de Internet para escuchar música Cristiana sin anuncios, www.887fm.org

Check out our favorite ministries at:

www.innministries.org

www.familychurch.org

www.kcm.org

