



# INSTALLATION INSTRUCTIONS

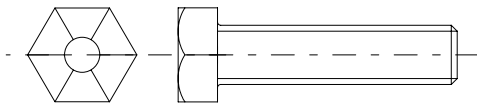
Samurai Security Console Part # 052

Please read and fill out the enclosed warranty registration card to activate your warranty.

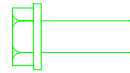
## Tools Needed

- ❑ Marking Pencil or Pen
- ❑ 1/2" Socket and Ratchet
- ❑ 1/2" Wrench
- ❑ 5/16" Wrench
- ❑ 3/8" Wrench
- ❑ Drill and 3/8" drill bit (1/8" bit recommended for pilot hole)

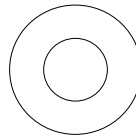
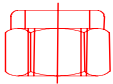
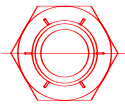
## Shipping Package



(4) 5/16 x 1 1/4" Grade 8 Bolts



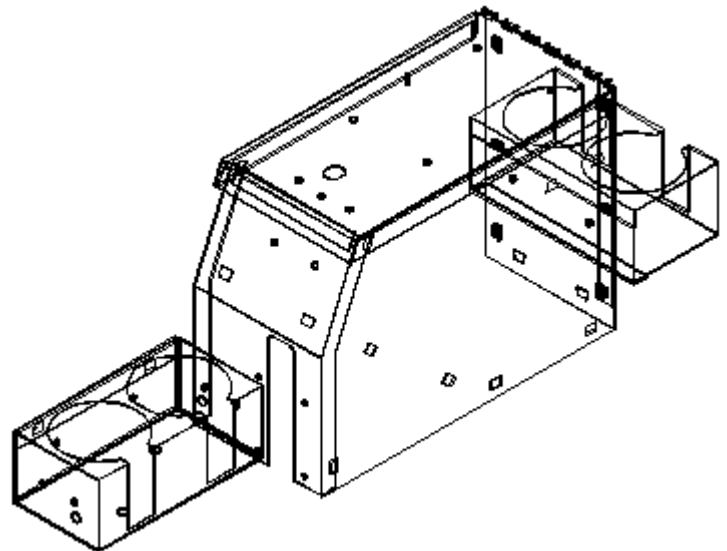
(2) 10-32 Unslotted Machine screws



(4) 5/16" Locknuts (2) 10-32 Locknuts (8) 5/16" Washers (2) #10 Washers (2) Hole Plugs

## Mounting Directions

1. Attach the drink holder to either the rear of the console or the front of the console using (2) 10-32x 1/2" screws, (2) #10 locknuts, and (4) #10 washers. Additional drink holders for the rear can be purchased separately, Tuffy part #034. **NOTE:** Clearance between the emergency brake and a front mounted drink holder is close and the operator might hit their hand.



2. Pull the emergency brake all the way up and place the console between the seats in the final mounting position desired. **NOTE:** If the emergency brake pulls up more than about 45 degrees it should be adjusted by a qualified professional prior to installation of your Tuffy console.
3. Mark the floor directly under the (4) 3/8" mounting holes in the Tuffy console.
4. Remove the console. Cut holes in the carpet where the marks are (from step #3).
5. **Warning**, failure to cut the carpet out of the way may cause the drill bit to damage the carpet. Also make sure nothing will be damaged underneath the vehicle by drilling.
6. Drill a 3/8" hole in each marked spot.
7. Fasten down the rear of the console using (4) 5/16 x 1 1/4" bolts, (4) 5/16 locknuts, and (8) 5/16" washers. Push at least one of the bolts up from underneath the vehicle for security.
8. **Warning**, if the drink holder is mounted to the front of the console, be careful that there is no interference with the emergency brake.
9. Insert (2) 1/4" hole plugs into the drink holder mounting holes not used.
10. Apply neoprene seal as illustrated.
11. Check lock operation.

