



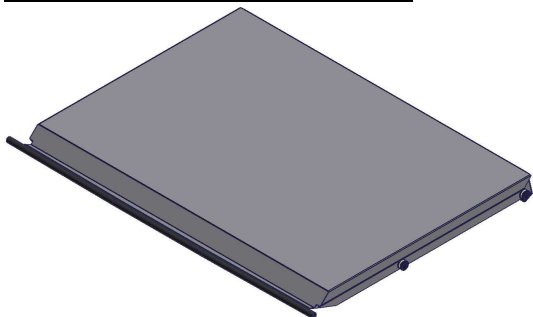
INSTALLATION INSTRUCTIONS

JL 2018+ DECK ENCLOSURE #345 (2 & 4 Door)

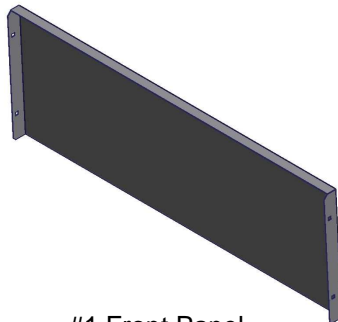
Fits vehicles WITHOUT Alpine Premium Stereo Upgrade

Please read and fill out the enclosed warranty registration card to activate your warranty.

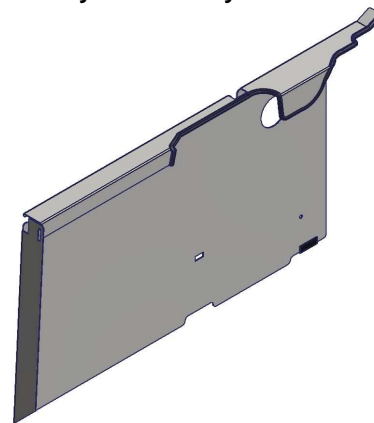
SHIPMENT CONTENTS



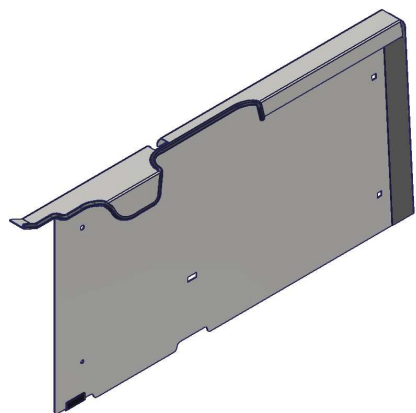
#2 Lid



#1 Front Panel



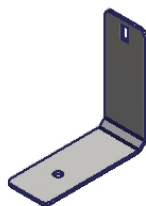
#3 Left Panel



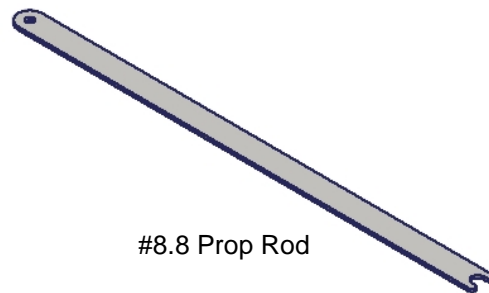
#4 Right Panel



#7.6 Trim Seal(38 $\frac{1}{4}$ " Long)

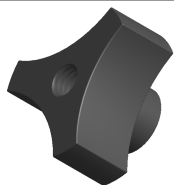


#5 (2) Mounting Brackets

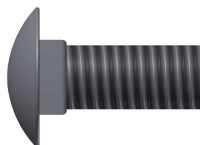


#8.8 Prop Rod

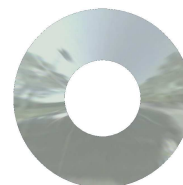
HARDWARE PACKAGE



#8.3 (6) 5/16 Wing Knob Nuts



#8.1 (6) 5/16 x $\frac{3}{4}$ " Carriage Bolt



#8.2 (6) 3/8 Washer



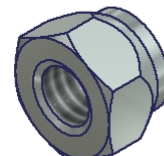
#8.7 (1) 5/16 x 1" Screw



#8.4 (1) 5/16" Nylon Washer



#8.5 (1) 5/16" Steel Washer



#8.6 (1) 5/16" Nylock Nut

TOOLS REQUIRED

• T-40 Torx Wrench

• Flathead Screwdriver

ATTENTION:

- **THIS ENCLOSURE WAS DESIGNED FOR A STOCK OEM VEHICLE, ANY MODIFICATIONS MADE TO YOUR VEHICLE MAY AFFECT THE FIT INCLUDING: CARPET REMOVAL/CHANGES, SEATS, ETC.**
- **Vehicles with Power Door Locks feature Remote Keyless Entry and the Vehicle Security Alarm. Arming of the Vehicle Security Alarm (by locking the doors with either the key fob or interior power door lock switch) automatically disables the interior power door lock switches and ensures that the Tuffy enclosure is secure, even on softtop models or with the top removed. There is a 16-second alarm arming period during which the interior power door lock switches remain active.**
- **For safety do not place any items on top of the enclosure that are not adequately secured to the vehicle to prevent movement in the event of an accident or abrupt speed changes.**

INSTALLATION:

PLEASE READ ALL SAFETY WARNINGS AND INSTRUCTIONS THOROUGHLY BEFORE STARTING INSTALL

1. Assemble the #4 Right Panel by attaching (1) #5 Mounting Bracket, and the #8.8 Prop Rod as shown in Figure 1.
NOTE: Leave the #8.3 Knob Nut loose as some flexibility is required in later steps.

NOTE: Tighten the hardware attaching the #8.8 Prop Rod so that the Rod rotates freely but will not rattle during normal driving.

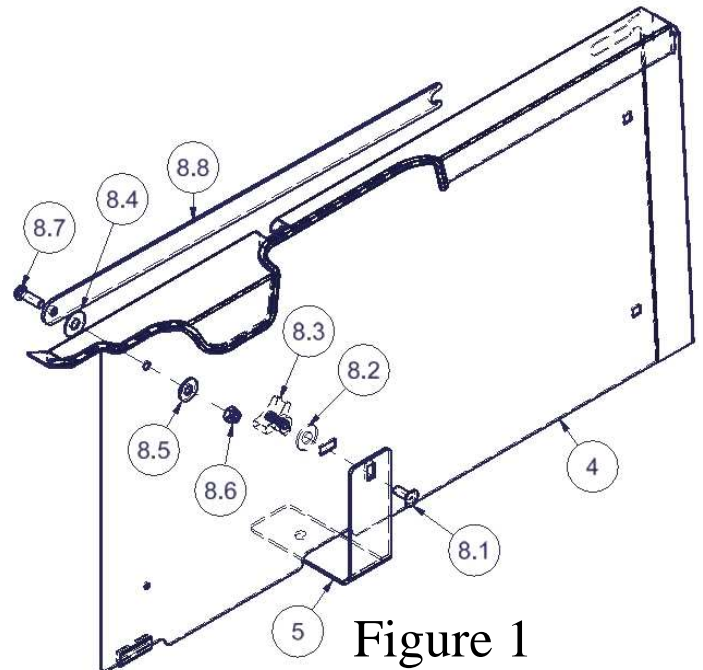


Figure 1

2. Assemble the #3 Left Panel by attaching (1) #5 Mounting Bracket as shown in Figure 2.

NOTE: As in Step #1, Leave the #8.3 Knob Nut loose as some flexibility is required in later steps.

NOTE: The #8.8 Prop Rod is generally attached to the Right Panel to avoid the 12V power port, but it may be assembled to either side panel, and will function normally in either case.

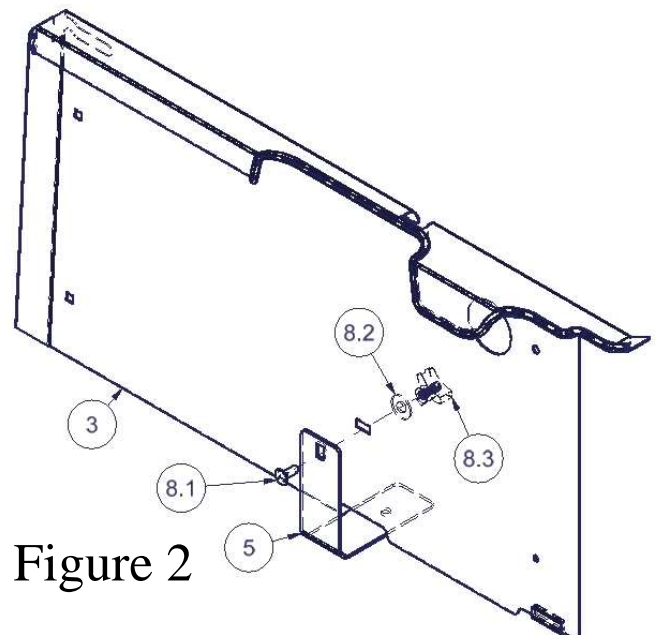


Figure 2

3. Release the plastic covers over the middle cargo loops on the floor of the cargo area by using a flat blade screwdriver. A slight upward “pry” at the rear of the cover will release the internal clip holding it down.
4. Remove the middle cargo loops by removing the OEM Torx head bolts that hold them to the vehicle. The cargo loops may be set aside for future use but will not be used in conjunction with the 345 Deck Enclosure.
5. Install the #3 Left Panel (Drivers Side), and #4 Right Panel (Passengers Side) into the cargo area using the OEM cargo loop mounting bolts removed in the previous step as shown in Figure 3 and Figure 4. The ends of the #5 mounting brackets will be very close to the edge of the factory cubby cover panel but should not overlap. Adjust the side panels so that the Rubber Spacers rest on the plastic trim, and the upper profile seats tightly around the plastic trim, and tighten the #8.3 Knob Screws. *NOTE: Before installing panels, make sure the trim material around the upper edge is seated properly to the metal panel as it may have separated slightly during shipment.*

NOTE: Do not overtighten the mounting bolts, as this will pull the upper edge of the side panels inward causing alignment issues with the lid.

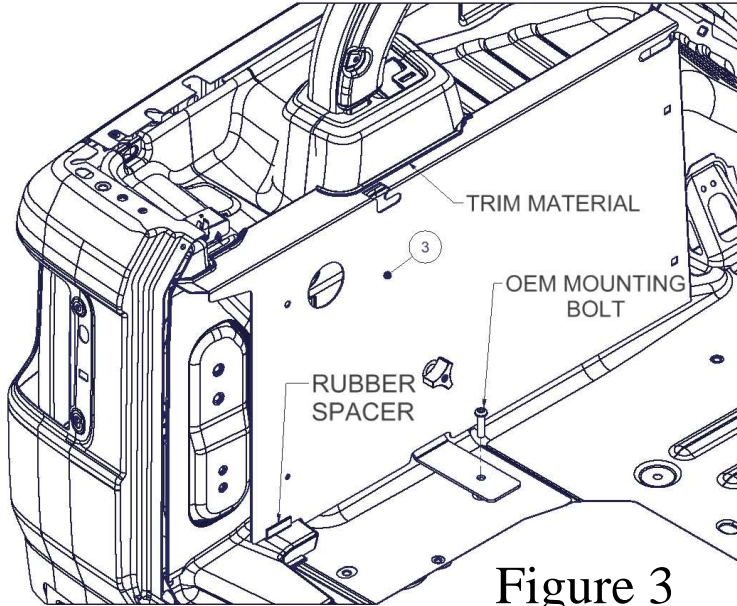


Figure 3

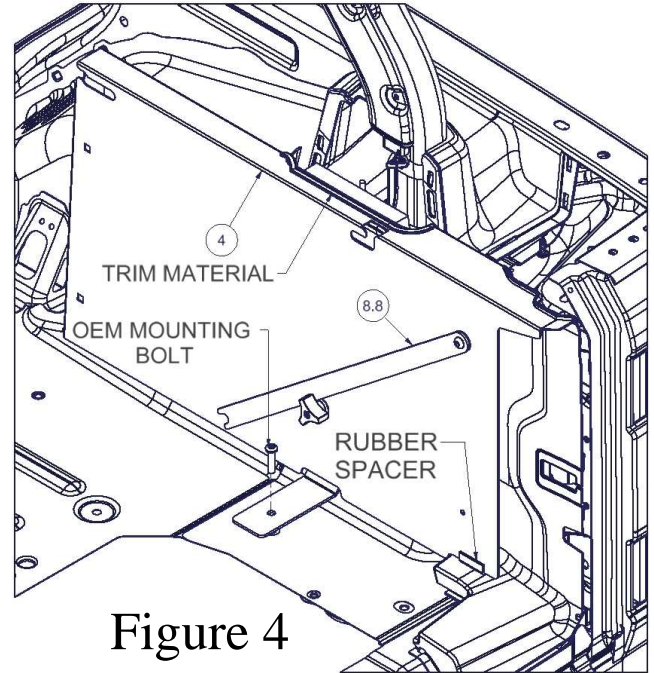


Figure 4

6. Install the #1 Front Panel to the #3 and #4 Side Panels using (4) #8.1 Carriage Bolts, (4) #8.2 Washers, and (4) #8.3 Knob Nuts, as shown in Figure 5.

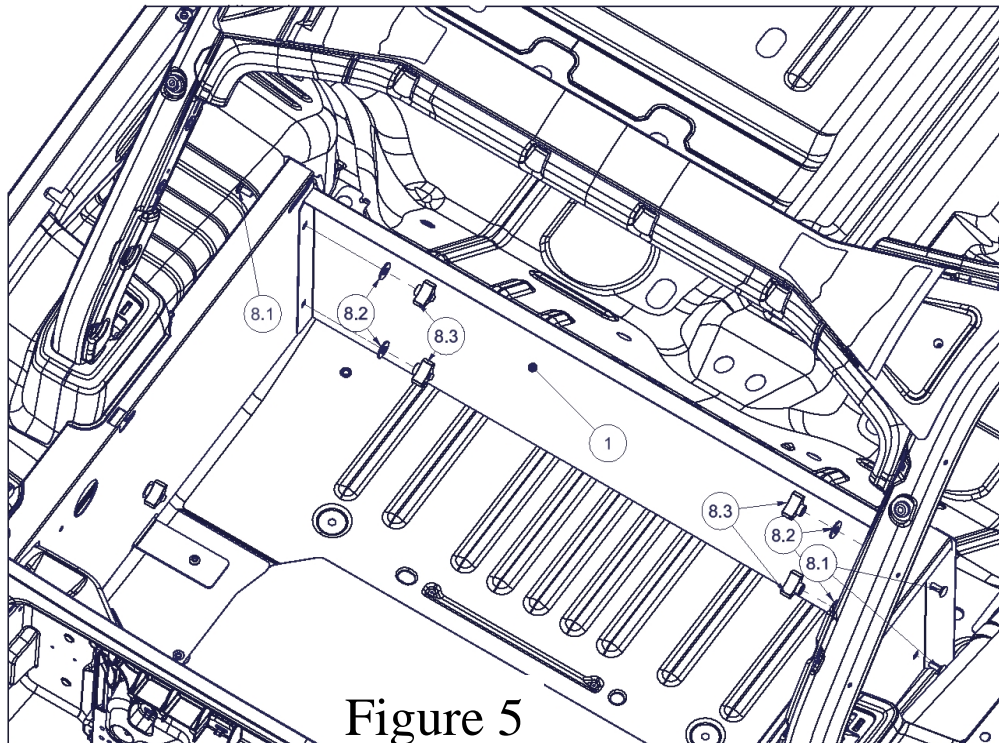


Figure 5

7. Install #2 Lid through the back of the vehicle then maneuver it so the rear is tipped up slightly and the Front Bushings on the lid enter the openings in the front of the #3 and #4 Side Panels. Then pull the lid toward the rear of the vehicle until it stops. Close the lid by maneuvering the Rear Bushings on the lid into the rear openings in the #3 and #4 Side Panels. Secure the lid shut by pushing it toward the front of the vehicle until it stops. When the vehicle tailgate is closed it prevents the lid from moving rearward to the unsecured position where it can be rotated open on the front hinging bushings. Reverse the process to either open the lid or remove it. (See Figure 6 & 7)

Figure 6 (Lid Installation, Side view of Tuffy product only)

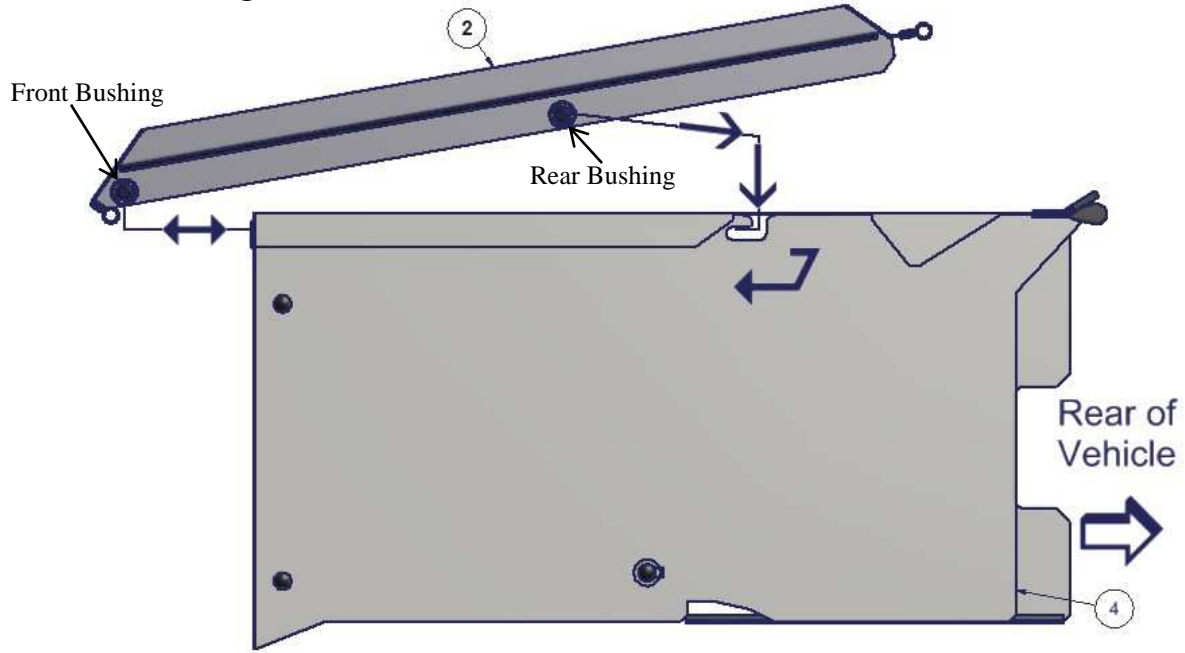
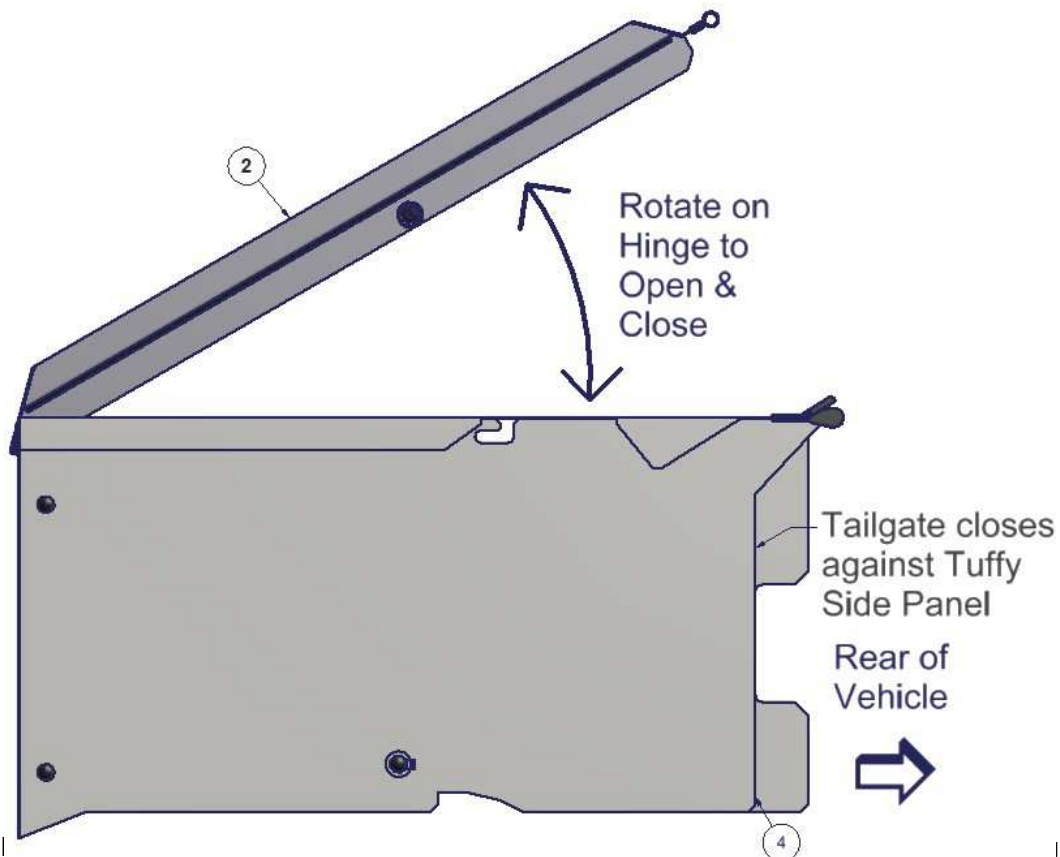


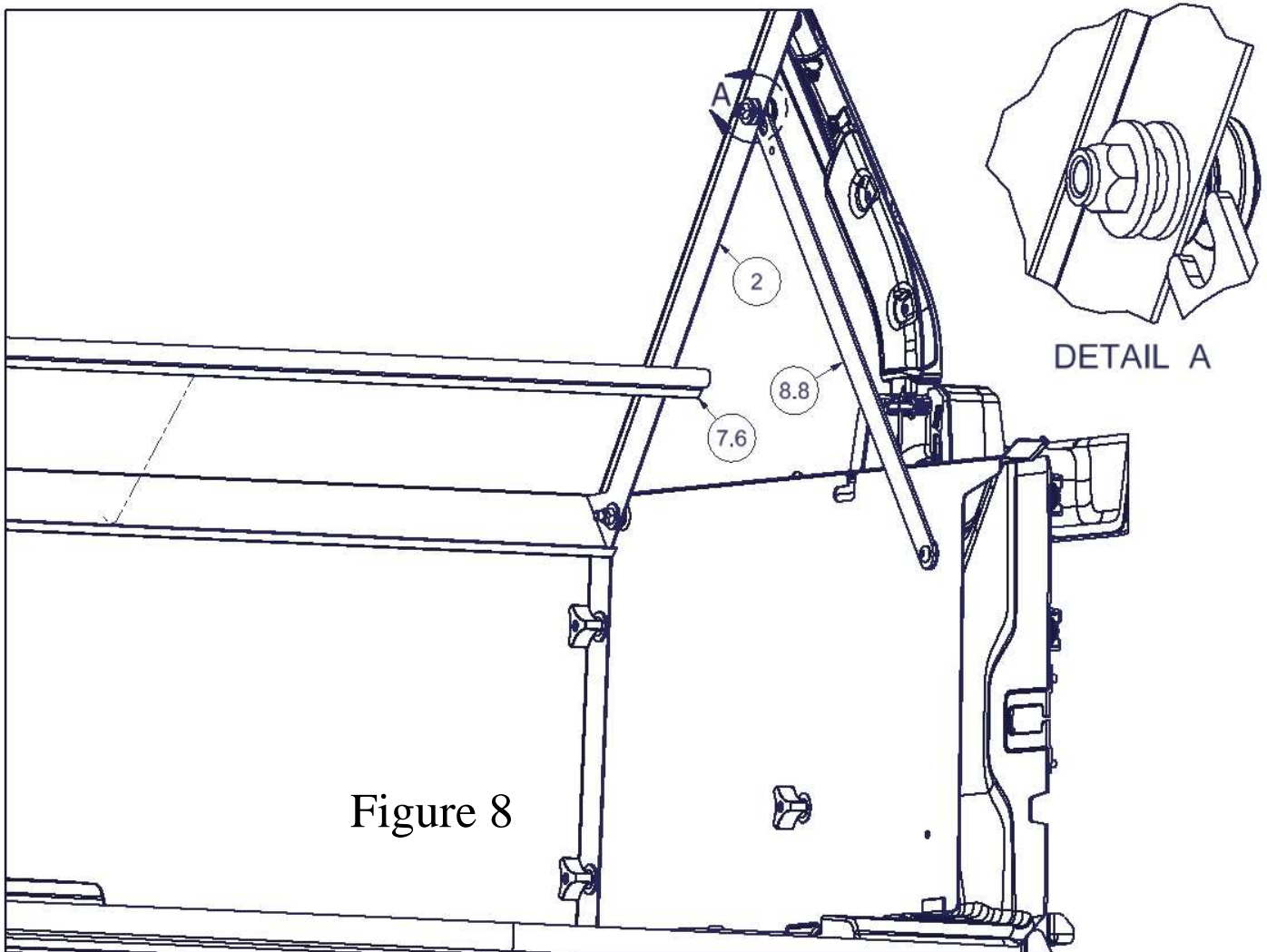
Figure 7 (Lid Operation, Side view of Tuffy product only)



8. Once the #2 Lid is installed and in the closed position (pushed forward in the vehicle), you may adjust the resting position of the rearward edge of the Lid. The rear edge of the Lid should not interfere with the Soft Top Crossbar, or the bottom trim of the Hard Top Rear Window. If adjustment is required, the #8.3 Knob Nuts that attach the #3 and #4 Side Panels to the #5 mounting Brackets may be loosened and the height adjusted as required. Some front to back adjustment is available in these locations as well. Once you are satisfied with the resting position of the lid you may tighten the #8.3 Knob Nuts.
9. Open the #2 Lid by moving it rearward and lifting the rearward edge. While holding the lid at an approximate 50 degree angle, lift the Prop Rod and place the "fork" between the two washers attached to the mounting bolt of the bushing nearest the tailgate. Shown in Figure 8(Detail A).
10. Apply the #7.6 Trim Seal to the forward edge of the #2 Lid, as shown in Figure 8.

NOTE: Care should be taken while installing the #7.6 Trim Seal as excessive force could cause the lid to separate from the Prop Rod, causing the Lid to fall.

NOTE: The lid may be removed with the #7.6 Trim Seal installed, but when re-installing the Lid, the Trim Seal should be removed to ease installation.



Call (800) 348-8339 for Technical Support