



INSTALLATION INSTRUCTIONS

Console Safe – 07-14 GM Truck/SUV #360-01

Fits: 07-13 Silverado/Sierra 1500

07-14 Silverado/Sierra 2500 and 3500

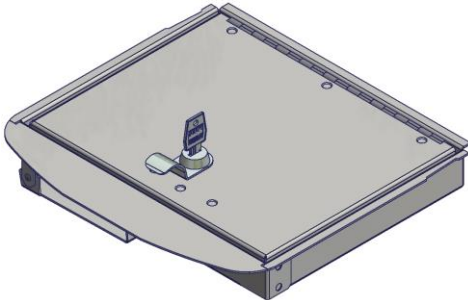
07-14 Tahoe/Suburban/Yukon/Yukon XL

Please read and fill out the enclosed warranty registration card or register online at <https://tuffyparts.com/warranty-registration/> to activate your warranty.

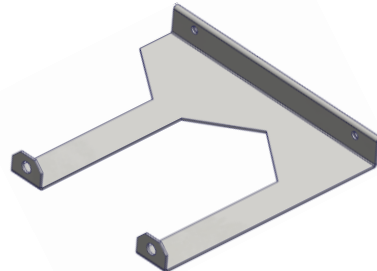
QC CHECK

- _____ SHIP PACK CONTENTS
- _____ VISUAL INSPECTION
- _____ LOCK FUNCTION TEST
- _____ RUBBER SEAL
- _____ SHIPPING PACKAGE
- _____ PLATE BUNDLE

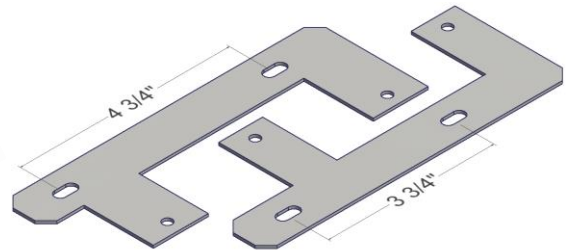
PARTS CHECKLIST



Console Safe #360



#7.5 (1) Left Leg



#7.6 (1) Left Mounting Bracket

#7.7 (1) Right Mounting Bracket

SHIPPING PACKAGE CONTENTS

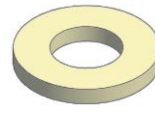
(Included In Key Bag)



#7.8.1 (1)
1/4"-20 Nylock Nut



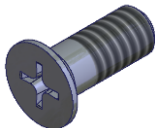
#7.8.2 (1)
1/4" x 5/8" Screw



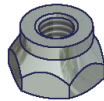
#7.8.3 (2)
1/4" Nylon Washer



#7.2 (4)
#10-32 x 3/16" Screws



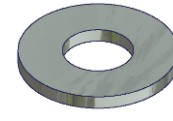
#7.3 (2)
#10-32x1/2 Screw



#7.1 (2)
#10-32 Nylock Nut



#7.9 (4)
#8x1" Screw



#7.10 (4)
#10 Washer

Tools needed for standard installation:

- 7/16" End Wrench
- 3/8" End Wrench
- Phillips Head Screwdriver
- 5/32" Hex Wrench

PLEASE READ ALL INSTRUCTIONS THOROUGHLY BEFORE STARTING INSTALLATION.

1. Remove all contents from the shipping box and confirm that you have all the components listed above.
2. Remove the contents of your factory console.
3. Remove the (4) factory console mounting bolts from the bottom of the console. They will NOT be re-used, but should be set aside if you wish to return the console to factory condition.
4. **Figure 1:** Fold the Console Safe leg into the folded shipping position and lower the insert into the console. By angling the left corner of Console Safe (side with lid support hardware) into the console opening first.

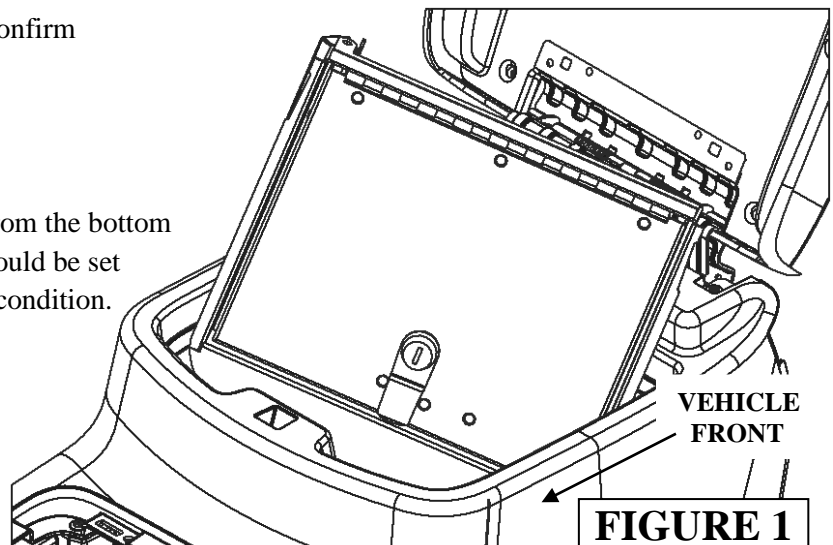


FIGURE 1

5. Open the lid and pull the console safe up and unfold the leg so that it is against the wall of the console.
6. **Figure 2:** Slide the #7.5 Left Leg over the inner flange of the collar and bolt with (2) #7.3" #10-32x1/2 flat head screw and (2) #7.1 1/4" Nylock Nut.

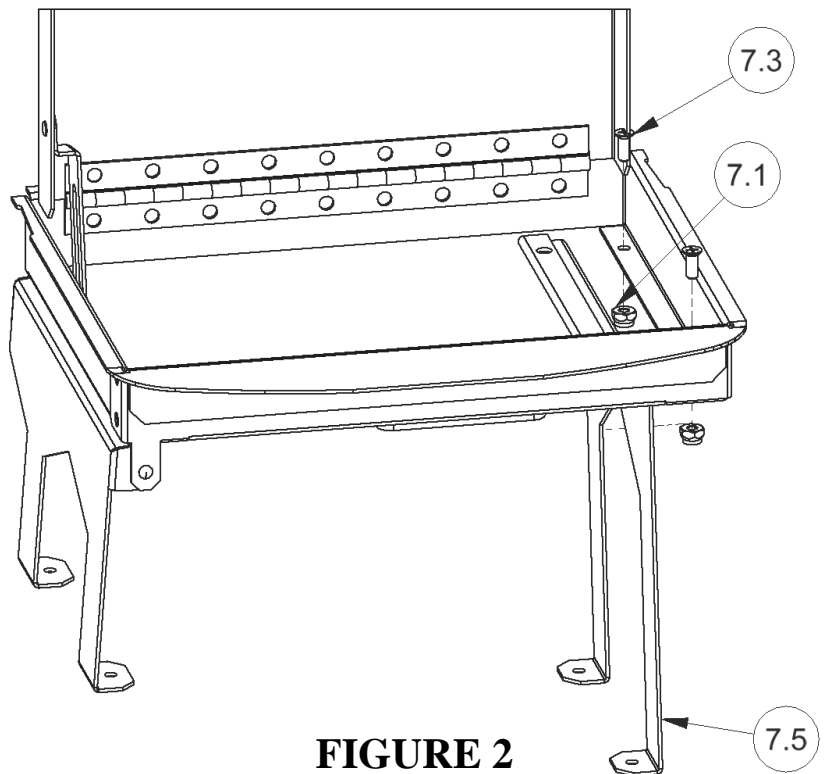


FIGURE 2
(Factory console not Shown for Clarity)

7. **Figure 3:** With the left leg fully extended and right leg attached, install the #7.6 Left and #7.7 Right Mounting Brackets using (4) #7.2 screws.

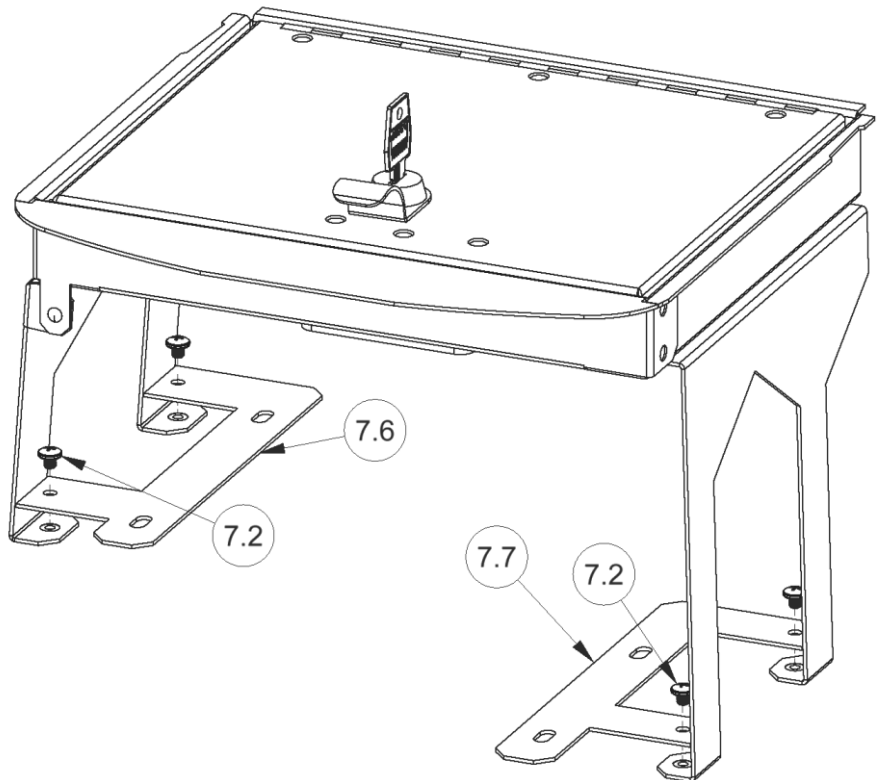
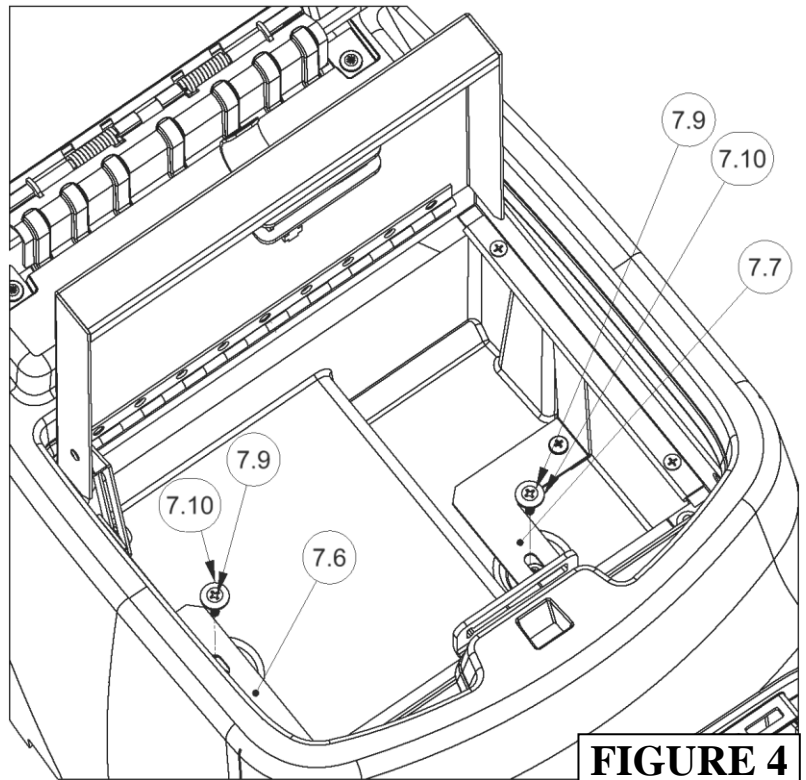


FIGURE 3
(Factory console not Shown for Clarity)

8. **Figure 4:** Insert the (4) #7.9 Screws through the holes in the #7.6 and #7.7 Mounting Brackets and into the base of the factory console floor.
NOTE: Do not overtighten hardware, stop tightening once the #7.6 and #7.7 Bottom Plates begin to deflect into the cavity.



9. **Figure 5:** Assemble the lid support hardware (Found in the Key Bag). Tighten the hardware in small increments so that the lid remains supported (usually self-supporting at a 45-degree lid angle).
NOTE: One of the #7.8.3 Nylon Washers (shown to the left of the slotted arm) slips between the slotted arm and the stationary frame.

NOTE: Over time, the friction that holds the lid in the open position may be reduced. To increase the friction, it is necessary to tighten the assembly. Tighten in small increments as required, **removal of the Console Safe should not be necessary.**

