

SIDE RAIL CLAMPING FOR THE 2022 AND NEWER TOYOTA TUNDRA W/O DECK RAIL SYSTEM

The 2022 and newer Toyota Tundra truck beds without the deck rail system will require these special clamps. Please review the clamping instructions below along with steps 1 thru 3 in the main Installation manual.

Clamping Locations and Clamping Procedure for The Deuce Underbody Rails and Deuce Side Rails.

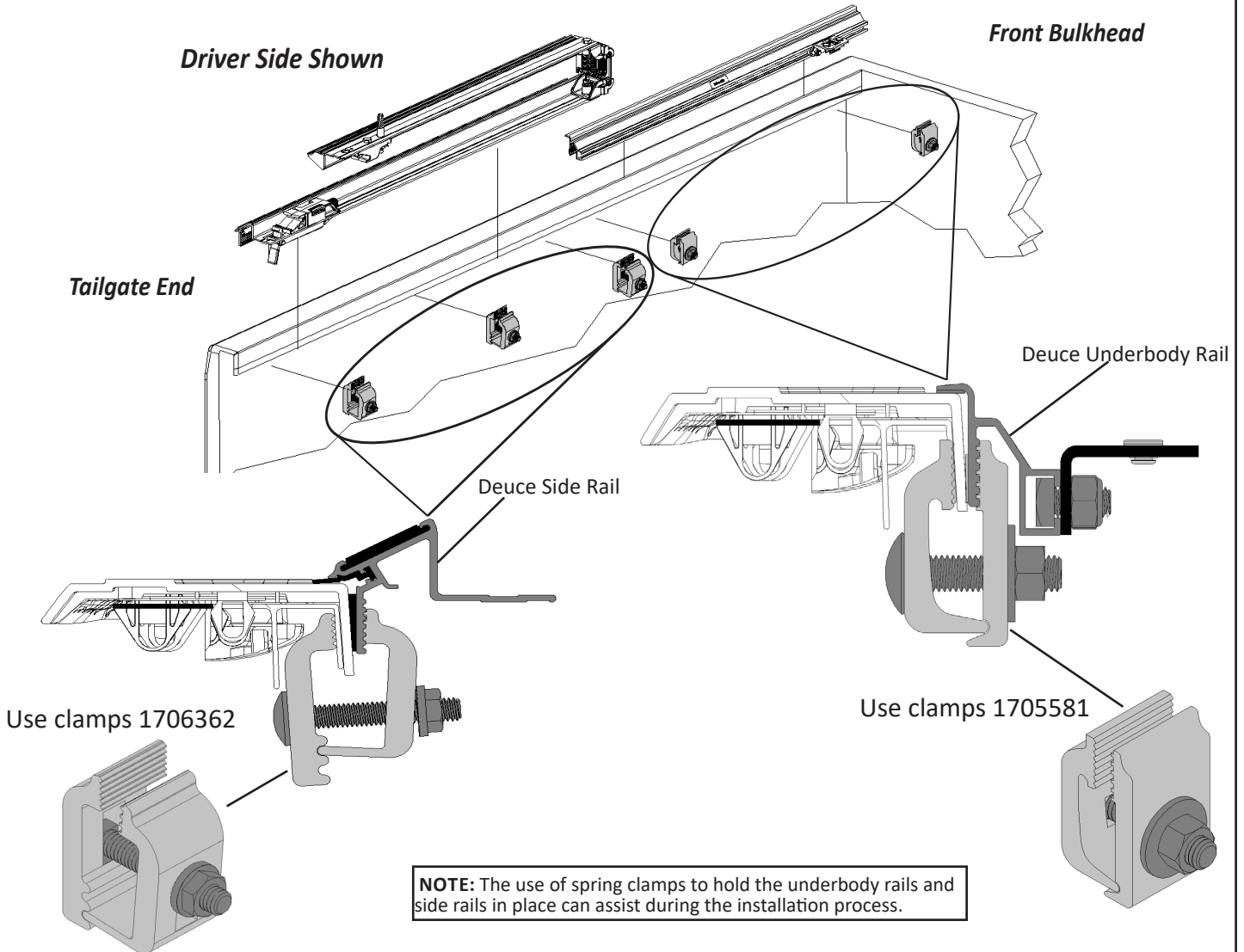
Attach the underbody rails first, review steps 1 thru 2 in the main installation manual to do this. Use clamps 1705581 to attach the underbody rails. Next, evenly space 3 clamps along the side rails, refer to step 3 in the main installation manual for extra guidance. Finger tighten the clamps, making sure the teeth properly engage with the grooves of the side rail. Tighten clamps 1706362 with a 1/2" socket or wrench. Tighten clamps 1705581 with a 9/16" socket. Repeat this step for the passenger underbody rail and side rail. Make sure all clamps are tightened properly before operating vehicle.

TOOLS REQUIRED:

- 1/2" wrench or socket used for clamps 1706362.
- 9/16" wrench or socket used for clamps 1705581.

TOOLS RECOMMENDED:

- Spring clamps



Continue to step four in the main Installation manual for final installation and operating instructions.