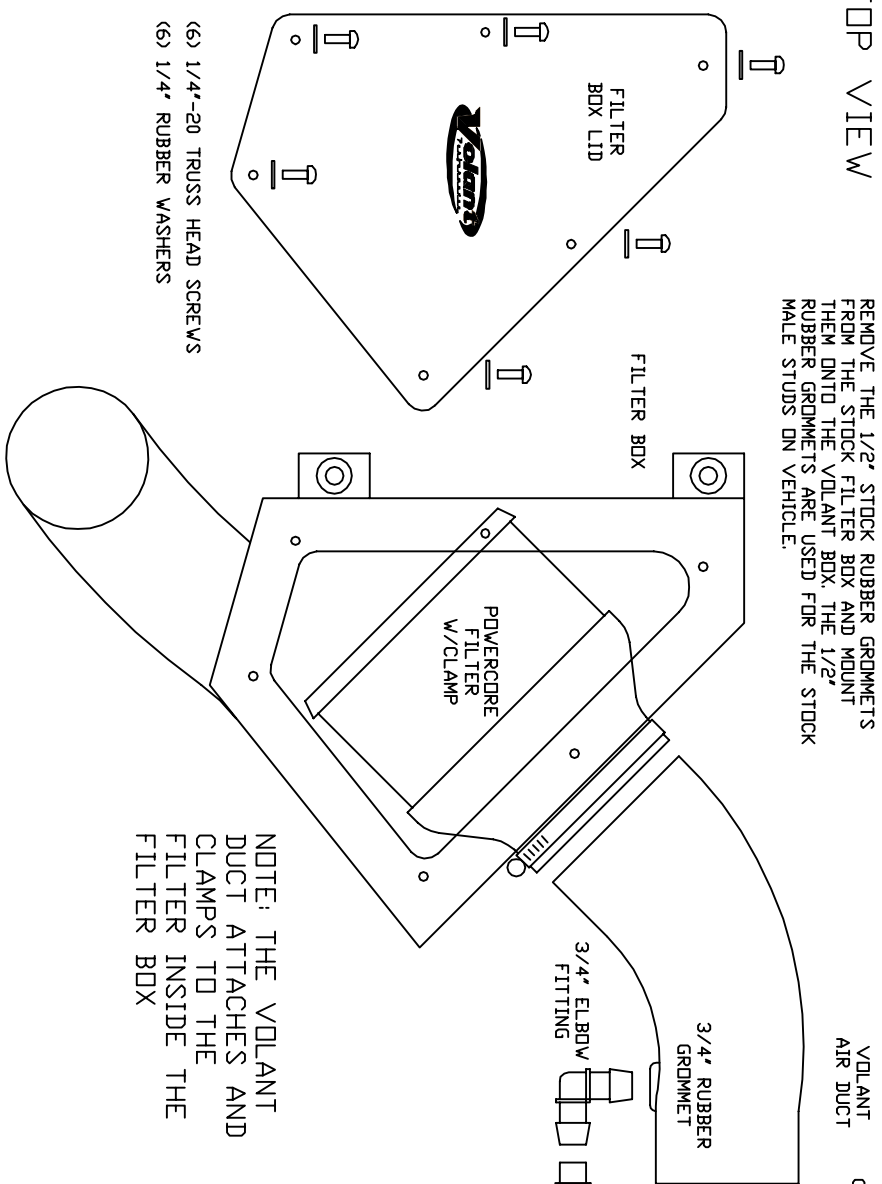


VOLANT AIR INTAKE SYSTEMS
 PART NO.: 168576
 INSTALLATION INSTRUCTIONS
 WWW.VOLANTPERFORMANCE.COM
 TECH SUPPORT: (909) 476-7225

168576 PARTS LIST			
1	FILTER BOX	6	1/4" RUBBER WASHERS
1	FILTER BOX LID	1	3/4" RUBBER GROMMET
1	VOLANT AIR DUCT	1	3/4" ELBOW FITTING
1	POWERCORE FILTER W/CLAMP	1	3/4" END CAP
1	4" X 3" SLEEVE	1	3/4" X 6" BREATHER HOSE
2	#064 CLAMPS		
6	1/4"-20 TRUSS HEAD SCREWS		

TOP VIEW



REMOVE THE 1/2" STOCK RUBBER GROMMETS FROM THE STOCK FILTER BOX AND MOUNT THEM INTO THE VOLANT BOX. THE 1/2" RUBBER GROMMETS ARE USED FOR THE STOCK MALE STUDS ON VEHICLE.

(6) 1/4"-20 TRUSS HEAD SCREWS
 (6) 1/4" RUBBER WASHERS

FDR ACCESSORY SCOOP

NOTE: THE VOLANT DUCT ATTACHES AND CLAMPS TO THE FILTER INSIDE THE FILTER BOX

NOTE: ON 2002-03 MODELS, THE BREATHER HOSE IS NON EXISTENT, THEREFORE, PLACE THE 3/4" ELBOW FITTING.

NOTE: ON 2004 MODELS, ATTACH THE 3/4" SILICONE BREATHER HOSE PROVIDED BETWEEN THE THE 3/4" ELBOW FITTING AND THE RESONATOR BOX.

