



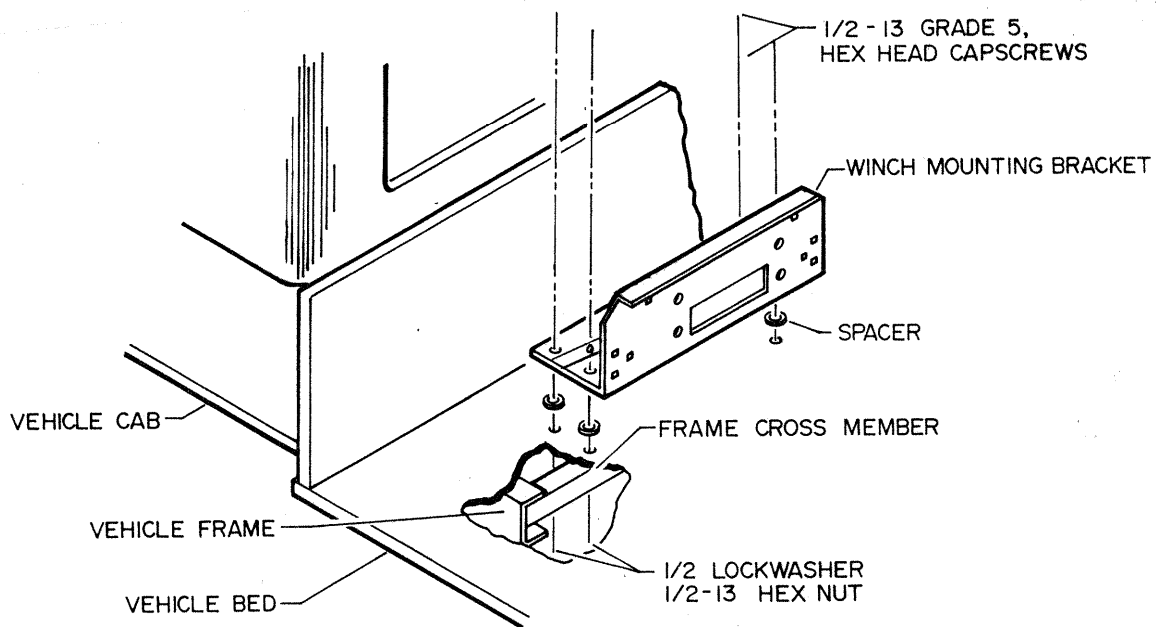
INSTALLATION INSTRUCTIONS

Universal Winch Mounting Bracket for mounting WARN Winches

PARTS LIST

PART NO.	QUANTITY	DESCRIPTION
30049	1	WINCH MOUNTING BRACKET
3693	4	SPACER

1. Locate the winch in the desired position on the bed of the vehicle. The location should be such a position that the mounting bolts will go through a cross member of the frame, otherwise additional cross members should be installed for support of the winch.
2. Drill four 1/2 inch diameter holes thru the vehicle bed and cross members using the winch mounting bracket as a guide.
3. Place spacers at the four mounting holes between the winch mounting bracket and the vehicle bed. Secure mounting bracket and spacers to the vehicle bed with four 1/2 inch bolts, lock washers and nuts. Torque to 75 lb. ft (10Kg.M). (See Illustration)



4. Install the winch on the mounting bracket as described in the winch installation instructions.